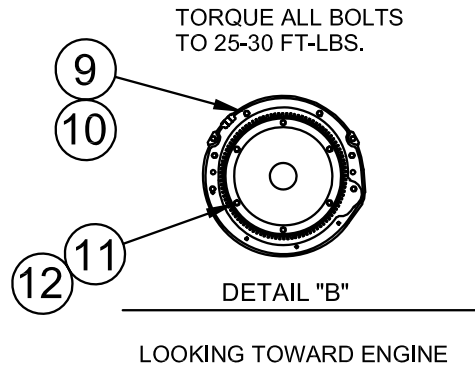
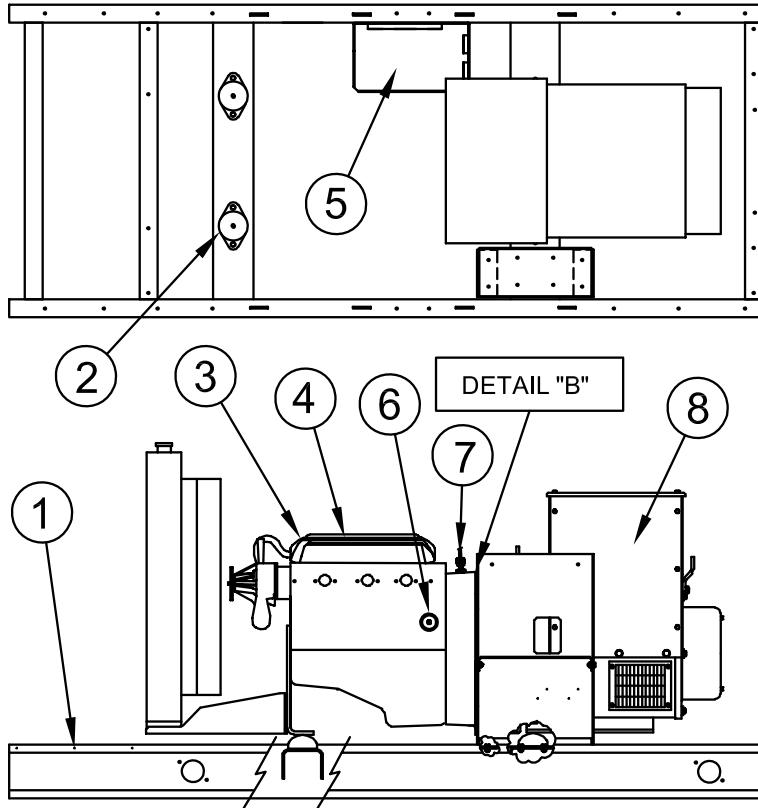




ILLUSTRATED PARTS LIST

PSS38LS-3/A
PSS38LS-4/A
PSS38LS-17/A
PSS38LS-18/A

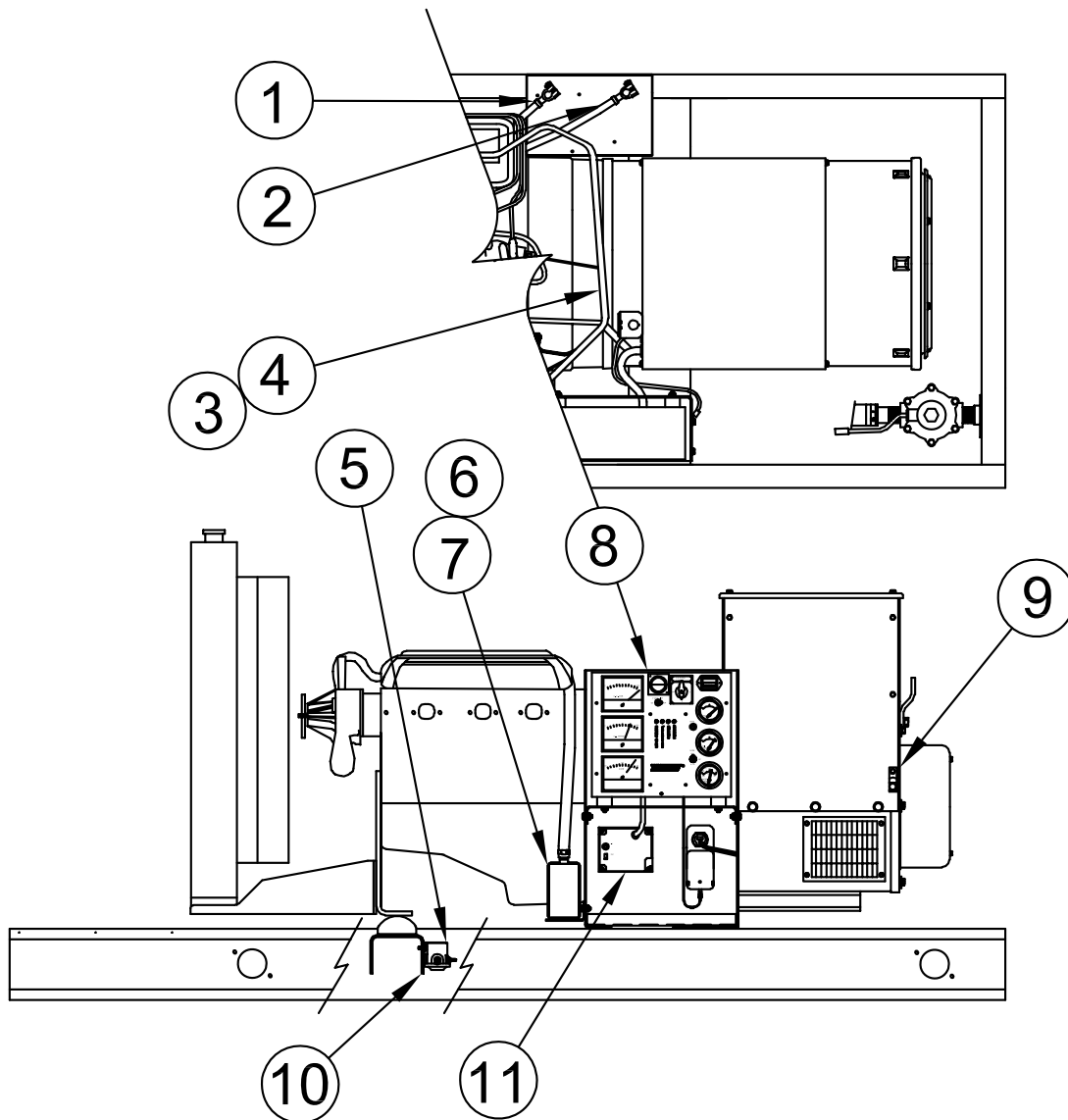
GENERATOR ASSEMBLY



REF #	PART NUMBER	QTY	DESCRIPTION
1	99381-009	1	Base
2	98956-001	4	Shock Mount
3	99265-000	1	Water Temperature Sender
4	350002-10	1	Engine GM 4.3 Liter
5	93569-001	1	Battery Tray
6	99267-001	1	Oil Pressure Sender
7	350101-1	1	Magnetic Pick-up
8	SEE TABLE	1	Generator
9	94282-035	6	M6-1.5 X 35 Bolt
10	97436-010	6	10 mm Lock Washer
11	96000-007	6	3/8"-16 X 2 1/4" Bolt
12	526-000	6	Flat Washer
NI	41-932	6*	Spark Plug
NI	PF-47	1*	Oil Filter
NI	Not Illustrated		
*	AC Delco Part #		

MODEL #	STAMFORD NEWAGE MODEL #	WINCO PART #
PSS38LS-3/ANG PSS38LS-3/ALP PSS38LS-3/ALPG	UCI224C 4-LEAD	350685-11
PSS38LS-4/ANG PSS38LS-4/ALP PSS38LS-4/ALPG PSS38LS-17/ANG PSS38LS-17/ALP PSS38LS-17/ALPG PSS38LS-18/ANG PSS38LS-18/ALP PSS38LS-18/ALPG	UCI224C 12-LEAD	350685-1

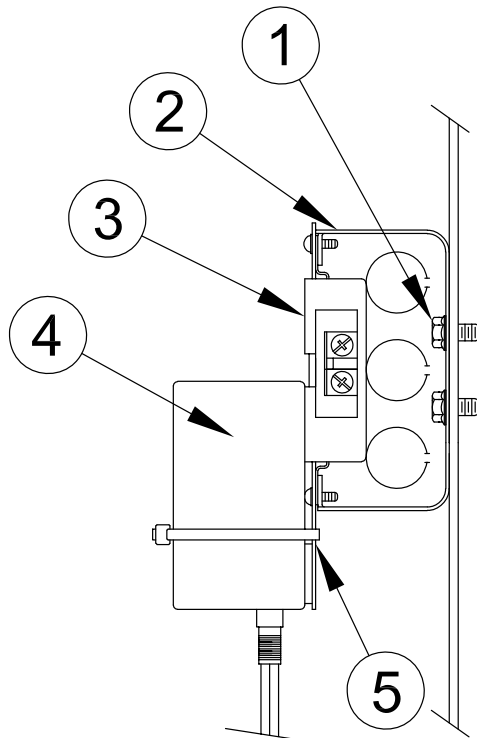
ELECTRICAL ASSEMBLY



REF #	PART NUMBER	QTY	DESCRIPTION
1	53220-056	1	Positive (+) Battery Cable
2	53220-067	1	Negative (-) Battery Cable
3	99723-000	1	ECM Harness Assembly
4	99724-000	Ref.	ECM Harness Install.
5	80980-000	1	Start Solenoid
6	350087-2	1	Tank Heater 1000W 120V
7	93689-001	73"	5/8" Heater Hose
8	SEE TABLE	1	Control Box Assembly
9	48042-000	1	Ground Lug
10	55440-000	2	Self-tapping Screw
11	99673-001	1	Governor Control

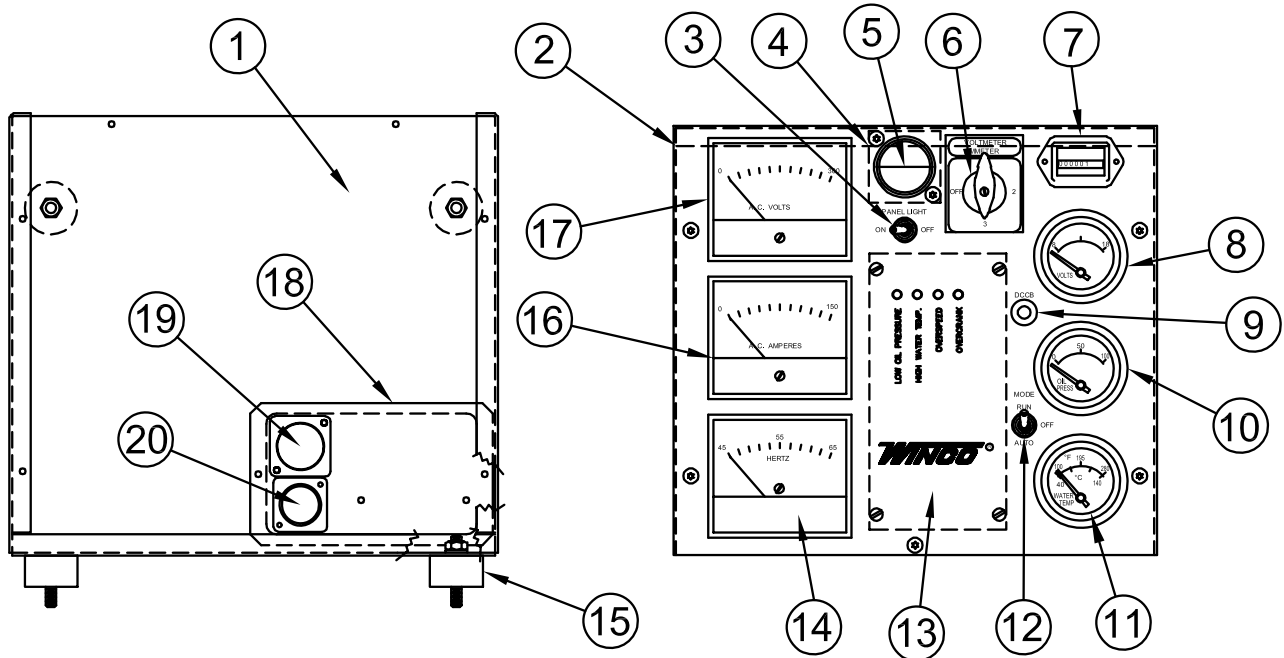
MODEL #	PART #
PSS38LS-3/B	99685-005
PSS38LS-4/B PSS38LS-17/B	99685-006
PSS38LS-18/B	99685-007

BATTERY TENDER ASSEMBLY



REF #	PART NUMBER	QTY	DESCRIPTION
1	52644-000	2	Self-tapping Screw
2	92789-000	1	Conduit Box
3	24749-000	1	Duplex Receptacle
4	16287-000	1	Battery Tender
5	59026-001	1	Recpt. Cover Plate

CONTROL BOX ASSEMBLY



REF #	PART NUMBER	QTY	DESCRIPTION
1	99056-000	1	Rear Panel
2	99055-001	1	Front Panel
3	71215-001	1	SPST Toggle Switch
4	95807-000	1	License Light
5	99297-000	1	Backing Plate
6	SEE TABLE	1	Voltmeter, Ammeter Switch
7	58166-006	1	Running Time Meter
8	99268-000	1	DC Voltmeter
9	91286-000	1	15 Amp Breaker
10	99266-000	1	Oil Pressure Gauge
11	99264-000	1	Temperature Gauge
12	71216-001	1	DPDT Toggle Switch
13	64813-400	1	Engine Control Module
14	99272-002	1	Frequency Meter
15	71605-003	4	Shock Mount
16	SEE TABLE	1	Ammeter
17	SEE TABLE	1	Voltmeter
18	99343-000	1	Connector Backing Plate
19	96925-002	1	Connector
20	96925-005	1	Connector

NI
NI

SEE TABLE
Not Illustrated

2 or 3

Current Transformer

MODEL #	PART NUMBER	DESCRIPTION
PSS38LS-3/B	99003-001	VOLTMETER, AMMETER SWITCH
PSS38LS-4/B PSS38LS-17/B PSS38LS-18/B	99003-000	VOLTMETER, AMMETER SWITCH

MODEL #	PART NUMBER	DESCRIPTION
PSS38LS-3/B	99271-003	AMMETER
PSS38LS-4/B PSS38LS-17/B	99271-002	AMMETER
PSS38LS-18/B	99271-006	AMMETER

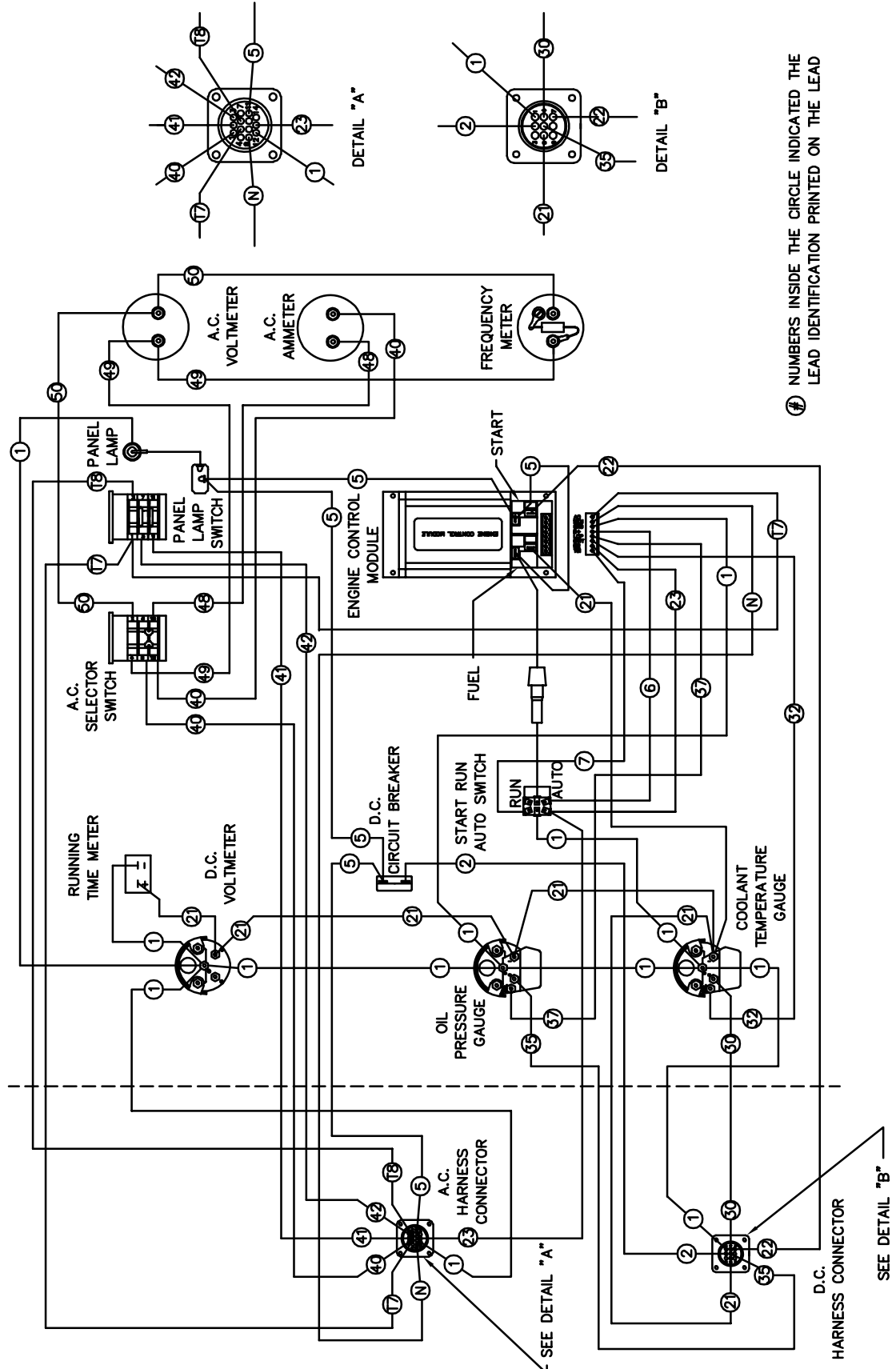
MODEL #	PART NUMBER	DESCRIPTION
PSS38LS-18/B	99270-002	VOLTMETER
PSS38LS-3/B PSS38LS-4/B PSS38LS-17/B	99270-003	VOLTMETER

MODEL #	PART NUMBER	DESCRIPTION	QTY
PSS38LS-3/B	80124-005	CURRENT TRANSFORMER	2
PSS38LS-4/B PSS38LS-17/B	80124-004	CURRENT TRANSFORMER	3
PSS38LS-18/B	80124-002	CURRENT TRANSFORMER	3

WINGO INC[®]
A Division of DTE Dyna Technology Inc

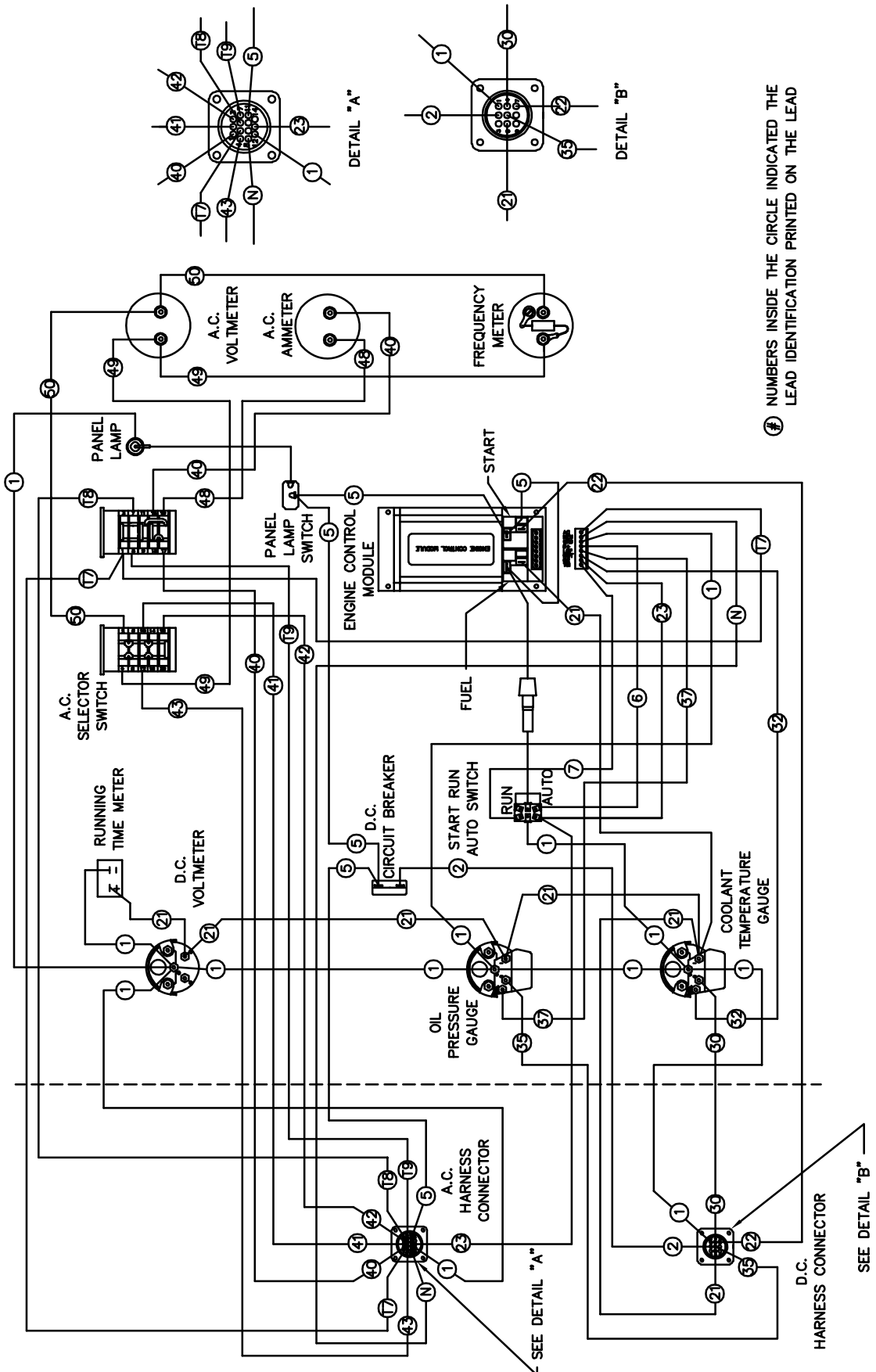
225 S. CORDOVA AVE.
LECENTER, MN 56057
507-357-6821
SERVICE DEPT.
507-357-6831

CONTROL PANEL WIRING DIAGRAM SINGLE PHASE



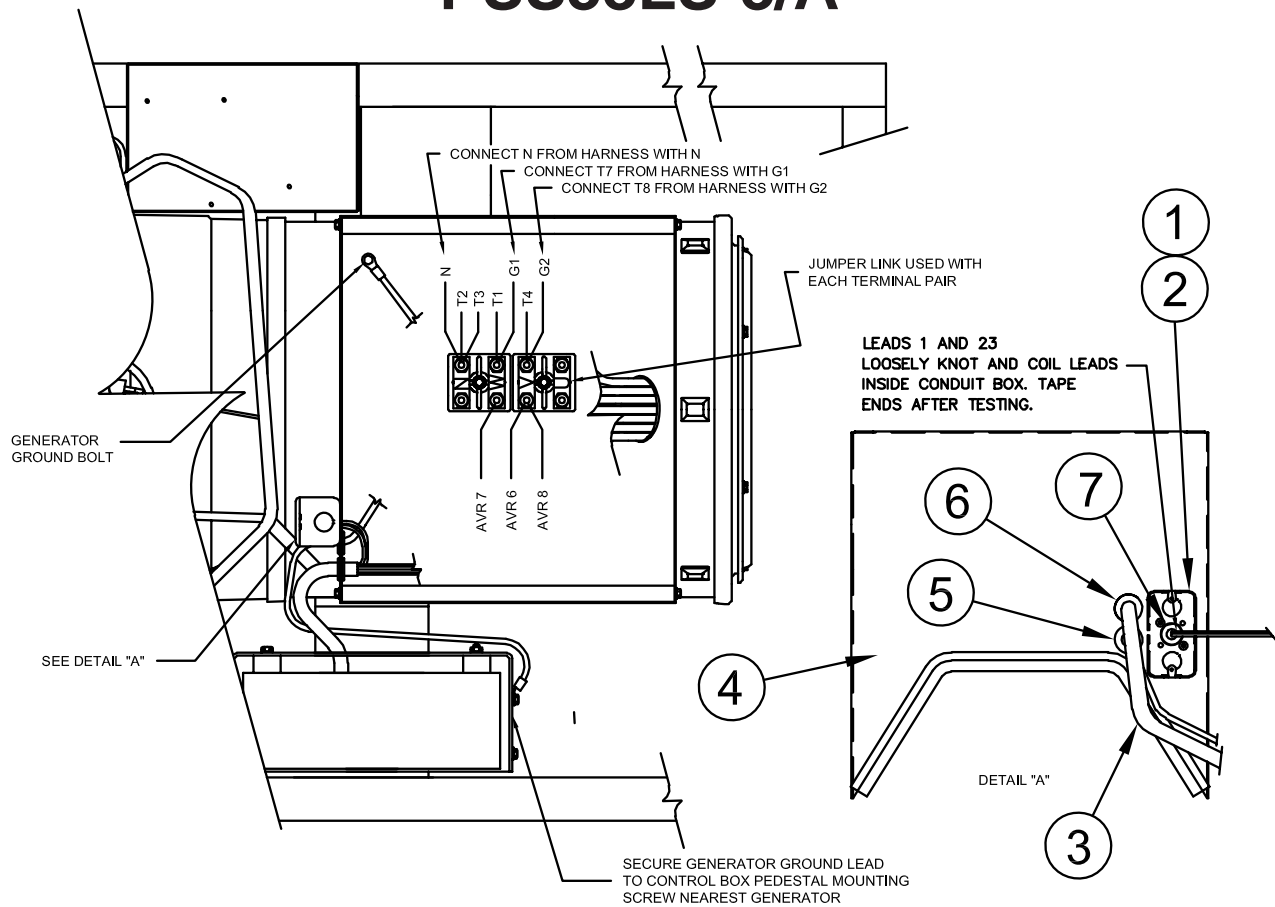
NUMBERS INSIDE THE CIRCLE INDICATED THE LEAD IDENTIFICATION PRINTED ON THE LEAD

CONTROL PANEL WIRING DIAGRAM THREE PHASE



Ⓢ NUMBERS INSIDE THE CIRCLE INDICATED THE LEAD IDENTIFICATION PRINTED ON THE LEAD

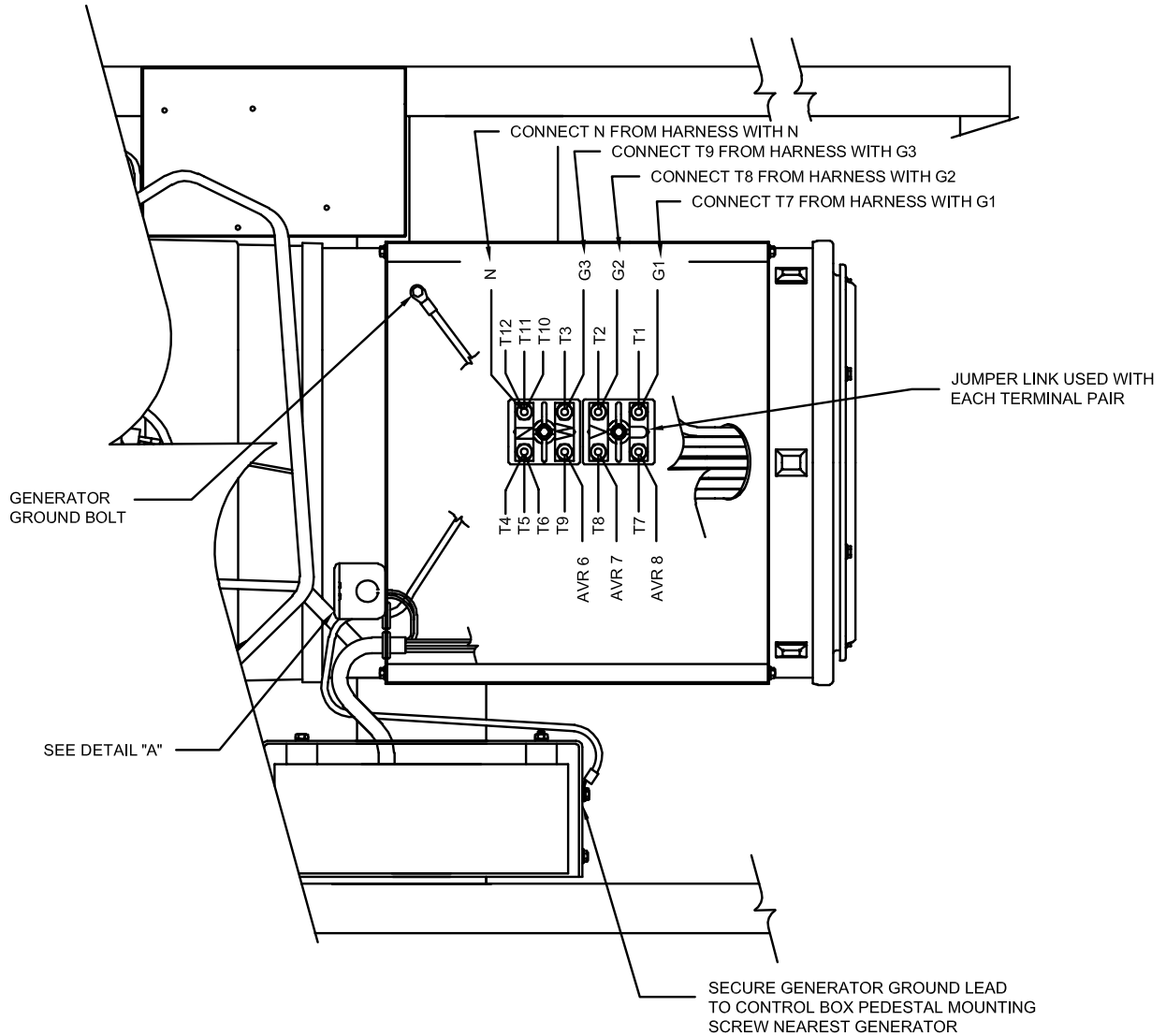
AC WIRING INSTALLATION PSS38LS-3/A



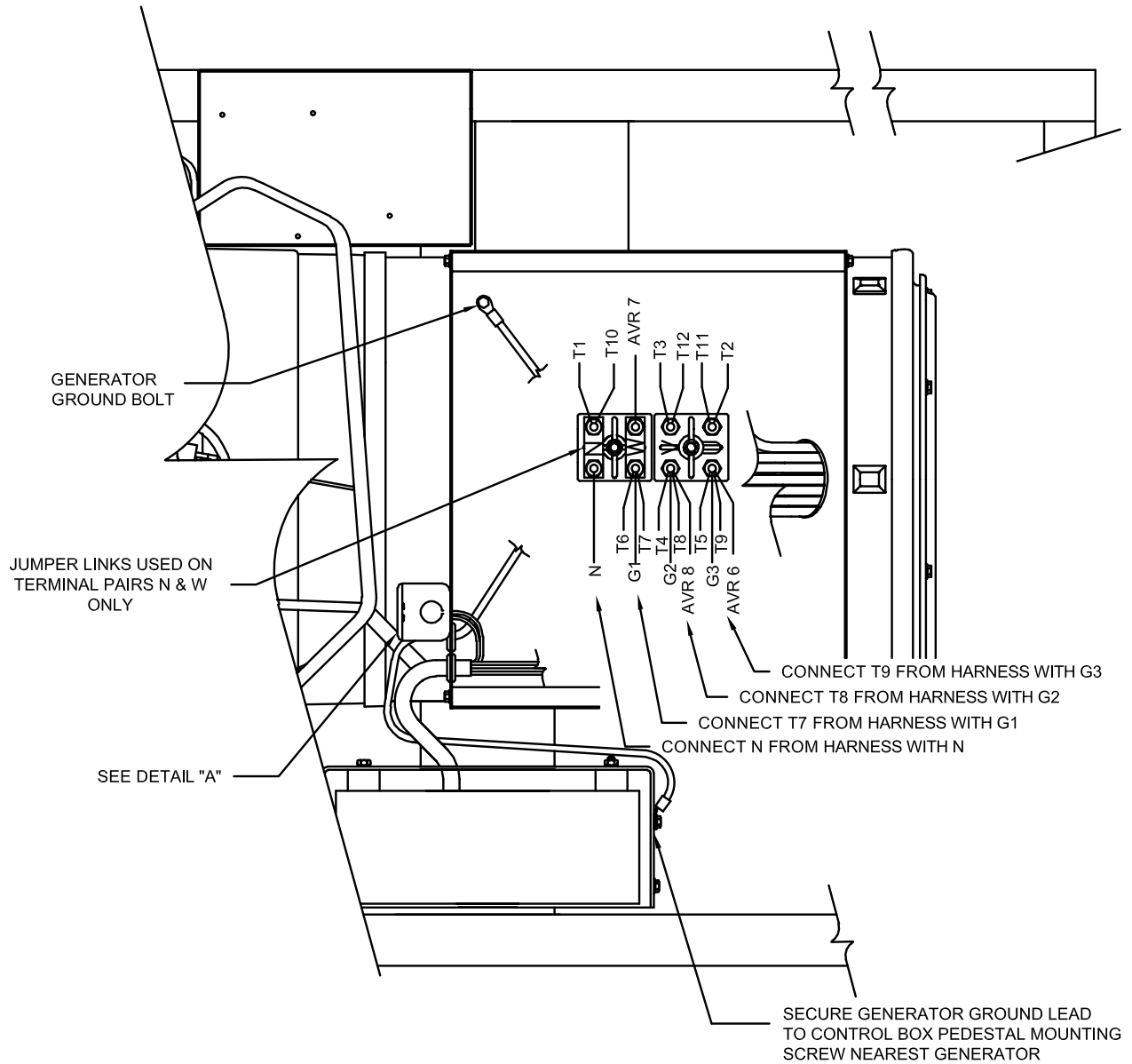
REF #	PART NUMBER	QTY	DESCRIPTION
1	92789-000	1	Conduit Box
2	59026-000	1	Conduit Box Cover
3	SEE TABLE	1	AC Harness Assembly
4	99731-005	1	Panel
5	23917-000	1	Grommet
6	62486-000	1	Grommet
7	40730-000	1	Grommet
NI	350818	1	Voltage Regulator SX460
NI	Not Illustrated		

MODEL #	PART #
PSS40LS-3/B	99347-004
PSS40LS-4/B PSS40LS-17/B PSS40LS-18/B	99347-005

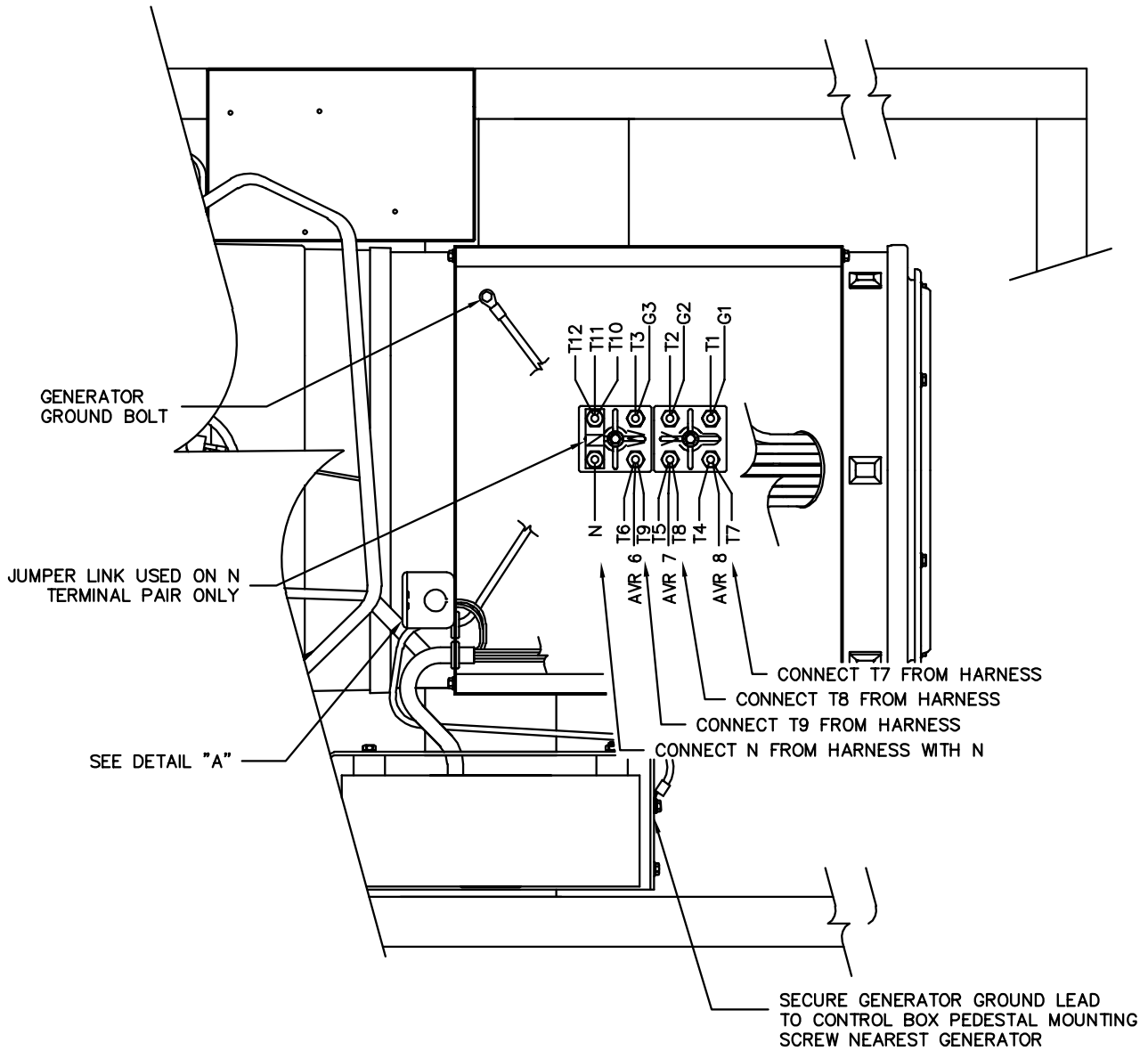
AC WIRING INSTALLATION PSS38LS-4/A



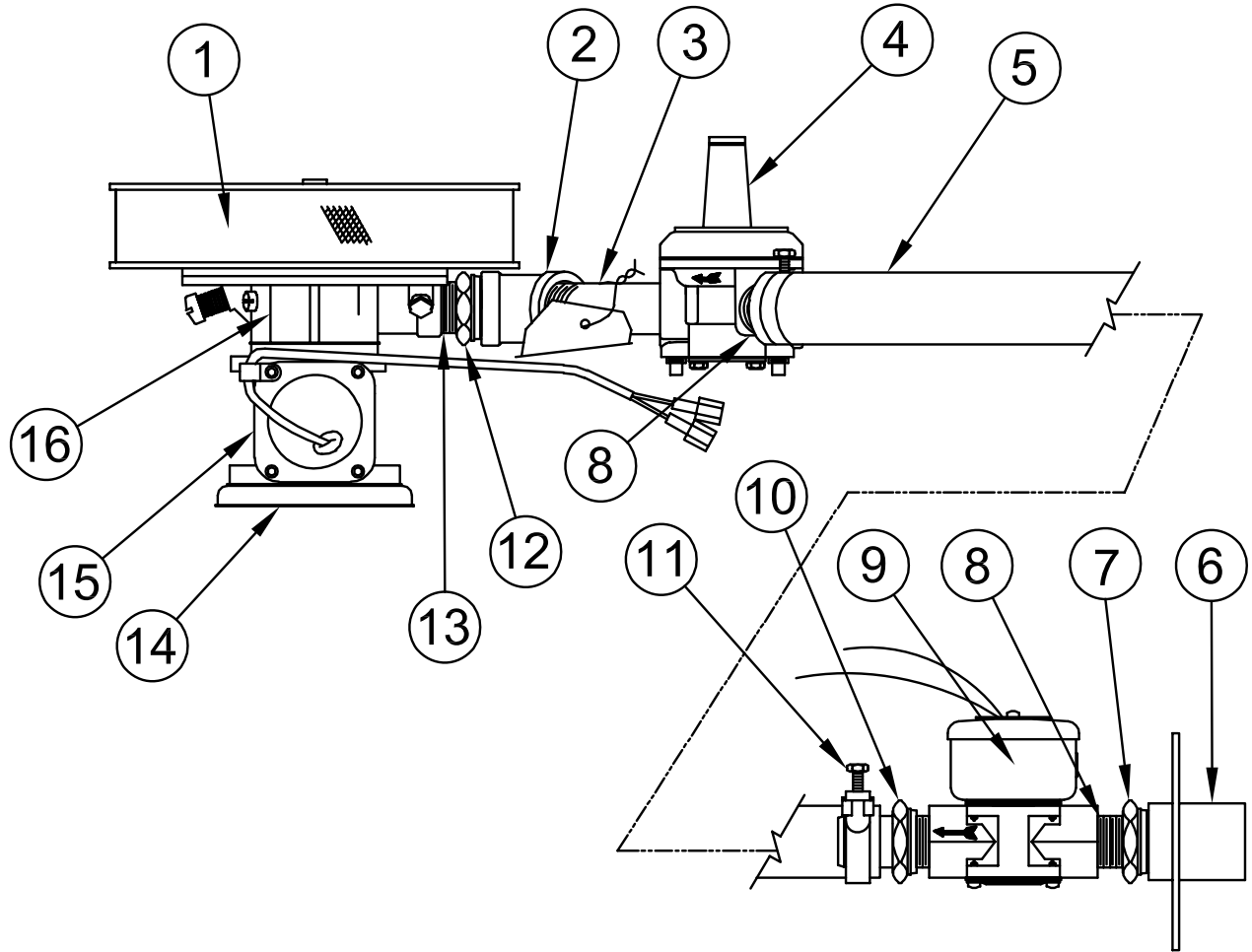
AC WIRING INSTALLATION PSS38LS-17/A



AC WIRING INSTALLATION PSS38LS-18/A

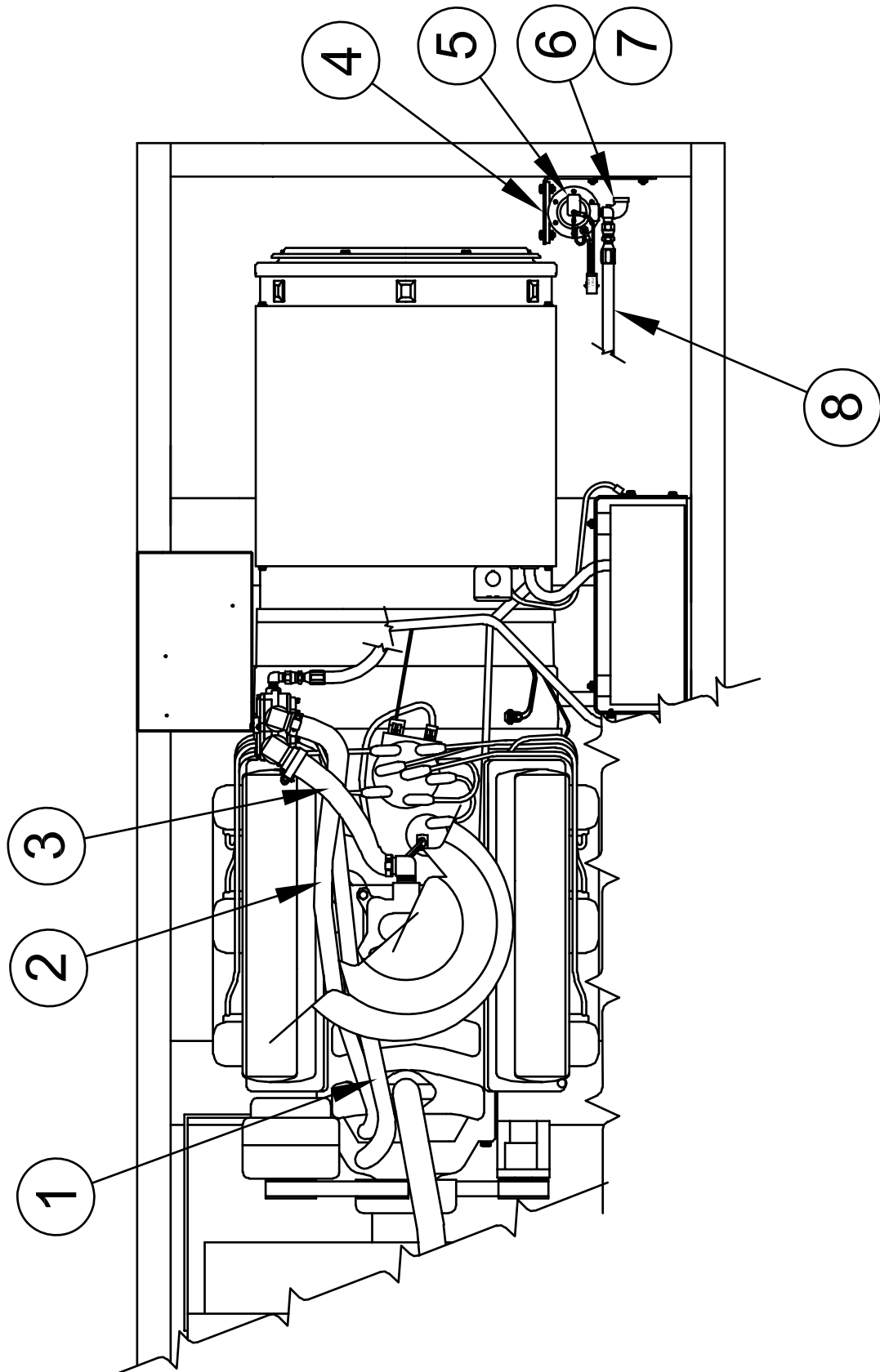


VAPOR FUEL SYSTEM ASSEMBLY

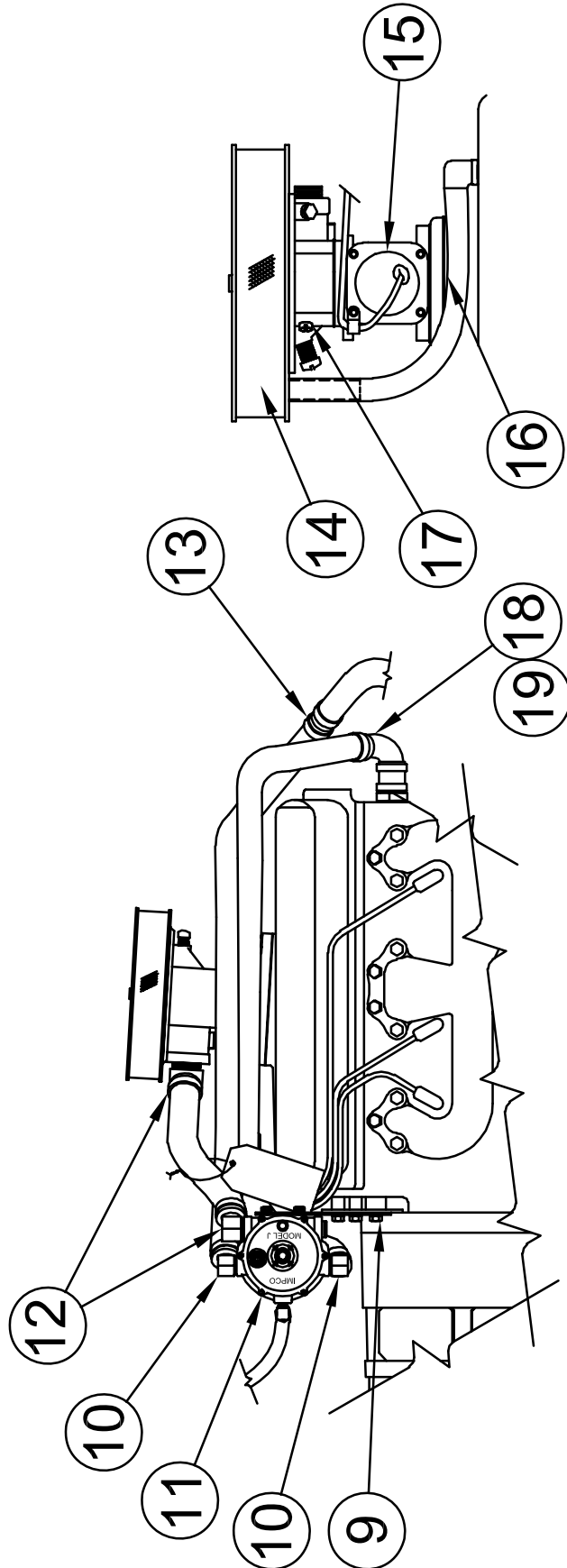


REF #	PART NUMBER	QTY	DESCRIPTION
1	F1-8	1*	Air Filter
2	56896-000	1	3/4" 45° Elbow
3	54074-001	1	3/4" X 3 1/2" Pipe Nipple
4	50248-000	1	Regulator
5	49409-013	1	1" I.D. Hose
6	99065-000	1	Fuel Inlet Weldment
7	81077-000	1	Bushing 1" M 3/4" F
8	22626-000	1	3/4" Pipe Nipple
9	42942-000	1	Fuel Solenoid
10	92388-004	2	3/4" NPT X 1" Hose Fitting
11	50245-000	2	Clamp
12	81075-000	1	1/2" F X 3/4" M Pipe Bushing
13	22768-000	1	1/2" Pipe Nipple
14	350134-1	1	Intake Manifold Adapter
15	350486	1	Governor Actuator
16	350495	1	Fuel Mixer
*	Impco Part #		

LP LIQUID WITHDRAWAL FUEL SYSTEM ASSEMBLY



LP LIQUID WITHDRAWAL FUEL SYSTEM ASSEMBLY



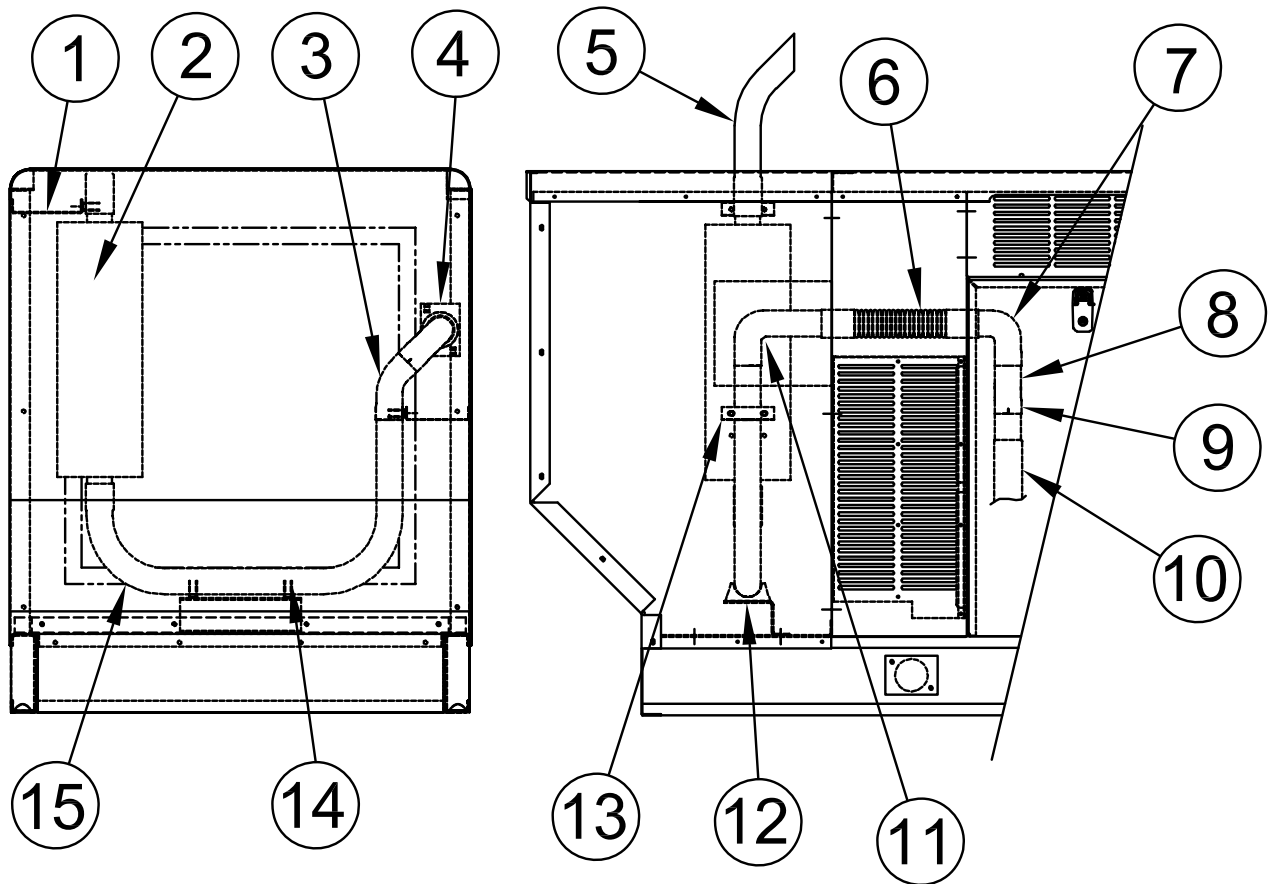
LP LIQUID WITHDRAWAL FUEL SYSTEM ASSEMBLY

REF #	PART NUMBER	QTY	DESCRIPTION
1	93689-001	23"	5/8" I.D. Hose
2	93689-001	23"	5/8" I.D. Hose
3	93689-001	11"	5/8" I.D. Hose
4	99085-001	1	Fuel Cover Plate
5	99475-000	1	Solenoid
6	92533-000	1	1/4" 90° Elbow
7	81375-003	1	1/4" X 1 1/2" Nipple
8	92940-007	1	Hose Assembly
9	350217	1	Mounting Bracket
10	92382-000	2	3/8" NPT X 5/8" Hose 90° Brass Elbow
11	81636-000	1	Converter-Regulator
12	92382-001	2	1/2" NPT X 5/8" Hose 90° Brass Elbow
13	62274-001	1	5/8" Hose Coupler
14	F1-8	1*	Air Filter
15	350486	1	Governor Actuator
16	350134-1	1	Intake Manifold Adapter
17	350495	1	Fuel Mixer
18	62274-002	1	90° 5/8" Hose Coupler
19	81018-005	8	Hose Clamp
*	Impco Part #		

DECALS

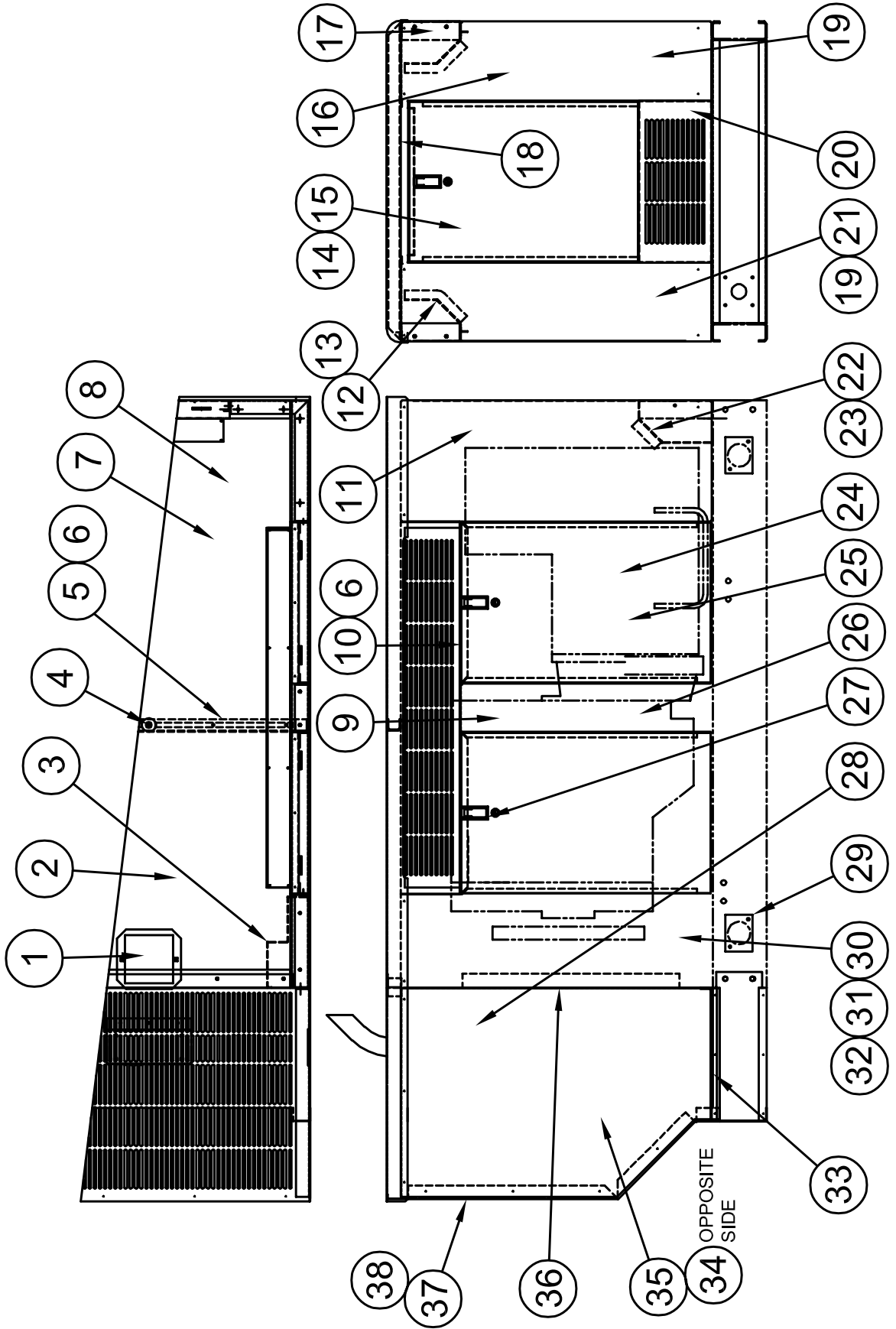
REF #	PART NUMBER	QTY	DESCRIPTION
NI	15750-001	1	Ground Decal
NI	97813-000	3	Auto Start Warning
NI	15209-000	1	Warning Decal
NI	56596-000	1	Fuel Decal
NI	56597-000	1	Fuel Decal
NI	63941-001	1	Hot Surface Decal
NI	64891-001	1	Electrical Code Decal
NI	63941-003	1	Battery Warning Decal
NI	Not Illustrated		

EXHAUST ASSEMBLY



REF #	PART NUMBER	QTY	DESCRIPTION
1	99291-001	1	Exhaust Support
2	80519-001	1	Muffler
3	97761-004	1	45° Elbow 2"
4	99060-002	1	Exhaust Cover Plate
5	99299-000	1	Tail Pipe
6	64743-001	1	Flex Exhaust
7	97761-003	1	90° Elbow 2"
8	97761-005	1	60° Elbow 2"
9	97274-000	11 FT	High Temperature Tape
10	94259-001	4 FT	Safety Wire
11	97761-002	1	90° Elbow 2"
12	99234-000	1	Exhaust Support
13	99291-002	1	Exhaust Support
14	93489-003	10	Muffler Clamp
15	99298-002	1	Exhaust Pipe

HOUSING ASSEMBLY



REF #	PART NUMBER	QTY	DESCRIPTION
1	62026-003	1	Cover Plate
2	99393-416	1	Foam Piece
3	99732-402	1	Reflective Foam Piece
4	62825-011	1	Spacer
5	99225-001	1	Roof Support
6	62912-000	39 FT	Foam Strip
7	99393-421	1	Foam Piece
8	99086-007	1	Roof
9	99066-000	2	Mullion
10	99224-000	4	Door Jam
11	99393-410	2	Foam Piece
12	99103-001	2	Backing Plate
13	99393-417	2	Foam Piece
14	15680-013	1	Rear Door
15	99393-413	1	Door Foam
16	99067-003	1	Right Rear Corner Post
17	99393-408	2	Foam Piece
18	99391-000	1	Roof End
19	99393-410	2	Foam Piece
20	99100-001	1	Rear Sill
21	99067-002	1	Left Rear Corner Post
22	99725-000	1	Sill Backing Plate
23	99393-414	1	Foam Piece
24	15680-009	4	Side Door
25	99393-412	4	Door Foam
26	99393-401	2	Foam Piece
27	95229-004	5	Door Latch
28	99732-403	1	Reflective Foam
29	99060-000	4	Base Cover Plate
30	99071-005	1	Housing Front
31	99732-401	1	Reflective Foam
32	99393-415	1	Foam Piece
33	99223-001	1	Air Chamber Floor
34	99392-003	1	Extension Panel
35	99392-002	1	Extension Panel
36	92421-000	8.67 FT	Foam Strip $\frac{3}{4}$ "
37	99083-001	1	Front Panel
38	99393-406	1	Foam Piece

