



ILLUSTRATED PARTS LIST

PSS40LS-3/B

PSS40LS-4/B

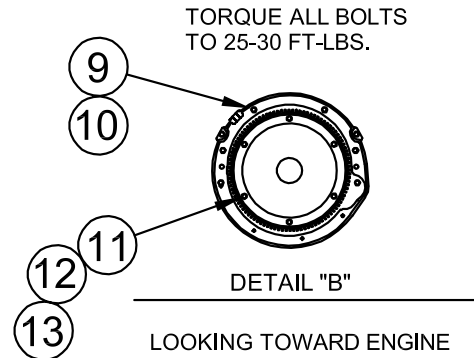
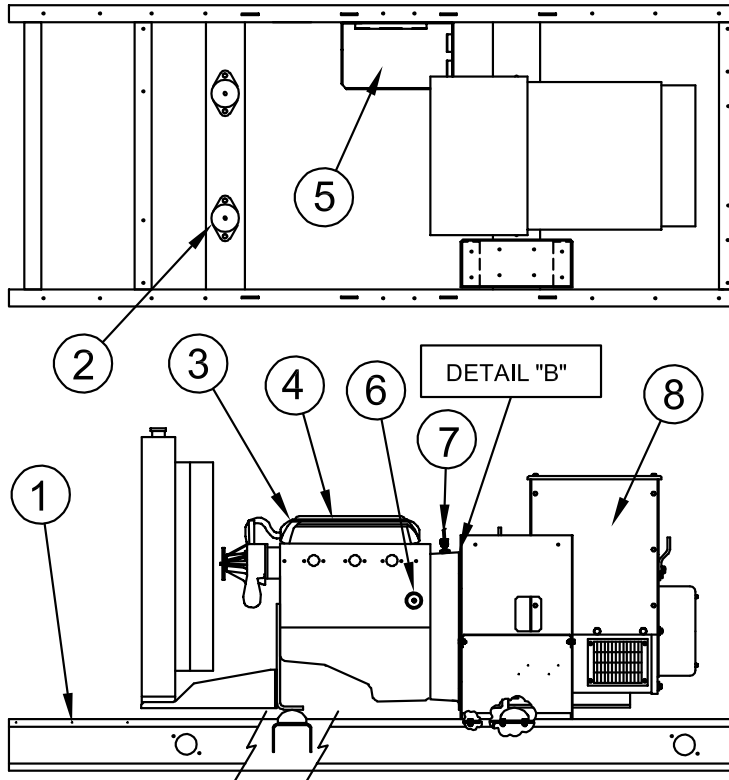
PSS40LS-17/B

PSS40LS-18/B

2002-2003

WINCO INC.
225 S. CORDOVA AVE.
LE CENTER, MN 56057
(507) 357-6821
SERVICE DEPT.
(507) 357-6831
wincogen.com

GENERATOR ASSEMBLY



| REF # | PART NUMBER | QTY | DESCRIPTION |
|-------|-----------------|-----|--------------------------|
| 1 | 99381-013 | 1 | Base |
| 2 | 98956-001 | 4 | Shock Mount |
| 3 | 99265-000 | 1 | Water Temperature Sender |
| 4 | SEE TABLE | 1 | Engine GM 4.3 Liter |
| 5 | 93569-001 | 1 | Battery Tray |
| 6 | 99267-001 | 1 | Oil Pressure Sender |
| 7 | 350101-1 | 1 | Magnetic Pick-up |
| 8 | SEE TABLE | 1 | Generator |
| 9 | 94282-035 | 6 | M6-1.5 X 35 Bolt |
| 10 | 97436-010 | 6 | 10 mm Lock Washer |
| 11 | 96000-004 | 6 | 3/8"-16 X 3/4" Bolt |
| 12 | 526-000 | 6 | Flat Washer |
| 13 | 481-001 | 6 | Lock Washer |
| NI | 41-932 | 6* | Spark Plug |
| NI | PF-47 | 1* | Oil Filter |
| NI | Not Illustrated | | |
| * | AC Delco Part # | | |

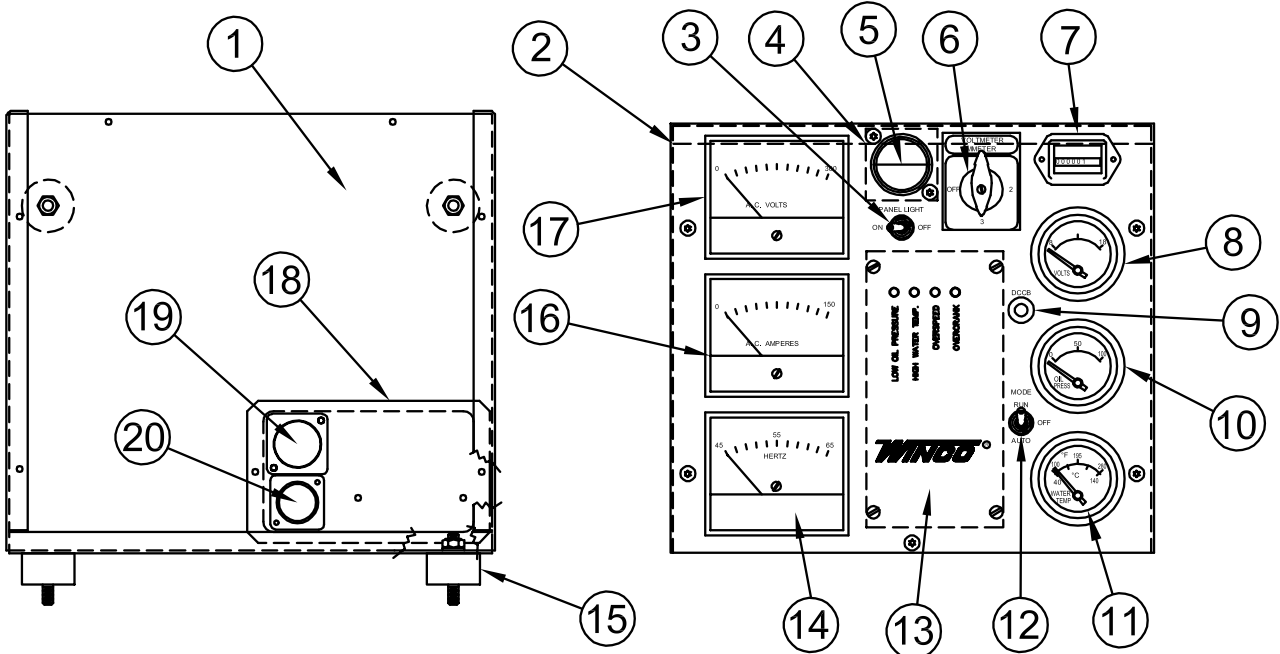
ENGINE TABLE

| MODEL # | PART # |
|--|----------|
| PSS40LS-3/BNG PSS40LS-4/BNG PSS40LS-17/BNG PSS40LS-18/BNG | 350775-4 |
| PSS40LS-3/BLPG PSS40LS-4/BLPG PSS40LS-17/BLPG PSS40LS-18/BLPG | 350775-6 |
| PSS40LS-3/BLP PSS40LS-4/BLP PSS40LS-17/BLP PSS40LS-18/BLP | 350775-5 |

GENERATOR END TABLE

| MODEL # | STAMFORD NEWAGE MODEL # | WINCO PART # |
|--|----------------------------|--------------|
| PSS40LS-3/BNG PSS40LS-3/BLP PSS40LS-3/BLPG | UCI224C 4-LEAD | 350685-11 |
| PSS40LS-4/BNG PSS40LS-4/BLP PSS40LS-4/BLPG PSS40LS-17/BNG PSS40LS-17/BLP PSS40LS-17/BLPG PSS40LS-18/BNG PSS40LS-18/BLP PSS40LS-18/BLPG | UCI224C 12-LEAD | 350685-1 |

CONTROL BOX ASSEMBLY



| REF # | PART NUMBER | QTY | DESCRIPTION |
|-------|-----------------|--------|---------------------------|
| 1 | 99056-000 | 1 | Rear Panel |
| 2 | 99055-001 | 1 | Front Panel |
| 3 | 71215-001 | 1 | SPST Toggle Switch |
| 4 | 95807-000 | 1 | License Light |
| 5 | 99297-000 | 1 | Backing Plate |
| 6 | SEE TABLE | 1 | Voltmeter, Ammeter Switch |
| 7 | 58166-006 | 1 | Running Time Meter |
| 8 | 99268-000 | 1 | DC Voltmeter |
| 9 | 91286-000 | 1 | 15 Amp Breaker |
| 10 | 99266-000 | 1 | Oil Pressure Gauge |
| 11 | 99264-000 | 1 | Temperature Gauge |
| 12 | 71216-001 | 1 | DPDT Toggle Switch |
| 13 | 64813-400 | 1 | Engine Control Module |
| 14 | 99272-002 | 1 | Frequency Meter |
| 15 | 71605-003 | 4 | Shock Mount |
| 16 | SEE TABLE | 1 | Ammeter |
| 17 | SEE TABLE | 1 | Voltmeter |
| 18 | 99343-000 | 1 | Connector Backing Plate |
| 19 | 96925-002 | 1 | Connector |
| 20 | 96925-005 | 1 | Connector |
| NI | SEE TABLE | 2 or 3 | Current Transformer |
| NI | Not Illustrated | | |

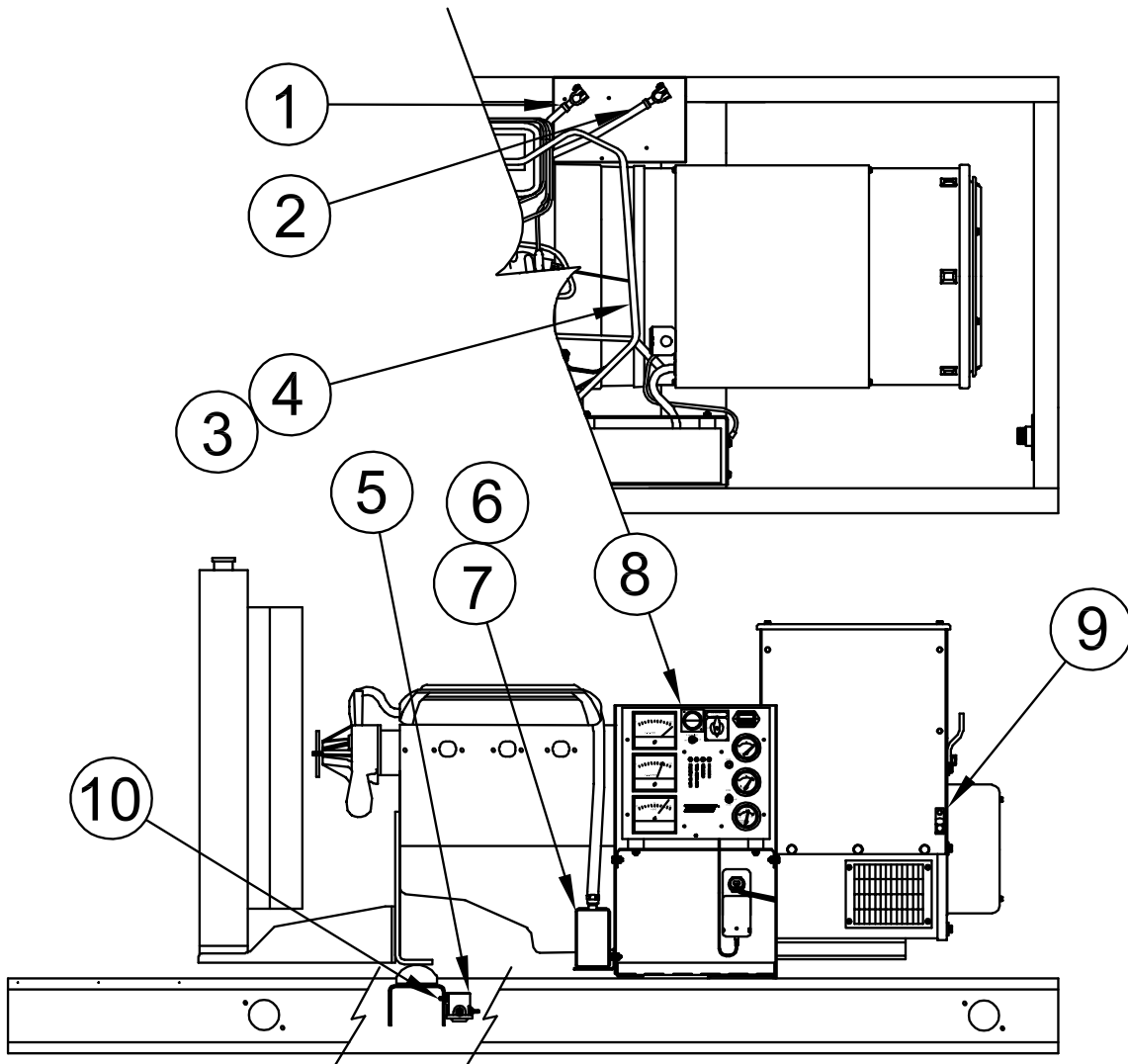
| MODEL # | PART NUMBER | DESCRIPTION |
|---|-------------|------------------------------|
| PSS40LS-3/B | 99003-001 | VOLTMETER, AMMETER SWITCH |
| PSS40LS-4/B PSS40LS-17/B PSS40LS-18/B | 99003-000 | VOLTMETER, AMMETER SWITCH |

| MODEL # | PART NUMBER | DESCRIPTION |
|-----------------------------|-------------|-------------|
| PSS40LS-3/B | 99271-003 | AMMETER |
| PSS40LS-4/B PSS40LS-17/B | 99271-002 | AMMETER |
| PSS40LS-18/B | 99271-006 | AMMETER |

| MODEL # | PART NUMBER | DESCRIPTION |
|--|-------------|-------------|
| PSS40LS-18/B | 99270-002 | VOLTMETER |
| PSS40LS-3/B PSS40LS-4/B PSS40LS-17/B | 99270-003 | VOLTMETER |

| MODEL # | PART NUMBER | DESCRIPTION | QTY |
|-----------------------------|-------------|---------------------|-----|
| PSS40LS-3/B | 80124-005 | CURRENT TRANSFORMER | 2 |
| PSS40LS-4/B PSS40LS-17/B | 80124-004 | CURRENT TRANSFORMER | 3 |
| PSS40LS-18/B | 80124-002 | CURRENT TRANSFORMER | 3 |

ELECTRICAL ASSEMBLY

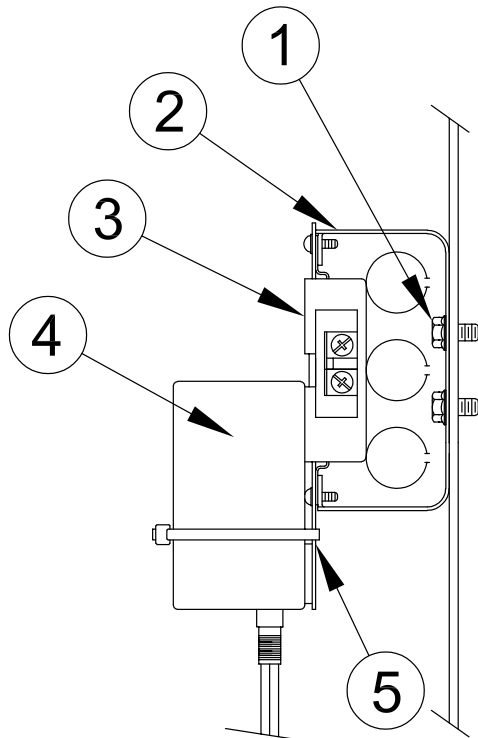


| REF # | PART NUMBER | QTY | DESCRIPTION |
|-------|-------------|------|----------------------------|
| 1 | 53220-056 | 1 | Positive (+) Battery Cable |
| 2 | 53220-067 | 1 | Negative (-) Battery Cable |
| 3 | 99723-003 | 1 | ECM Harness Assembly |
| 4 | 99724-003 | Ref. | ECM Harness Install. |
| 5 | 80980-000 | 1 | Start Solenoid |
| 6 | 350087-2 | 1 | Tank Heater 1000W 120V |
| 7 | 93689-001 | 73" | 5/8" Heater Hose |
| 8 | SEE TABLE | 1 | Control Box Assembly |
| 9 | 48042-000 | 1 | Ground Lug |
| 10 | 55440-000 | 2 | Self-tapping Screw |

CONTROL BOX TABLE

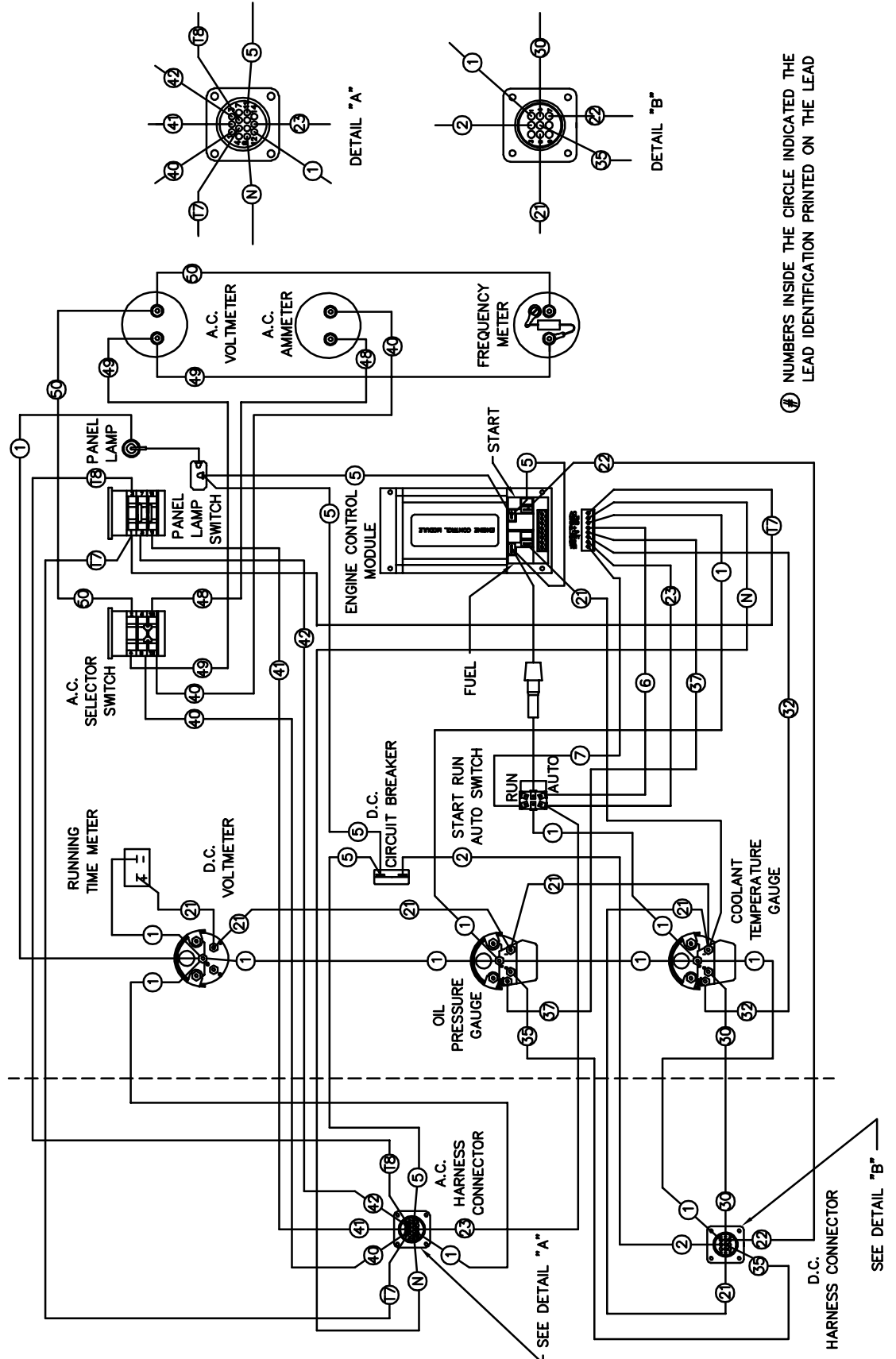
| MODEL # | PART # |
|-----------------------------|-----------|
| PSS40LS-3/B | 99685-005 |
| PSS40LS-4/B PSS40LS-17/B | 99685-006 |
| PSS40LS-18/B | 99685-007 |

BATTERY TENDER ASSEMBLY



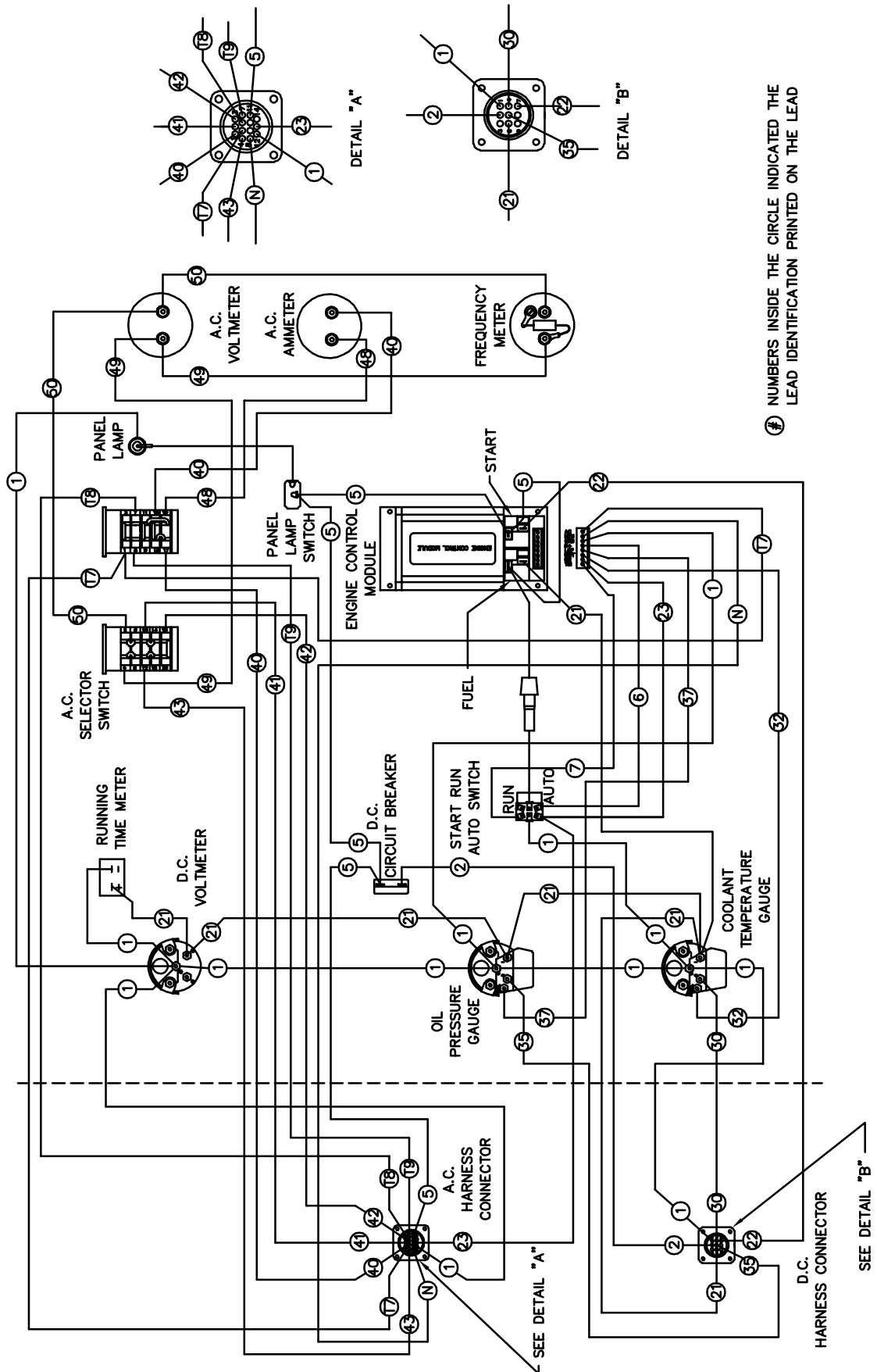
| REF # | PART NUMBER | QTY | DESCRIPTION |
|-------|-------------|-----|--------------------|
| 1 | 52644-000 | 2 | Self-tapping Screw |
| 2 | 92789-000 | 1 | Conduit Box |
| 3 | 24749-000 | 1 | Duplex Receptacle |
| 4 | 16287-000 | 1 | Battery Tender |
| 5 | 59026-001 | 1 | Recpt. Cover Plate |

CONTROL PANEL WIRING DIAGRAM SINGLE PHASE



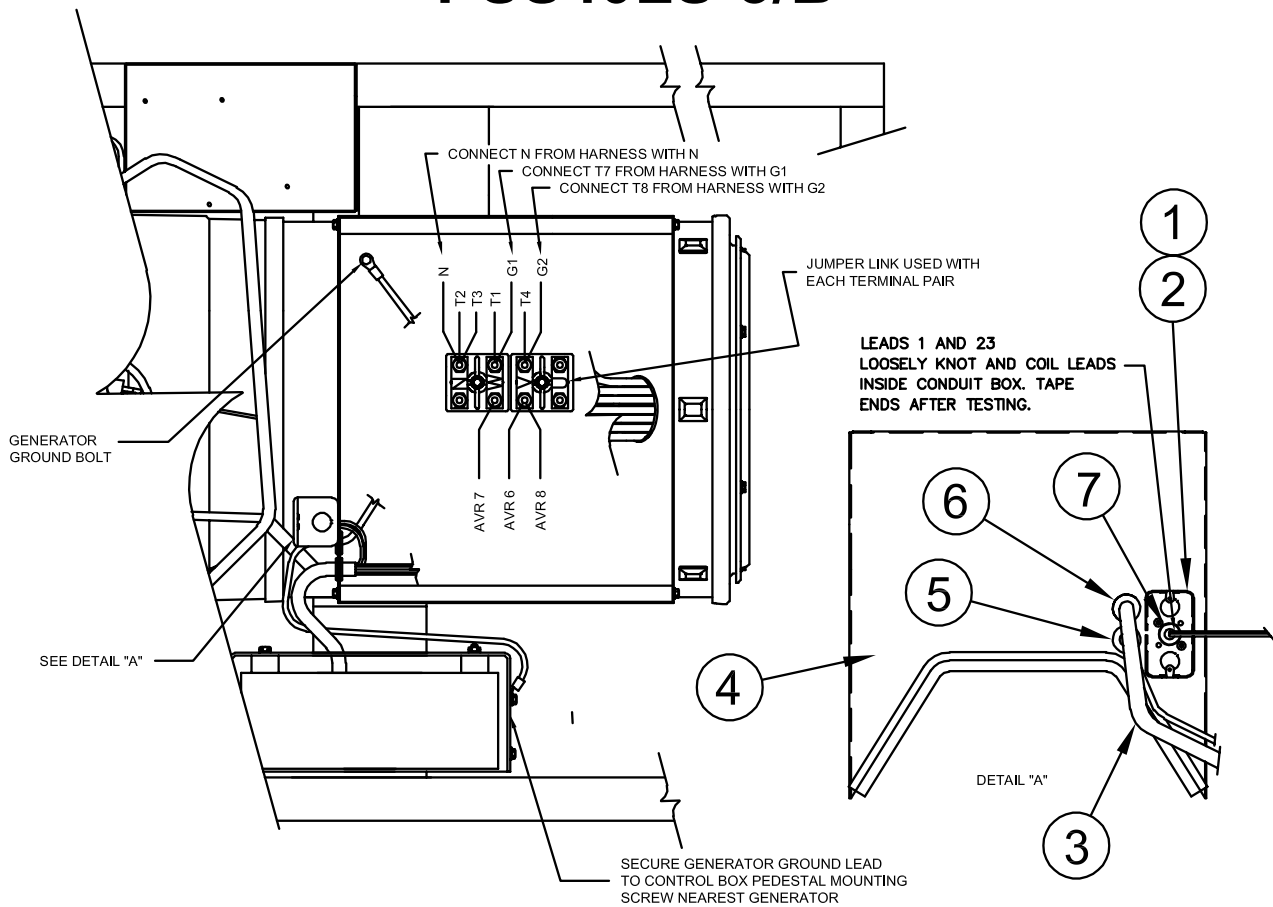
NUMBERS INSIDE THE CIRCLE INDICATED THE LEAD IDENTIFICATION PRINTED ON THE LEAD

CONTROL PANEL WIRING DIAGRAM THREE PHASE



AC WIRING INSTALLATION

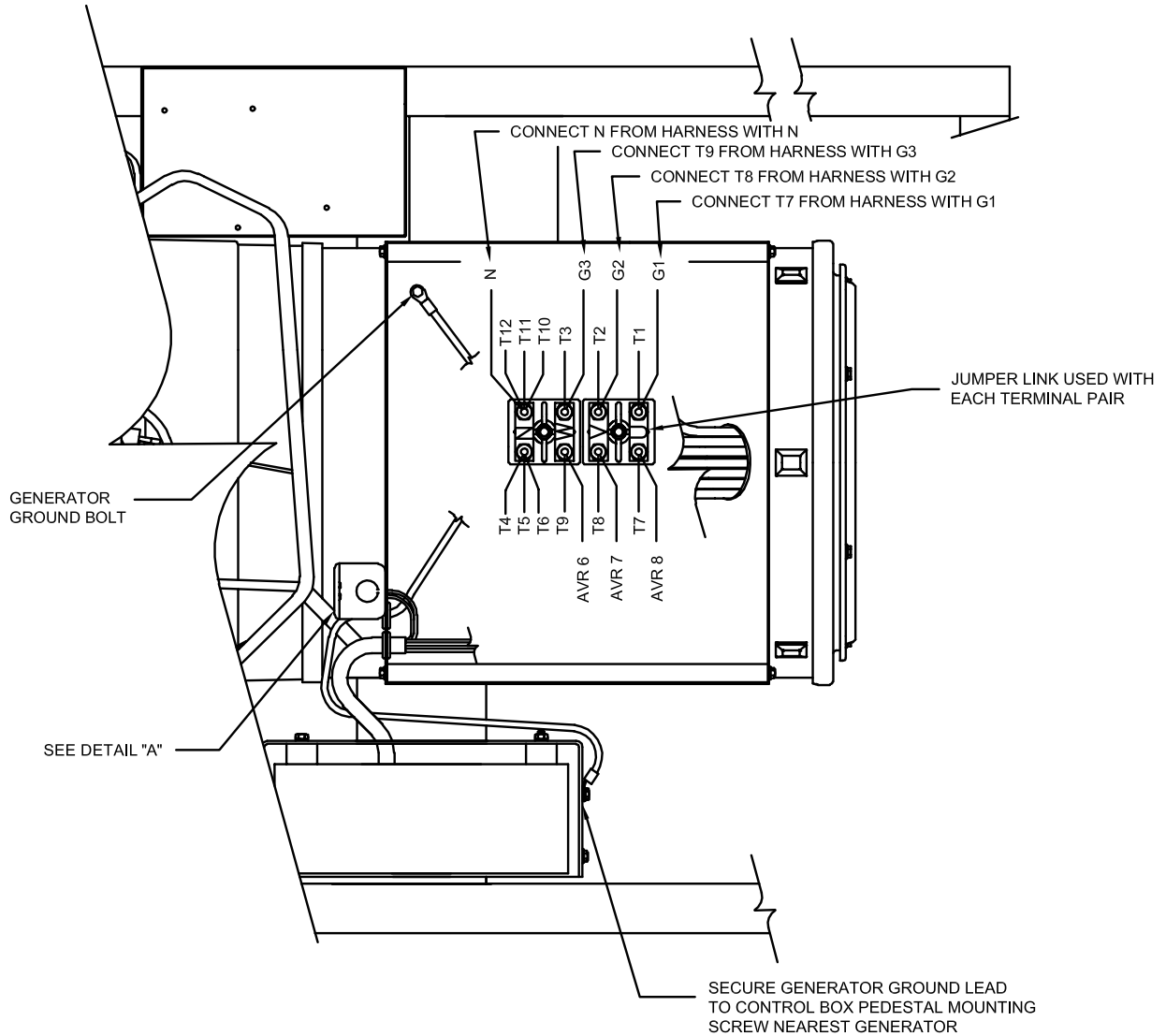
PSS40LS-3/B



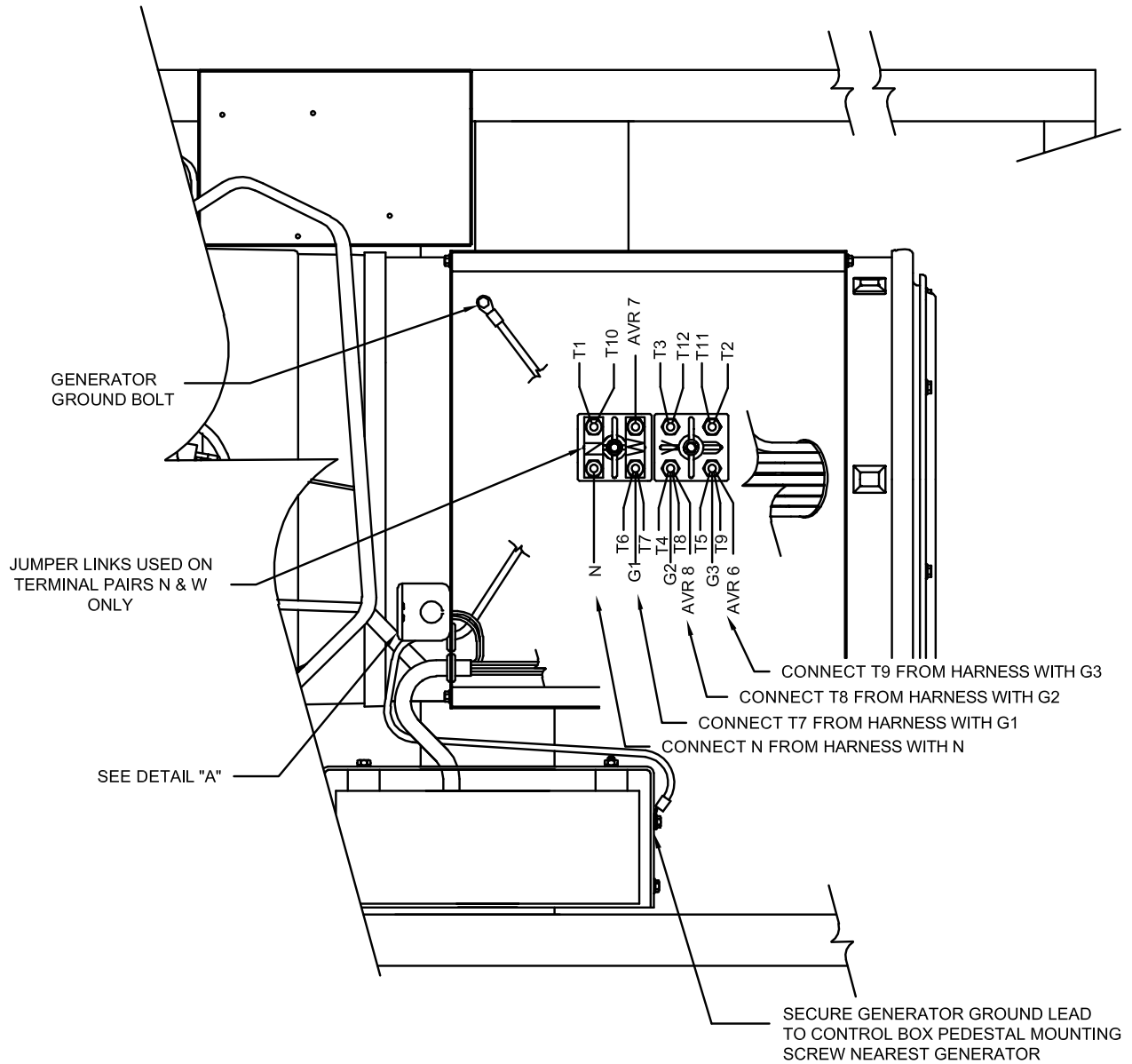
| REF # | PART NUMBER | QTY | DESCRIPTION |
|-------|-----------------|-----|-------------------------|
| 1 | 92789-000 | 1 | Conduit Box |
| 2 | 59026-000 | 1 | Conduit Box Cover |
| 3 | SEE TABLE | 1 | AC Harness Assembly |
| 4 | 99731-005 | 1 | Panel |
| 5 | 23917-000 | 1 | Grommet |
| 6 | 62486-000 | 1 | Grommet |
| 7 | 40730-000 | 1 | Grommet |
| NI | 350818 | 1 | Voltage Regulator SX460 |
| NI | Not Illustrated | | |

| MODEL # | PART # |
|---|-----------|
| PSS40LS-3/B | 99347-004 |
| PSS40LS-4/B PSS40LS-17/B PSS40LS-18/B | 99347-005 |

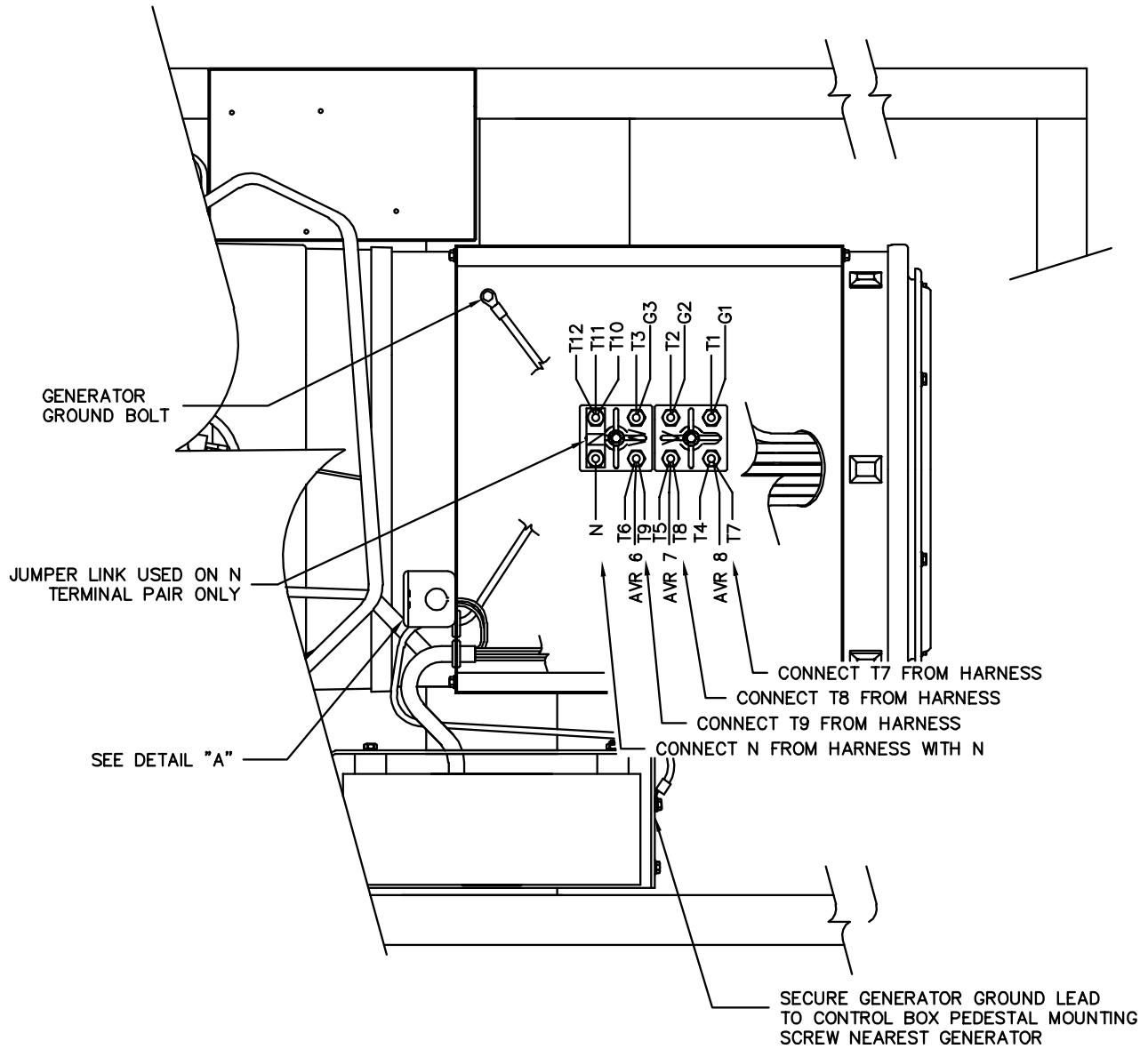
AC WIRING INSTALLATION PSS40LS-4/B



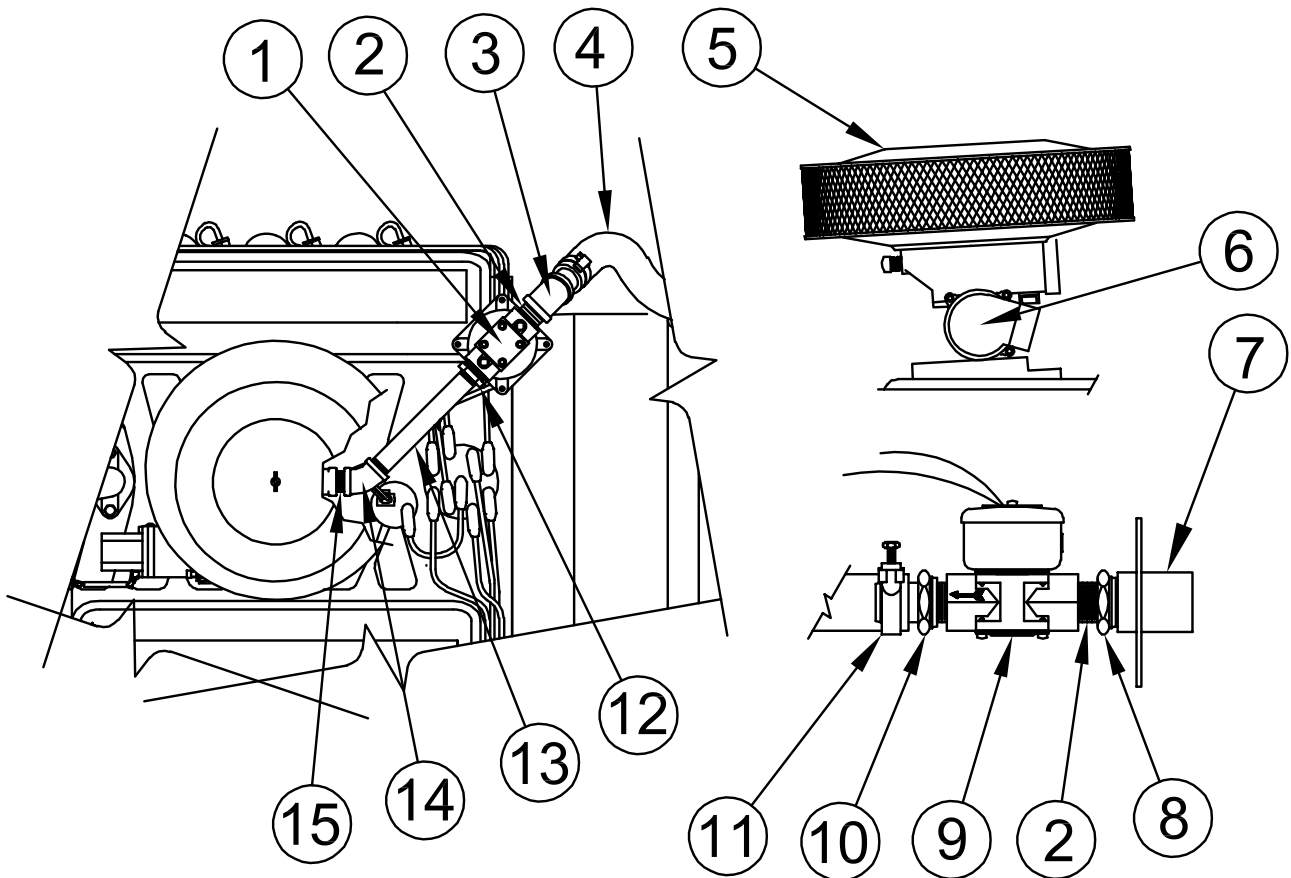
AC WIRING INSTALLATION PSS40LS-17/B



AC WIRING INSTALLATION PSS40LS-18/B

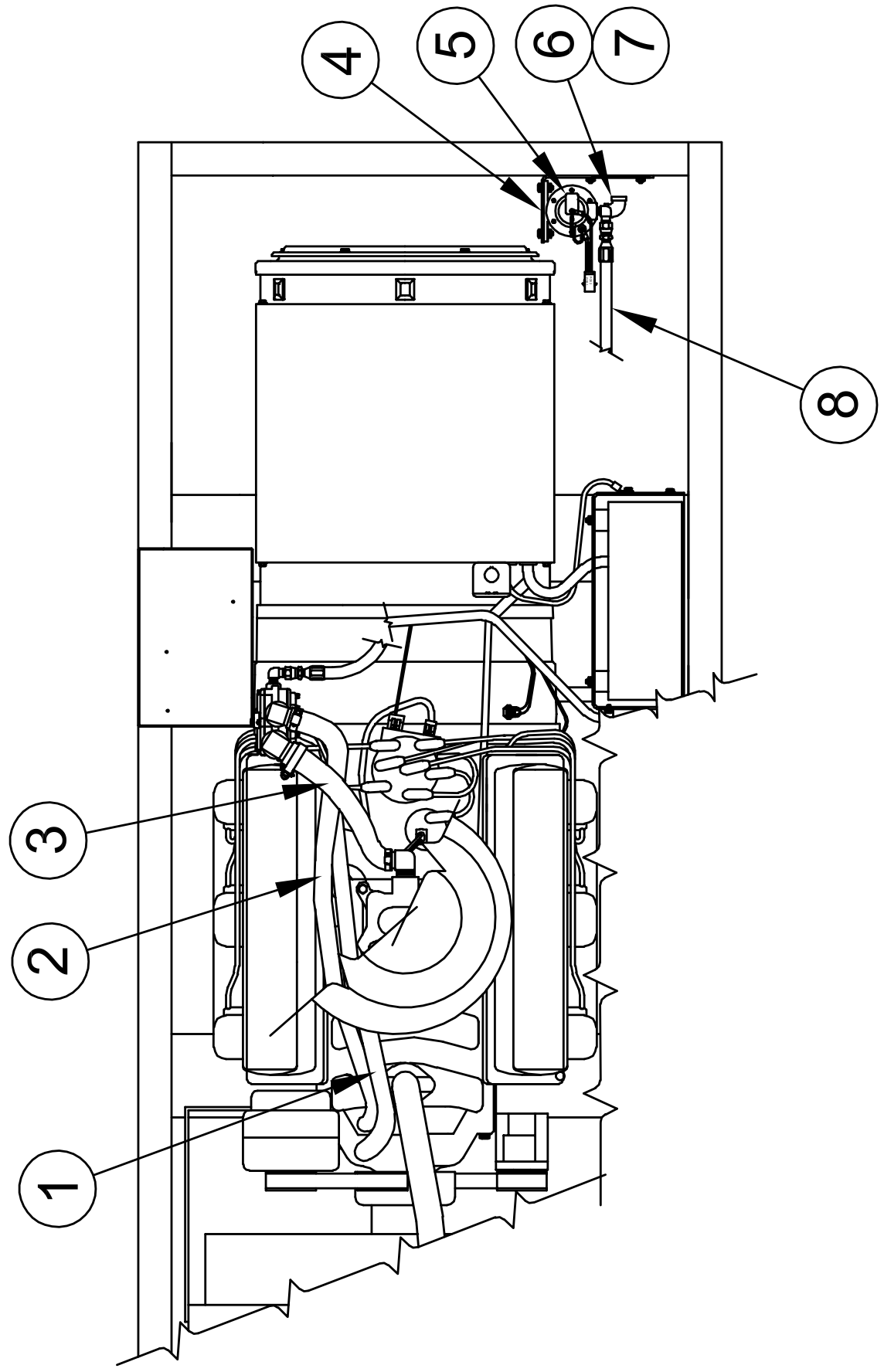


VAPOR FUEL SYSTEM ASSEMBLY

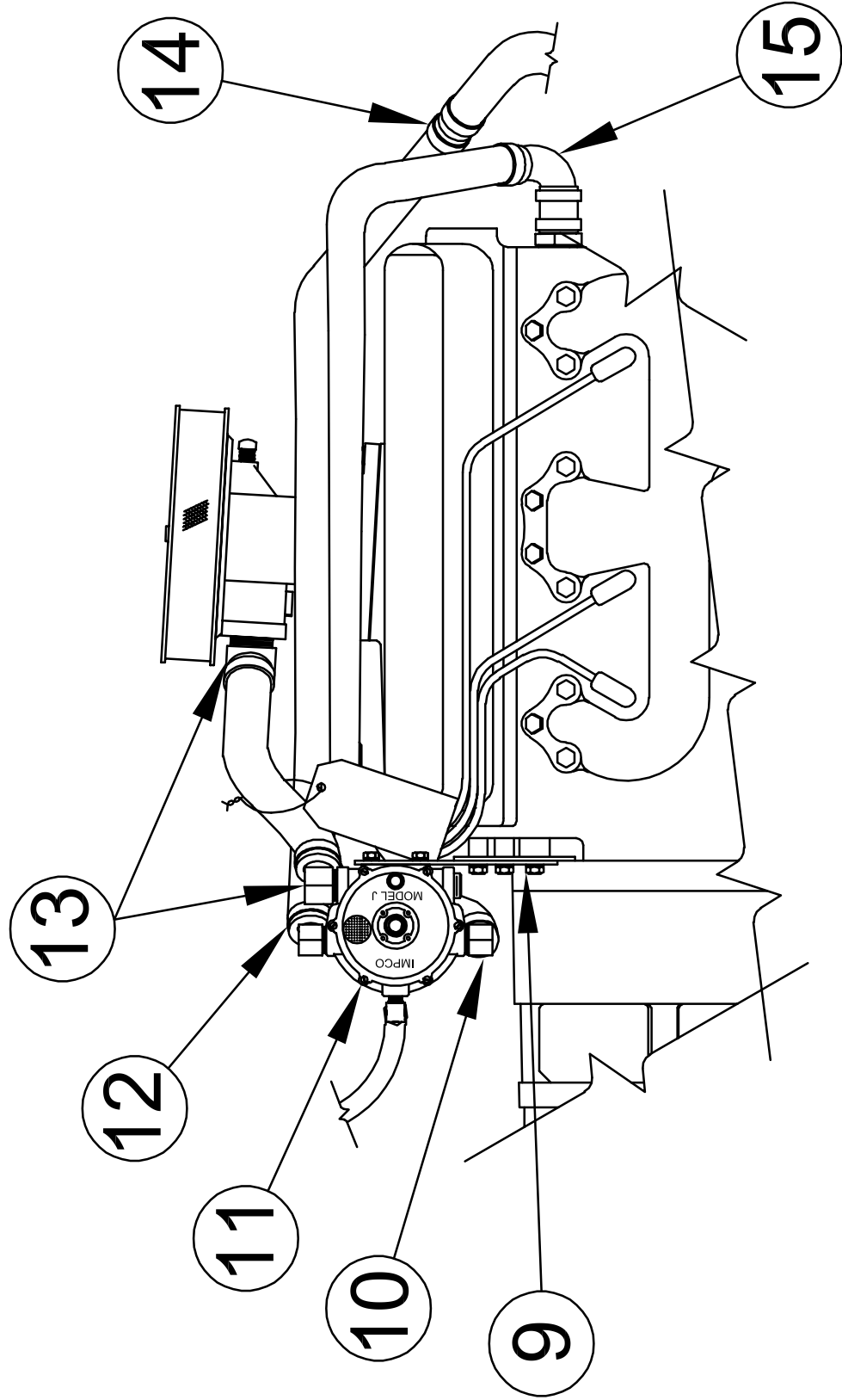


| REF # | PART NUMBER | QTY | DESCRIPTION |
|-------|-------------|-------|---------------------------|
| 1 | 50248-000 | 1 | Regulator |
| 2 | 22626-000 | 2 | 3/4" Pipe Nipple |
| 3 | 56596-000 | 1 | 3/4" 45° Pipe Elbow |
| 4 | 49409-015 | 50.5" | Hose |
| 5 | F1-8 | 1* | Air Filter |
| 6 | 99526-006 | 1 | "L" Series Governor |
| 7 | 99065-000 | 1 | Fuel Inlet Weldment |
| 8 | 81077-000 | 1 | 1" M X 3/4" F Busing |
| 9 | 42942-000 | 1 | Solenoid |
| 10 | 92388-004 | 2 | 3/4" X 1" Hose Fitting |
| 11 | 50245-000 | 2 | Hose Clamp |
| 12 | 81075-000 | 1 | 3/4" X 1/2" Reducer |
| 13 | 54074-001 | 1 | 3/4" X 3 1/2" Pipe Nipple |
| 14 | 40072-000 | 1 | 1/2" 45° Pipe Elbow |
| 15 | 22768-000 | 1 | 1/2" Pipe Nipple |

LP LIQUID WITHDRAWAL ASSEMBLY



LP LIQUID WITHDRAWAL ASSEMBLY

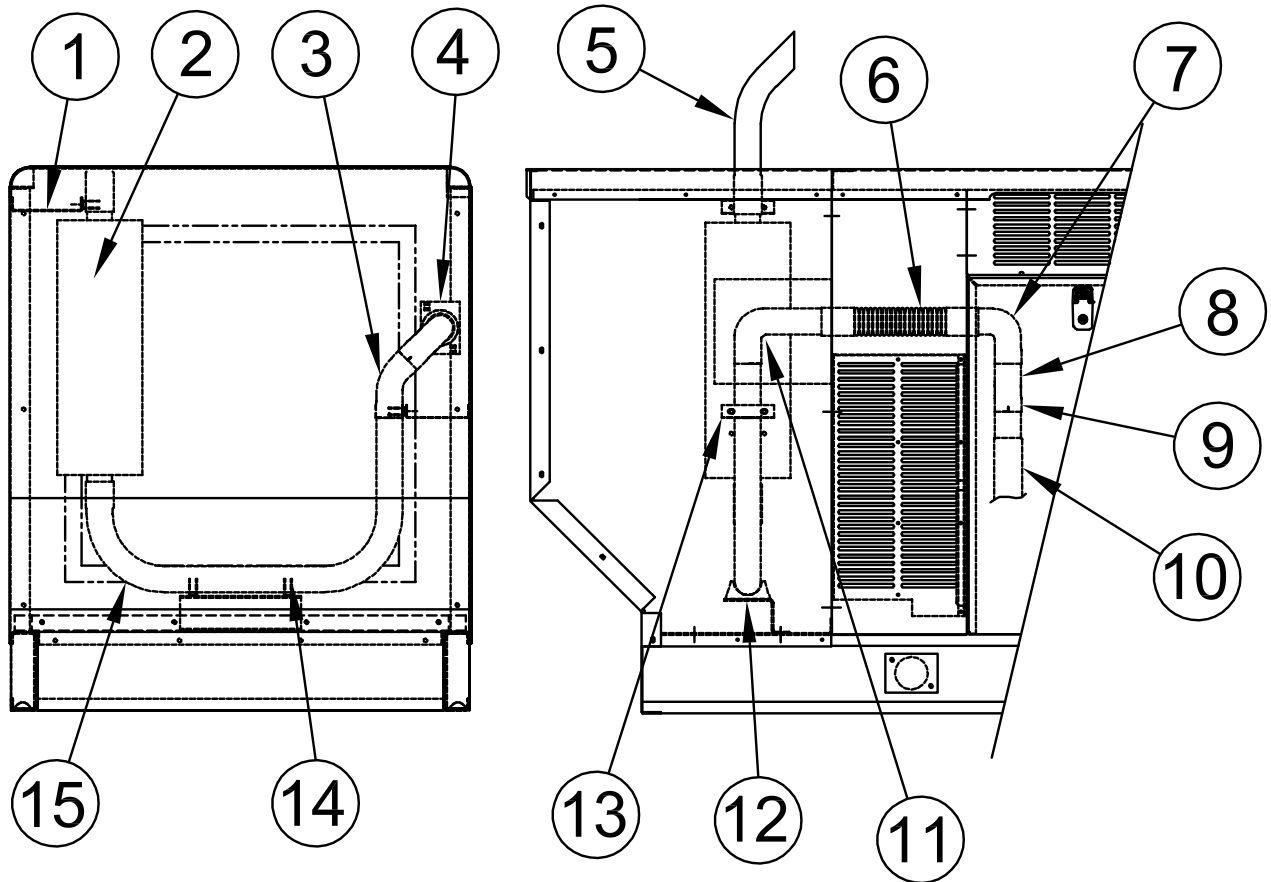


| REF # | PART NUMBER | QTY | DESCRIPTION |
|-------|-------------|-----|----------------------------|
| 1 | 93689-001 | 23" | 5/8" Hose |
| 2 | 93689-001 | 23" | 5/8" Hose |
| 3 | 93689-001 | 11" | 5/8" Hose |
| 4 | 99085-001 | 1 | Fuel Cover Plate |
| 5 | 99475-000 | 1 | Solenoid |
| 6 | 92533-000 | 1 | 1/4" 90° Elbow |
| 7 | 81375-003 | 1 | 1/4" X 1 1/2" Pipe Nipple |
| 8 | 92940-007 | 1 | Hose Assembly |
| 9 | 350217 | 1 | Converter Mounting Bracket |
| 10 | 92382-000 | 2 | 3/8" X 5/8" 90° Elbow |
| 11 | 81636-000 | 1 | Converter-Regulator |
| 12 | 81018-005 | 8 | Hose Clamp |
| 13 | 92382-001 | 2 | 1/2" X 5/8" 90° Elbow |
| 14 | 62274-001 | 1 | 5/8" Hose Coupler |
| 15 | 62274-002 | 1 | 5/8" 90° Hose Coupler |

DECALS

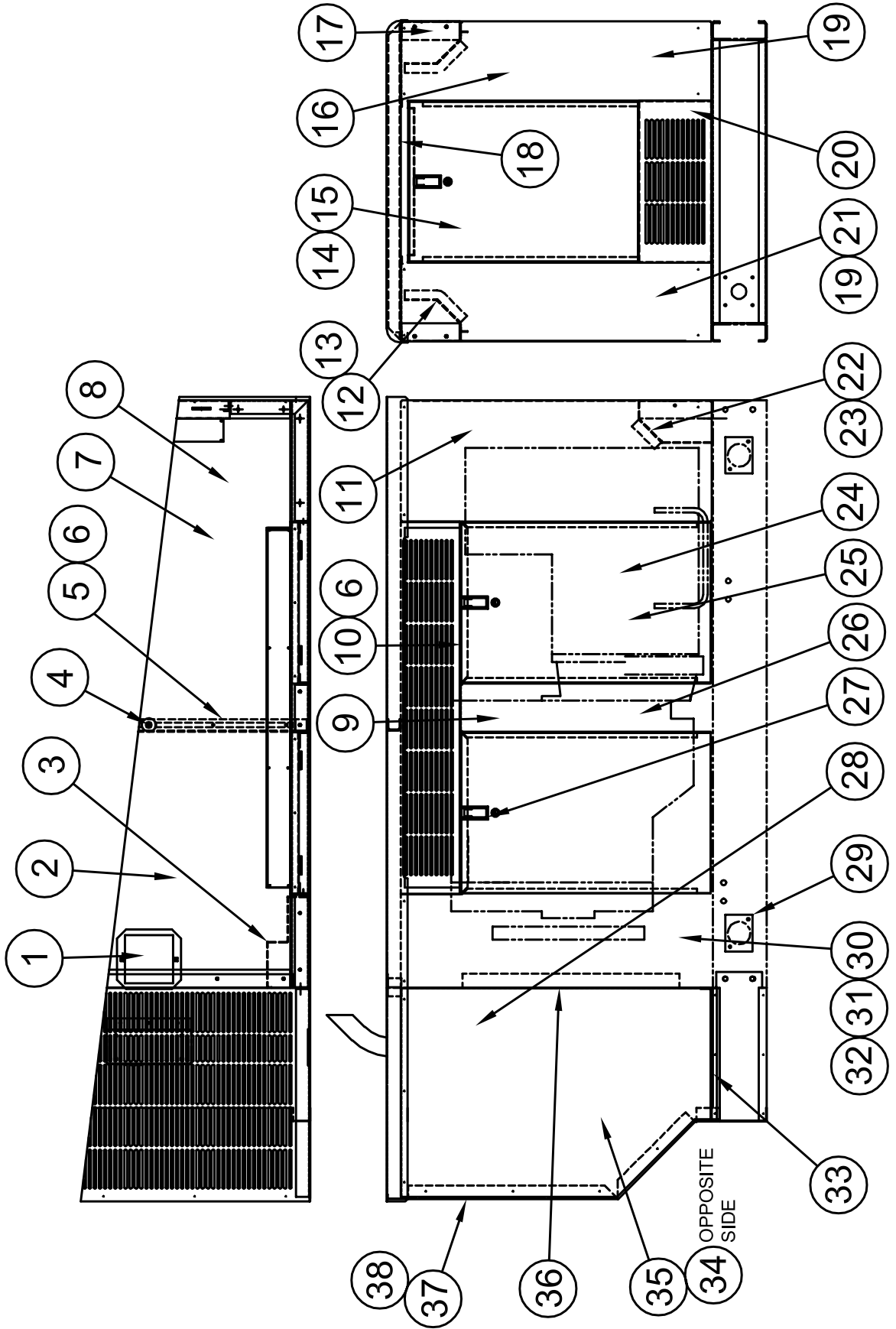
| REF # | PART NUMBER | QTY | DESCRIPTION |
|-------|-----------------|-----|-----------------------|
| NI | 15750-001 | 1 | Ground Decal |
| NI | 97813-000 | 3 | Auto Start Warning |
| NI | 15209-000 | 1 | Warning Decal |
| NI | 56596-000 | 1 | Fuel Decal |
| NI | 56597-000 | 1 | Fuel Decal |
| NI | 63941-001 | 1 | Hot Surface Decal |
| NI | 64891-001 | 1 | Electrical Code Decal |
| NI | 63941-003 | 1 | Battery Warning Decal |
| NI | Not Illustrated | | |

EXHAUST ASSEMBLY



| REF # | PART NUMBER | QTY | DESCRIPTION |
|-------|-------------|-------|-----------------------|
| 1 | 99291-001 | 1 | Exhaust Support |
| 2 | 80519-001 | 1 | Muffler |
| 3 | 97761-004 | 1 | 45° Elbow 2" |
| 4 | 99060-002 | 1 | Exhaust Cover Plate |
| 5 | 99299-000 | 1 | Tail Pipe |
| 6 | 64743-001 | 1 | Flex Exhaust |
| 7 | 97761-003 | 1 | 90° Elbow 2" |
| 8 | 97761-005 | 1 | 60° Elbow 2" |
| 9 | 97274-000 | 11 FT | High Temperature Tape |
| 10 | 94259-001 | 4 FT | Safety Wire |
| 11 | 97761-002 | 1 | 90° Elbow 2" |
| 12 | 99234-000 | 1 | Exhaust Support |
| 13 | 99291-002 | 1 | Exhaust Support |
| 14 | 93489-003 | 10 | Muffler Clamp |
| 15 | 99298-002 | 1 | Exhaust Pipe |

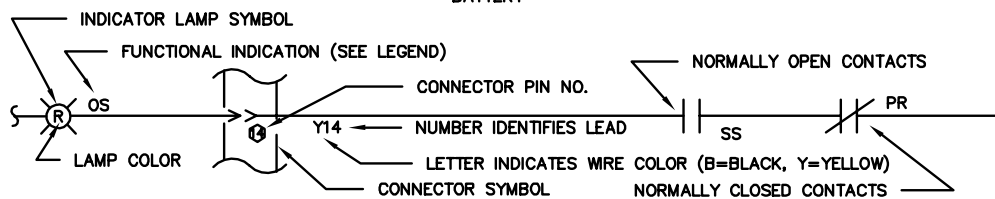
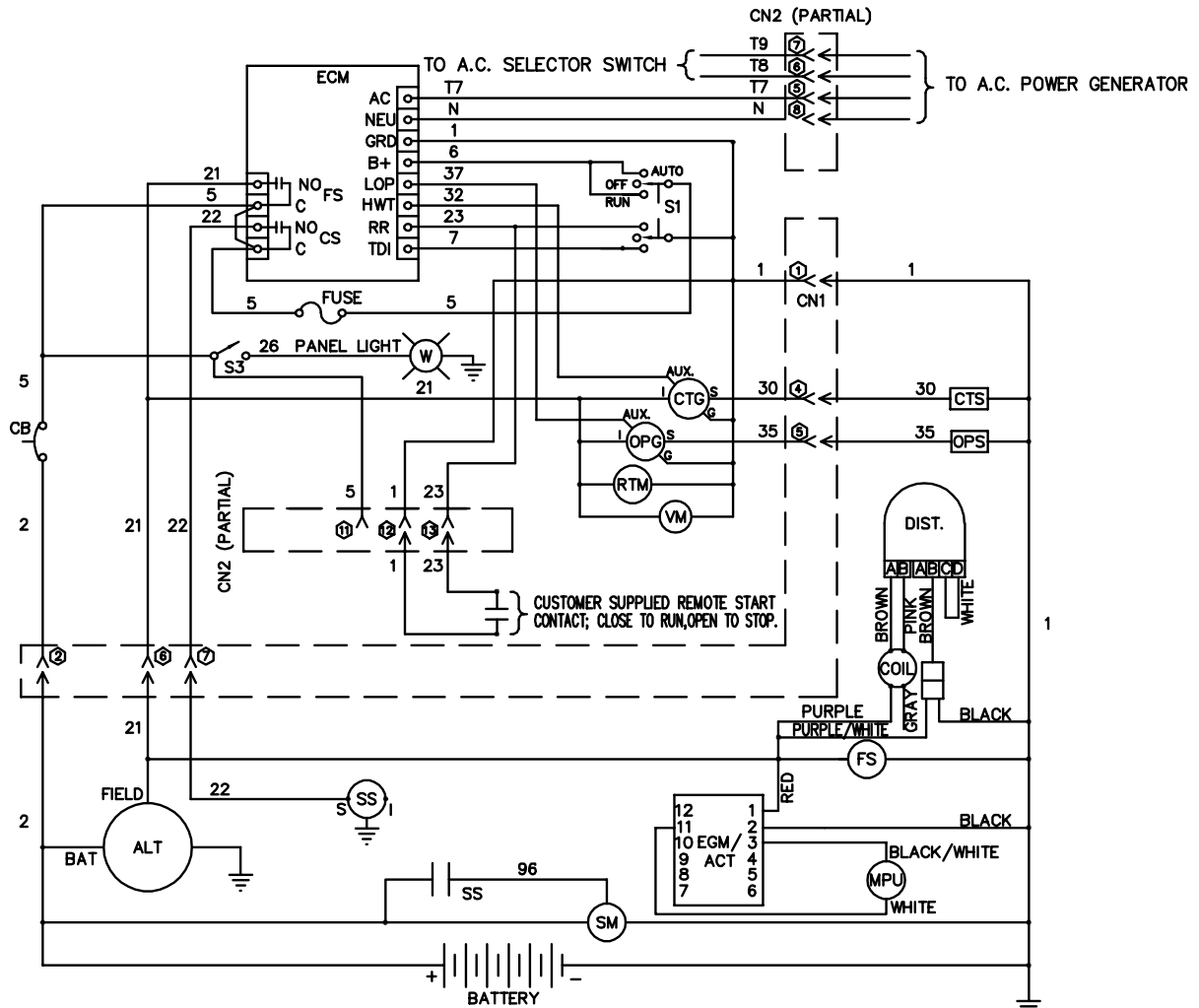
HOUSING ASSEMBLY



| REF # | PART NUMBER | QTY | DESCRIPTION |
|-------|-------------|---------|------------------------|
| 1 | 62026-003 | 1 | Cover Plate |
| 2 | 99393-416 | 1 | Foam Piece |
| 3 | 99732-402 | 1 | Reflective Foam Piece |
| 4 | 62825-011 | 1 | Spacer |
| 5 | 99225-001 | 1 | Roof Support |
| 6 | 62912-000 | 39 FT | Foam Strip |
| 7 | 99393-421 | 1 | Foam Piece |
| 8 | 99086-008 | 1 | Roof |
| 9 | 99066-000 | 2 | Mullion |
| 10 | 99224-000 | 4 | Door Jam |
| 11 | 99393-410 | 2 | Foam Piece |
| 12 | 99103-003 | 2 | Backing Plate |
| 13 | 99393-417 | 2 | Foam Piece |
| 14 | 15680-013 | 1 | Rear Door |
| 15 | 99393-413 | 1 | Door Foam |
| 16 | 99067-003 | 1 | Right Rear Corner Post |
| 17 | 99393-408 | 2 | Foam Piece |
| 18 | 99391-000 | 1 | Roof End |
| 19 | 99393-410 | 2 | Foam Piece |
| 20 | 99100-001 | 1 | Rear Sill |
| 21 | 99067-002 | 1 | Left Rear Corner Post |
| 22 | 99725-000 | 1 | Sill Backing Plate |
| 23 | 99393-414 | 1 | Foam Piece |
| 24 | 15680-009 | 4 | Side Door |
| 25 | 99393-412 | 4 | Door Foam |
| 26 | 99393-401 | 2 | Foam Piece |
| 27 | 95229-004 | 5 | Door Latch |
| 28 | 99732-403 | 1 | Reflective Foam |
| 29 | 99060-000 | 4 | Base Cover Plate |
| 30 | 99071-007 | 1 | Housing Front |
| 31 | 99732-401 | 1 | Reflective Foam |
| 32 | 99393-415 | 1 | Foam Piece |
| 33 | 99223-001 | 1 | Air Chamber Floor |
| 34 | 99392-003 | 1 | Extension Panel |
| 35 | 99392-002 | 1 | Extension Panel |
| 36 | 92421-001 | 8.67 FT | Foam Strip ¾" |
| 37 | 99083-001 | 1 | Front Panel |
| 38 | 99393-406 | 1 | Foam Piece |

"LCS" SERIES GOVERNOR (ORIGINAL DESIGN)

DC WIRING SCHEMATIC



LEGEND

| | | | |
|---------|---------------------------------------|-----|---------------------------------|
| ALT | ALTERNATOR | OPG | OIL PRESSURE GAUGE |
| ACT | BATTERY CHARGER | OPS | OIL PRESSURE SENDER |
| BC | CIRCUIT BREAKER | OS | OVERSPEED INDICATOR LAMP |
| CB | CIRCUIT BREAKER | PR | PROTECTIVE RELAY, STARTER |
| CN1,CN2 | WIRING HARNESS CONNECTORS | RTM | RUNNING TIME METER |
| CTG | COOLANT TEMPERATURE GAUGE | S1 | ENGINE START MODE SWITCH |
| CTS | COOLANT TEMPERATURE SENDER | S3 | PANEL ILLUMINATION LIGHT SWITCH |
| ECM | ENGINE CONTROL MODULE | S4 | ENGINE SHUTDOWN INDICATOR LAMP |
| EGM/ACT | ELECTRONIC GOVERNOR MODULE / ACTUATOR | SS | ENGINE STARTER MOTOR SOLENOID |
| FS | FUEL SOLENOID | SM | ENGINE STARTER MOTOR |
| GND | GROUND (CHASSIS OR FRAME) | VM | D.C. VOLTMETER |
| MPU | MAGNETIC PICKUP UNIT | | |

