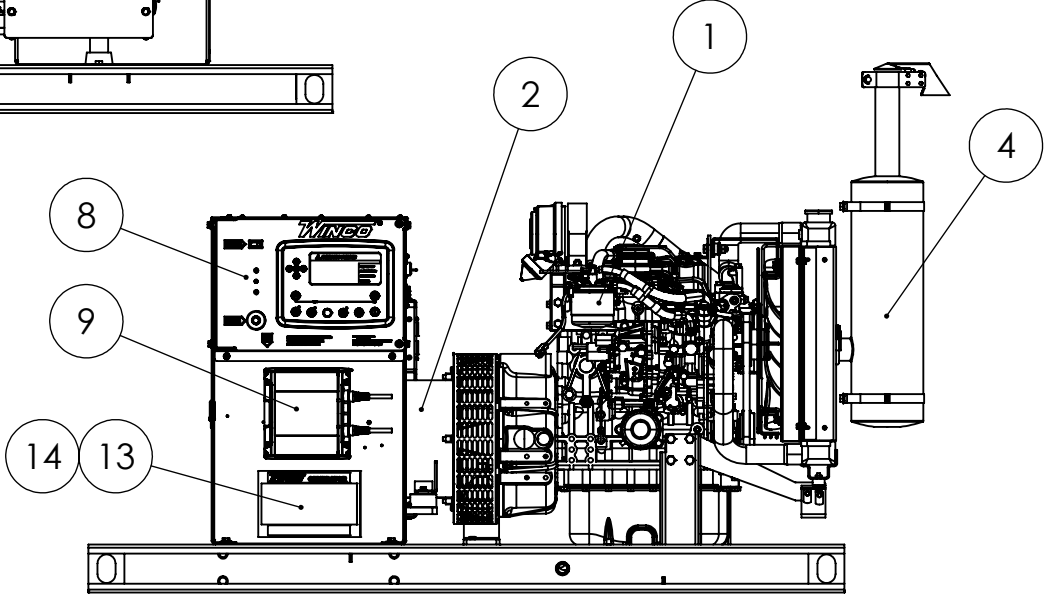
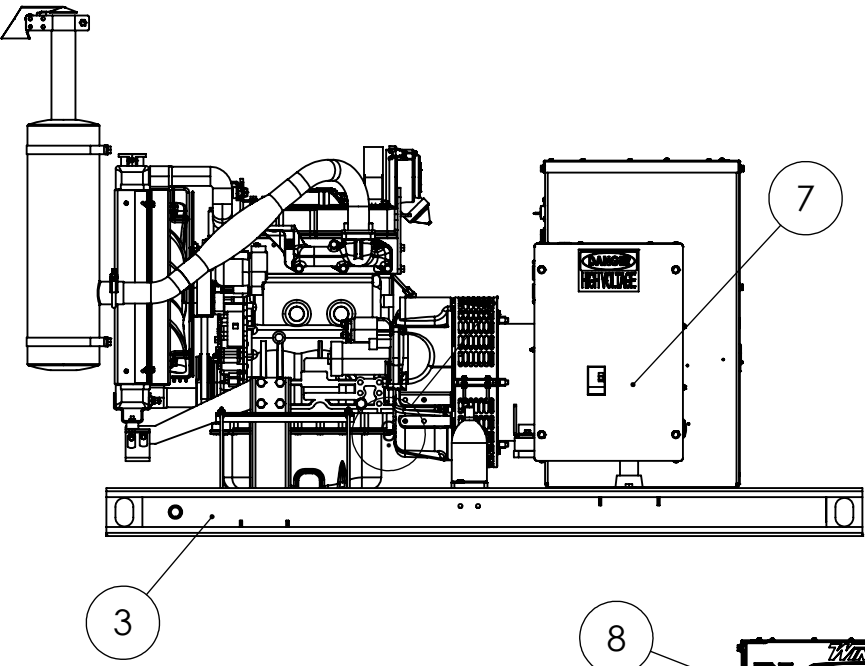
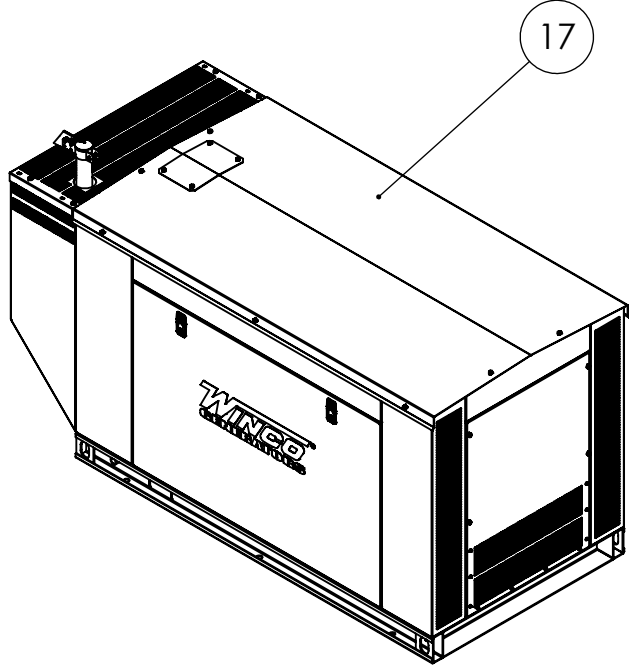
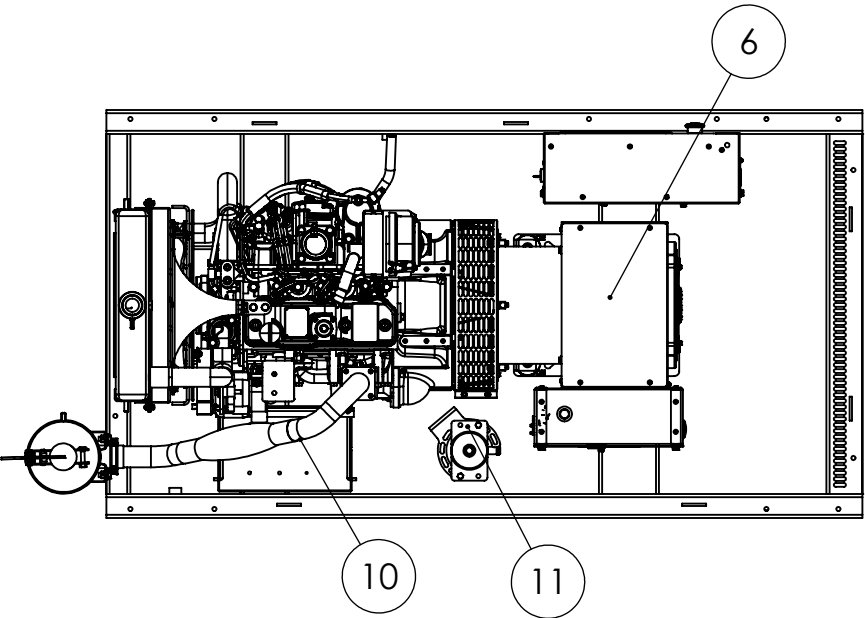


WINCO Service
Phone: 507-357-6831
Email: service@wincogen.com
www.wincogen.com

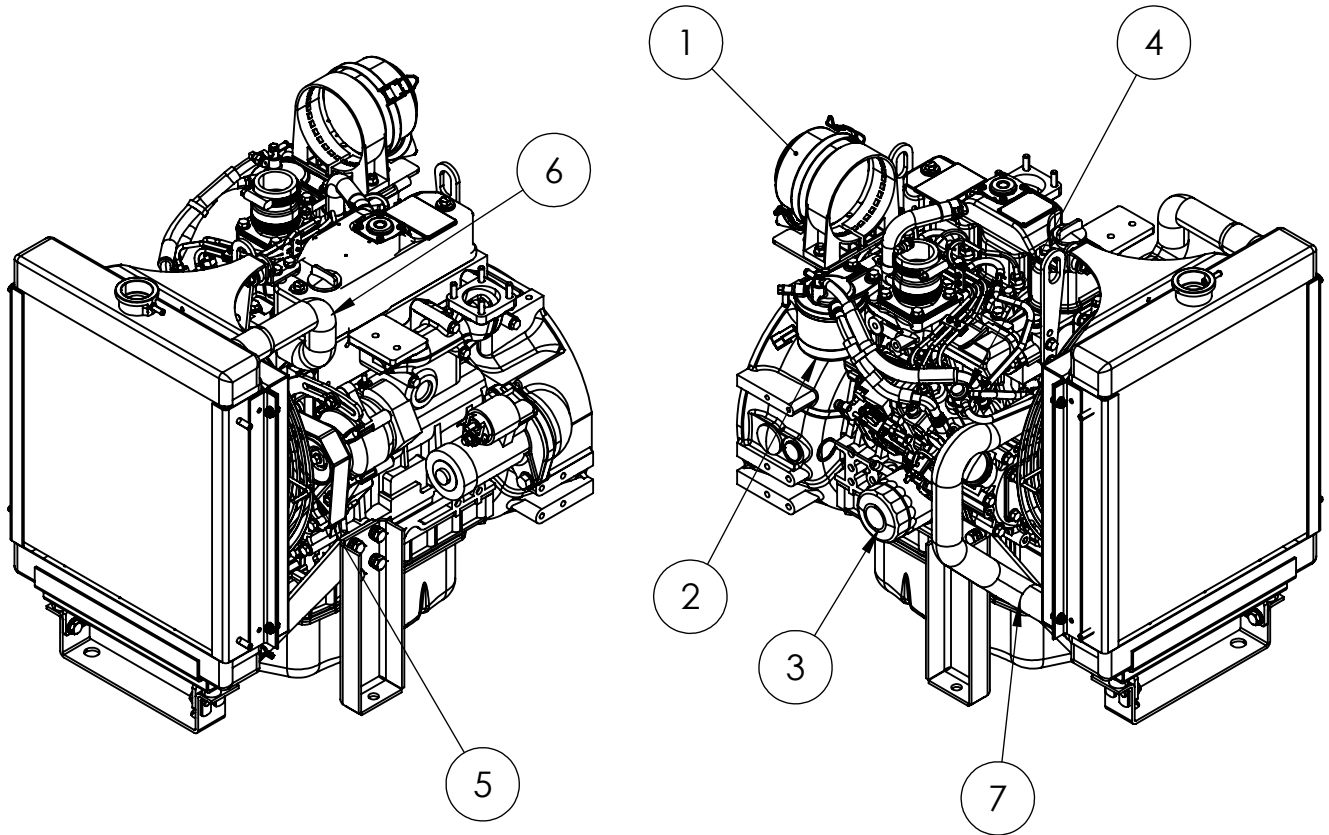
General Assembly



General Assembly continued

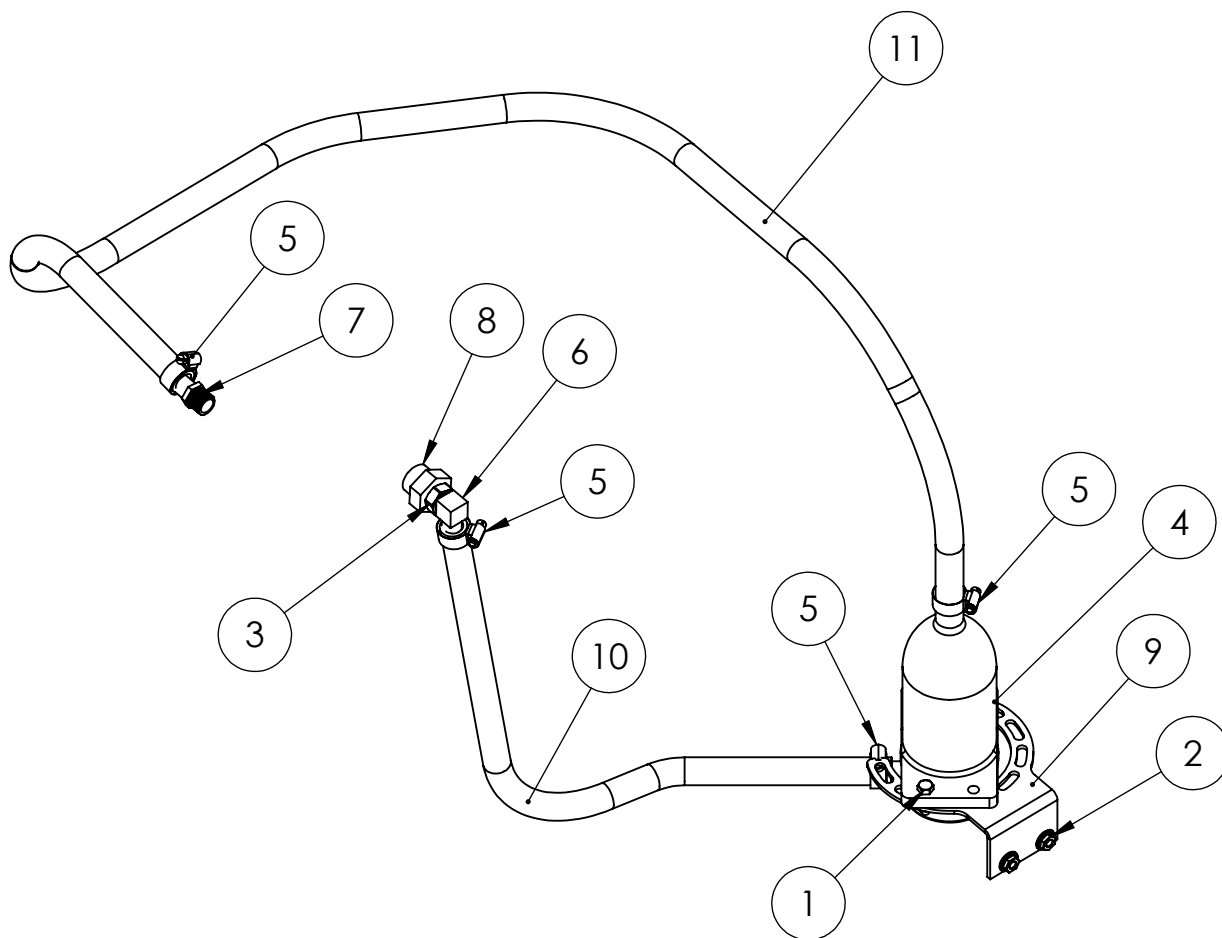
ITEM NO.	PART NUMBER	DESCRIPTION	QTY.
1	350001-101	ENGINE, ISUZU, TIER IV, MODEL 3CE1UGZG1-420	1
2	350023-14	GEN END, S0L1-S1, SAE 5-7.5, WDG 706, 4 LEAD, UL1004 RATED, 13KW AT 125C, CLASS H, 4 POLE, 1800 RPM, STAMFORD, USED ON DR12	1
3	401012-020	WELDMENT BASE ASSEMBLY	1
4	407012-100	EXHAUST SYSTEM DR12	1
5	408012-005	HARDWARE KIT DR12	1
6	352308-110	TERMINAL BOX COVER ASSEMBLY	1
7	402012-300	CB BOX ASSEMBLY	1
8	351903-49	DSE CONTROL PEDESTAL ASSEMBLY	1
9	352020-24	BATTERY CHARGER KIT 12V 5 AMP	1
10	405020-200	BATTERY TRAY ASSEMBLY	1
11	409012-100	BLOCK HEATER KIT DR12	1
12	410020-104	GEN MOD DR20 1P MKII	1
13	16505-011	NAME PLATE	1
14	16506-004	NAME PLATE OVERLAY	1
15	351559-10	DECAL INSTALL	1
17	474012-300	HOUSING ASSEMBLY DR12	1
18	300515-30	5W-30 OIL PER GALLON	1.9
19	300515-4	ANTIFREEZE PER GALLON	0.38
20	99420-044	ENGINE HARNESS DR12I4 MKII CONTROL	1

Engine



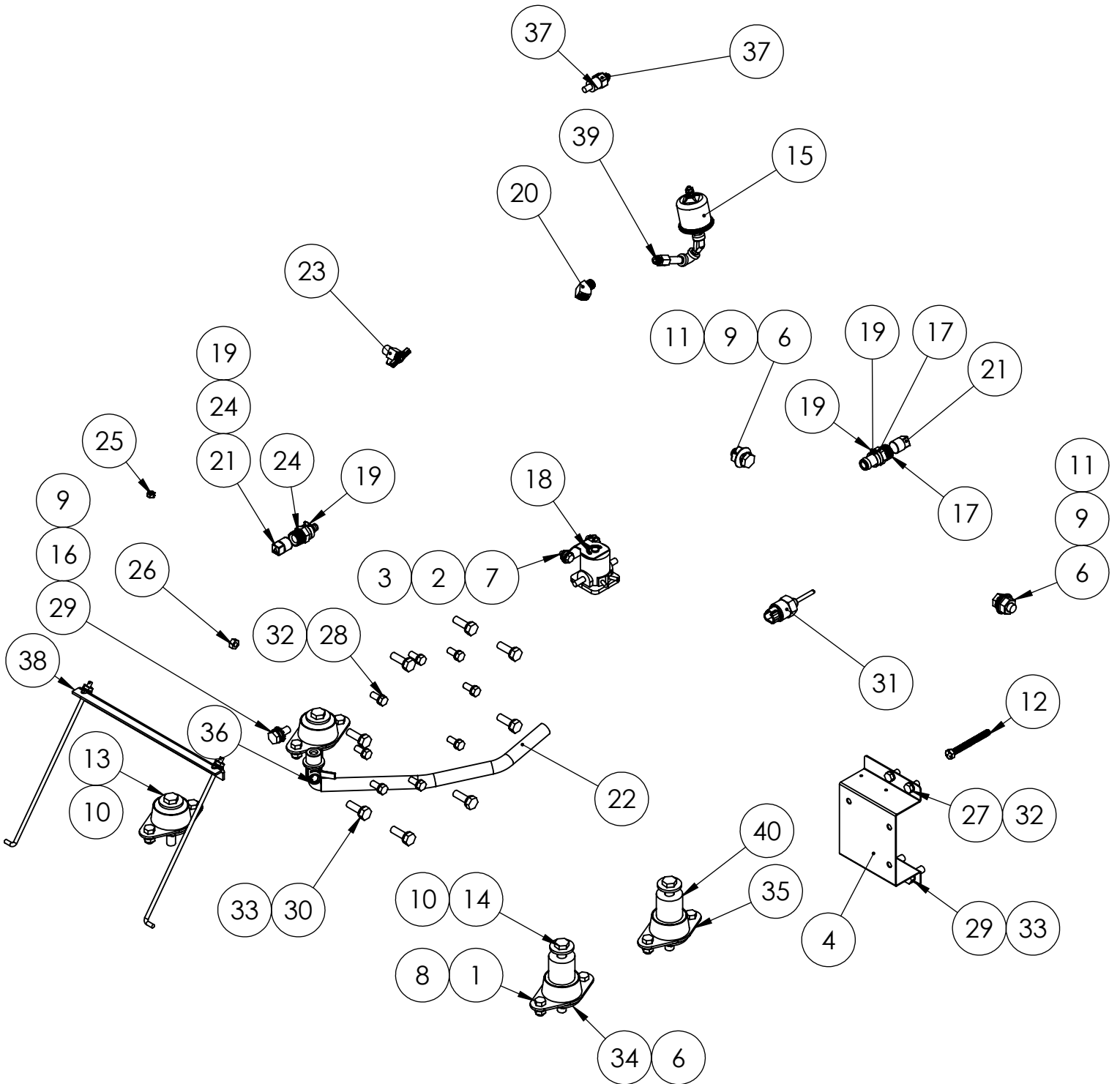
ITEM NO.	PART NUMBER	DESCRIPTION	QTY.
1	7-106	AIR FILTER	1
2	7-101	FUEL FILTER - SPIN ON	1
3	7-100	OIL FILTER	1
4	7-102	METAL IN LINE FUEL PUMP	1
5	7-116	FAN BELT	1
6	7-117	UPPER RADIATOR HOSE	1
7	7-118	LOWER RADIATOR HOSE	1
Contact Winco service for full engine parts support.			

Block Heater Kit



ITEM NO.	PART NUMBER	DESCRIPTION	QTY.
1	439-000	.25-20 X 1 HHB	2
2	16248-000	1/4-20 FLANGE NUT	4
3	56372-001	HEX REDUCER BUSHING 1/2 -3/8 NPT BRASS	1
4	80781-003	BLOCK HEATER	1
5	81018-005	HOSE CLAMP 1.0625-.500	4
6	92382-000	HOSE FIT.ELBOW .375NPT X .625 HOSE	1
7	92388-000	HOSE FIT .375NPT X .625 HOSE	1
8	93726-000	HEX REDUCER BUSHING 1X1/2 BRASS	1
9	351929-2	BLOCK HEATER BRACKET	1
10	56107-000	HOSE 0.625ID HTR RED	24
11	56107-000	HOSE 0.625ID HTR RED	56

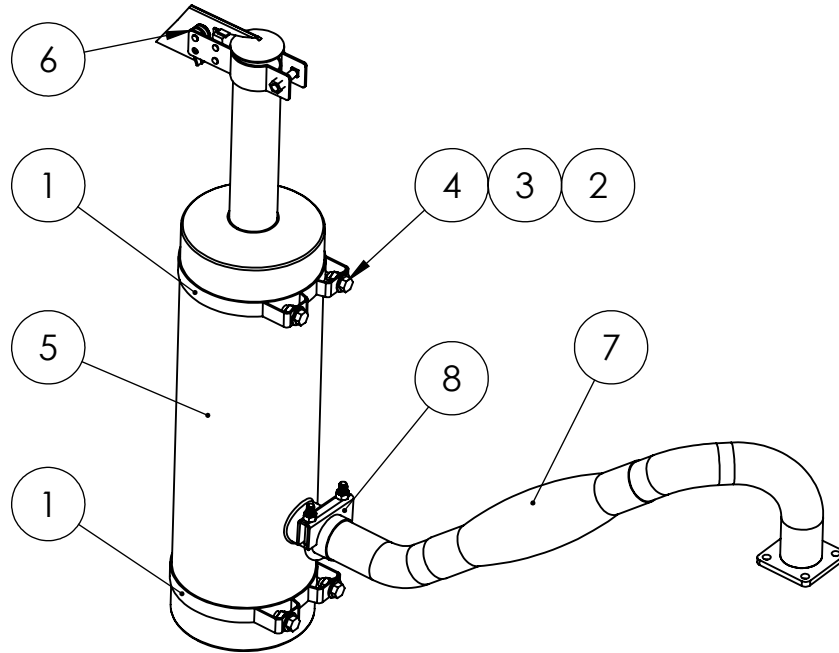
Hardware Kit



Hardware Kit Continued

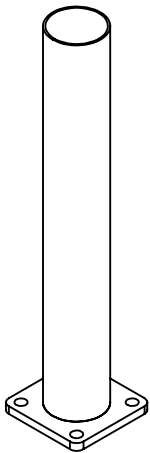
ITEM NO.	PART NUMBER	DESCRIPTION	QTY.
1	464-000	.375-16X.75 HHB	8
2	476-000	.25-20X.625 HHB	2
3	512-000	.25 WASHER	4
4	1000-0250	DR12 FUEL FILTER MOUNT	1
5	16200-529	MAINTENANCE KIT DECAL	1
6	16248-001	.5-13 FLANGE NUT	6
7	16248-000	.25-20 FLANGE NUT	2
8	16250-000	FLANGE NUT 3/8-16	8
9	20039-000	LOCKWASHER 1/2 EXTERNAL TOOTH	3
10	21867-002	WASHER .5 X 1.375 X .146	4
11	48178-000	HHCS 1/2-13 X 1	2
12	57523-001	HHCS 5/16-18X3 GR5 FULL THREAD	1
13	57580-007	HHCS .5-13 X 3	2
14	57580-013	HHCS .5-13 X 4.5	2
15	60710-136	OIL PRESSURE SENDER KIT	1
16	65005-002	.375 FLATWASHER SS	1
17	72302-009	HOSE FIT. .500-14NPT X .625 HOSE BARB	1
18	80980-000	START SOLENOID	1
19	81018-008	HOSE CLAMP .875-.25	2
20	92587-000	ELBOW 1/4NPT 45 DEGREE	1
21	93084-000	PIPE PLUG .50 GALV	2
22	93689-003	HOSE 0.625IN ID, CUT TO 24IN	1
23	93824-003	PETCOCK VALVE 1/4 NPT 90 HOSE BARB	1
24	94319-008	HOSE FIT. .500-14NPT X .375 HOSE BARB	1
25	94442-002	NUT HEX M6-1.0	1
26	94442-003	NUT HEX M8-1.25 ZINC	1
27	96002-016	M8-1.25X16MM	2
28	96002-020	HHCS M8-1.25X20mm BLACK	8
29	96003-020	M10-1.5X20MM	3
30	96003-030	M10-1.5X30MM	8
31	96333-004	PROBE, LOW COOLANT, 3-WIRE, 1_4 NPT	1
32	97436-008	LOCKWASHER M8	10
33	97436-010	M10 LOCKWASHER	10
34	98806-002	WASHER SNUBBING 2.13 X .532 X .134THK	4
35	98807-004	SHOCKMOUNT GREEN	4
36	98906-018	OIL DRAIN VALVE M22 X 5/8 90HB	1
37	99265-005	WATER TEMP SENDER 16MM X 1.5	1
38	99288-003	BATTERY RACK KIT (HOLD DOWN GROUP 24)	1
39	300349-4	ADAPTER 1/8"BSPT(M) X 1/8"NPT(F) 1"LONG	1
40	350720	SPACER ENGINE FOOT	2

Exhaust System - Housed



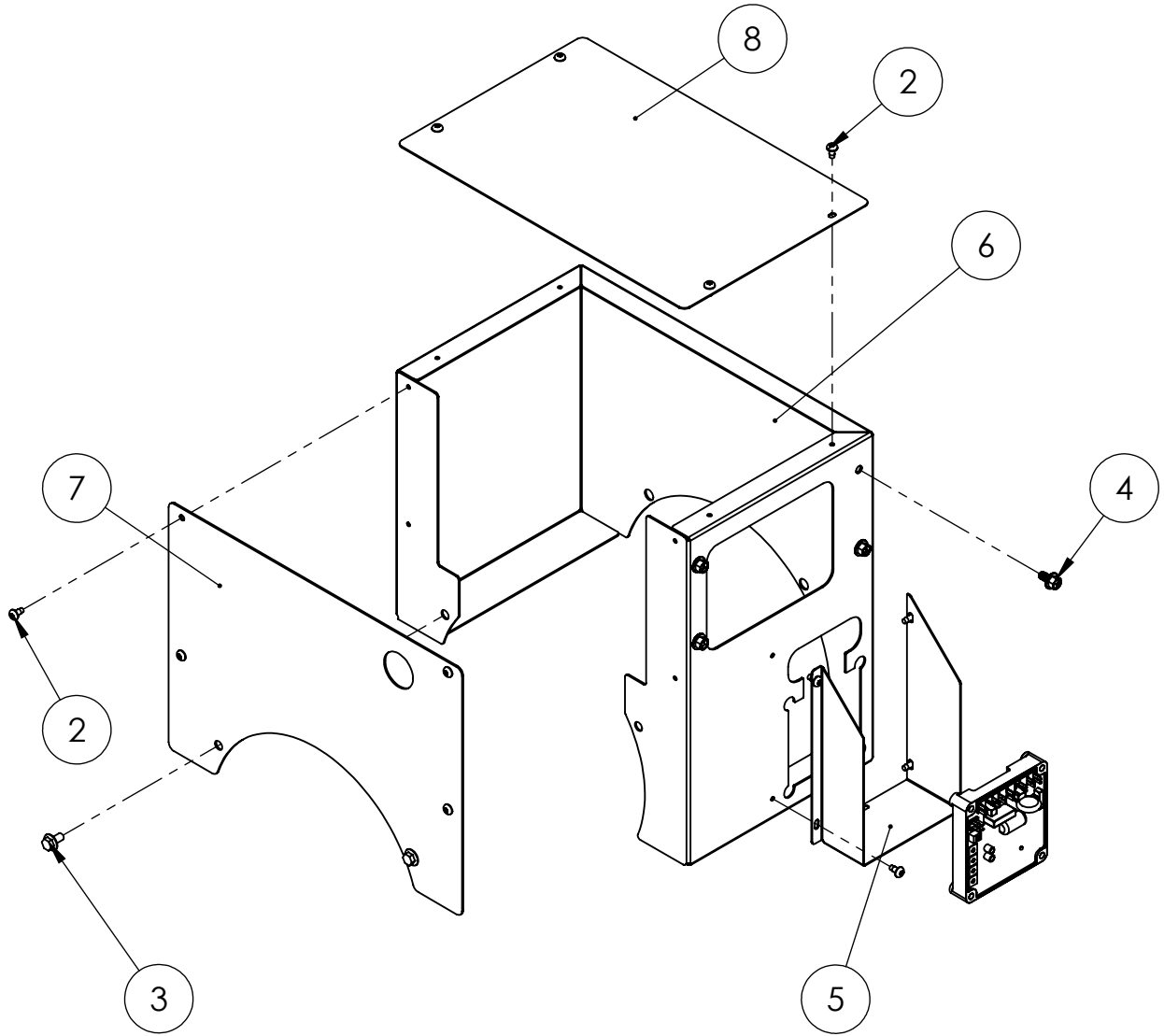
ITEM NO.	PART NUMBER	DESCRIPTION	QTY.
1	350264-2	6IN MUFFLER BRACKET	2
2	16250-000	FLANGE NUT 3/8-16	4
3	65005-002	.375 FLATWASHER SS	4
4	65002-000	.375-16X.75 HHB SS	4
5	300335-17	MUFFLER CRITICAL GRADE	1
6	53111-007	2" RAIN CAP	1
7	807012-001	FLEX PIPE	1
8	93489-005	MUFFLER CLAMP, 1-7/8"	1

Exhaust System - Open Skid



ITEM NO.	PART NUMBER	DESCRIPTION	QTY.
1	807012-002	EXHAUST PIPE	1

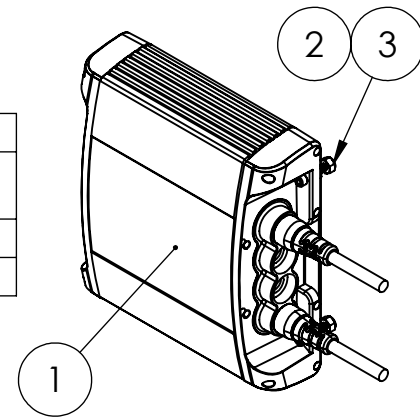
Gen End Adapter Kit



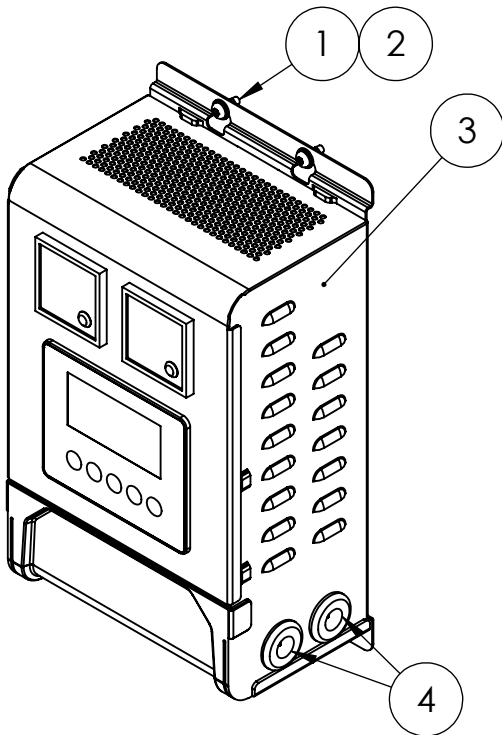
ITEM NO.	PART NUMBER	DESCRIPTION	QTY.
1	16248-000	.25-20 FLANGE NUT	4
2	21698-001	TORX PAN HEAD SCREW #10	13
3	55440-000	.25-20X.5 SELF TAP	2
4	352120-1	1/4-20 X .500 FHCS	4
5	352308-102	AVR BOX	1
6	352308-110	TERMINAL BOX	1
7	352308-111	TERMINAL BOX FRONT	1
8	352308-112	TERMINAL BOX COVER	1

Battery Charger - 5A

ITEM NO.	PART NUMBER	DESCRIPTION	QTY.
1	72036-023	BATTERY CHARGER, 120VAC/12VDC, 5.0 AMP, GUEST MODEL 2708A	1
2	64872-001	SOC.HCS 10-24 X 1 BLK	4
3	5315-000	NUT HEX 10-24 NYLON	4



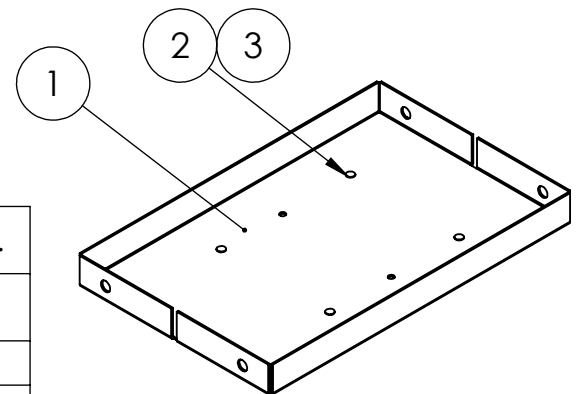
Battery Charger - 10A



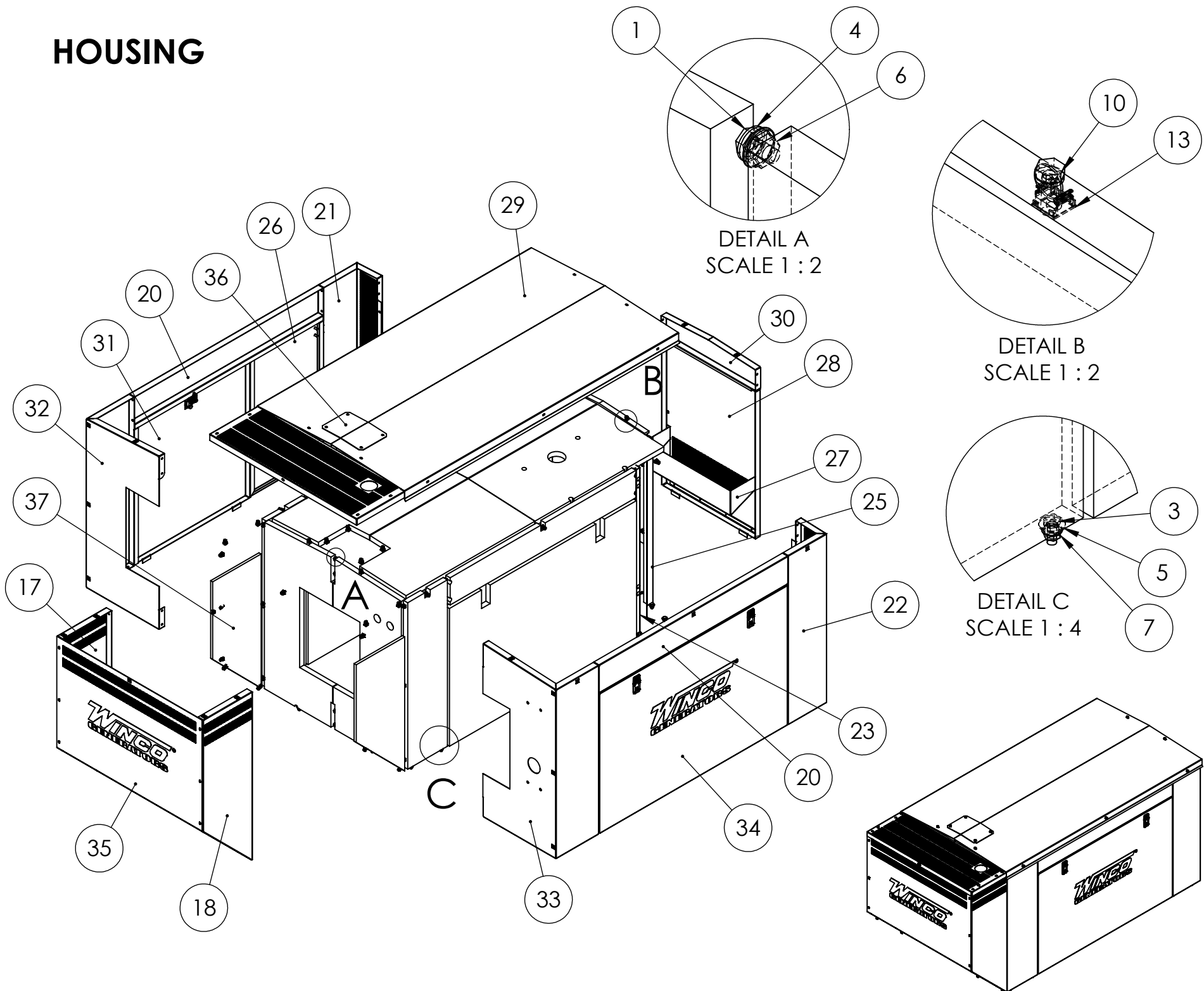
ITEM NO.	PART NUMBER	DESCRIPTION	QTY.
1	21698-001	TORX PAN HEAD SCREW #10	4
2	598-000	#10 WASHER	4
3	72036-020	BATTERY CHARGER, 12VDC, 10AMP, DSE MODEL BC2410EI-02 LCD AND METERS NFPA 110	1
4	40730-000	GROMMET .5ID X .8125	3
5	96922-001	PWR.SUP.CORD, 16/3, 8 FEET W/5-15P PLUG	1
6	7547-000	TERMINAL RING 16/14AWG .375 STUD	2
7	2489-004	IN-LINE FUSE HOLDER	1
8	95064-006	FUSE AGC 10 AMP	1

Battery Tray Kit

ITEM NO.	PART NUMBER	DESCRIPTION	QTY.
1	350110-9	BATTERY TRAY GROUP 24 WITH WIRE CUTOUT	1
2	95568-000	THREAD STUD 10-24 X .625	4
3	99671-000	#10-24 HEX NUT	4



HOUSING

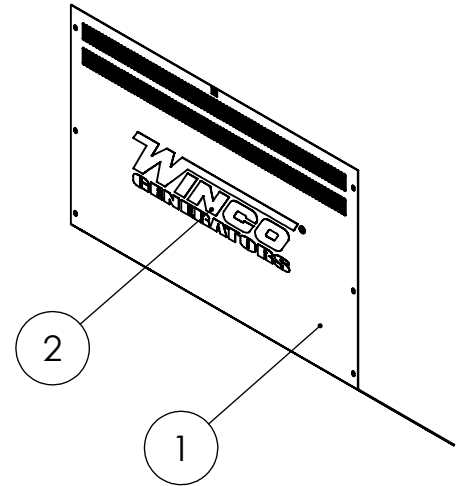


Housing Continued.

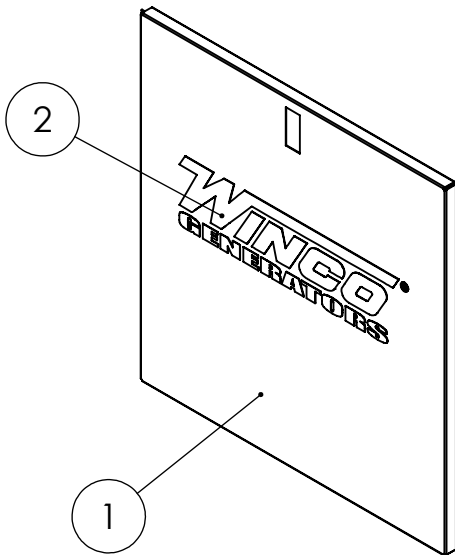
ITEM NO.	PART NUMBER	DESCRIPTION	QTY.
1	463-000	HEX BOLT .25-20X.50	16
2	466-001	.25-20X 1.75 HHB	4
3	467-000	HHCS 5/16-18X.75	12
4	512-000	.25 WASHER	16
5	526-000	5/16 FLAT WASHER	12
6	16248-000	.25-20 FLANGE NUT	22
7	16249-000	.3125-18 FLANGE	14
8	16446-000	M8-1.25 NYLOCK	8
9	21698-001	TORX PAN HEAD SCREW #10	10
10	65000-001	.25-20X.75 SS HHCS	35
11	65003-000	SS LOCK WASHER ID.25 OD.475 TH.07	39
12	65005-000	.25 WASHER SS	39
13	92495-000	.25-20 TINNERMAN	37
14	94980-001	THREAD STUD .25-20X.625	6
15	95229-004	LATCH	4
16	350054-5	HINGE BLACK	2
17	352308-002	FRONT RIGHT SNORKEL	1
18	352308-003	FRONT LEFT SNORKEL	1
19	352308-009	DOOR STOP	1
20	352308-010	SIDE SILL	2
21	352308-011	RIGHT REAR CORNER	1
22	352308-012	LEFT REAR CORNER	1
23	352308-015	REAR BAFFLE	3
24	352308-016	SNORKEL TOP	1
25	352308-017	REAR LEFT BAFFLE	1
26	352308-018	DOOR	1
27	352308-019	REAR BOTTOM BAFFLE	1
28	352308-062	REAR PANEL WITH BAFFLE	1
29	352308-063	ROOF	1
30	352308-065	REAR TOP	1
31	352308-091	RIGHT SIDE PANEL	1
32	352308-092	FRONT RIGHT CORNER	1
33	352308-093	FRONT LEFT CORNER	1
34	352308-094	LEFT SIDE PANEL	1
35	352308-095	SNORKEL FRONT	1
36	489020-002	RADIATOR FILL CAP DR20	1
37	492012-500	FOAM KIT DR12	1

Snorkel Front

ITEM NO.	PART NUMBER	DESCRIPTION	QTY.
1	352308-064	SNORKEL FRONT	1
2	98313-001	WINCO LOGO	1



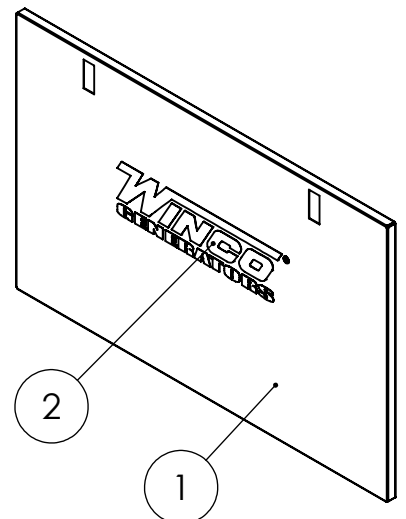
Right Side Panel



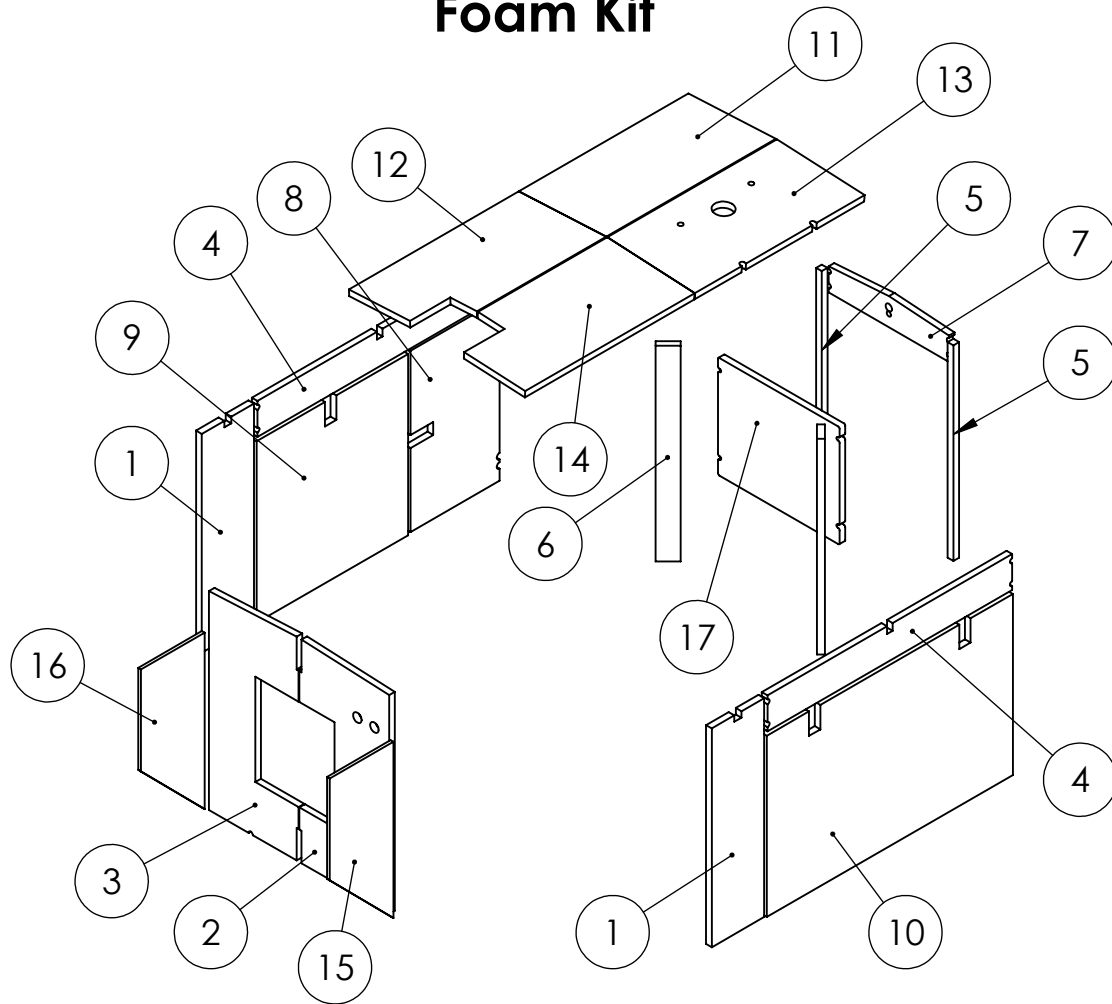
ITEM NO.	PART NUMBER	DESCRIPTION	QTY.
1	352308-091	RIGHT SIDE PANEL	1
2	98313-001	WINCO LOGO	1

Left Side Panel

ITEM NO.	PART NUMBER	DESCRIPTION	QTY.
1	352308-007	LEFT SIDE PANEL	1
2	98313-001	WINCO LOGO	1

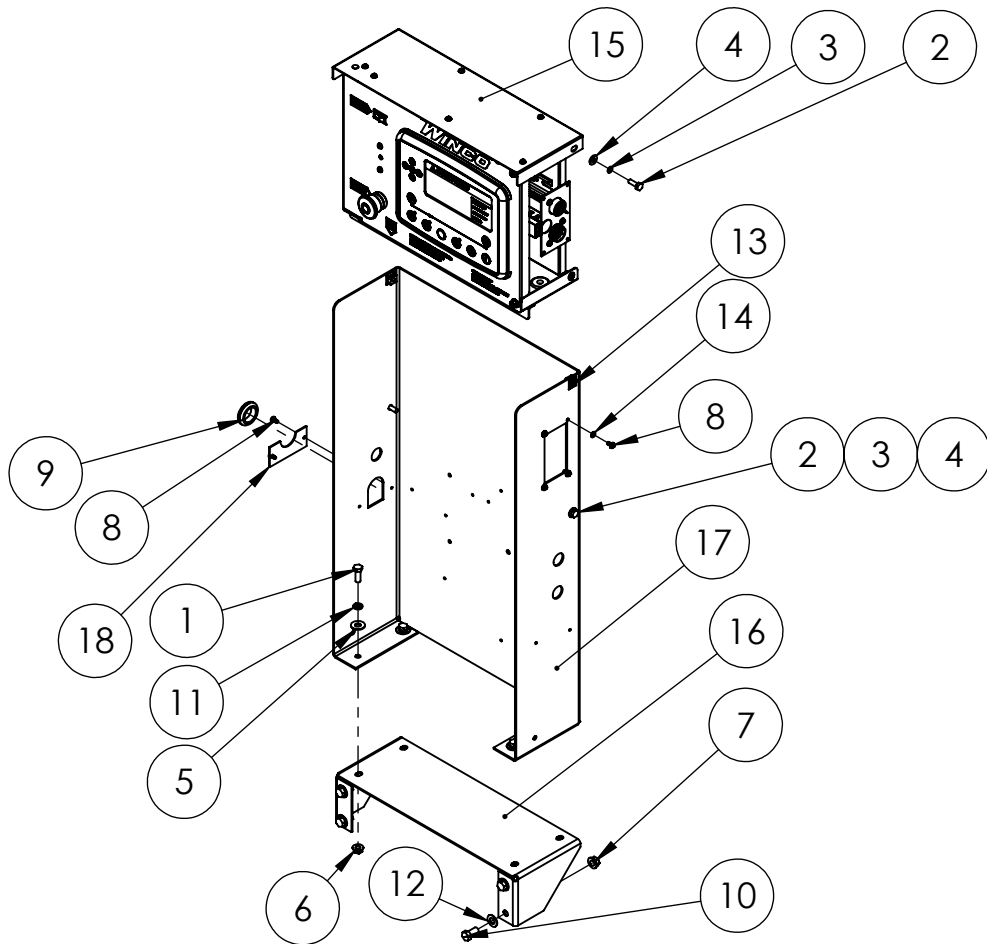


Foam Kit



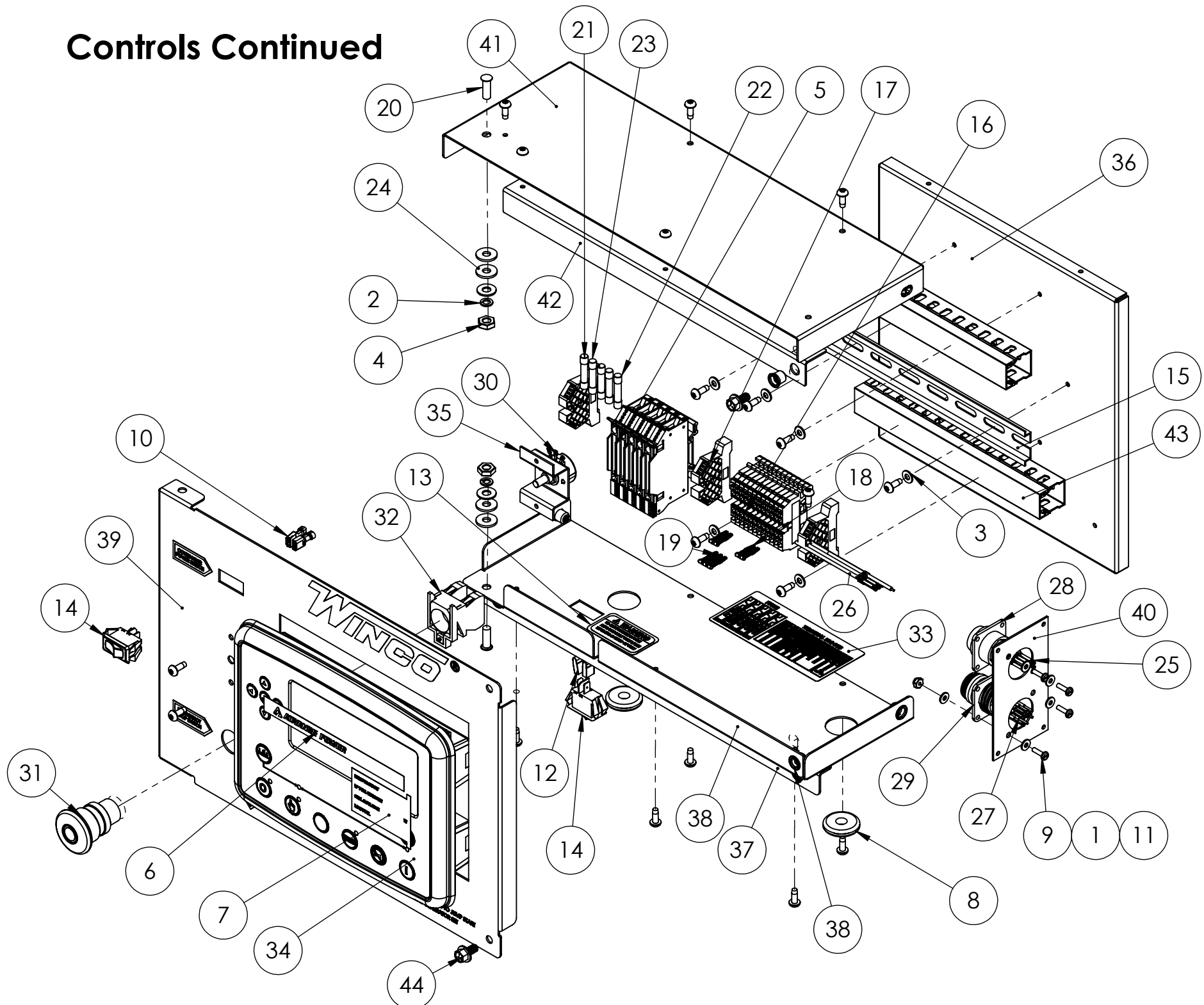
ITEM NO.	PART NUMBER	DESCRIPTION	QTY.
1	352303-42	FRONT SIDE FOAM	2
2	352303-100	LEFT FRONT CORNER FOAM	1
3	352303-101	RIGHT FRONT CORNER FOAM	1
4	352303-43	SIDE SILL FOAM	2
5	352303-47	BAFFLE FOAM SMALL	2
6	352303-48	BAFFLE FOAM LARGE	2
7	352303-49	REAR TOP FOAM	1
8	352303-46	DOOR FOAM	1
9	352303-102	RIGHT SIDE PANEL FOAM	1
10	352303-44	LEFT PANEL FOAM	1
11	352303-53	RIGHT REAR ROOF FOAM	1
12	352303-51	RIGHT FRONT ROOF FOAM	1
13	352303-54	LEFT REAR ROOF FOAM	1
14	352303-52	LEFT FRONT ROOF FOAM	1
15	352303-55	SNORKEL LEFT FOAM	1
16	352303-56	SNORKEL RIGHT FOAM	1
17	352303-61	REAR PANEL FOAM	1

Control Pedestal



ITEM NO.	PART NUMBER	DESCRIPTION	QTY.
1	465-000	.3125-18x.875 HHB	4
2	466-000	.25-20X.75 HHB	4
3	479-000	LOCK WASHER, .25" SPLIT	4
4	512-000	.25 WASHER	4
5	526-000	5/16 FLAT WASHER	4
6	16249-000	.3125-18 FLANGE	4
7	16250-000	FLANGE NUT 3/8-16	4
8	21698-001	TORX PAN HEAD SCREW #10	6
9	62486-000	GROMMET 1 X 1.375	1
10	65002-000	.375-16X.75 HHB SS	4
11	65003-001	LOCKWASHER 5/16 SPLIT SS	4
12	65005-002	.375 FLATWASHER SS	4
13	92495-002	1/4-20 TINNEMAN (12 GA)	2
14	96286-002	FLAT WASHER NYLON	4
15	351891-54	CONTROLLER ASSEMBLY, DSE7310 MKII, UNIVERSAL	1
16	352290-2	PEDISTAL MOUNT	1
17	352290-3	CONTROL PEDISTAL MKII	1
18	352306-42	BATTERY PLUG COVER	1

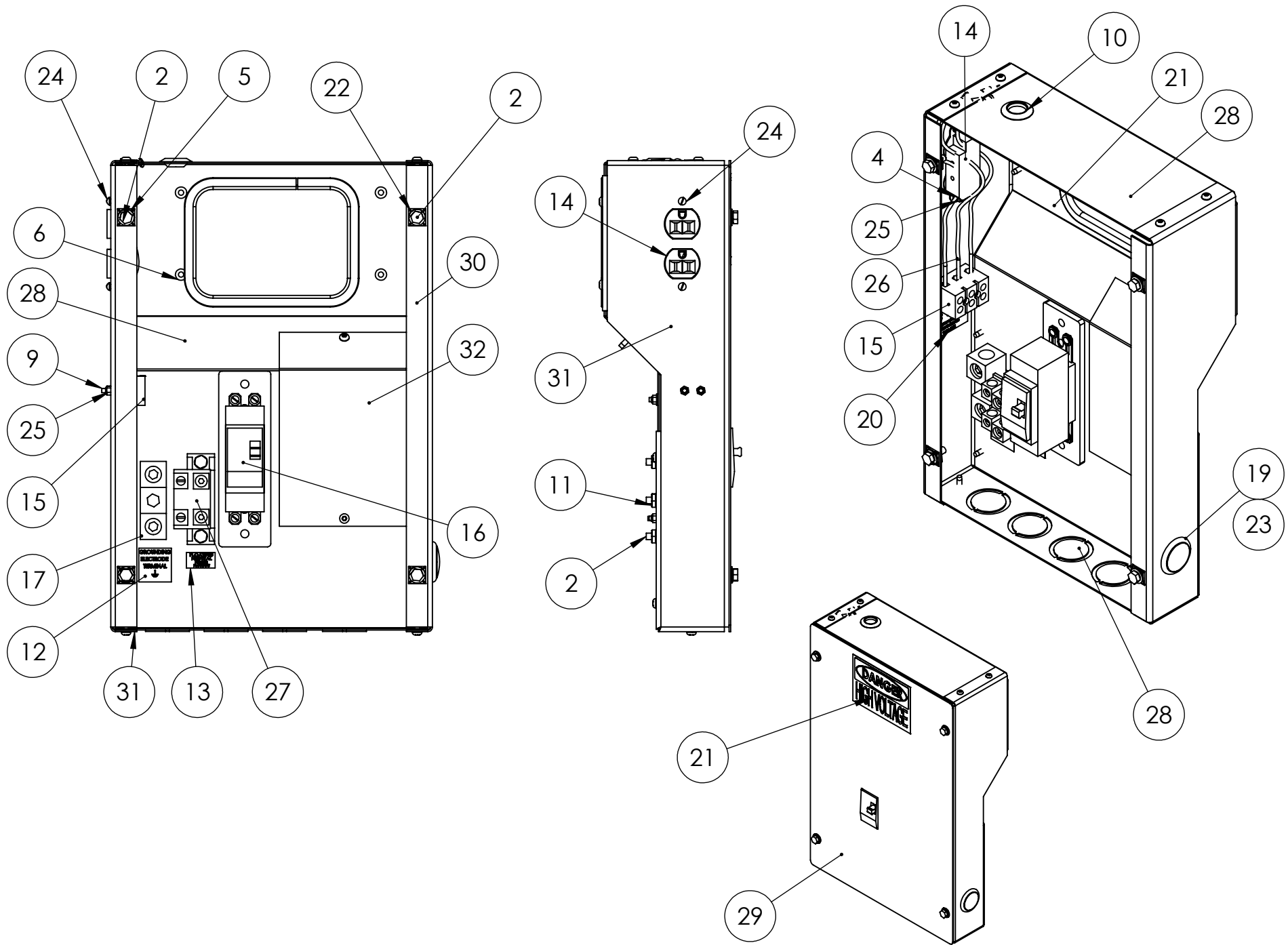
Controls Continued



Controls Continued

ITEM NO.	PART NUMBER	DESCRIPTION	QTY.
1	425-000	#6 FLATWASHER	8
2	479-000	LOCK WASHER, .25" SPLIT	2
3	598-000	#10 WASHER	6
4	638-000	HEX NUT, .25IN	2
5	2489-003	DIN RAIL FUSE HOLDER 1-1/4 X 1/4IN	5
6	16600-005	DSE MKII ADVANCE POWER LOGO INSERT	1
7	16601-007	DSE 8610 MKII LIGHT LEGEND CARD INSERT	1
8	23917-002	GROMMET, .375ID X 1	2
9	24988-000	SCREW 6-32 X 1/2 BIND	4
10	48602-003	TERMINAL FEMALE 16-14 AWG .250 TAB	3
11	51802-000	NUT HEX #6-32 NYLOCK	4
12	61898-000	TERMINAL FLAG 16/14AWG .250	2
13	63941-004	DECAL FUSE WARNING (ENGLISH)	1
14	64089-000	SPST, ROCKER SWITCH	2
15	64551-005	DIN RAIL 9.5"	1
16	80623-009	TERMINAL BLOCK, DIN MOUNTED, SPRING CAGE	12
17	80623-010	END BLOCK, DIN MOUNTED	3
18	80623-011	2-POLE TERMINAL BLOCK JUMPER	2
19	80623-012	3-POLE TERMINAL BLOCK JUMPER	1
20	94980-003	THREAD STUD .25-20 X .750	2
21	95064-006	FUSE AGC 10 AMP	1
22	95064-008	FUSE AGC 2 AMP	3
23	95064-000	FUSE AGC 3 AMP	1
24	96286-001	1/4" NYLON WASHER	4
25	96923-001	TERMINAL, SOCKET, 18-16AWG	10
26	96923-101	PLUG TERMINAL	4
27	96924-001	TERMINAL, PIN, 18-16AWG	16
28	96925-002	14 PIN CONNECTOR	1
29	96925-006	16 PIN CONNECTOR	1
30	97517-001	RHEOSTAT	1
31	99783-001	SWITCH, PUSH-PULL	1
32	99783-002	SWITCH CONTACT	1
33	351095-16	DECAL, FUSES AND TERMINAL BLOCKS	1
34	351112-29	DEEP SEA ELECTRONICS 7310 MKII	1
35	351900-36	RHEOSTAT MOUNTING BRACKET	1
36	351900-42	DIN RAIL MOUNTING PLATE	1
37	351900-44	COVER SUPPORT BRACKET	1
38	351900-45	DSE8610 CONTROL BOX BOTTOM	1
39	351900-47	DSE 7310 MKII FRONT PANEL	1
40	351900-51	PLUG MOUNTING PLATE	1
41	351900-52	DSE CONTROL BOX TOP	1
42	351900-53	DSE PANEL STOP	1
43	352017-001	WIRE DUCT, 8.5IN	2
44	352120-1	1/4-20 X .500 FHCS	2
45	352125-1	1/4-20 RIVET NUT 22 GA-10GA	1
46	512-000	.25 WASHER	2
47	21698-001	TORX PAN HEAD SCREW #10	19

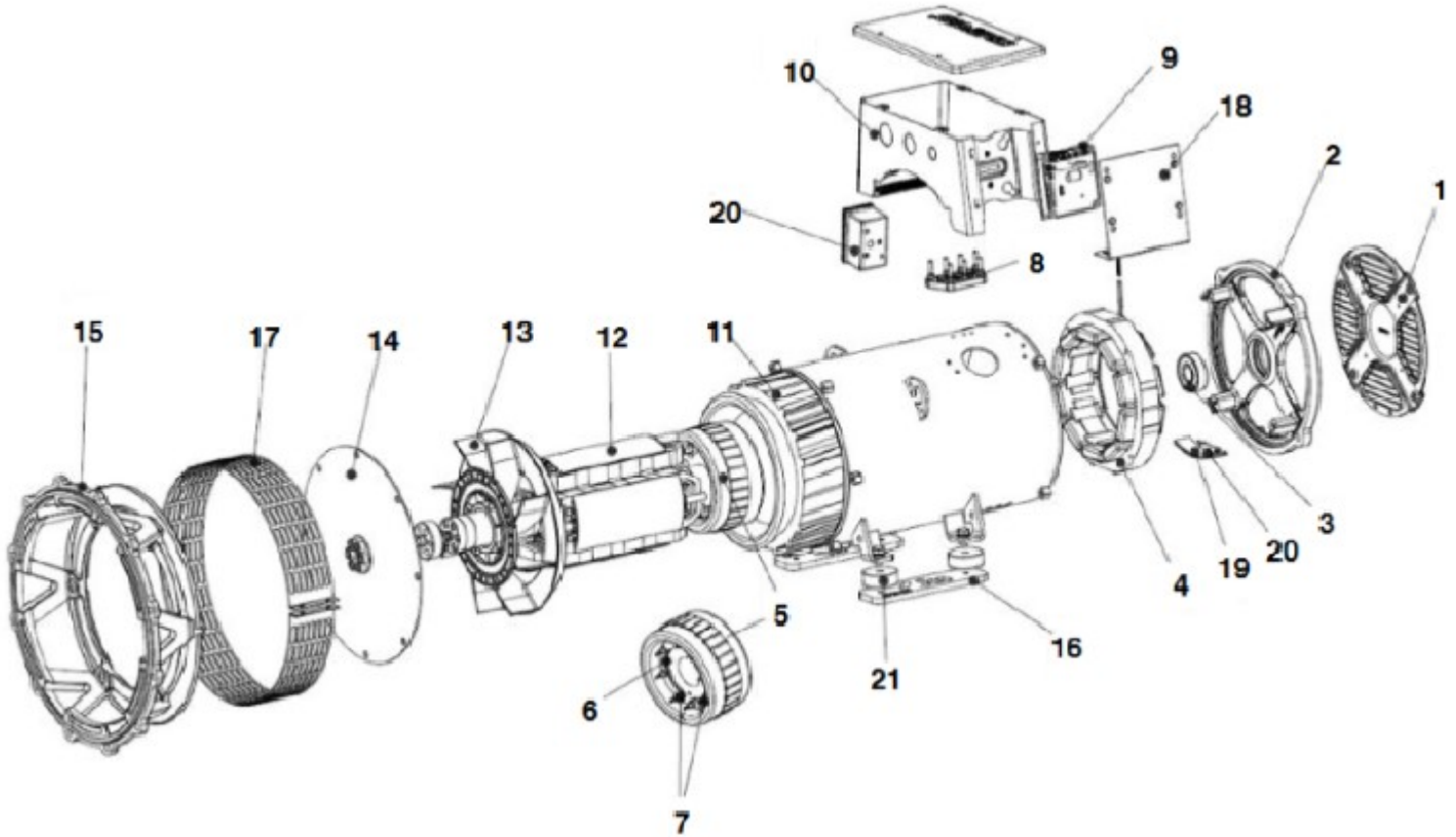
CB Assembly



CB Assembly continued

ITEM NO.	PART NUMBER	DESCRIPTION	QTY.
1	439-000	HHB .25-20 X 1	1
2	466-000	.25-20X.75 HHB	6
3	479-000	LOCK WASHER, .25" SPLIT	4
4	511-000	#8 FLATWASHER	2
5	512-000	.25 WASHER	4
6	598-000	#10 WASHER	12
7	1000-0539	DR12/20 CB RISER	1
8	7614-000	RHMS 8-32 X .75	4
9	10846-000	RHMC 8-32 X 1.5	2
10	15102-001	HOLE PLUG 7/8 POLY	1
11	16248-000	.25-20 FLANGE NUT	3
12	16499-000	UL-DECAL-GROUNDING-WHITE	1
13	16501-000	DECAL-FLOATING NEUTRAL	1
14	24749-000	RECEPTACLE NEMA 5-15R DUPLEX	1
15	51795-000	3 PT TERMINAL BLOCK	1
16	57030-000	CIR. BRK. 50A-2PL-240V	1
17	58060-000	TERMINAL GROUND LUG	2
18	58684-000	EDGE TRIM 21.6"	1
19	62486-000	GROMMET 1 X 1.375	1
20	64576-006	DECAL-GFCI PROTECTED UTILITY	1
21	91498-000	DECAL-DANGER HIGH VOLTAGE 3.5x5	1
22	92495-000	.25-20 TINNERMAN	4
23	93402-003	HOLE PLUG 1" DIA.	1
24	94000-000	RHMS 8-32X1/2	2
25	95985-000	NUT HEX #8-32 NYLOK	8
26	300538-23	WIRE HARNESS KIT	1
27	350124-3	NEUTRAL ASSEMBLY 100 AMP	1
28	352308-027	CB MAIN BOX	1
29	352308-028	CB COVER	1
30	352308-032	CB LEFT SIDE BOX	1
31	352308-033	CB RIGHT SIDE BOX	1
32	352308-034	AVR COVER	1
33	21698-001	TORX PAN HEAD SCREW #10	16

Generator

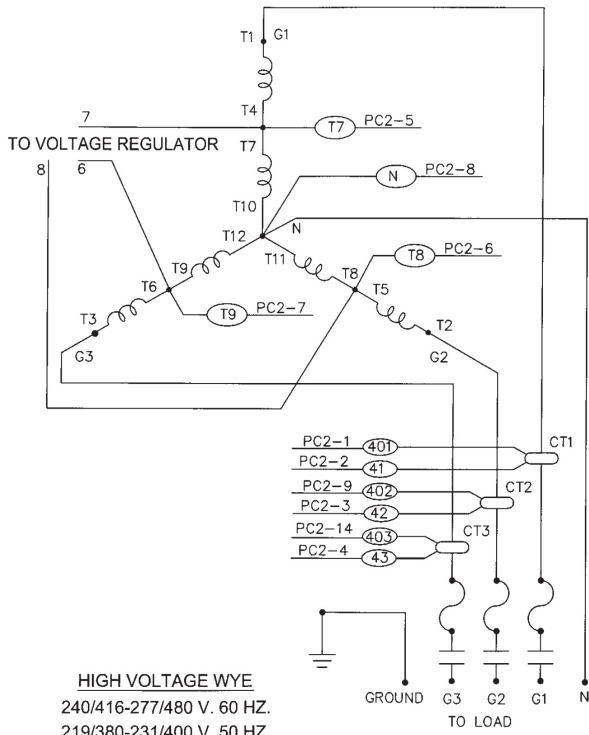


ITEM	DESCRIPTION	DR1214-03	DR121D-04, 17, 18	QTY
--	COMPLETE GENERATOR END	350023-14	350023-15	1
--	STAMFORD MODEL	SOL1-S1	SOL1-P1	-
--	WINDING	706	711	1
6	KIT, RECTIFIER, F1	8-107		1
7	KIT, DIODE REPAIR	8-108		1
9	AVR AS540	8-101		1
Contact Winco for additional generator parts support.				

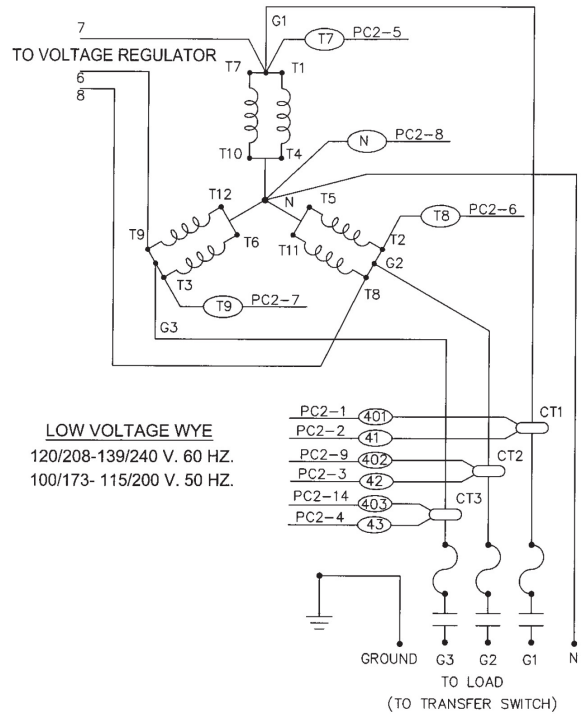
EXPECTED RESISTANCE (Ω) @ 22°C (+/-10%)		
MODEL	SOL1-S1 706	SOL1-P1 711
STATOR WINDING (PER PHASE SERIES CONNECTED)	0.191	0.641
ROTOR WINDING	.524	.509
EXCITER STATOR)	17.638	
EXCITER ROTOR (PER PHASE)	0.101	
POSSITIVE SEQUENCE (R1)	0.239	0.801
NEGATIVE SEQUENCE (R2)	0.275	0.923
ZERO SEQUENCE (R0)	0.239	0.801
AUX WINDING	N/A	

Generator Connections

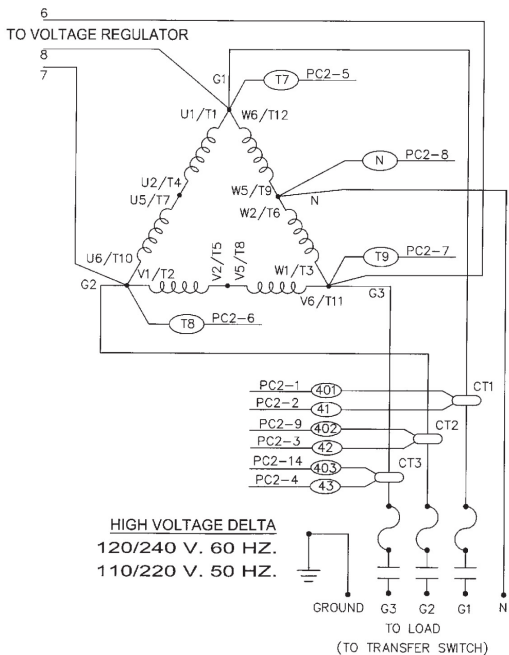
THREE PHASE - HIGH WYE 277/480V



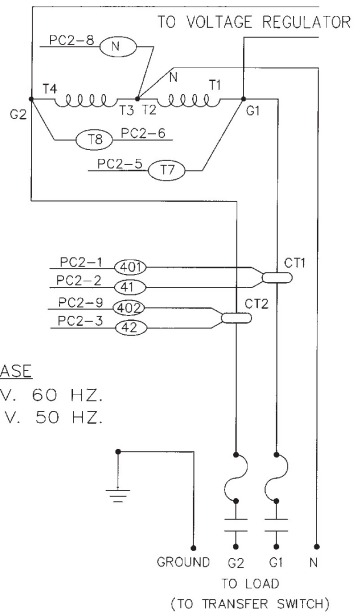
THREE PHASE - LOW WYE 120/208V



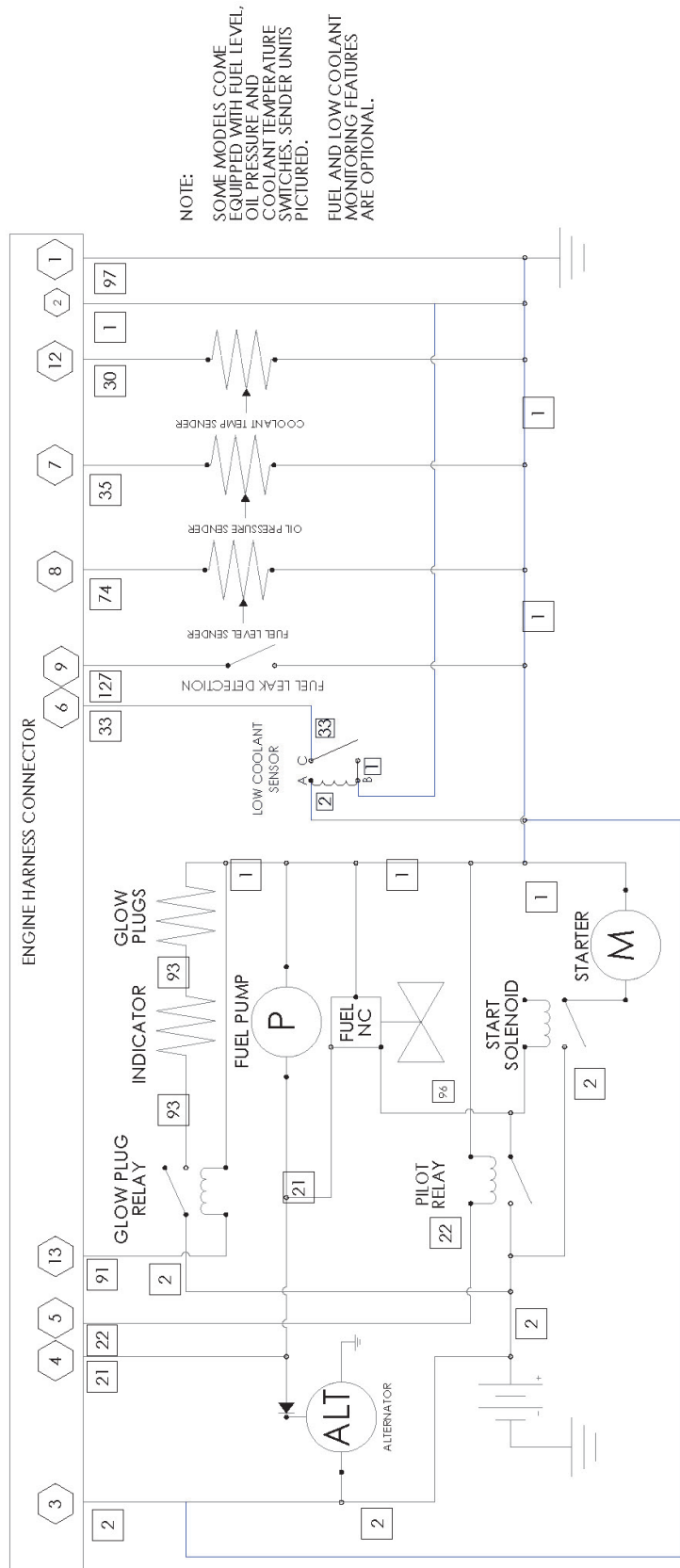
THREE PHASE DELTA 120/240V



SINGLE PHASE 120/240V



Engine Wiring Schematic



NOTE:
 SOME MODELS COME
 EQUIPPED WITH FUEL LEVEL,
 OIL PRESSURE AND
 COOLANT TEMPERATURE
 SWITCHES. SENDER UNITS
 PICTURED.
 FUEL AND LOW COOLANT
 MONITORING FEATURES
 ARE OPTIONAL.