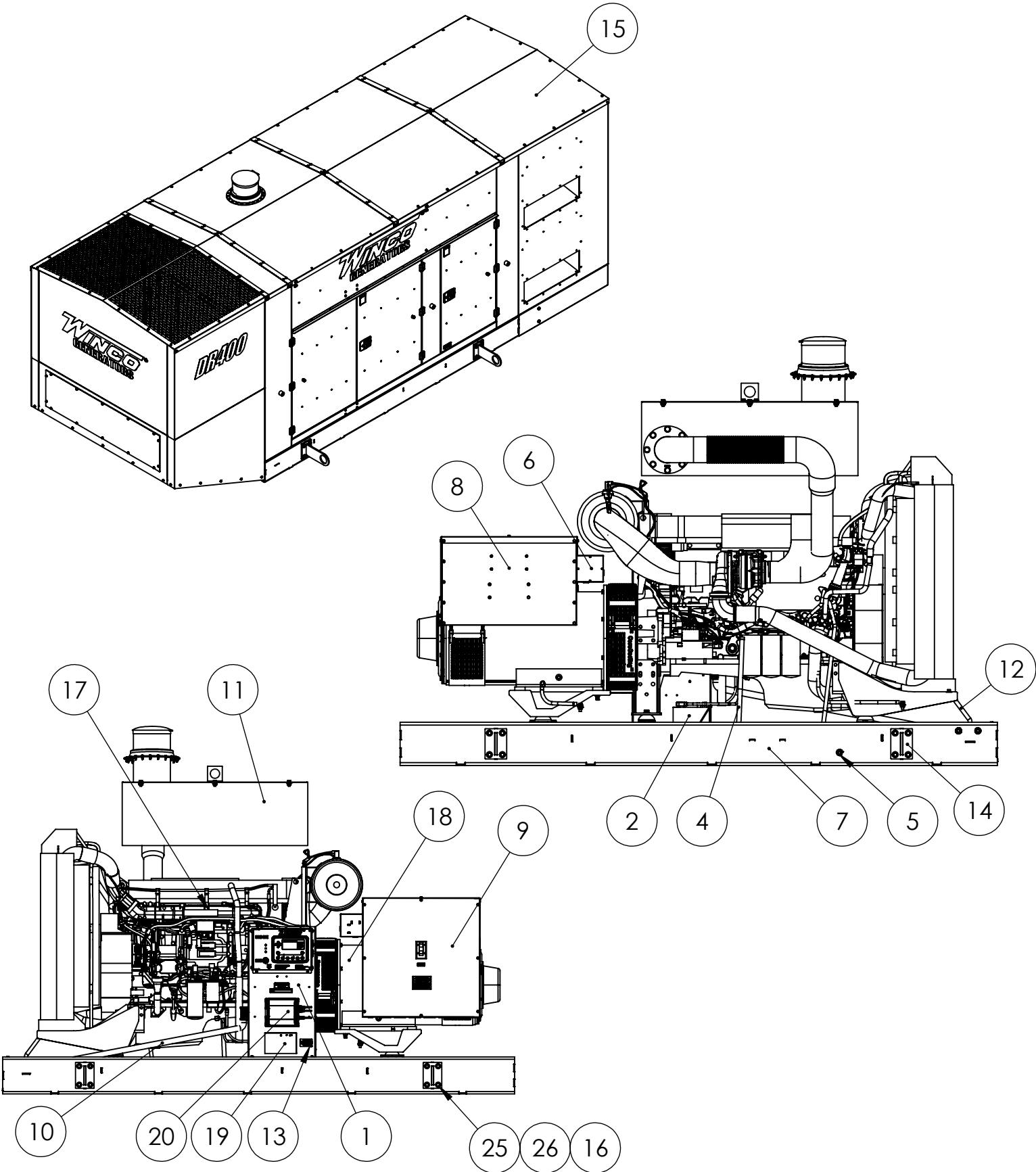


**WINCO Service**  
Phone: 507-357-6831  
Email: [service@wincogen.com](mailto:service@wincogen.com)  
[www.wincogen.com](http://www.wincogen.com)

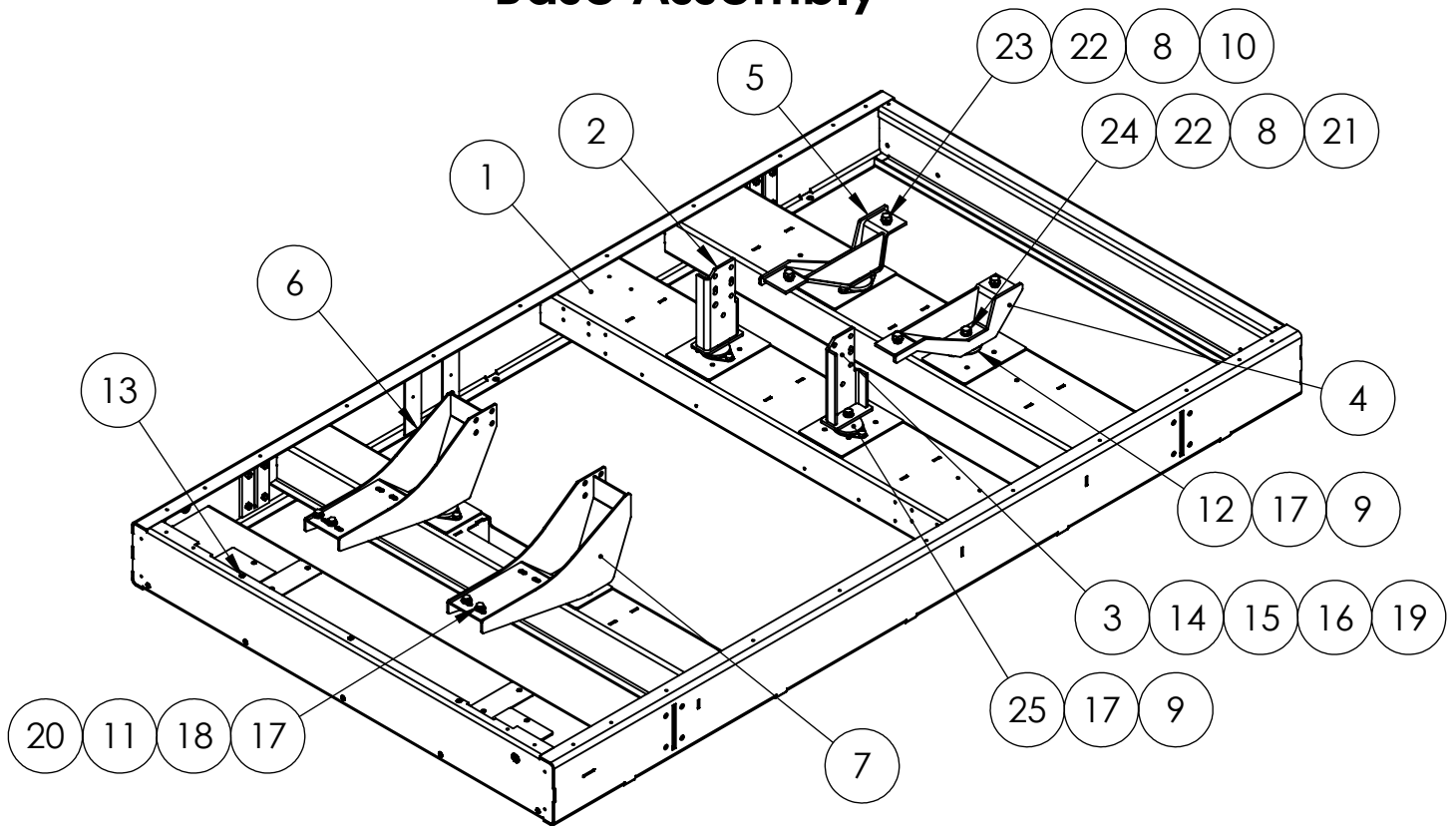
# General Assembly



## General Assembly Continued.

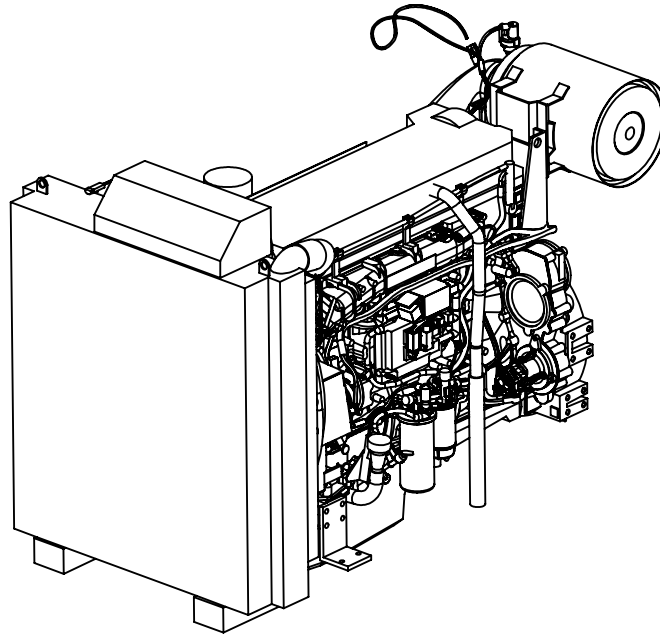
ITEM NO.	PART NUMBER	DESCRIPTION	QTY.
1	1000-0024	CONTROLLER ASSEMBLY	1
2	1000-0278	BATTERY TRAY KIT, DR600	1
3	1000-0294	HARDWARE KIT, DR600	1
4	1000-0392	WATER HEATER ASY - 3000W	1
5	1000-0396	(OIL DRAIN ASSY - DR600)	1
6	1000-0416	AC CONNECTION BOX ASSY	1
7	1000-0514	DR400 BASE ASSEMBLY	1
8	1000-0520	S4 SERIES OUTLET BOX ASSEMBLY	1
9	1000-0526	CB ASSEMBLY, -18	1
10	1000-0529	CRANK BREATHER KIT - DR400	1
11	1000-0530	DR400 EXHAUST ASSEMBLY	1
12	1000-1300	RADIATOR DRAIN ASSY - DR400	1
13	16200-537	MAINTENANCE KIT DECAL	1
14	2000-0193	DR SERIES LIFTING EYE WELDMENT	4
15	2000-0388	GEN 2 HOUSING DR600 FAMILY	1
16	21867-002	WASHER .5 X 1.375 X .146	16
17	350001-68	ENGINE, VOLVO, TAD1353GE GS2, SAE#1-14IN, TIER 3, DR400V4	1
18	350030-33	GEN.END, S4L1D-G4, SAE1-14IN, WDG311, 12-LEAD, PMG - MX321, UL1004	1
19	351559-12	DECAL PACKAGE	1
20	352020-25	24 VOLT 8 AMP BATTERY CHARGER KIT	1
21	410400-101	CB WIRING DR400	1
22	410600-100	AC HARNESS DR600	1
23	411400-000	DC HARNESS	1
24	411600-003	DC 12V LIGHTING HARNESS	1
25	57580-001	HHCS 1/2-13X2-1/2 GR5	16
26	636-000	LOCKWASHER 1/2 SPLIT	16

# Base Assembly



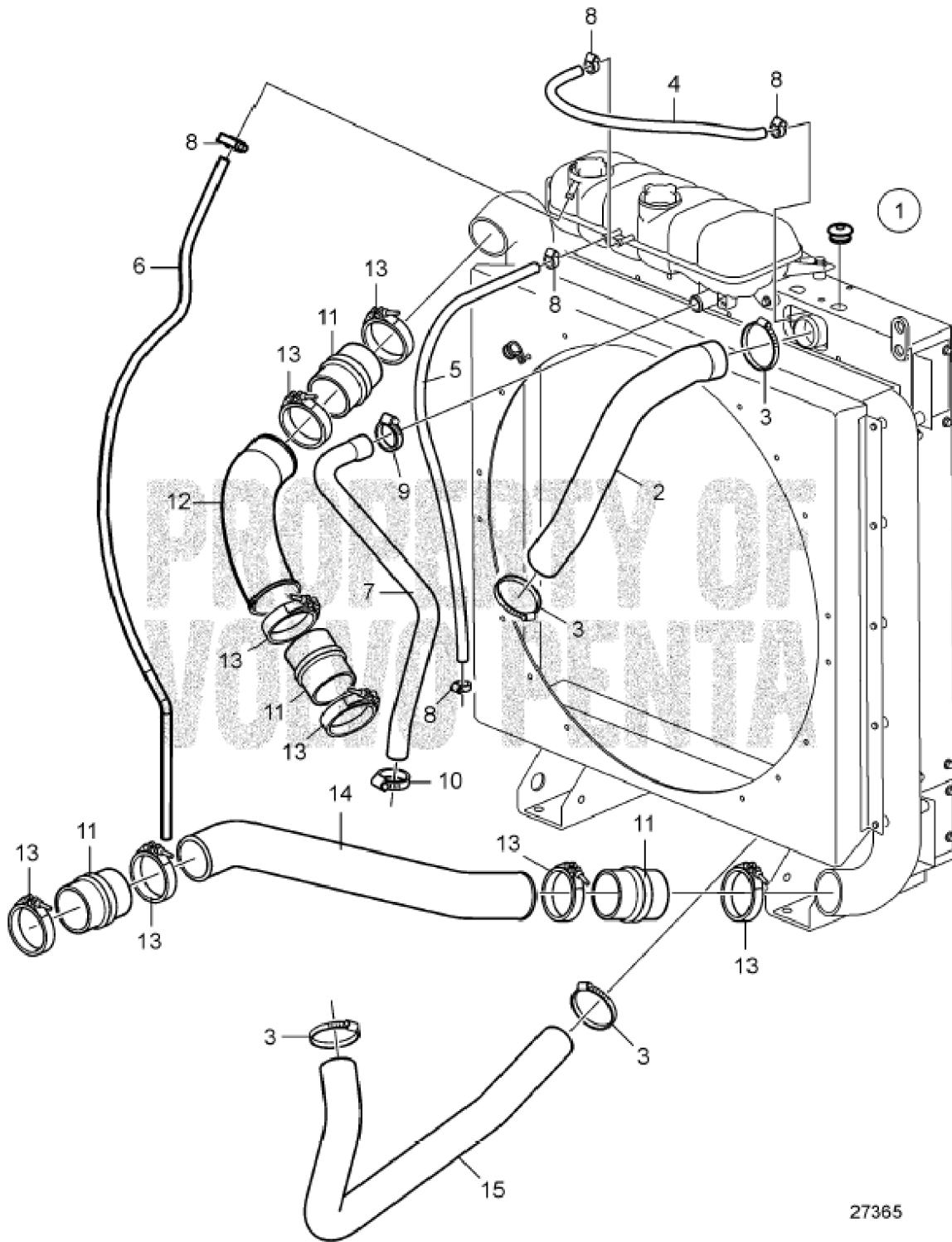
ITEM NO.	PART NUMBER	DESCRIPTION	QTY.
1	1000-0001	DR600 BASE WELDMENT	1
2	1000-0015	FRONT LEFT ENGINE MOUNT ASSY.	1
3	1000-0018	FRONT RIGHT ENGINE MOUNT ASSY.	1
4	1000-0505	LEFT SIDE GEN MOUNT ASSEMBLY	1
5	1000-0507	RIGHT SIDE GEN MOUNT ASSEMBLY	1
6	1000-0512	FRONT RIGHT ENGINE MOUNT ASSEMBLY	1
7	1000-0513	FRONT LEFT ENGINE MOUNT ASSEMBLY	1
8	1178-000	FLAT WSH .760 X 1.375 X .0897	8
9	16248-001	.5-13 FLANGE NUT	12
10	16250-001	.75 -10 FLANGE NUT	4
11	21867-002	WASHER .5 X 1.375 X .146	4
12	350944-3	SHOCKMOUNT DUROMETER 60	4
13	352126-1	RIVET NUT 5/16-18 .027-.150	8
14	3577-000	5/8 LOCKWASHER SPLIT	2
15	448-000	5/8-11, Heavy Hex Nut	2
16	516-000	FLAT WASHER 5/8 I.D. 1.31 O.D. STEEL ZINC	2
17	57580-000	HHCS 1/2-13 X 1.5 GR5	16
18	636-000	LOCKWASHER 1/2 SPLIT	4
19	91083-001	HHCS 5/8-11 X 1.5 GR5	2
20	92242-000	NUT HEX .500-13 NYLOCK	4
21	93709-000	NUT HEX .75-10	4
22	93710-000	ID.77 OD1.25 TH.20 LOCK	8
23	93711-004	.75-10X2.5	4
24	93711-000	.75-10X2 HHB	4
25	98987-001	SHOCKMOUNT 1050LB .625 HEAVY NUT (NO STAMP)	2

# Engine



ITEM NO.	PART NUMBER	DESCRIPTION	QTY.
1	15-115	AIR FILTER	1
2	15-117	OIL FILTER	2
3	15-116	OIL FILTER	1
4	15-103	FUEL FILTER, SPIN ON	1
5	15-104	FUEL FILTER, SEDIMENT BOWL	1
<b>ALL ITEMS LISTED IN THE ABOVE TABLE ARE INCLUDED WITH A 16200-037 MAINTENANCE KIT PURCHASE</b>			
6	15-120	STARTER MOTOR	1
7	15-121	ALTERNATOR	1
8	15-118	ALTERNATOR BELT	1
9	15-119	FAN BELT	1
Contact Winco service for full engine parts support.			

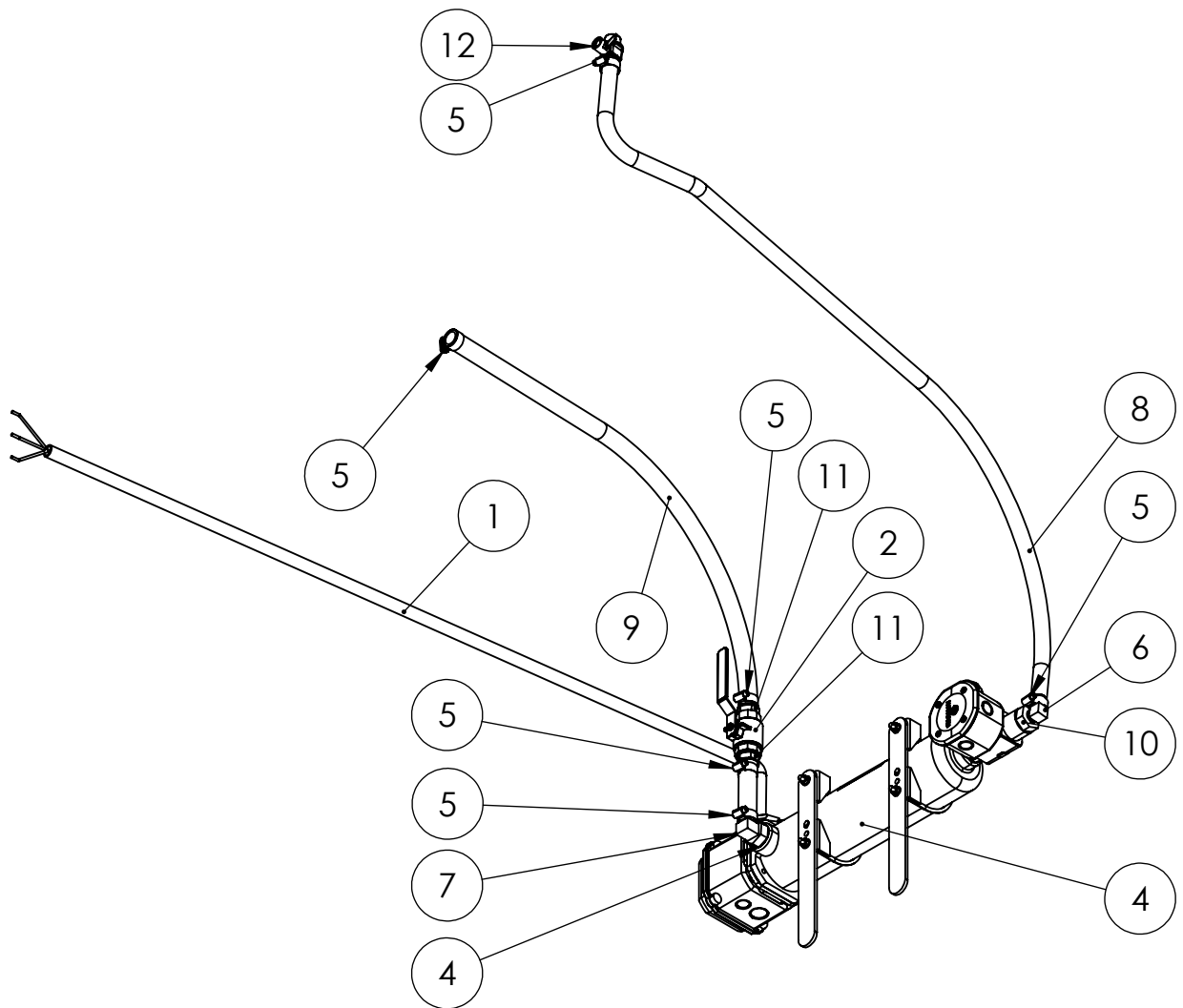
# Radiator Hoses



27365

ITEM NO.	PART NUMBER	DESCRIPTION	QTY.
2	15-123	UPPER RADIATOR HOSE	1
15	15-122	LOWER RADIATOR HOSE	1

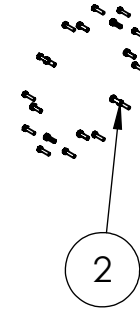
# Block Heater



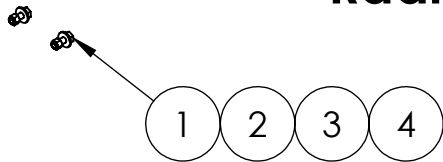
ITEM NO.	PART NUMBER	DESCRIPTION	QTY.
1	1000-0393	HARNESS H2O CL-SERIES VOLVO DR FAMILY	1
2	1000-0445	VALVE, BALL .75 FEMALE NPT TO .75 FEMALE NPT - BRASS	1
3	49975-011	CABLE TIE 7IN, BLACK, 50# PULL	3
4	80781-020	HEATER, BLOCK	1
5	81018-005	HOSE CLAMP 1.0625-.500	6
6	92382-001	HOSE FIT.ELBOW .500NPT X .625 HOSE	1
7	92382-002	HOSE FIT.ELBOW .500NPT X .75 HOSE	1
8	93689-001	HOSE, 0.625 ID, 56 IN. LONG	1
9	93689-000	HOSE, 0.75 ID, 36 IN. LONG	1
10	93726-000	HEX REDUCER BUSHING 1X1/2 BRASS	2
11	94319-005	HOSE FITTING 3/4-14NPT X 3/4" ID, NON-SWIVEL	2
12	98906-014	OIL DRAIN VALVE M22-1.50 X 5/8 FG-7BN	1

# Hardware Kit Assembly

ITEM NO.	PART NUMBER	DESCRIPTION	QTY.
1	1000-0413	(RADIATOR MTG HARDWARE KIT - DR-VOLVO)	1
2	1000-0414	(COUPLING HARDWARE KIT - DR-VOLVO)	1



## Radiator Mounting Hardware

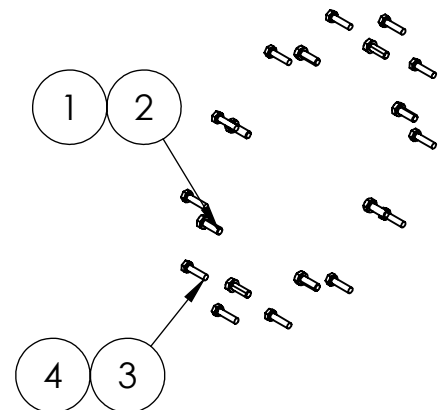


ITEM NO.	PART NUMBER	DESCRIPTION	QTY.
1	57580-000	HHCS 1/2-13 X 1.5 GR5	4
2	636-000	LOCKWASHER 1/2 SPLIT	4
3	92242-000	NUT HEX .500-13 NYLOCK	4
4	21867-002	WASHER .5 X 1.375 X .146	4



## Coupling Hardware

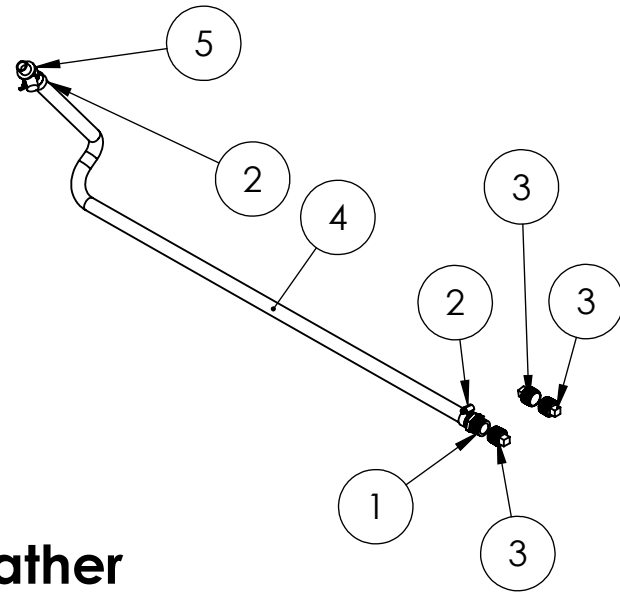
ITEM NO.	PART NUMBER	DESCRIPTION	QTY.
1	93341-012	LOCKWASHER M12 ZINC	8
2	94270-035	HHCS M12-1.75X35MM	8
3	96003-040	HHCS M10-1.5X 40MM BLACK	12
4	97436-010	M10 LOCKWASHER	12



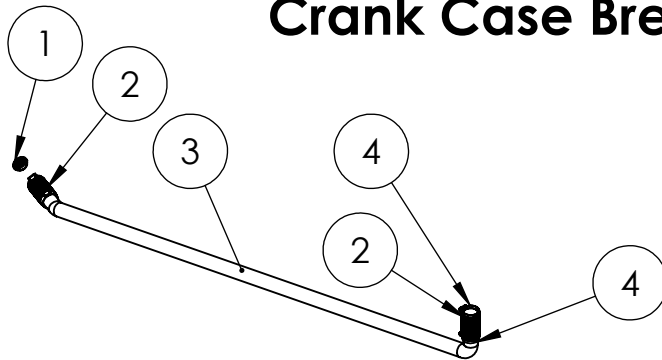


## Radiator Drain

ITEM NO.	PART NUMBER	DESCRIPTION	QTY.
1	72302-008	HOSE FITTING 0.75"NPT X 0.625" HOSE BARB	1
2	81018-005	HOSE CLAMP 1.0625-.500	2
3	93564-000	PIPE PLUG 3/4 SQUARE HEAD	3
4	93689-001	HOSE 0.625 IN ID, RUBBER, 48 IN. LONG (COOLANT DRAIN HOSE - DR400)	1
5	98906-014	OIL DRAIN VALVE M22-1.5 X 5/8 NIPPLE	1



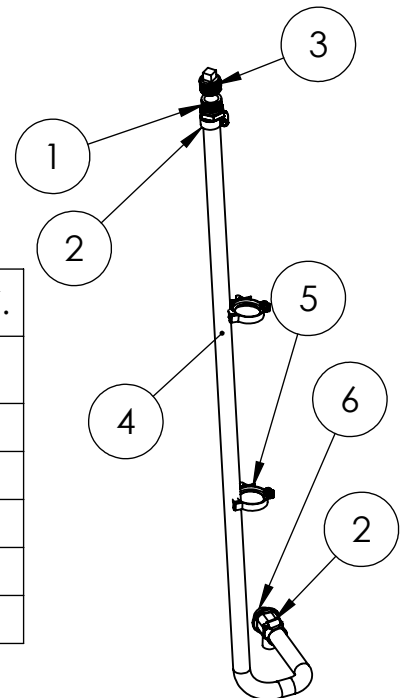
## Crank Case Breather



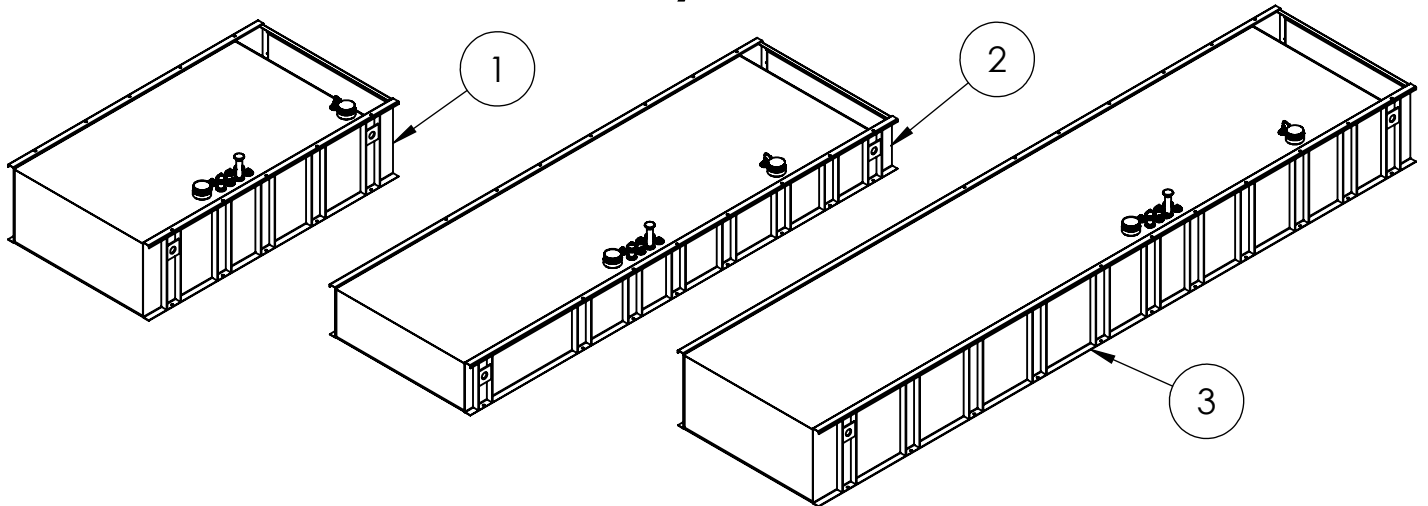
ITEM NO.	PART NUMBER	DESCRIPTION	QTY.
1	1000-0409	RODENT-INSECT COVER 1" NPT, SS, 1.4"DIA	1
2	352104-43	1.5 INCH ID, 3.0 INCH LONG SILICONE COUPLER	2
3	407400-001	PRESSURE RELIEF PIPE, FOR VOLVO TAD1353GE	1
4	81018-001	HOSE CLAMP 2.25-1.25	4

## Oil Drain

ITEM NO.	PART NUMBER	DESCRIPTION	QTY.
1	72302-008	HOSE FITTING 0.75"NPT X 0.625" HOSE BARB	1
2	81018-005	HOSE CLAMP 1.0625-.500	2
3	93564-000	PIPE PLUG 3/4 SQUARE HEAD	1
4	93689-001	(OIL DRAIN HOSE - DR600)	1
5	96116-001	ROSEBUD CLIP 1.00	2
6	98906-017	OIL DRAIN VALVE M24-1.5	1



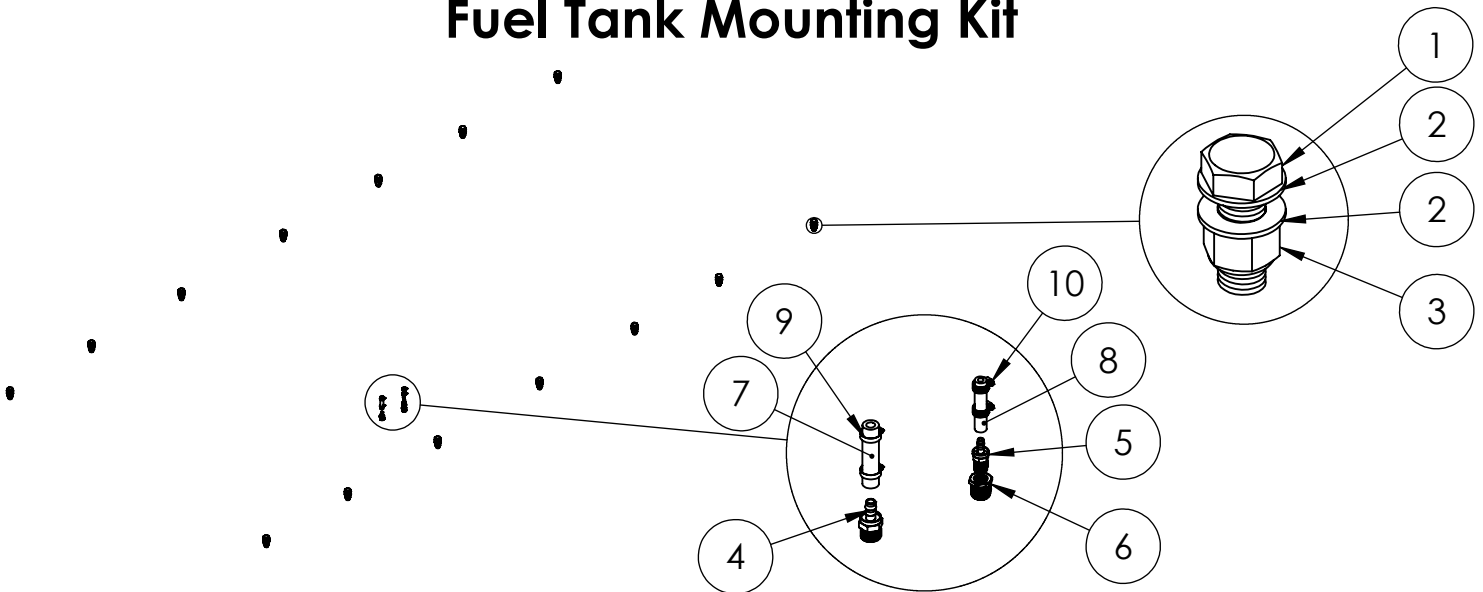
# Fuel System



## FUEL TANK OPTIONS

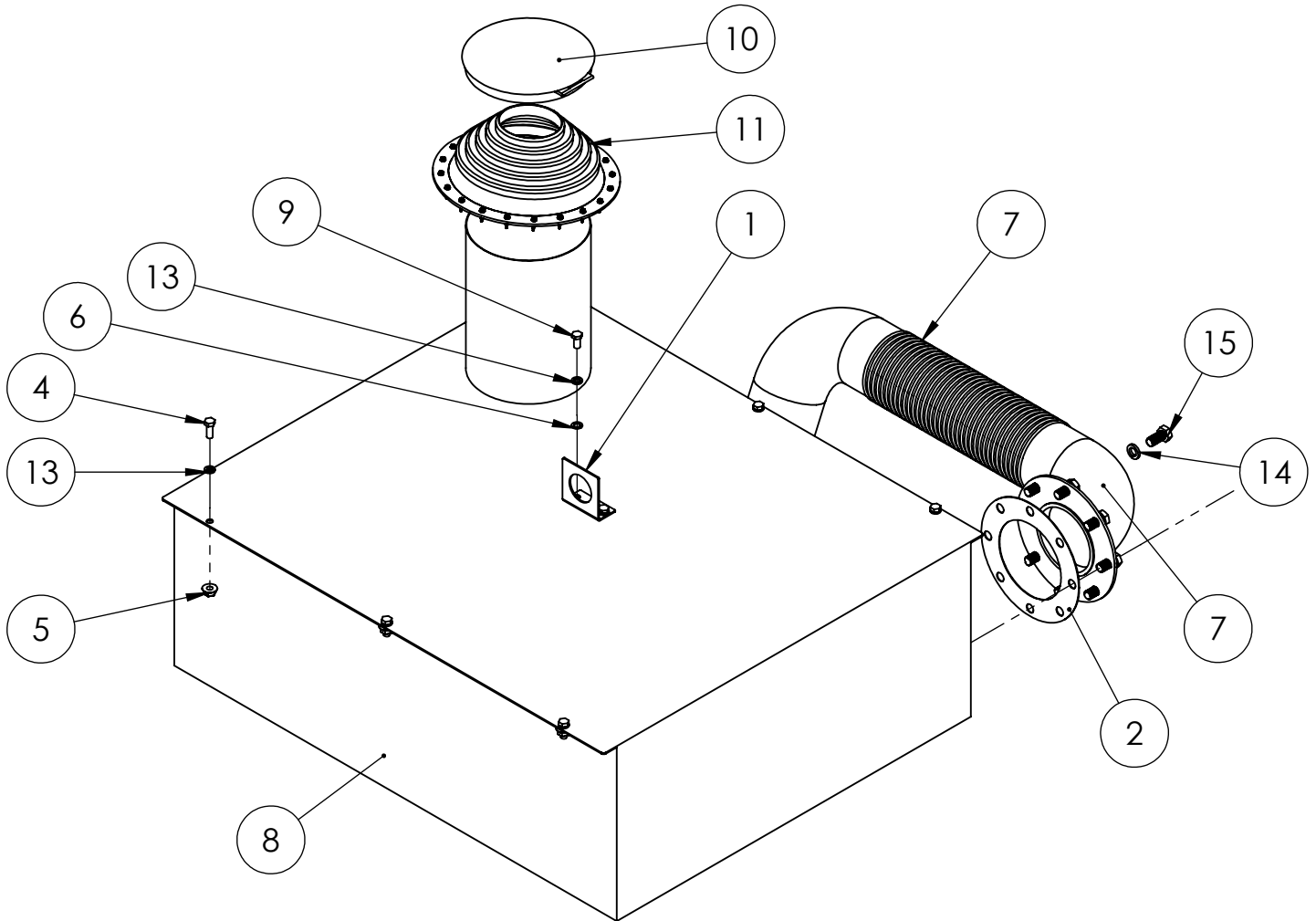
ITEM NO.	PART NUMBER	DESCRIPTION	QTY
1	350041-135	1000 GAL FUEL TANK (FOR OPEN SKID ONLY)	1
2	350041-140	1340 GAL FUEL TANK	2
3	350041-136	3000 GAL FUEL TANK	3

## Fuel Tank Mounting Kit



ITEM NO.	PART NUMBER	DESCRIPTION	QTY.
1	93711-000	.75-10X2 HHB	14
2	1178-000	FLAT WSH .760 X 1.375 X .0897	28
3	65006-006	NUT HEX 3/4-10 NYLOK GR5	14
4	94319-008	HOSE FIT. .500-14NPT X .375 HOSE BARB	1
5	91747-000	HOSE FIT. .25-18NPT X .25 HOSE BARB	1
6	93947-000	.5 NPT MALE X .25NPT FEMALE REDUCER	1
7	55505-000	.375 HOSE PER INCH	1
8	40078-000	.25IN ID RUBBER HOSE PER INCH	1
9	81018-008	HOSE CLAMP .875-.25	2
10	81018-009	HOSE CLAMP .625-.250	2
11	15715-102	DECAL KIT, PACKAGING, ACCESSORIES	1

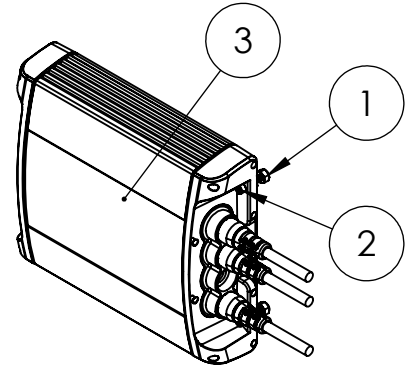
# Exhaust Assembly



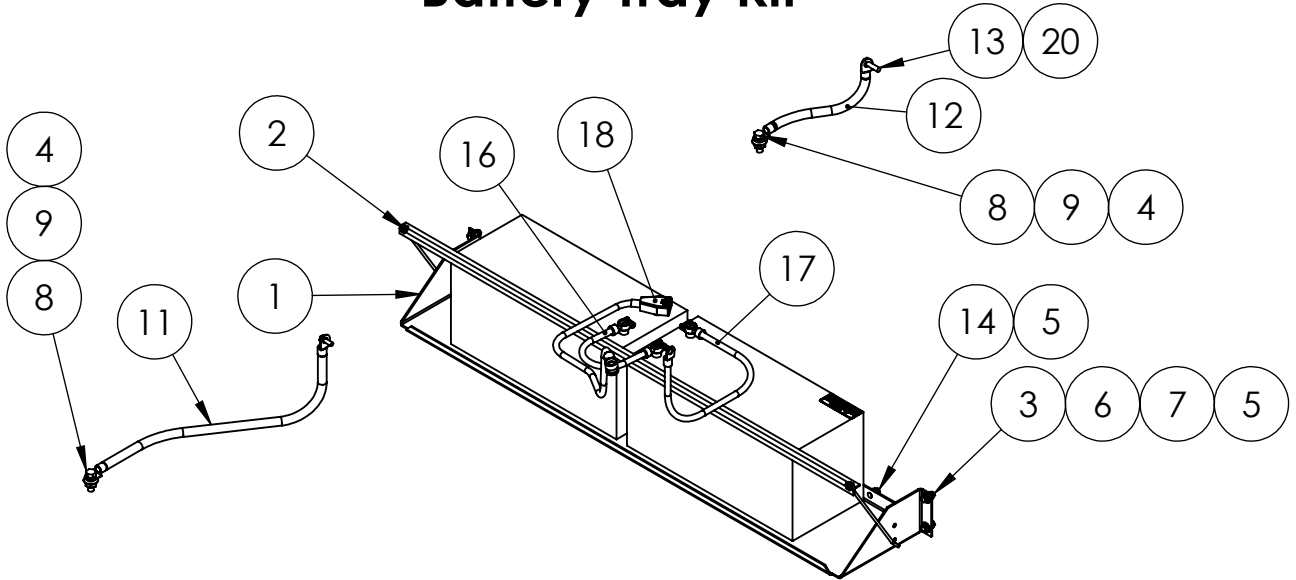
ITEM NO.	PART NUMBER	DESCRIPTION	QTY.
1	1000-0189	LIFTING EYE, DR600 SILENCER	1
2	1000-0241	DR600 EXHAUST FLANGE GASKET	1
3	1178-000	FLAT WSH .760 X 1.375 X .0897	8
4	1516-000	.5-13X1.25 HHB	6
5	16248-001	.5-13 FLANGE NUT	6
6	21867-001	FLAT WASHER .51 X .88 X .05	2
7	407400-002	DR400 EXHAUST PIPE	1
8	407600-002	DR600 BELMAR SILENCER	1
9	48178-000	HHCS 1/2-13 X 1	2
10	53111-019	10" EXHAUST RAIN SHIELD	1
11	53112-000	SILICONE EXHAUST BOOT 6IN - 11IN	1
12	53647-001	SELF DRILLING SCREW #12-14 X 1 SS	20
13	636-000	LOCKWASHER 1/2 SPLIT	8
14	93710-000	ID.77 OD1.25 TH.20 LOCK	8
15	93711-001	.75-10X1.5 HHB	8

# Battery Charger Kit

ITEM NO.	PART NUMBER	DESCRIPTION	QTY.
1	5315-000	NUT HEX 10-24 NYLON	4
2	64872-001	SOC.HCS 10-24 X 1 BLK	4
3	72036-024	BATTERY CHARGER, 120VAC/24VDC, 8.0 AMP, GUEST MODEL 2707A	1

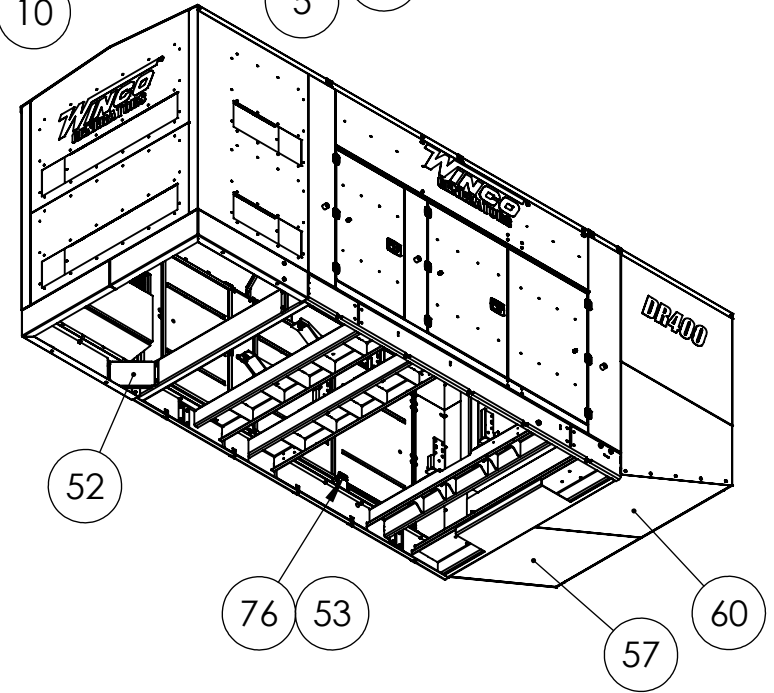
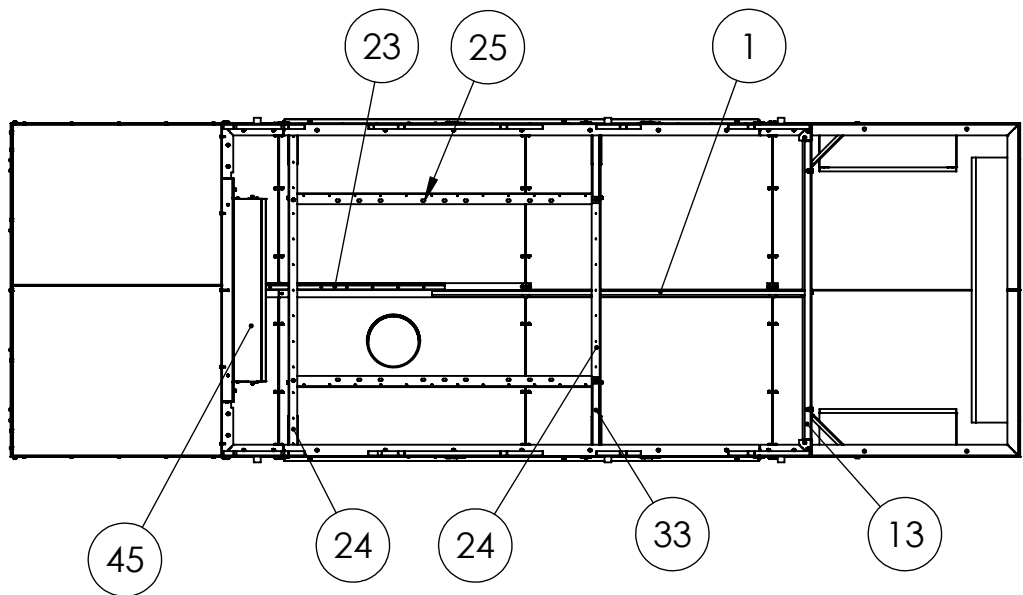
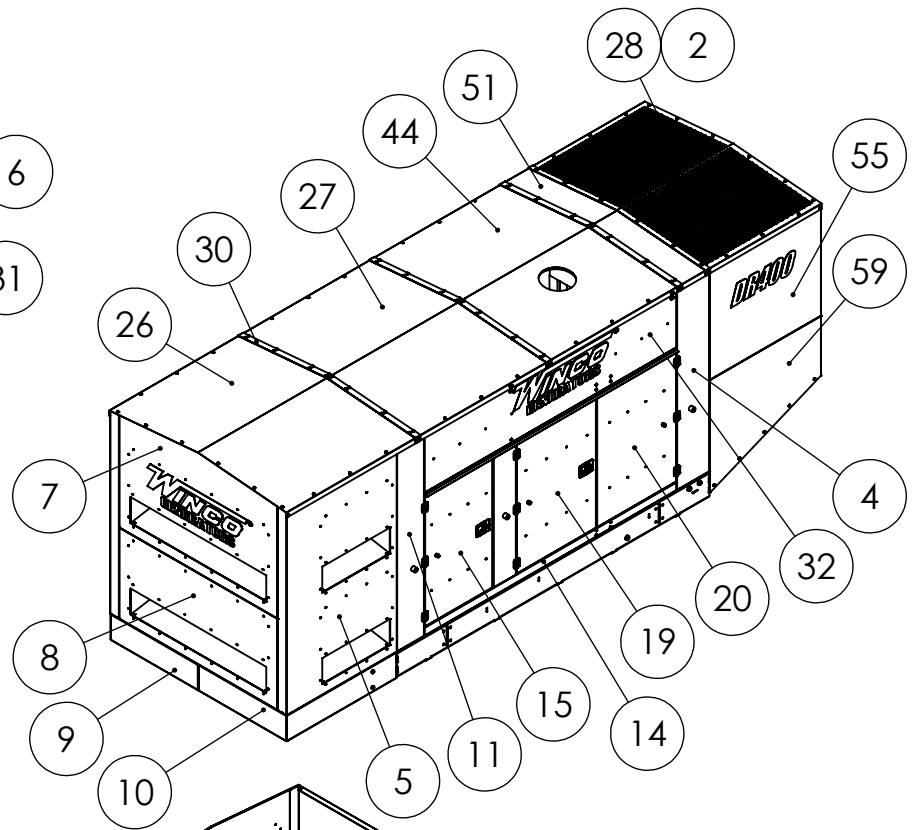
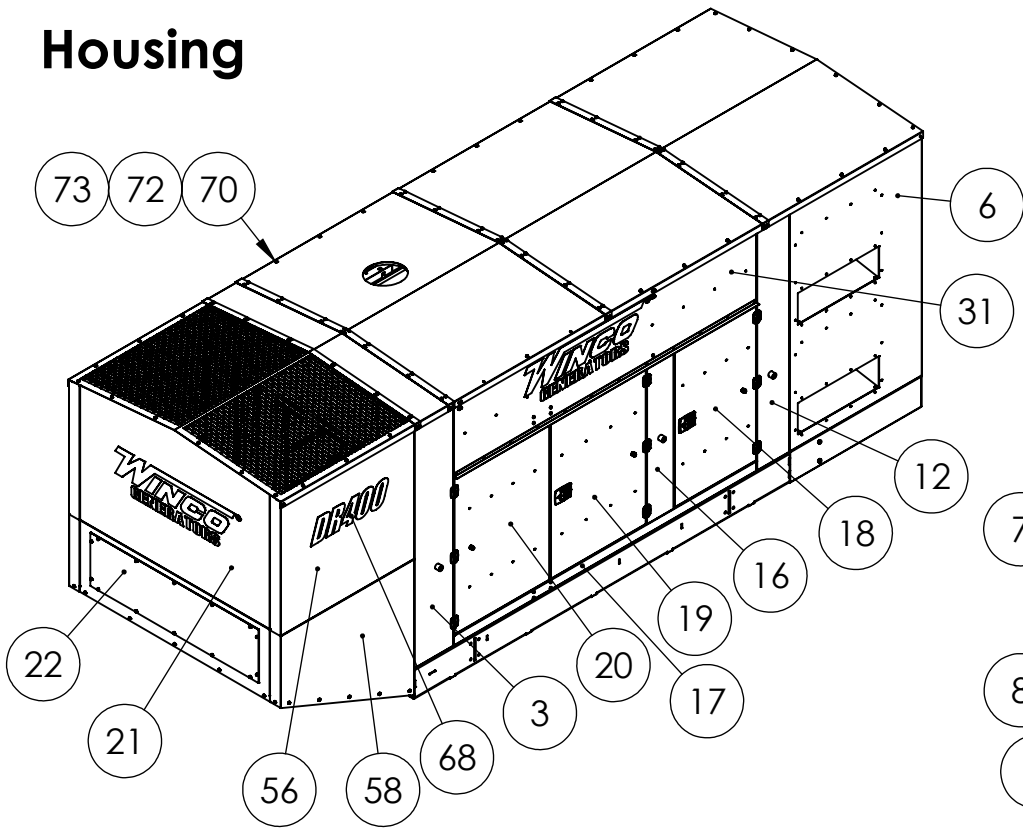


# Battery Tray Kit



ITEM NO.	PART NUMBER	DESCRIPTION	QTY.
1	1000-0279	BATTERY TRAY	1
2	1000-0281	BATTERY HOLD DOWN KIT	1
3	1116-000	HHCS .3125-18X1	4
4	16248-001	.5-13 FLANGE NUT	2
5	16249-000	.3125-18 FLANGE	8
6	480-000	5/16 SPLIT LOCKWASHER	4
7	526-000	5/16 FLAT WASHER	5
8	57580-000	.5-13X1.5 HHB	2
9	636-000	LOCKWASHER 1/2 SPLIT	2
10	63941-003	DECAL-WARNING NO SPARK	1
11	81584-001	LEAD WIRE ASSEMBLY	1
12	81584-000	LEAD WIRE ASSEMBLY	1
13	94282-035	M10-1.5X35MM	1
14	94304-001	THREAD STUD .3125-18X1	4
15	96002-025	M8-1.25X25MM	1
16	96580-001	BAT. CABLE ASSY 2/0 12"	1
17	96580-002	BATTERY CABLE 2/0 36"	1
18	96580-005	BATTERY CABLE 2/0 36"	1
19	97436-008	LOCKWASHER M8	1
20	97436-010	M10 LOCKWASHER	1

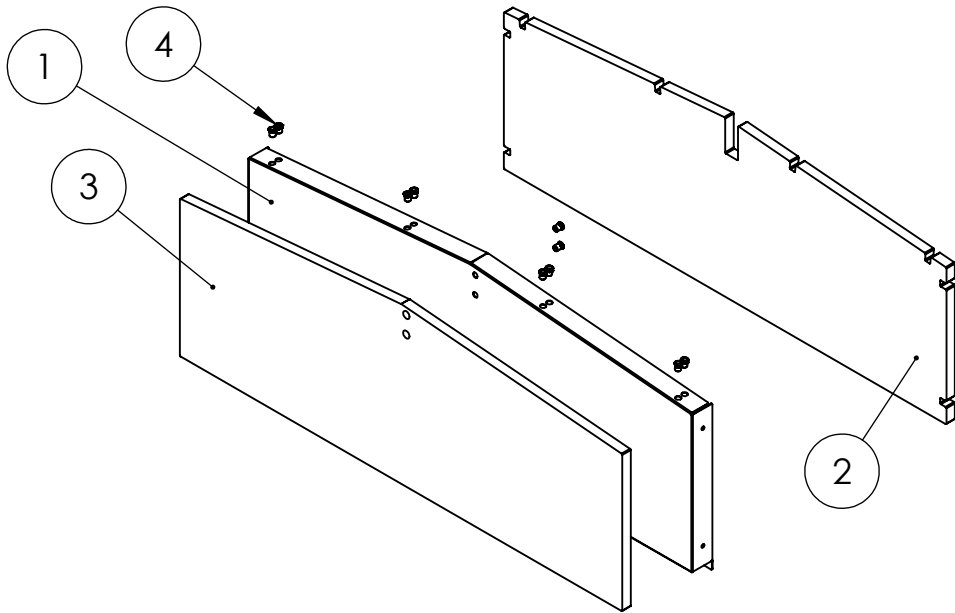
# Housing



# Housing continued

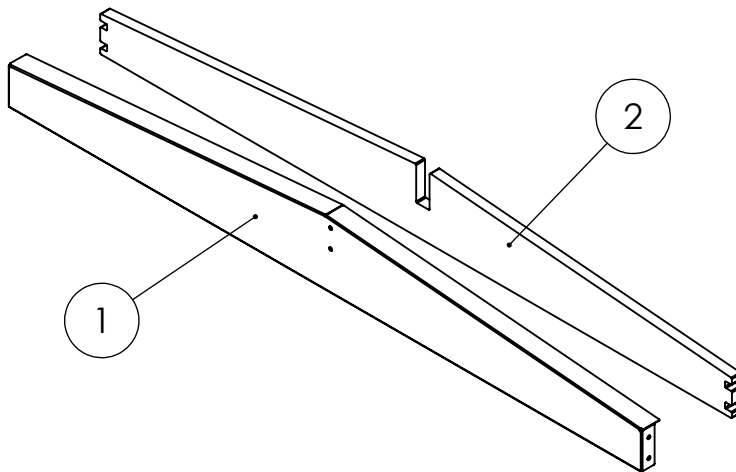
ITEM NO.	PART NUMBER	DESCRIPTION	QTY.
1	1000-0037	CENTER ROOF RAIL	1
2	1000-0039	FRONT RADIATOR OVERHEAD PANEL ASSEMBLY	1
3	1000-0041	LEFT FRONT CORNER PANEL ASSEMBLY	1
4	1000-0042	RIGHT FRONT CORNER PANEL ASSEMBLY	1
5	1000-0051	RIGHT REAR SIDE PANEL ASSEMBLY	1
6	1000-0054	LEFT REAR SIDE PANEL ASSEMBLY	1
7	1000-0059	TOP REAR PANEL ASSEMBLY	1
8	1000-0061	BOTTOM REAR PANEL ASSEMBLY	1
9	1000-0062	LEFT REAR HOUSING L-FRAME	1
10	1000-0063	RIGHT REAR HOUSING L-FRAME	1
11	1000-0064	RIGHT REAR CORNER PANEL	1
12	1000-0065	LEFT REAR CORNER PANEL	1
13	1000-0066	REAR HOUSING RAFTER	1
14	1000-0073	BOTTOM SILL, RIGHT SIDE	1
15	1000-0074	LEFT HAND CIRCUIT BREAKER DOOR	1
16	1000-0075	DOOR MULLION	2
17	1000-0081	BOTTOM SILL, LEFT SIDE	1
18	1000-0082	RIGHT HAND CIRCUIT BREAKER DOOR	1
19	1000-0084	RIGHT HAND DOOR, DUTCH	2
20	1000-0085	LEFT HAND DOOR, NO HANDLE, DUTCH	2
21	1000-0088	TOP FRONT SNORKEL PANEL	1
22	1000-0089	FRONT BOTTOM SNORKEL PANEL	1
23	1000-0091	REAR CENTER ROOF RAIL	1
24	1000-0092	SILENCER RAFTER	2
25	1000-0093	SILENCER STRINGER	2
26	1000-0094	REAR ROOF PANEL ASSEMBLY	1
27	1000-0095	CENTER ROOF PANEL ASSEMBLY	1
28	1000-0098	FRONT ROOF PANEL	1
29	1000-0099	FRONT ROOF STRAP	1
30	1000-0100	ROOF STRAP	3
31	1000-0254	LEFT SIDE SILL PANEL	1
32	1000-0259	RIGHT SIDE SILL PANEL	1
33	1000-0270	SIDE SILL STRUT	2
34	1000-0282	FRONT RIGHT FRAME RAIL FOAM	1
35	1000-0283	RIGHT FRAME RAIL FOAM	1
36	1000-0284	RIGHT FRAME RAIL FOAM	1
37	1000-0285	REAR RIGHT FRAME RAIL FOAM	1
38	1000-0286	REAR LEFT FRAME RAIL FOAM	1
39	1000-0287	LEFT FRAME RAIL FOAM	1
40	1000-0288	LEFT FRAME RAIL FOAM	1
41	1000-0289	FRONT LEFT FRAME RAIL FOAM	1
42	1000-0447	ROOF STRAP GASKET	3
43	1000-0448	FRONT ROOF STRAP GASKET	1
44	1000-0485	SILENCER ROOF PANEL	1
45	1000-0501	DR400 RAD. EXTENSION ASSEMBLY	1
46	1116-000	HHCS .3125-18X1	56
47	1516-000	.5-13X1.25 HHB	10
48	16249-000	.3125-18 FLANGE	144
49	16250-000	.375-16 FLANGE NUT	12
50	16446-000	M8-1.25 NYLOCK	33
51	2000-0189	RADIATOR ROOF PANEL	1
52	2000-0319	DR400-600 REAR HOUSING STIFFENER	2
53	2000-0320	LIFT AND TURN MOUNTING BRACKET LOWER	2
54	2000-0323	LIFT AND TURN MOUNTING BRACKET UPPER	2
55	2000-0349	UPPER RIGHT SIDE SNORKEL ASSEMBLY	1
56	2000-0350	UPPER LEFT SIDE SNORKEL ASSEMBLY	1
57	2000-0351	LOWER LEFT SNORKEL ASSEMBLY	1
58	2000-0356	LOWER LEFT SIDE SNORKEL ASSEMBLY	1
59	2000-0357	LOWER RIGHT FRONT SIDE ASSEMBLY	1
60	2000-0358	LOWER RIGHT SNORKEL ASSEMBLY	1
61	20604-000	3/8 WASHER	12
62	21867-001	FLAT WASHER .51 X .88 X .05	14
63	465-000	.3125-18x.875 HHB	38
64	467-000	HHCS 5/16-18X.75	76
65	480-000	LOCK .3125 SPLIT	58
66	526-000	5/16 FLAT WASHER	159
67	580-000	5/16-18X1.25	3
68	64214-057	DECAL - DR400, BLACK	2
69	65001-001	SS HHCS 5/16-18 X .75	16
70	65001-002	.3125-18X1 HHB SS	157
71	65002-004	HHCS 0.5-13-1.25	4
72	65003-001	LOCKWASHER 5/16 SPLIT SS	157
73	65005-001	5/16 WASHER SS	187
74	91658-001	HHCS 3/8-16X1	12
75	92242-000	NUT HEX .500-13 NYLOCK	14
76	95229-013	LIFT AND TURN LATCH	4

# Front Rad. Overhead Panel Assembly



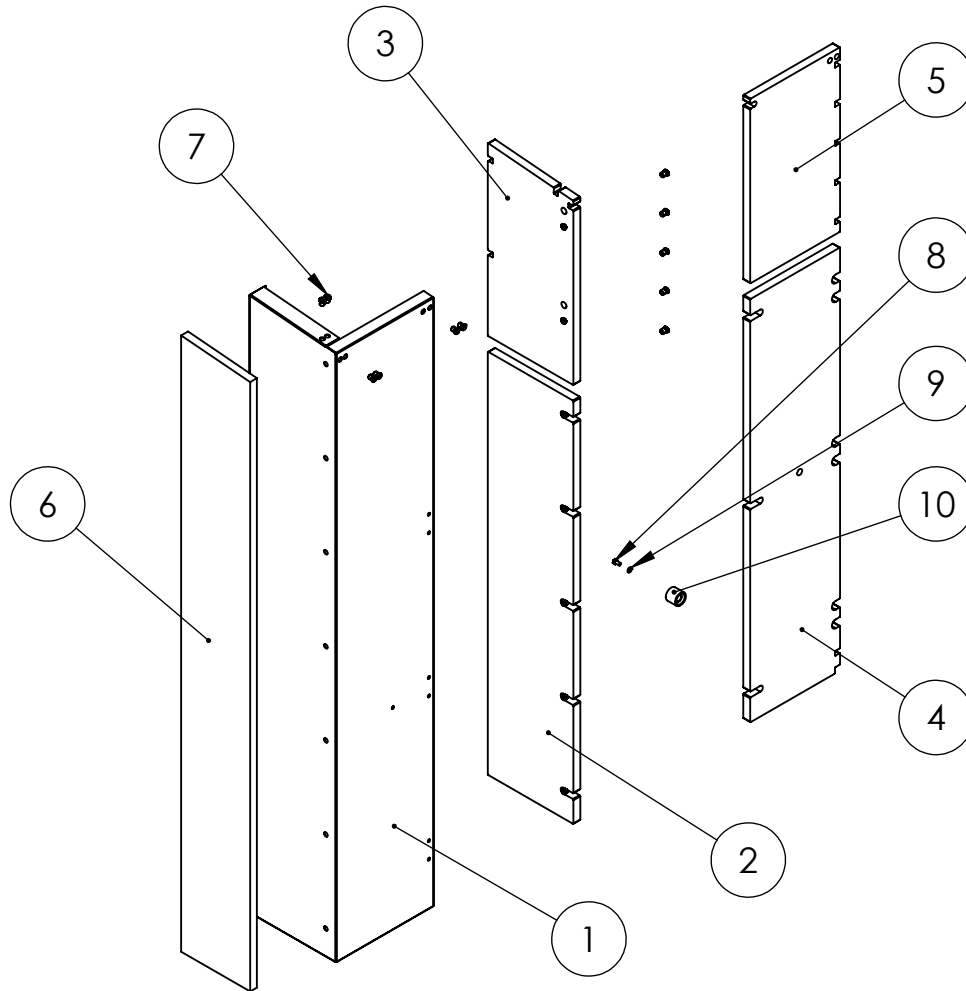
ITEM NO.	PART NUMBER	DESCRIPTION	QTY.
1	1000-0039	FRONT RADIATOR OVERHEAD PANEL	1
2	1000-0165	FRONT RAFTER PANEL FOAM	1
3	1000-0292	OVERHEAD PANEL SNORKEL SIDE FOAM	1
4	352126-1	RIVET NUT 5/16-18 .027-.150	10

# Rear Housing Rafter



ITEM NO.	PART NUMBER	DESCRIPTION	QTY.
1	1000-0066	REAR HOUSING RAFTER	1
2	1000-0176	REAR HOUSING RAFTER FOAM	1

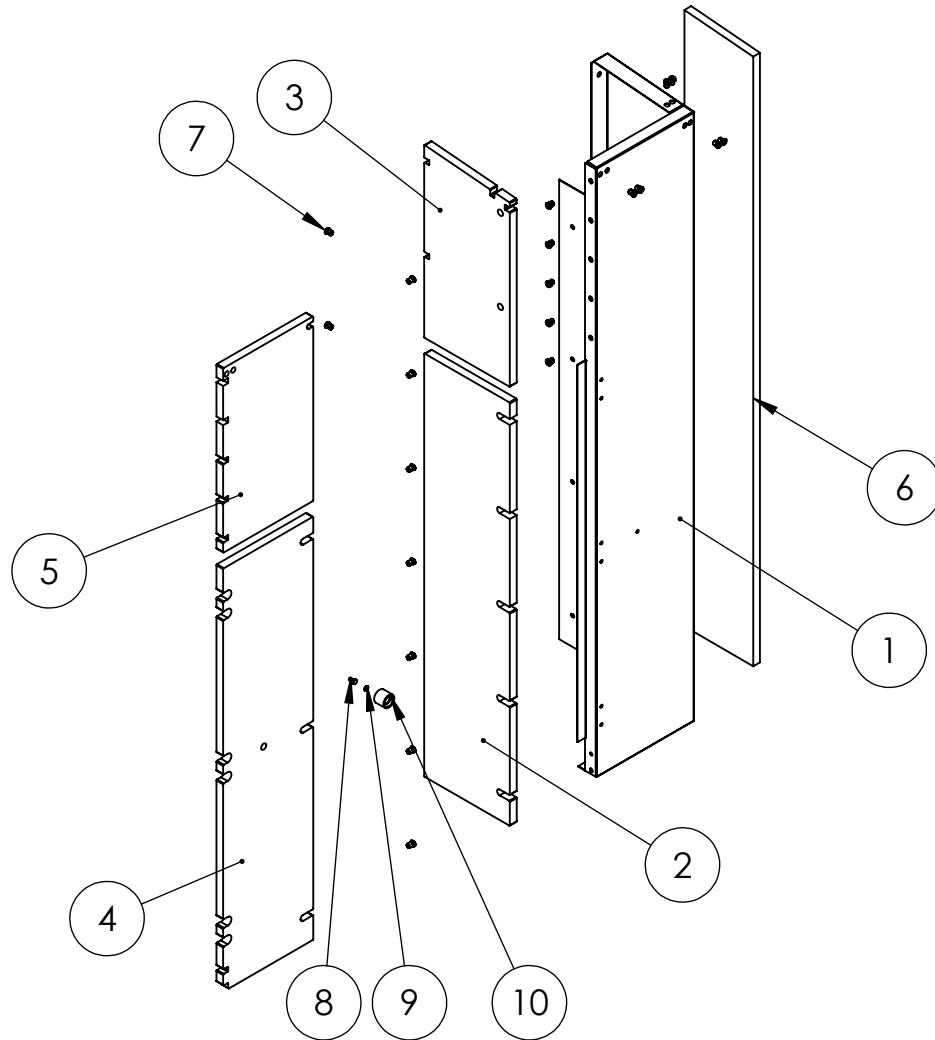
# Left Front Corner Panel Assembly



ITEM NO.	PART NUMBER	DESCRIPTION	QTY.
1	1000-0041	LEFT FRONT CORNER PANEL	1
2	1000-0161	FRONT LEFT CORNER PANEL, BOTTOM FOAM	1
3	1000-0162	FRONT LEFT CORNER PANEL, TOP FOAM	1
4	1000-0163	FRONT LEFT CORNER PANEL, BOTTOM FOAM	1
5	1000-0164	FRONT LEFT CORNER PANEL, TOP FOAM	1
6	1000-0291	FRONT LEFT CORNER SNORKEL SIDE FOAM	1
7	352126-1	RIVET NUT 5/16-18 .027-.150	20
8	57493-016	M8-1.25X16MM ZINC	1
9	93341-008	LOCKWASHER M8	1
10	95232-000	DOOR HOLDER FEMALE	1

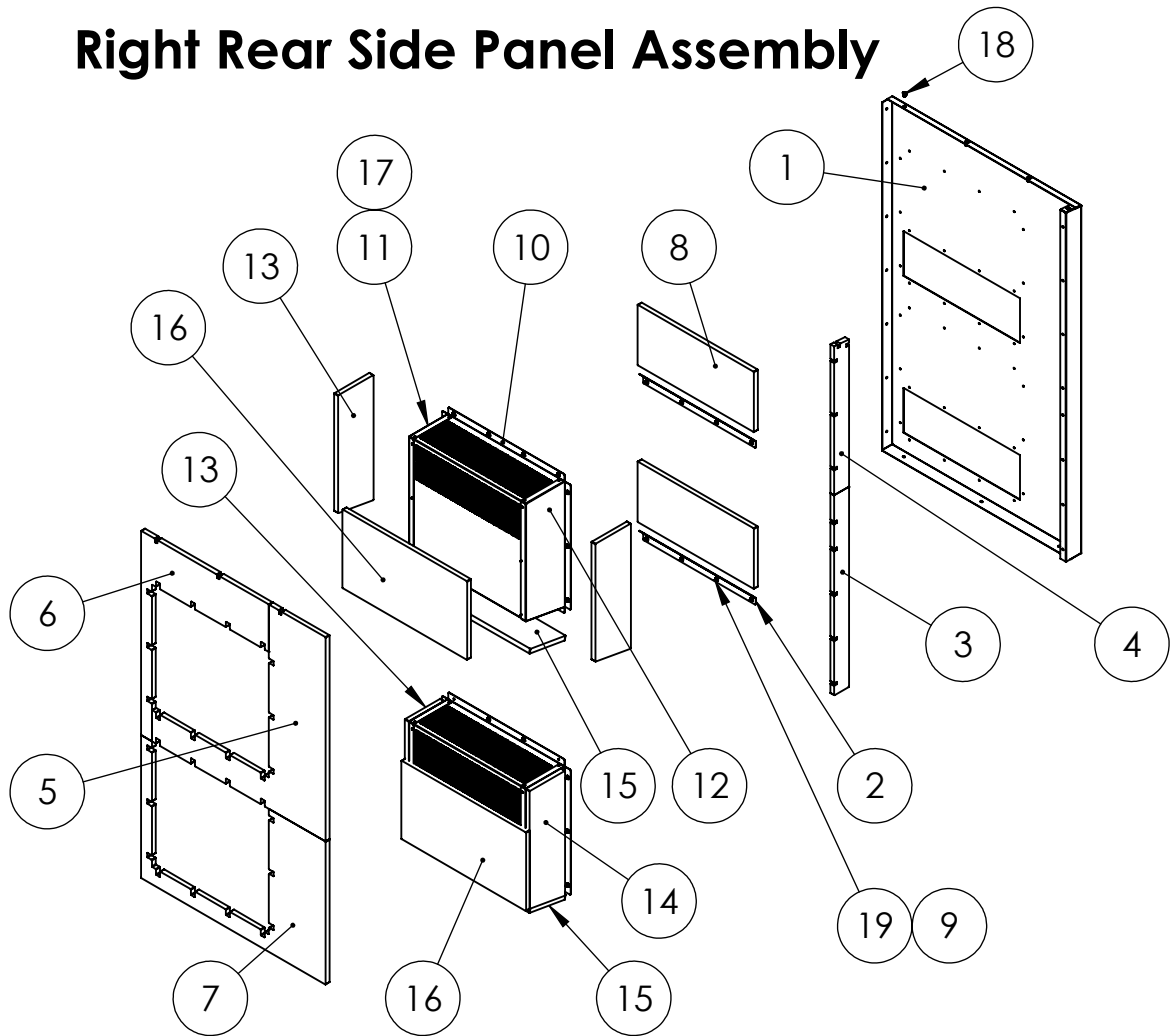


# Right Front Corner Panel Assembly



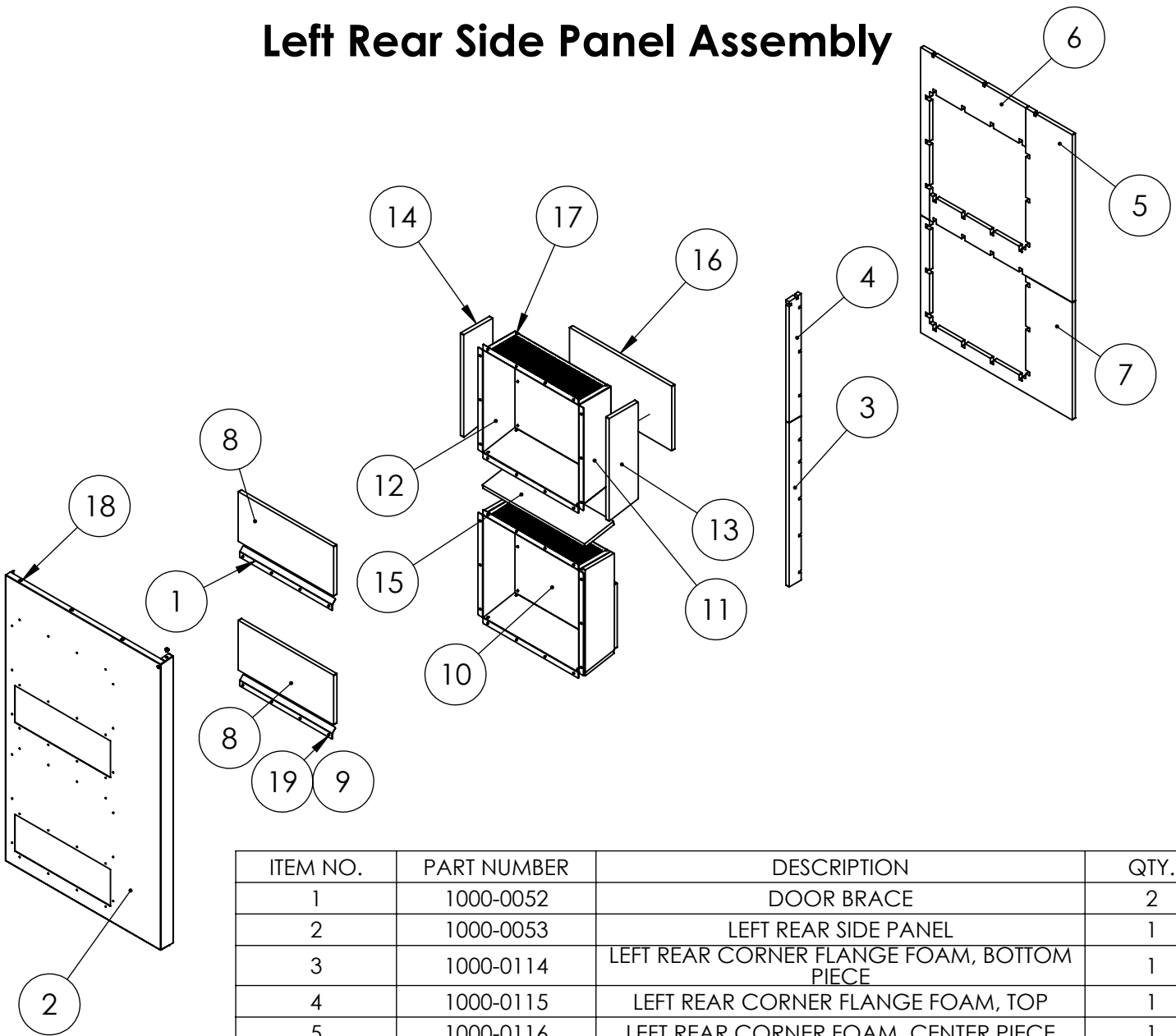
ITEM NO.	PART NUMBER	DESCRIPTION	QTY.
1	1000-0042	RIGHT FRONT CORNER PANEL	1
2	1000-0157	FRONT RIGHT CORNER PANEL, BOTTOM FOAM	1
3	1000-0158	FRONT RIGHT CORNER PANEL, TOP FOAM	1
4	1000-0159	FRONT RIGHT CORNER PANEL, BOTTOM FOAM	1
5	1000-0160	FRONT RIGHT CORNER PANEL, TOP FOAM	1
6	1000-0290	FRONT RIGHT CORNER SNORKEL SIDE FOAM	1
7	352126-1	RIVET NUT 5/16-18 .027-.150	20
8	57493-016	M8-1.25X16MM ZINC	1
9	93341-008	LOCKWASHER M8	1
10	95232-000	DOOR HOLDER FEMALE	1

# Right Rear Side Panel Assembly



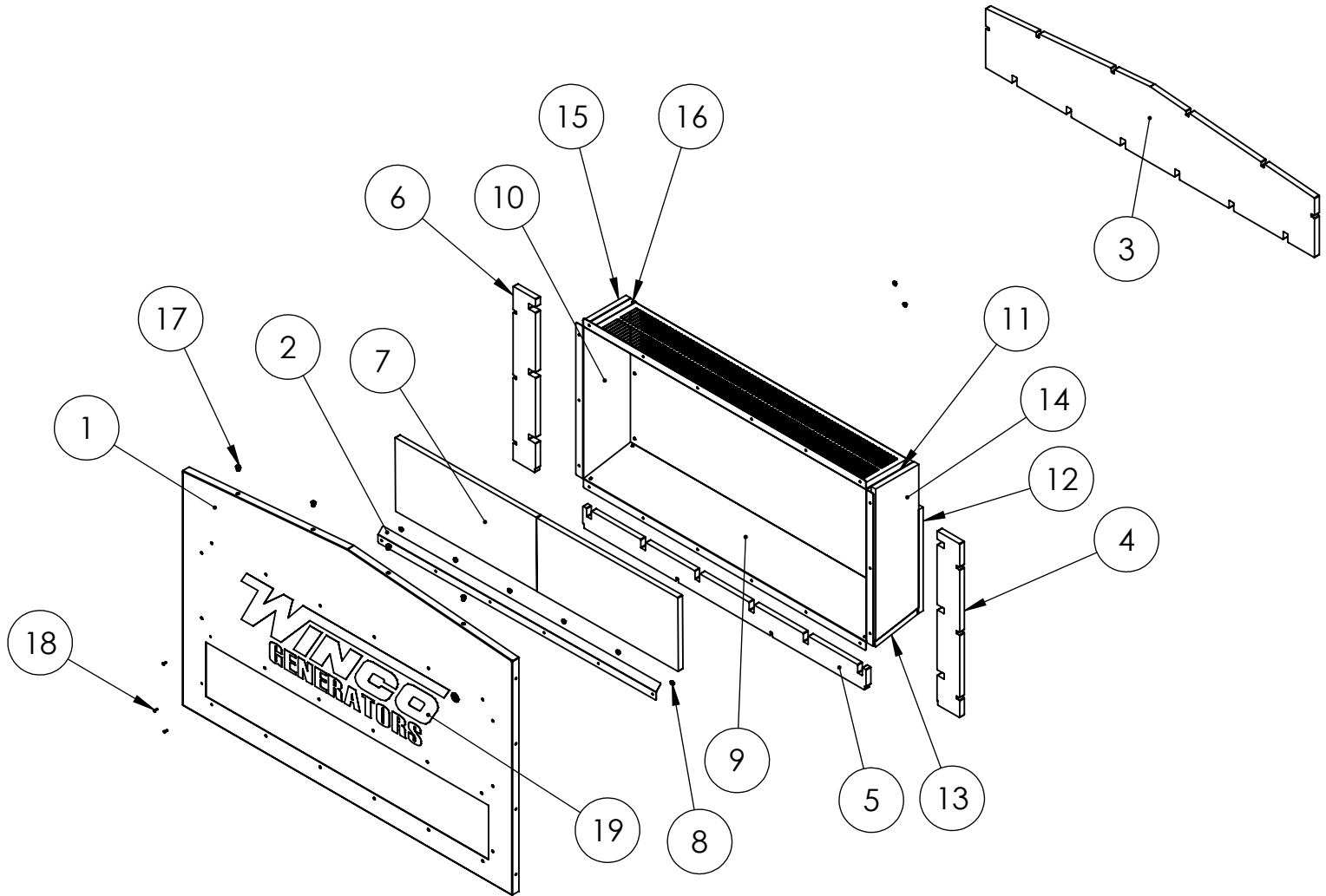
ITEM NO.	PART NUMBER	DESCRIPTION	QTY.
1	1000-0050	RIGHT REAR SIDE PANEL	1
2	1000-0052	DOOR BRACE	2
3	1000-0109	RIGHT REAR CORNER FLANGE FOAM, BOTTOM	1
4	1000-0110	RIGHT REAR CORNER FLANGE FOAM, TOP	1
5	1000-0111	RIGHT REAR CORNER FOAM, CENTER PIECE	1
6	1000-0112	RIGHT REAR CORNER FOAM, TOP PIECE	1
7	1000-0113	RIGHT REAR CORNER FOAM, BOTTOM PIECE	1
8	1000-0293	REAR SIDE BAFFLE INTERNAL FOAM	2
9	16248-000	.25-20 FLANGE NUT	36
10	2000-0325	REARSIDE BAFFLE PT1	2
11	2000-0326	REAR BAFFLE PT2	2
12	2000-0327	REAR BAFFLE PT3	2
13	2000-0328	BAFFLE FOAM LEFT SIDE	2
14	2000-0329	BAFFLE FOAM RIGHT SIDE	2
15	2000-0330	BAFFLE FOAM BOTTOM	2
16	2000-0331	BAFFLE FOAM CENTER	2
17	21698-001	TORX PAN HEAD SCREW #10	28
18	352126-1	RIVET NUT 5/16-18 .027-.150	5
19	94980-001	THREAD STUD .25-20X.625	36

# Left Rear Side Panel Assembly



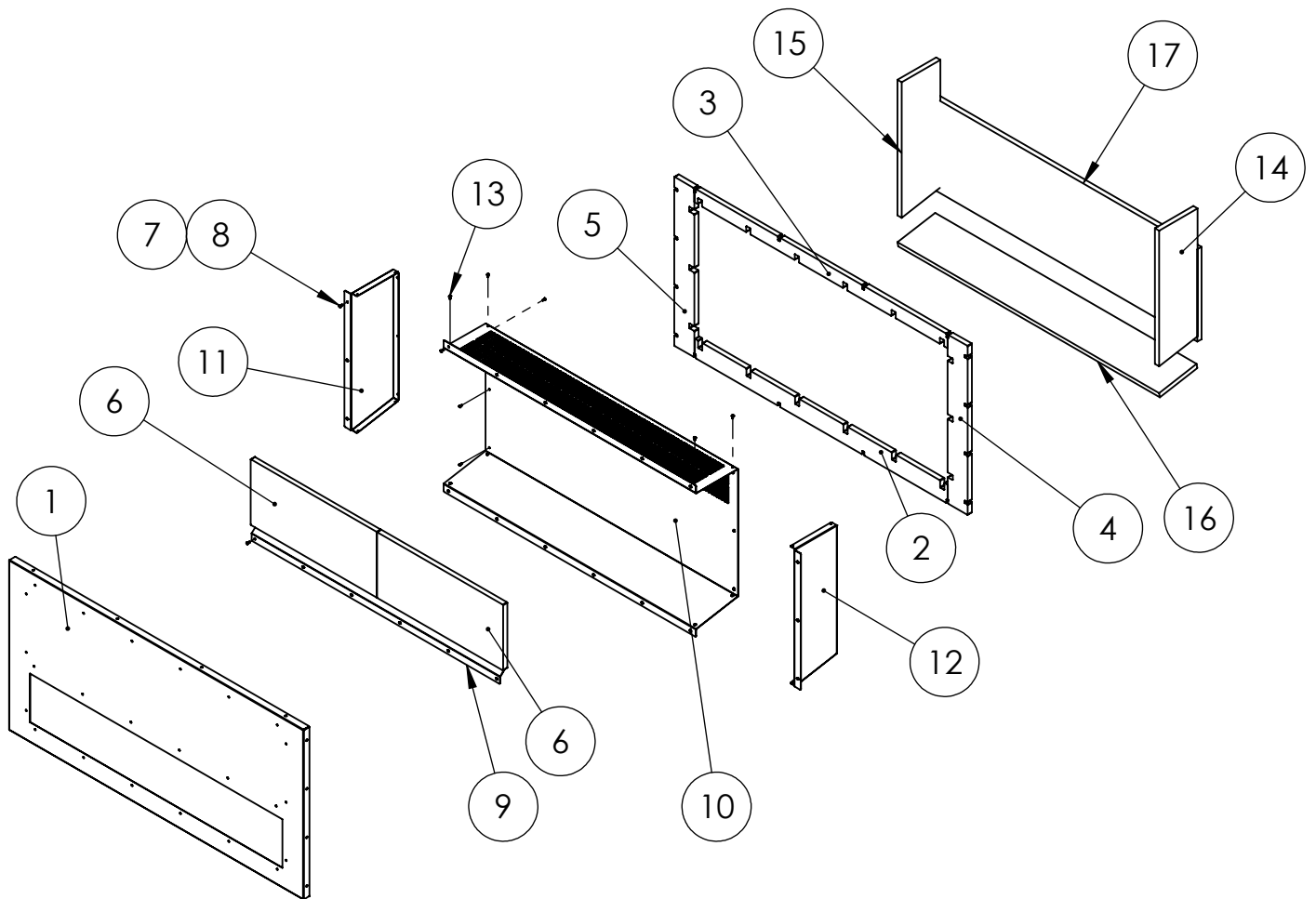
ITEM NO.	PART NUMBER	DESCRIPTION	QTY.
1	1000-0052	DOOR BRACE	2
2	1000-0053	LEFT REAR SIDE PANEL	1
3	1000-0114	LEFT REAR CORNER FLANGE FOAM, BOTTOM PIECE	1
4	1000-0115	LEFT REAR CORNER FLANGE FOAM, TOP	1
5	1000-0116	LEFT REAR CORNER FOAM, CENTER PIECE	1
6	1000-0117	LEFT REAR CORNER FOAM, TOP PIECE	1
7	1000-0118	LEFT REAR CORNER FOAM, BOTTOM PIECE	1
8	1000-0293	REAR SIDE BAFFLE INTERNAL FOAM	2
9	16248-000	.25-20 FLANGE NUT	36
10	2000-0325	REARSIDE BAFFLE PT1	2
11	2000-0326	REAR BAFFLE PT2	2
12	2000-0327	REAR BAFFLE PT3	2
13	2000-0328	BAFFLE FOAM LEFT SIDE	2
14	2000-0329	BAFFLE FOAM RIGHT SIDE	2
15	2000-0330	BAFFLE FOAM BOTTOM	2
16	2000-0331	BAFFLE FOAM CENTER	2
17	21698-001	TORX PAN HEAD SCREW #10	28
18	352126-1	RIVET NUT 5/16-18 .027-.150	5
19	94980-001	THREAD STUD .25-20X.625	36

# Top Rear Panel Assembly



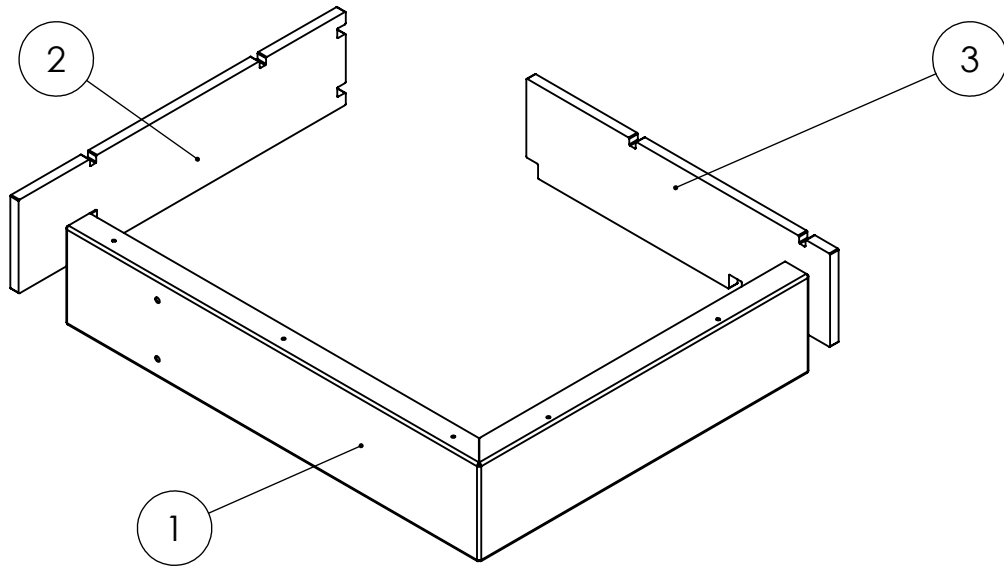
ITEM NO.	PART NUMBER	DESCRIPTION	QTY.
1	1000-0055	TOP REAR PANEL	1
2	1000-0056	DOOR BRACE	1
3	1000-0102	TOP FOAM, TOP REAR PANEL	1
4	1000-0103	RIGHT SIDE FOAM, TOP REAR PANEL	1
5	1000-0104	BOTTOM FOAM, REAR PANELS	1
6	1000-0106	LEFT SIDE FOAM, TOP REAR PANEL	1
7	1000-0293	REAR SIDE BAFFLE INTERNAL FOAM	2
8	16248-000	.25-20 FLANGE NUT	24
9	2000-0332	WIDE BAFFLE CENTER	1
10	2000-0333	WIDE BAFFLE R SIDE	1
11	2000-0334	WIDE BAFFLE L SIDE	1
12	2000-0336	BAFFLE FOAM CENTER	1
13	2000-0337	BAFFLE FOAM BOTTOM	1
14	2000-0338	BAFFLE FOAM LEFT SIDE	1
15	2000-0339	BAFFLE FOAM RIGHT SIDE	1
16	21698-001	TORX PAN HEAD SCREW #10	14
17	352126-1	RIVET NUT 5/16-18 .027-.150	4
18	94980-001	THREAD STUD .25-20X.625	24
19	98313-003	WINCO LOGO	1

# Bottom Rear Panel Assembly



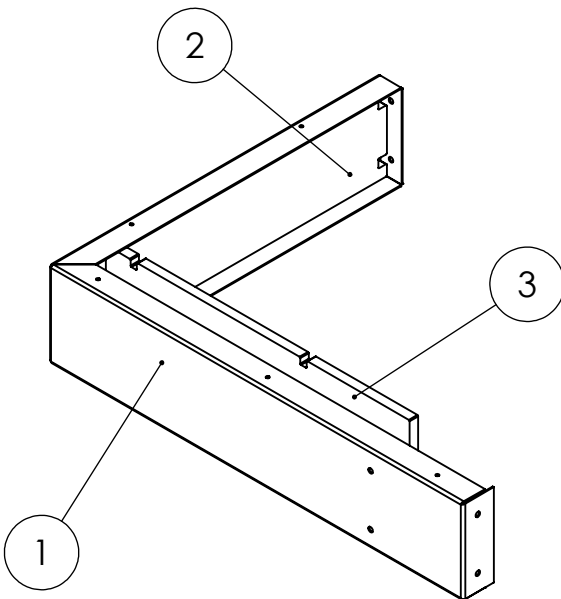
ITEM NO.	PART NUMBER	DESCRIPTION	QTY.
1	1000-0060	BOTTOM REAR PANEL	1
2	1000-0104	BOTTOM FOAM, REAR PANELS	1
3	1000-0105	TOP FOAM, BOTTOM REAR PANEL	1
4	1000-0107	RIGHT SIDE FOAM, BOTTOM REAR PANEL	1
5	1000-0108	LEFT SIDE FOAM, BOTTOM REAR PANEL	1
6	1000-0293	REAR SIDE BAFFLE INTERNAL FOAM	2
7	16248-000	.25-20 FLANGE NUT	24
8	94980-001	THREAD STUD .25-20X.625	24
9	1000-0056	DOOR BRACE	1
10	2000-0332	WIDE BAFFLE CENTER	1
11	2000-0333	WIDE BAFFLE R SIDE	1
12	2000-0334	WIDE BAFFLE L SIDE	1
13	21698-001	TORX PAN HEAD SCREW #10	14
14	2000-0338	BAFFLE FOAM LEFT SIDE	1
15	2000-0339	BAFFLE FOAM RIGHT SIDE	1
16	2000-0337	BAFFLE FOAM BOTTOM	1
17	2000-0336	BAFFLE FOAM CENTER	1

## Left Rear Housing L- Frame



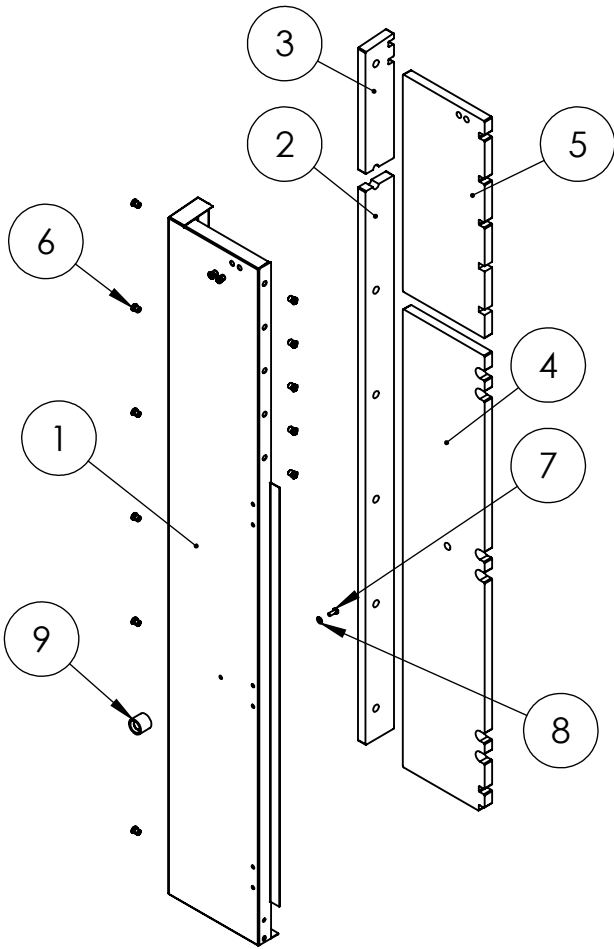
ITEM NO.	PART NUMBER	DESCRIPTION	QTY.
1	1000-0062	LEFT REAR HOUSING L-FRAME	1
2	1000-0273	LEFT REAR L-FRAME, BACK FOAM	1
3	1000-0274	LEFT REAR L-FRAME, SIDE FOAM	1

## Right Rear Housing L- Frame



ITEM NO.	PART NUMBER	DESCRIPTION	QTY.
1	1000-0063	RIGHT REAR HOUSING L-FRAME	1
2	1000-0271	RIGHT REAR L-FRAME, BACK FOAM	1
3	1000-0272	RIGHT REAR L-FRAME, SIDE FOAM	1

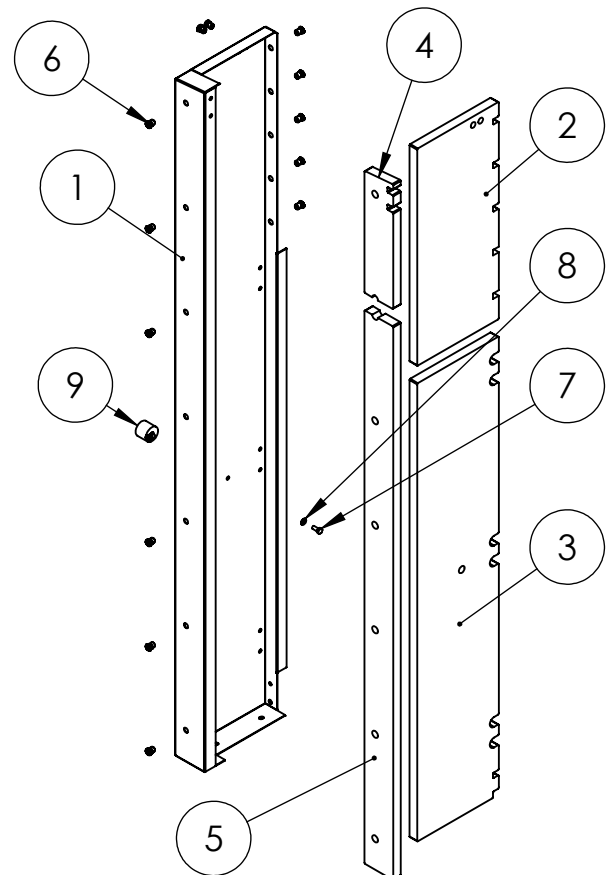
# Right Rear Corner Panel



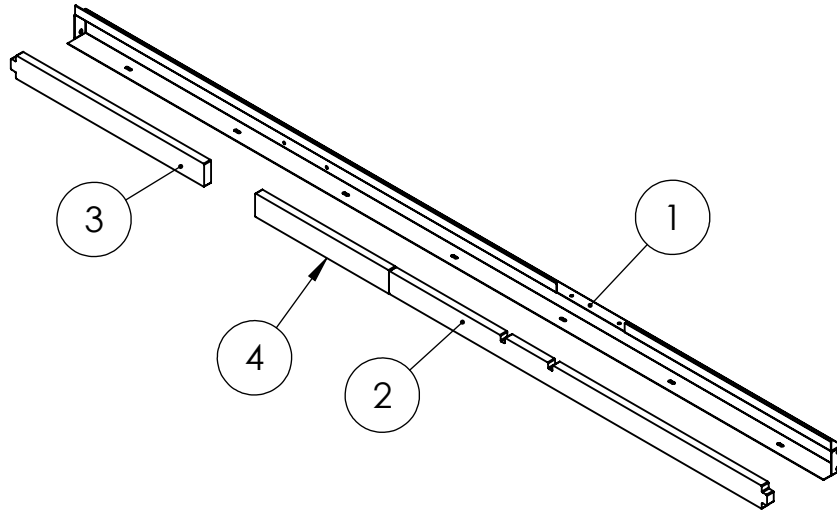
ITEM NO.	PART NUMBER	DESCRIPTION	QTY.
1	1000-0064	RIGHT REAR CORNER PANEL	1
2	1000-0125	RIGHT CORNER FLANGE FOAM, BOTTOM	1
3	1000-0126	RIGHT CORNER FLANGE FOAM, TOP	1
4	1000-0127	RIGHT CORNER FOAM, BOTTOM	1
5	1000-0128	RIGHT CORNER FOAM, TOP	1
6	352126-1	RIVET NUT 5/16-18 .027-.150	14
7	65001-001	SS HHCS 5/16-18 X .75	1
8	65005-001	5/16 WASHER SS	1
9	95232-000	DOOR HOLDER FEMALE	1

# Left Rear Corner Panel

ITEM NO.	PART NUMBER	DESCRIPTION	QTY.
1	1000-0065	LEFT REAR CORNER PANEL	1
2	1000-0129	LEFT CORNER FOAM, TOP	1
3	1000-0130	LEFT CORNER FOAM, BOTTOM	1
4	1000-0131	LEFT CORNER FLANGE FOAM, TOP	1
5	1000-0132	LEFT CORNER FLANGE FOAM, BOTTOM	1
6	352126-1	RIVET NUT 5/16-18 .027-.150	14
7	65001-001	SS HHCS 5/16-18 X .75	1
8	65005-001	5/16 WASHER SS	1
9	95232-000	DOOR HOLDER FEMALE	1

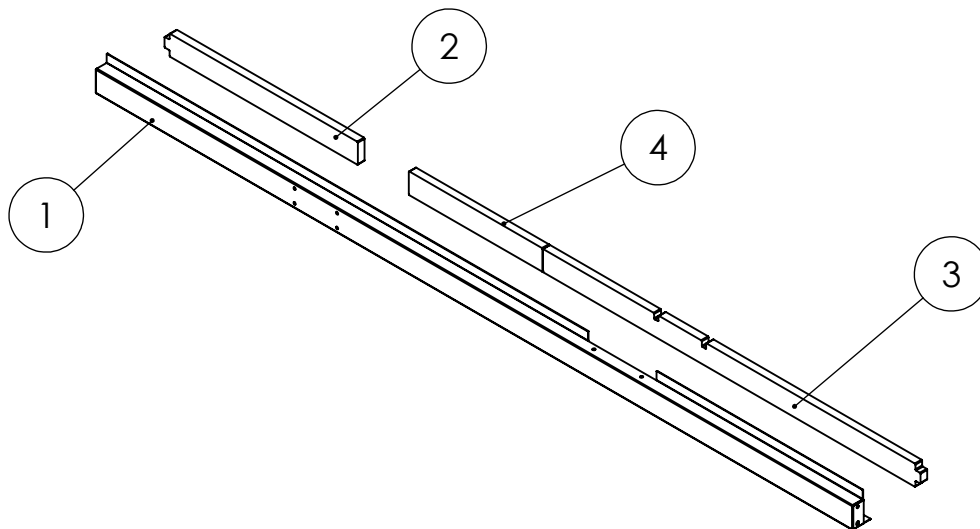


## Bottom Sill Right Side



ITEM NO.	PART NUMBER	DESCRIPTION	QTY.
1	1000-0073	BOTTOM SILL, RIGHT SIDE	1
2	1000-0133	BOTTOM RIGHT SILL FOAM, REAR	1
3	1000-0135	BOTTOM LEFT SILL FOAM, FRONT	1
4	2000-0324	SILL FOAM	1

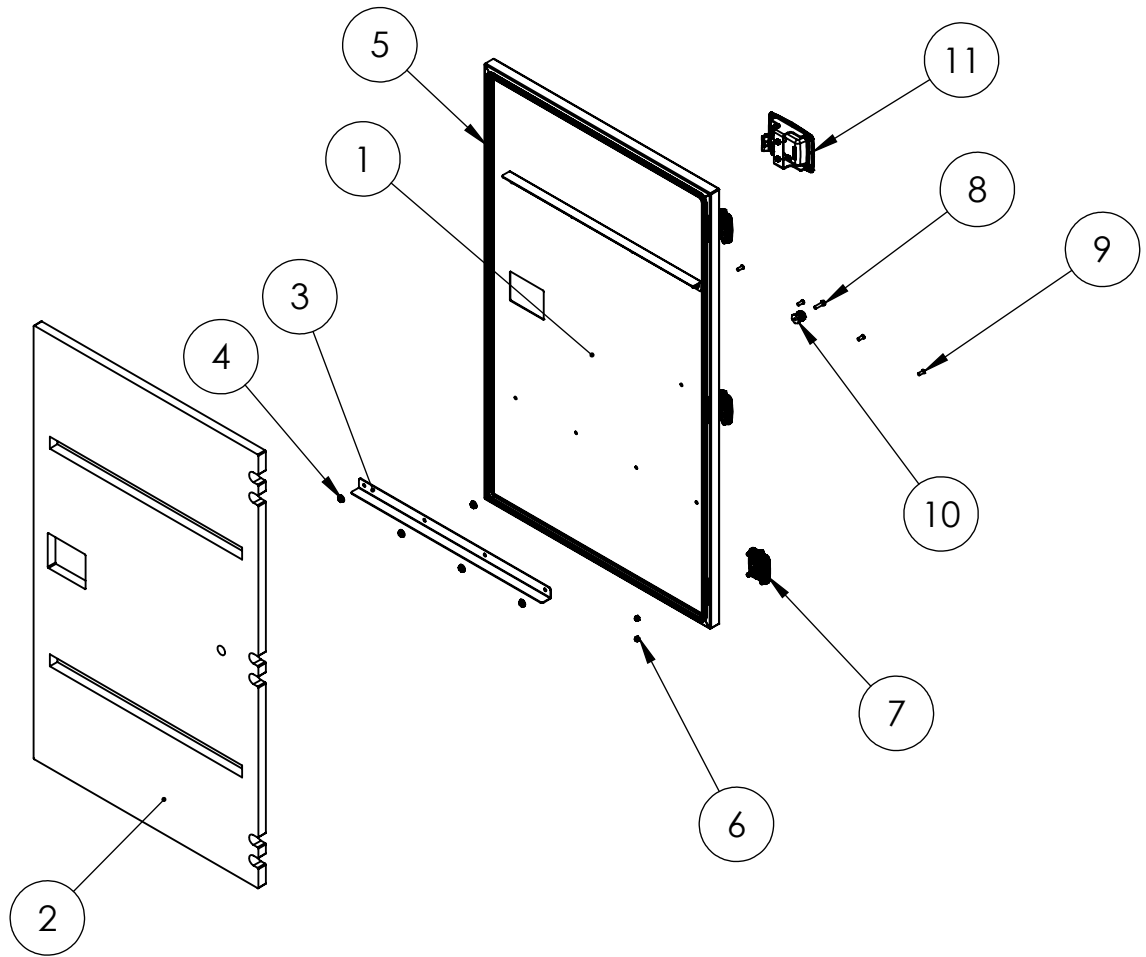
## Bottom Sill Left Side



ITEM NO.	PART NUMBER	DESCRIPTION	QTY.
1	1000-0081	BOTTOM SILL, LEFT SIDE	1
2	1000-0135	BOTTOM LEFT SILL FOAM, FRONT	1
3	1000-0136	BOTTOM LEFT SILL FOAM, REAR	1
4	2000-0324	SILL FOAM	1

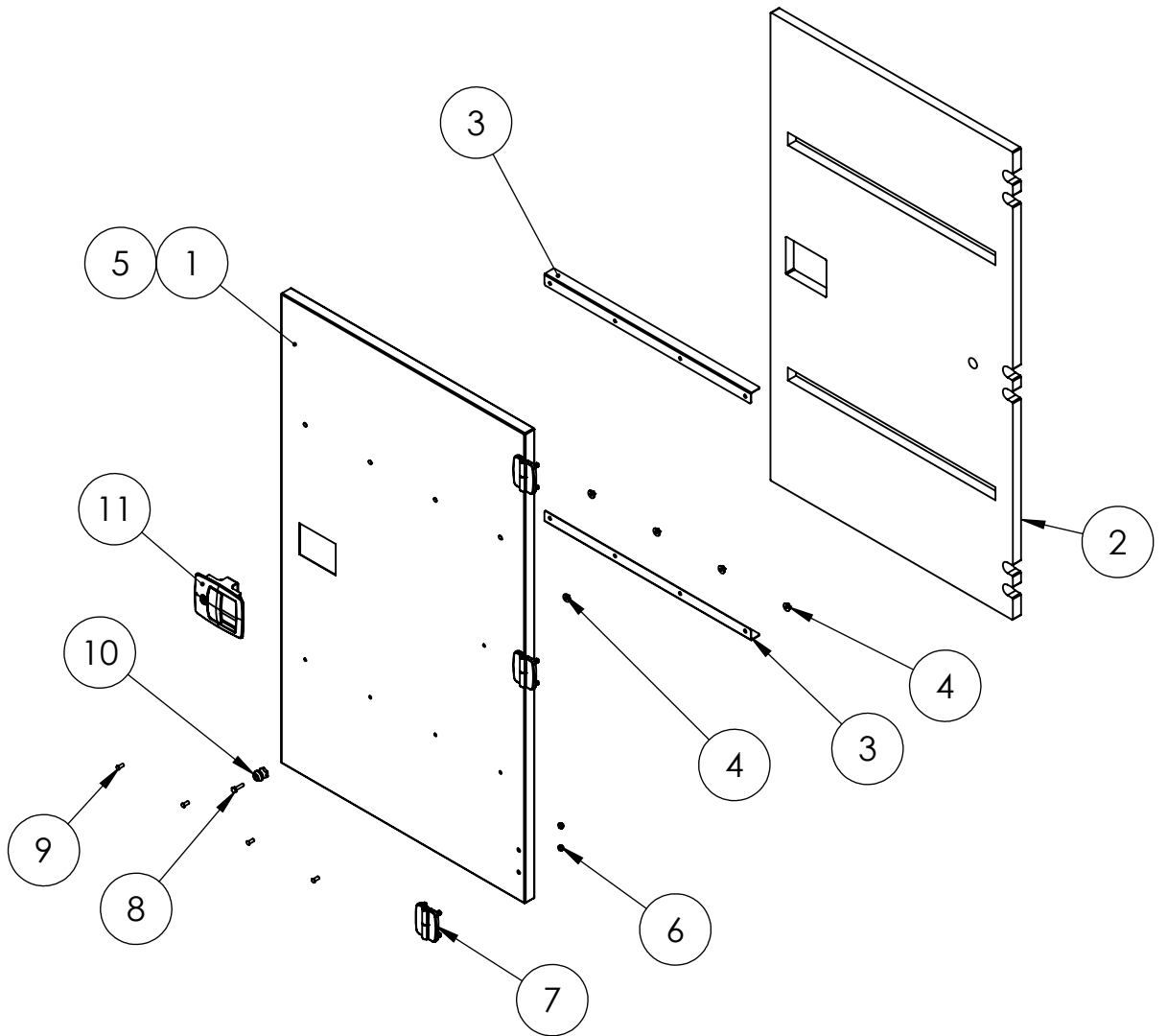


# Left Hand CB Door



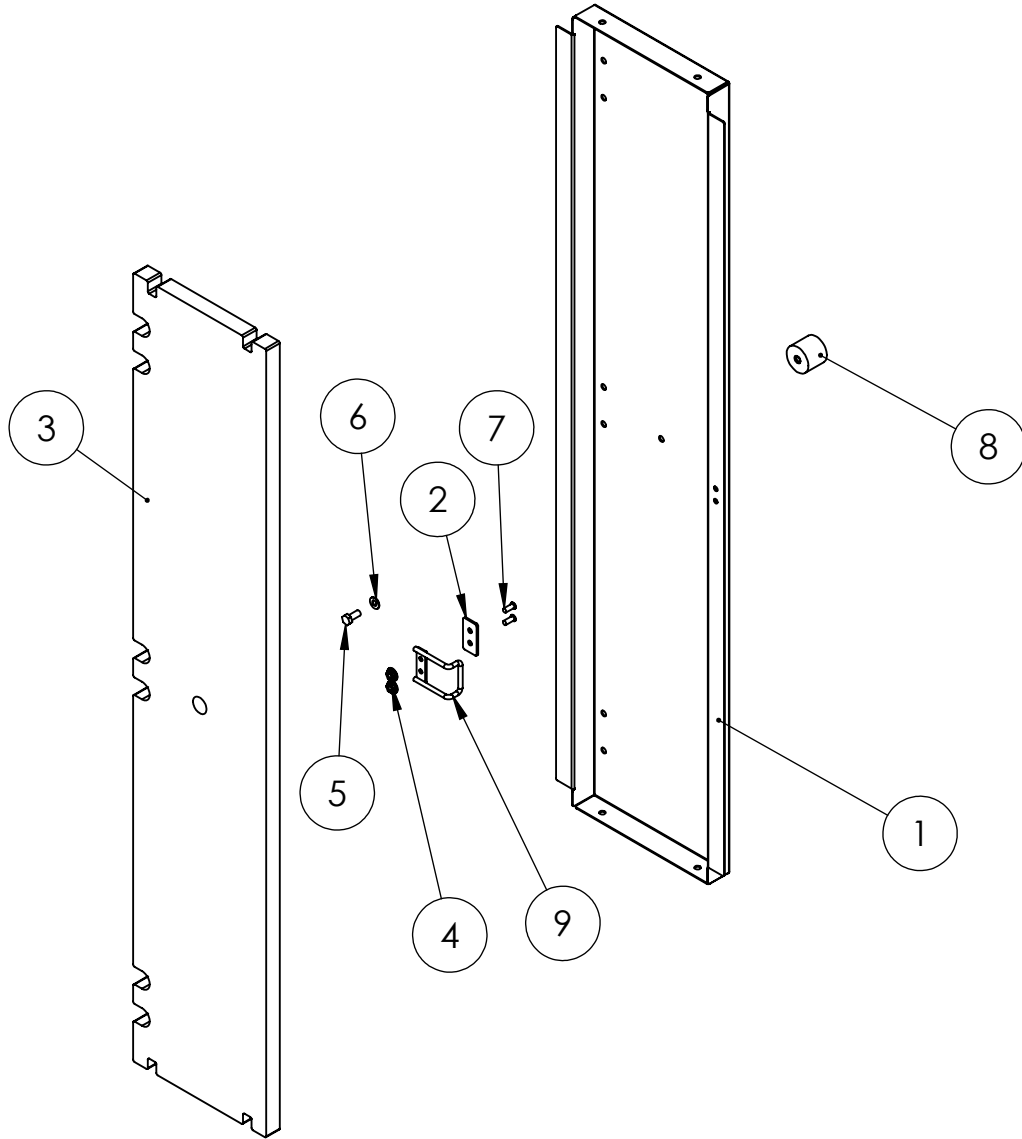
ITEM NO.	PART NUMBER	DESCRIPTION	QTY.
1	1000-0074	CIRCUIT BREAKER DOOR	1
2	1000-0137	CB DOOR FOAM	1
3	1000-0252	CB DOOR STIFFENER	2
4	16248-000	.25-20 FLANGE NUT	9
5	16348-000	BULB SEAL .2 IN .125 - 1.55IN	1
6	16446-000	M8-1.25 NYLOCK	6
7	350054-4	LIFT OFF HINGE LEFT	3
8	65000-002	.25 -20X1 SS HHCS	1
9	94980-001	THREAD STUD .25-20X.625	8
10	95232-001	DOOR HOLDER MALE	1
11	99269-002	DOOR LATCH LOCKABLE	1

# Right Hand CB Door



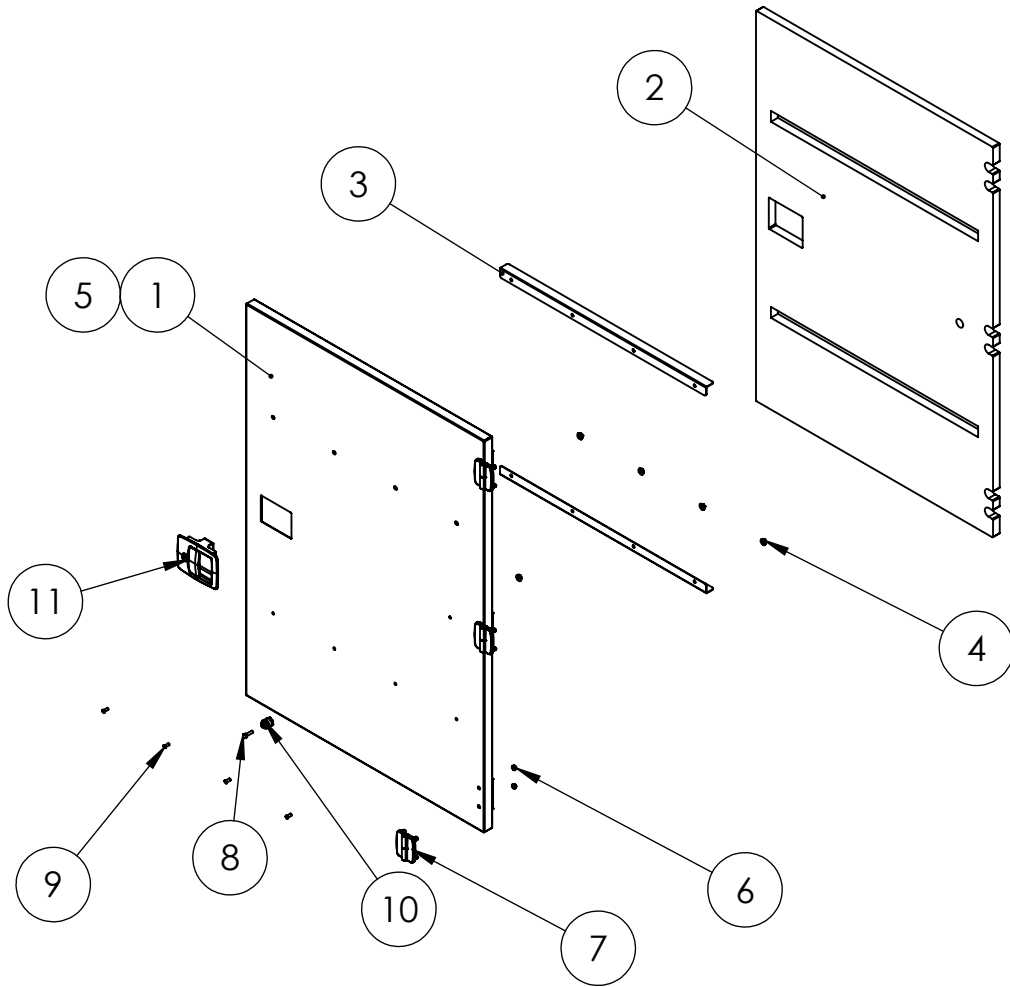
ITEM NO.	PART NUMBER	DESCRIPTION	QTY.
1	1000-0082	RIGHT HAND CIRCUIT BREAKER DOOR	1
2	1000-0137	CB DOOR FOAM	1
3	1000-0252	CB DOOR STIFFENER	2
4	16248-000	.25-20 FLANGE NUT	9
5	16348-000	BULB SEAL .2 IN .125 - 155IN	1
6	16446-000	M8-1.25 NYLOCK	6
7	350054-3	LIFT OFF HINGE RIGHT	3
8	65000-002	.25 -20X1 SS HHCS	1
9	94980-001	THREAD STUD .25-20X.625	8
10	95232-001	DOOR HOLDER MALE	1
11	99269-002	DOOR LATCH LOCKABLE	1

# Door Mullion



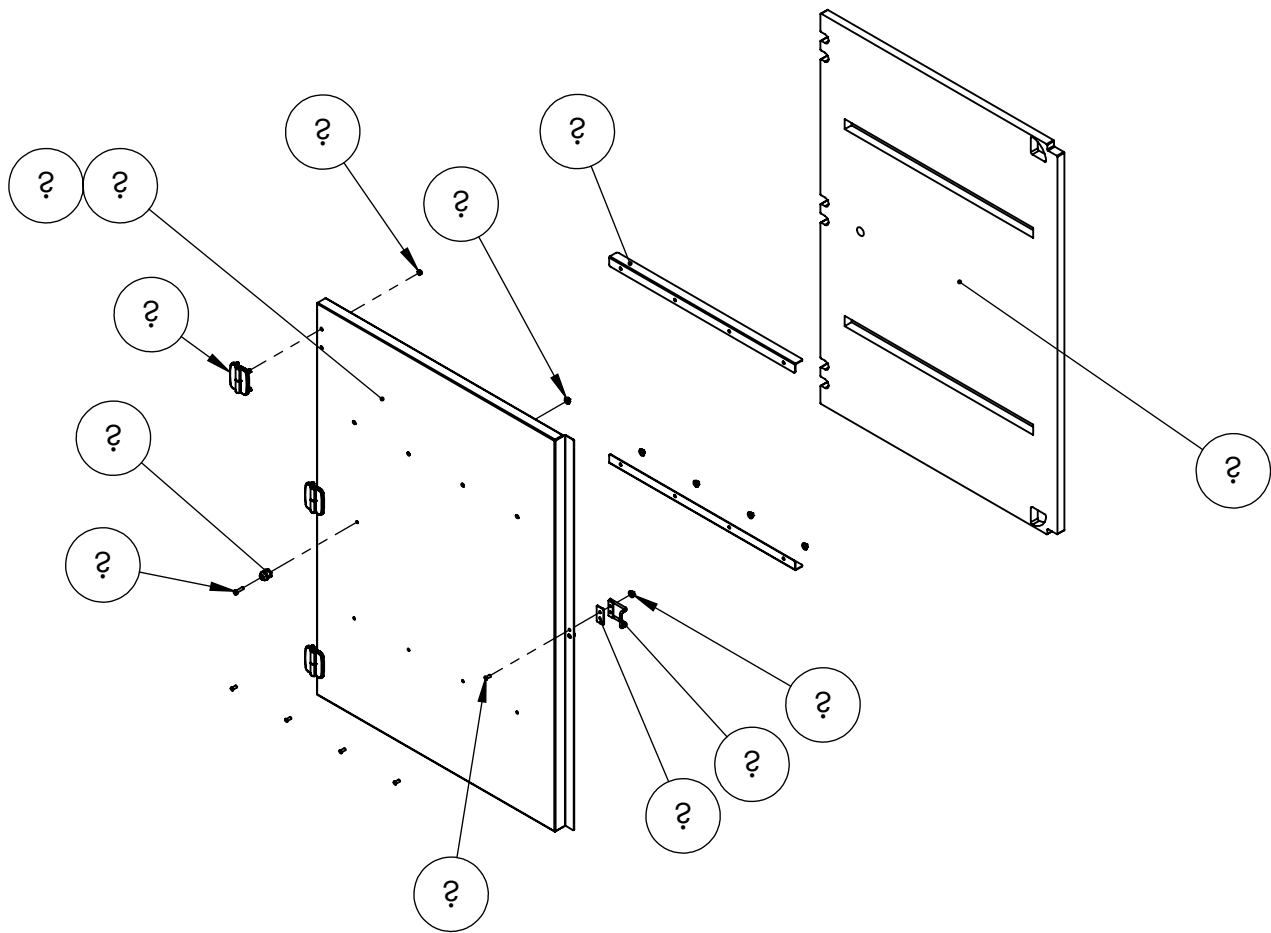
ITEM NO.	PART NUMBER	DESCRIPTION	QTY.
1	1000-0075	RIGHT SIDE DOOR MULLION	1
2	1000-0078	STRIKER BRACKET	1
3	1000-0143	MULLION FOAM	1
4	16248-000	.25-20 FLANGE NUT	2
5	65001-001	SS HHCS 5/16-18 X .75	1
6	65005-001	5/16 WASHER SS	1
7	94980-001	THREAD STUD .25-20X.625	2
8	95232-000	DOOR HOLDER FEMALE	1
9	99269-003	STRIKER (FOR -002 LATCH)	1

# Right Hand Door, Dutch



ITEM NO.	PART NUMBER	DESCRIPTION	QTY.
1	1000-0084	RIGHT DOOR	1
2	1000-0139	DUTCH DOOR FOAM	1
3	1000-0253	DUTCH DOOR STIFFENER	2
4	16248-000	.25-20 FLANGE NUT	9
5	16348-000	BULB SEAL .2 IN .125 - 165 IN	1
6	16446-000	M8-1.25 NYLOCK	6
7	350054-3	LIFT OFF HINGE RIGHT	3
8	65000-002	.25 -20X1 SS HHCS	1
9	94980-001	THREAD STUD .25-20X.625	8
10	95232-001	DOOR HOLDER MALE	1
11	99269-002	DOOR LATCH LOCKABLE	1

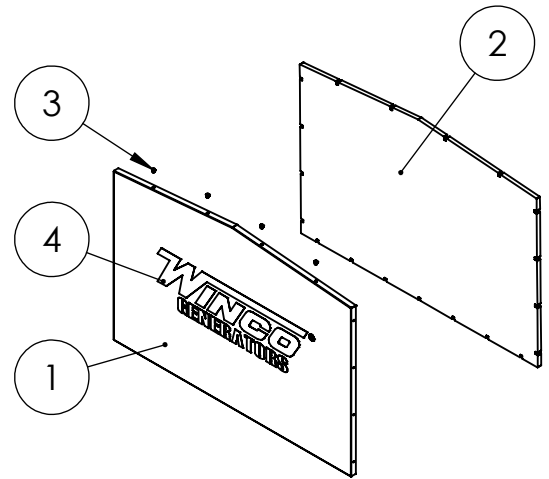
# Left Hand Door, Dutch



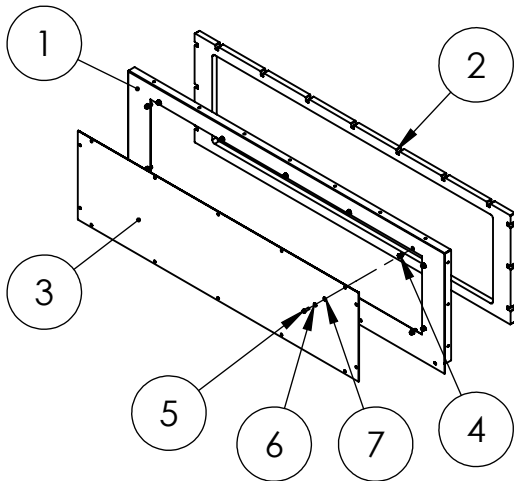
ITEM NO.	PART NUMBER	DESCRIPTION	QTY.
1	1000-0078	STRIKER BRACKET	1
2	1000-0085	LEFT HAND DOOR, NO HANDLE, DUTCH	1
3	1000-0141	RIGHT HAND DUTCH DOOR FOAM, NO HANDLE	1
4	1000-0258	DUTCH DOOR STIFFENER	2
5	16248-000	.25-20 FLANGE NUT	11
6	16348-000	BULB SEAL .2 IN .125 -114IN	1
7	16446-000	M8-1.25 NYLOCK	6
8	350054-4	LIFT OFF HINGE LEFT	3
9	352125-1	1/4-20 RIVET NUT 22 GA-10GA	2
10	65000-002	.25 -20X1 SS HHCS	1
11	94980-001	THREAD STUD .25-20X.625	10
12	95232-001	DOOR HOLDER MALE	1
13	99269-003	STRIKER (FOR -002 LATCH)	1

## Top Front Snorkle Panel

ITEM NO.	PART NUMBER	DESCRIPTION	QTY.
1	1000-0088	TOP FRONT SNORKEL PANEL	1
2	1000-0172	TOP FRONT SNORKEL PANEL FOAM	1
3	352126-1	RIVET NUT 5/16-18 .027-.150	4
4	98313-003	WINCO LOGO	1



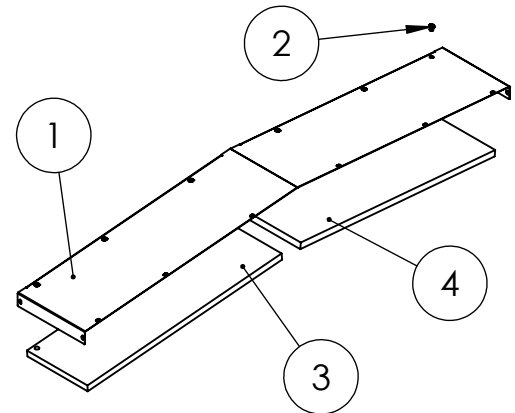
## Bottom Front Snorkle Panel



ITEM NO.	PART NUMBER	DESCRIPTION	QTY.
1	1000-0089	FRONT BOTTOM SNORKEL PANEL	1
2	1000-0173	BOTTOM FRONT SNORKEL PANEL FOAM	1
3	1000-0263	SNORKEL ACCESS PANEL	1
4	352126-1	RIVET NUT 5/16-18 .027-.150	14
5	65001-002	.3125-18X1 HHB SS	14
6	65003-001	LOCKWASHER 5/16 SPLIT SS	14
7	65005-001	5/16 WASHER SS	14

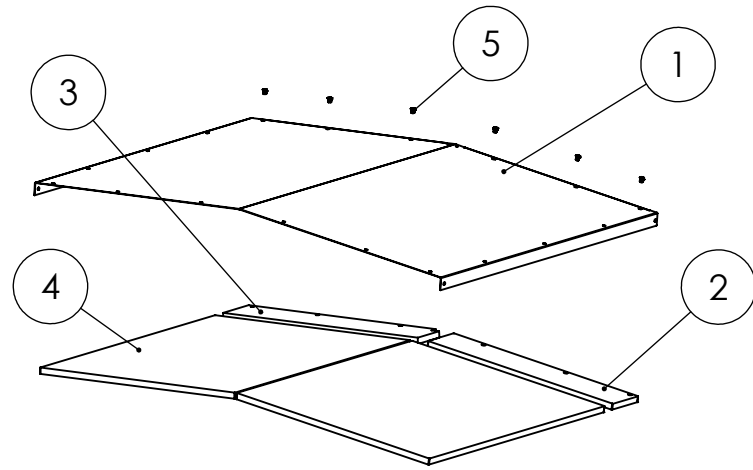
## Radiator Roof Panel

ITEM NO.	PART NUMBER	DESCRIPTION	QTY.
1	2000-0189	RADIATOR ROOF PANEL	1
2	352126-1	RIVET NUT 5/16-18 .027-.150	6
3	2000-0190	RIGHT SIDE RADIATOR ROOF PANEL FOAM	1
4	2000-0191	LEFT SIDE RADIATOR ROOF PANEL FOAM	1

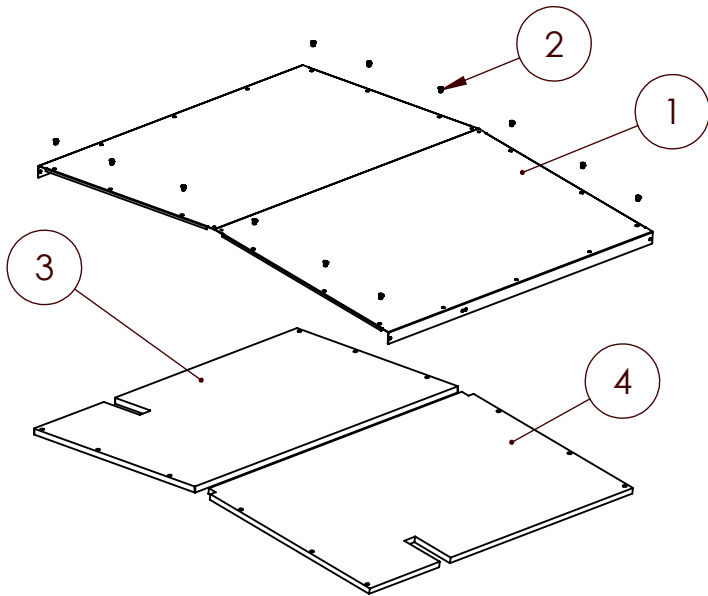


## Rear Roof Panel Assembly

ITEM NO.	PART NUMBER	DESCRIPTION	QTY.
1	1000-0094	REAR ROOF PANEL	1
2	1000-0177	RIGHT SIDE REAR ROOF PANEL FOAM, FRONT	1
3	1000-0178	LEFT SIDE REAR ROOF PANEL FOAM, FRONT	1
4	1000-0179	REAR ROOF PANEL FOAM	2
5	352126-1	RIVET NUT 5/16-18 .027-.150	6



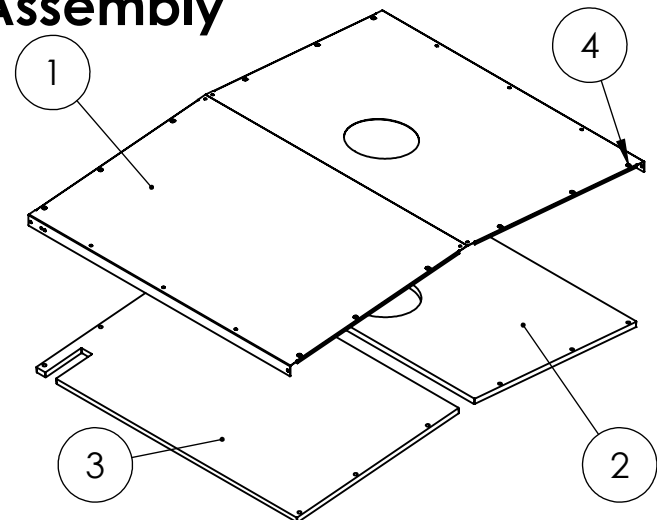
## Center Roof Panel Assembly



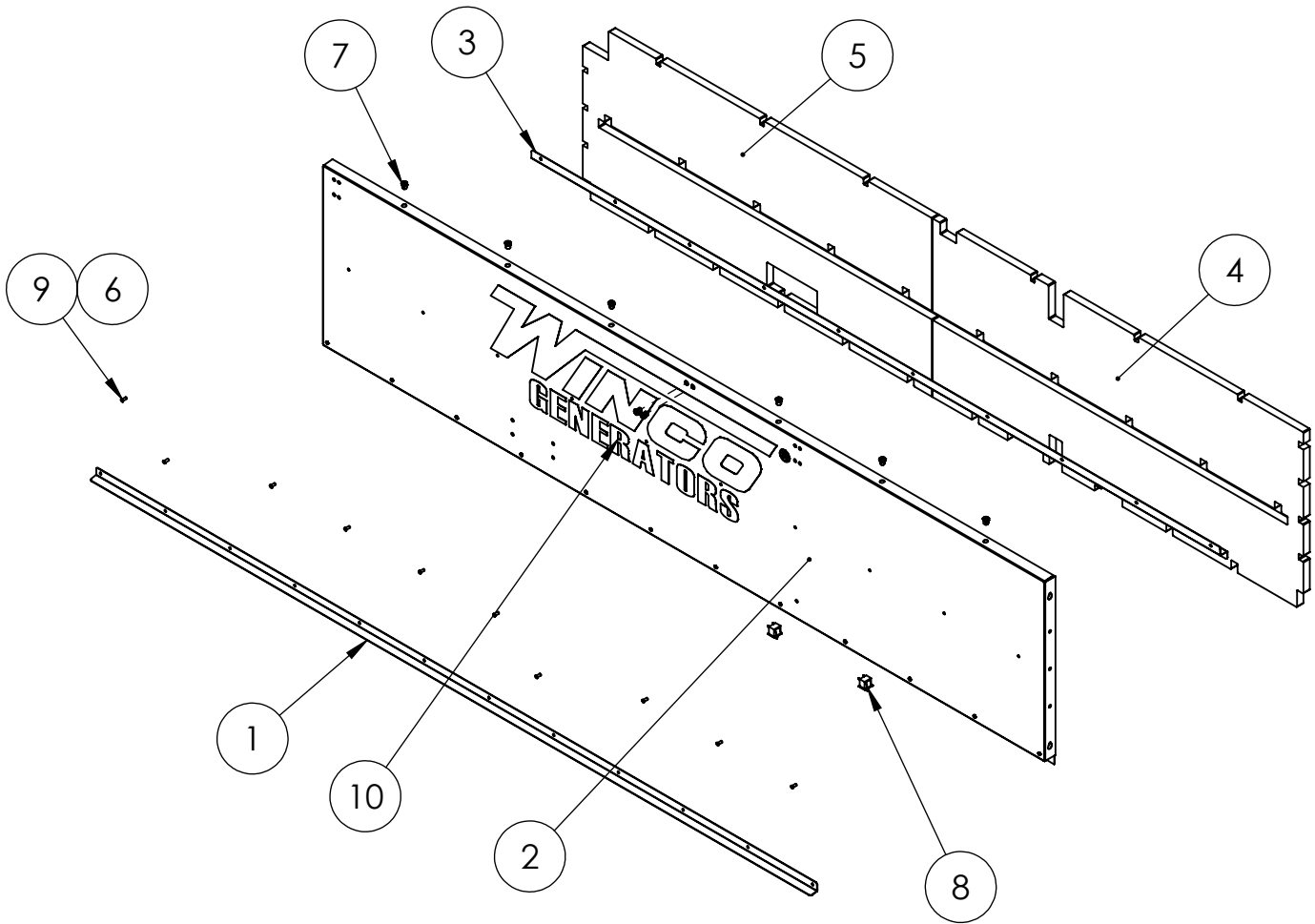
ITEM NO.	PART NUMBER	DESCRIPTION	QTY.
1	1000-0095	CENTER ROOF PANEL	1
2	352126-1	RIVET NUT 5/16-18 .027-.150	12
3	1000-0180	CENTER ROOF PANEL FOAM, RIGHT SIDE	1
4	1000-0181	CENTER ROOF PANEL FOAM, LEFT SIDE	1

## Silencer Roof Panel Assembly

ITEM NO.	PART NUMBER	DESCRIPTION	QTY.
1	1000-0486	SILENCER ROOF PANEL	1
2	1000-0487	SILENCER ROOF PANEL FOAM, RIGHT SIDE	1
3	1000-0183	SILENCER ROOF PANEL FOAM, LEFT SIDE	1
4	352126-1	RIVET NUT 5/16-18 .027-.150	12



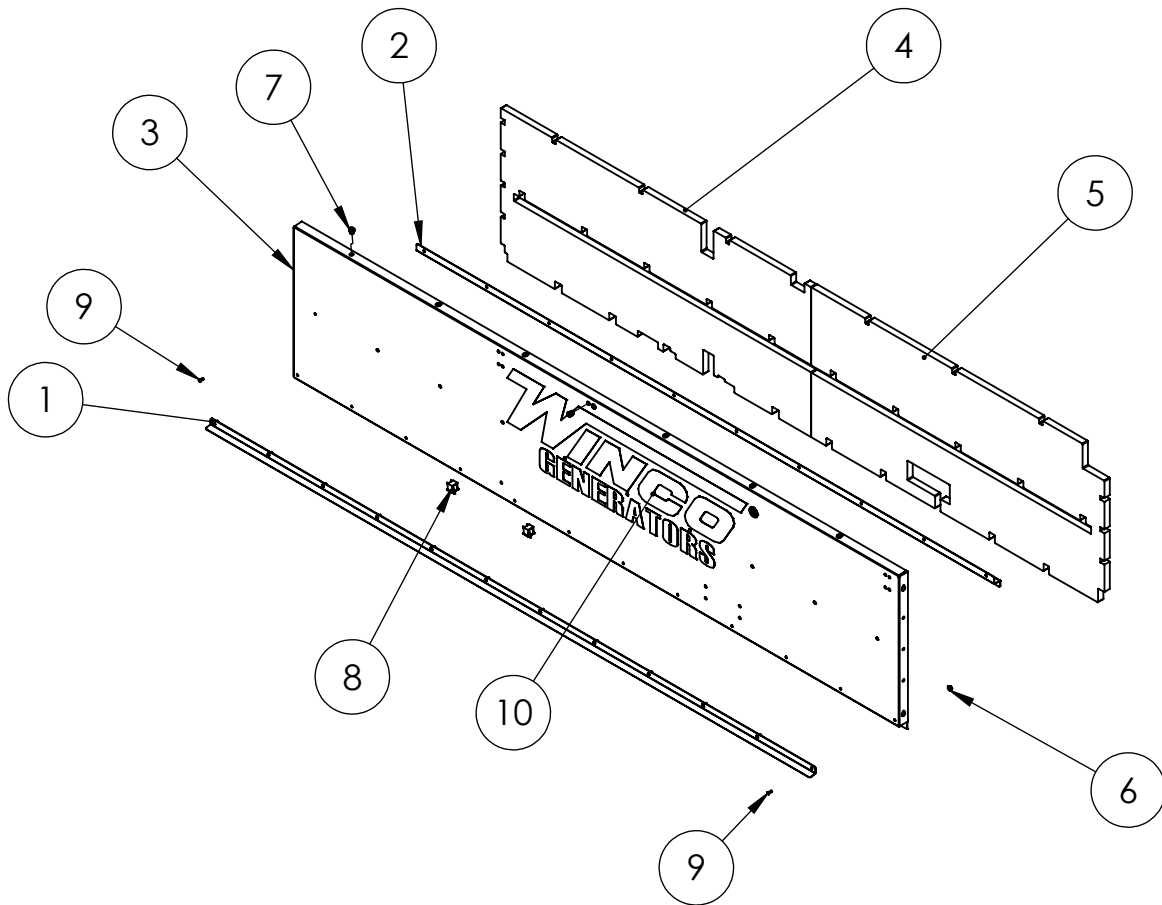
# Left Side Sill Panel



ITEM NO.	PART NUMBER	DESCRIPTION	QTY.
1	1000-0069	DRIP EDGE	1
2	1000-0254	LEFT SIDE SILL PANEL	1
3	1000-0255	DOOR SILL STIFFENER	1
4	1000-0256	TOP LEFT SILL, BACK CORNER FOAM	1
5	1000-0257	TOP LEFT SILL FOAM, FRONT	1
6	16248-000	.25-20 FLANGE NUT	22
7	352126-1	RIVET NUT 5/16-18 .027-.150	8
8	71444-004	SWITCH N.C.	2
9	94980-001	THREAD STUD .25-20X.625	22
10	98313-003	WINCO LOGO	1



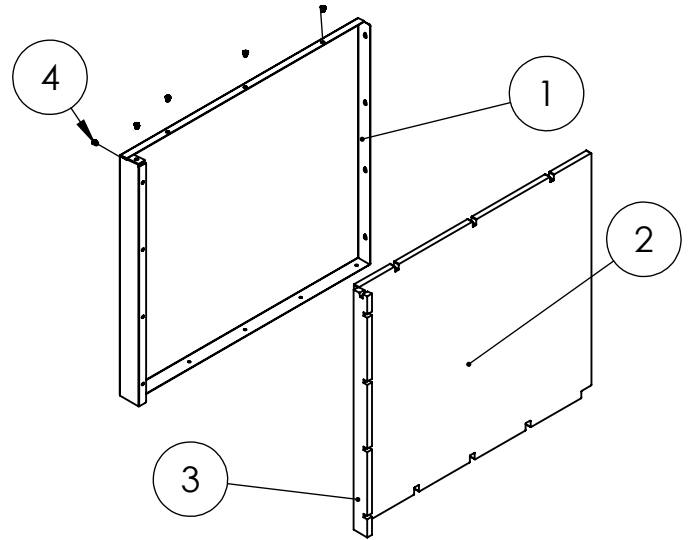
# Right Side Sill Panel



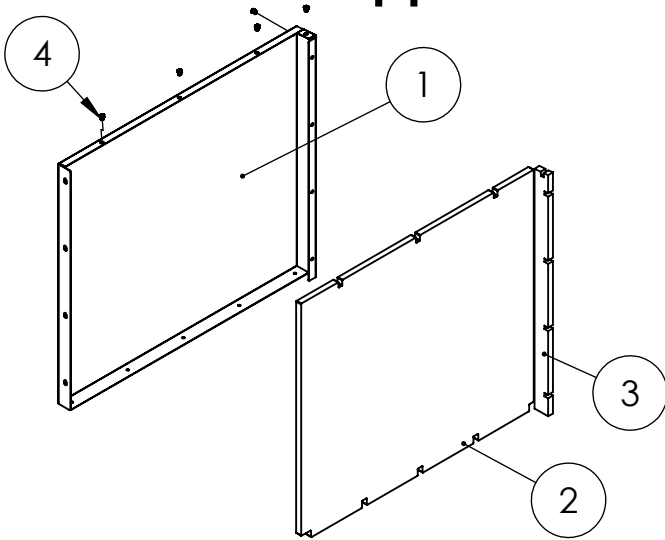
ITEM NO.	PART NUMBER	DESCRIPTION	QTY.
1	1000-0069	DRIP EDGE	1
2	1000-0255	DOOR SILL STIFFENER	1
3	1000-0259	RIGHT SIDE SILL PANEL	1
4	1000-0260	TOP RIGHT SILL, BACK CORNER FOAM	1
5	1000-0261	TOP RIGHT SILL FOAM, FRONT	1
6	16248-000	.25-20 FLANGE NUT	22
7	352126-1	RIVET NUT 5/16-18 .027-.150	8
8	71444-004	SWITCH N.C.	2
9	94980-001	THREAD STUD .25-20X.625	22
10	98313-003	WINCO LOGO	1

## Upper Right Side Snorkel Assembly

ITEM NO.	PART NUMBER	DESCRIPTION	QTY.
1	2000-0322	RIGHT UPPER SNORKEL SIDE	1
2	2000-0340	RIGHT SIDE PANEL FOAM UPPER	1
3	2000-0353	FRONT UPPER FOAM RIGHT	1
4	352126-1	RIVET NUT 5/16-18 .027-.150	5



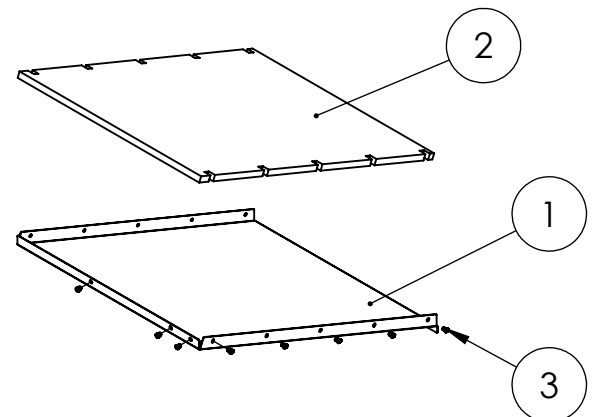
## Upper Left Side Snorkel Assembly



ITEM NO.	PART NUMBER	DESCRIPTION	QTY.
1	2000-0346	UPPER LEFT SNORKEL SIDE	1
2	2000-0343	LEFT SIDE PANEL FOAM UPPER	1
3	2000-0352	FRONT UPPER FOAM LEFT	1
4	352126-1	RIVET NUT 5/16-18 .027-.150	5

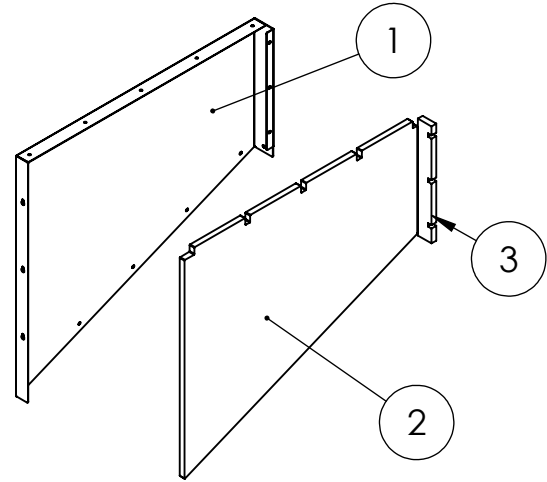
## Lower Left Side Snorkel Assembly

ITEM NO.	PART NUMBER	DESCRIPTION	QTY.
1	2000-0348	SNORKEL BOTTOM LEFT	1
2	2000-0335	SNORKEL LOWER FOAM	1
3	352126-1	RIVET NUT 5/16-18 .027-.150	8

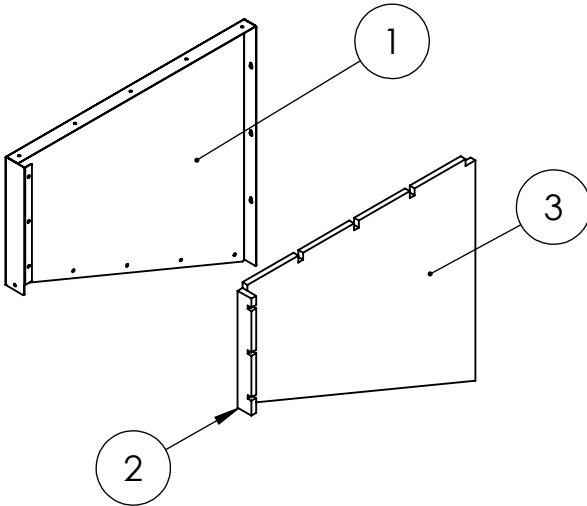


## Lower Left Side snorkel

ITEM NO.	PART NUMBER	DESCRIPTION	QTY.
1	2000-0347	LOWER LEFT SNORKEL SIDE	1
2	2000-0344	LEFT SIDE PANEL FOAM BOTTOM	1
3	2000-0354	FRONT LOWER FOAM LEFT	1



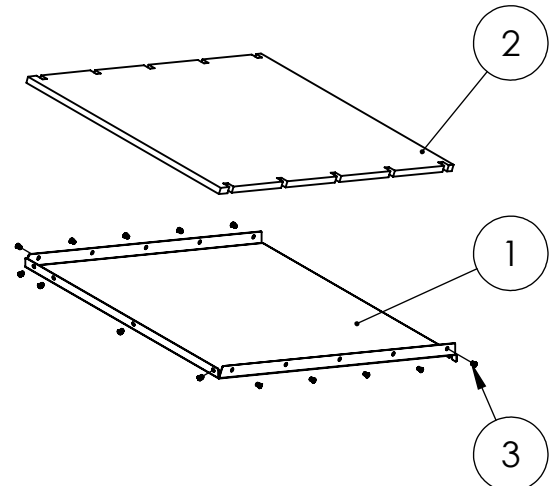
## Lower Right Front Side snorkel



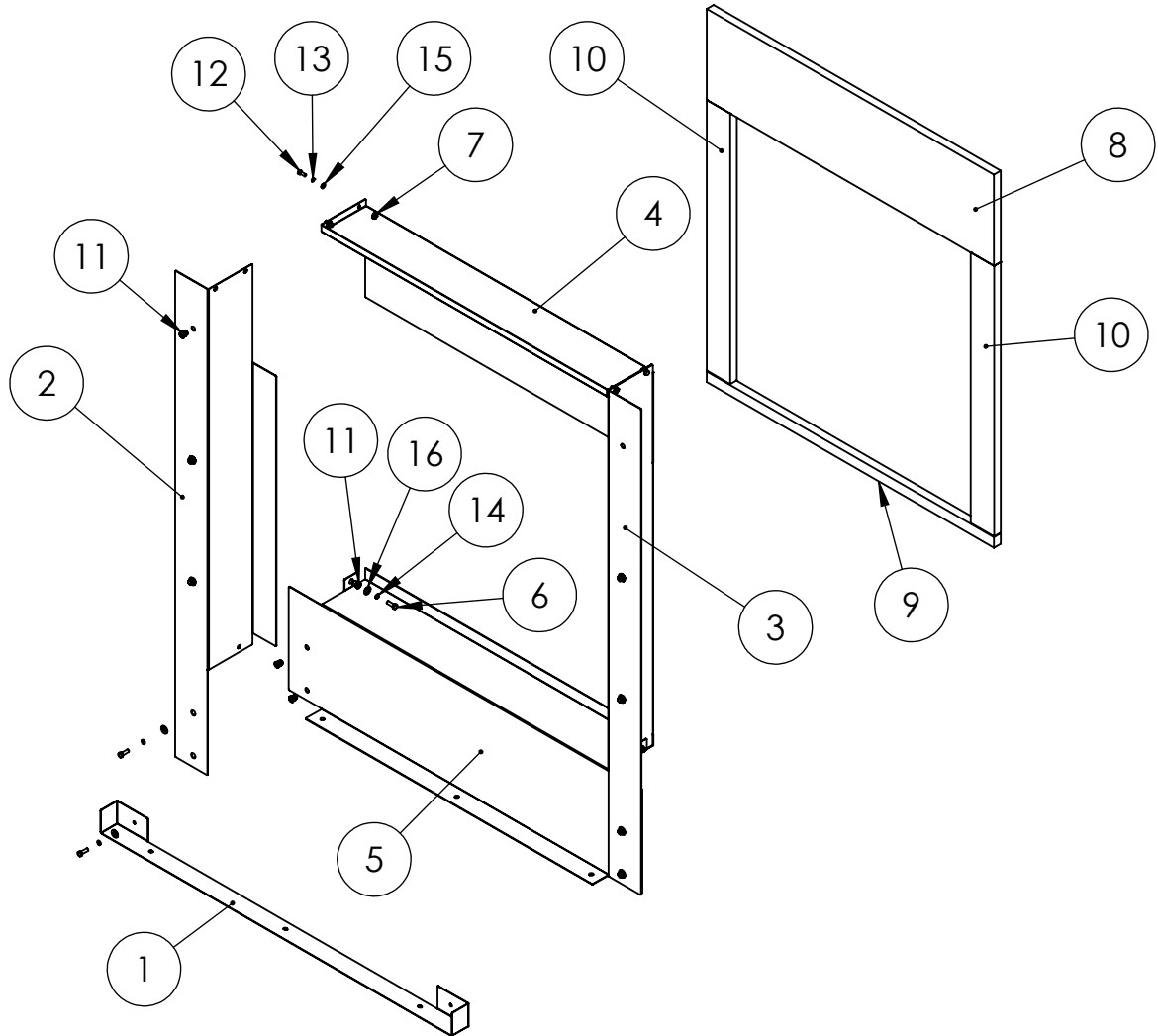
ITEM NO.	PART NUMBER	DESCRIPTION	QTY.
1	2000-0321	RIGHT LOWER SNORKEL SIDE	1
2	2000-0355	FRONT LOWER FOAM RIGHT	1
3	2000-0342	RIGHT SIDE PANEL FOAM BOTTOM	1

## Lower Right Side snorkel

ITEM NO.	PART NUMBER	DESCRIPTION	QTY.
1	2000-0345	SNORKEL BOTTOM RIGHT	1
2	2000-0341	SIDE PANEL FOAM CENTER	1
3	352126-1	RIVET NUT 5/16-18 .027-.150	14

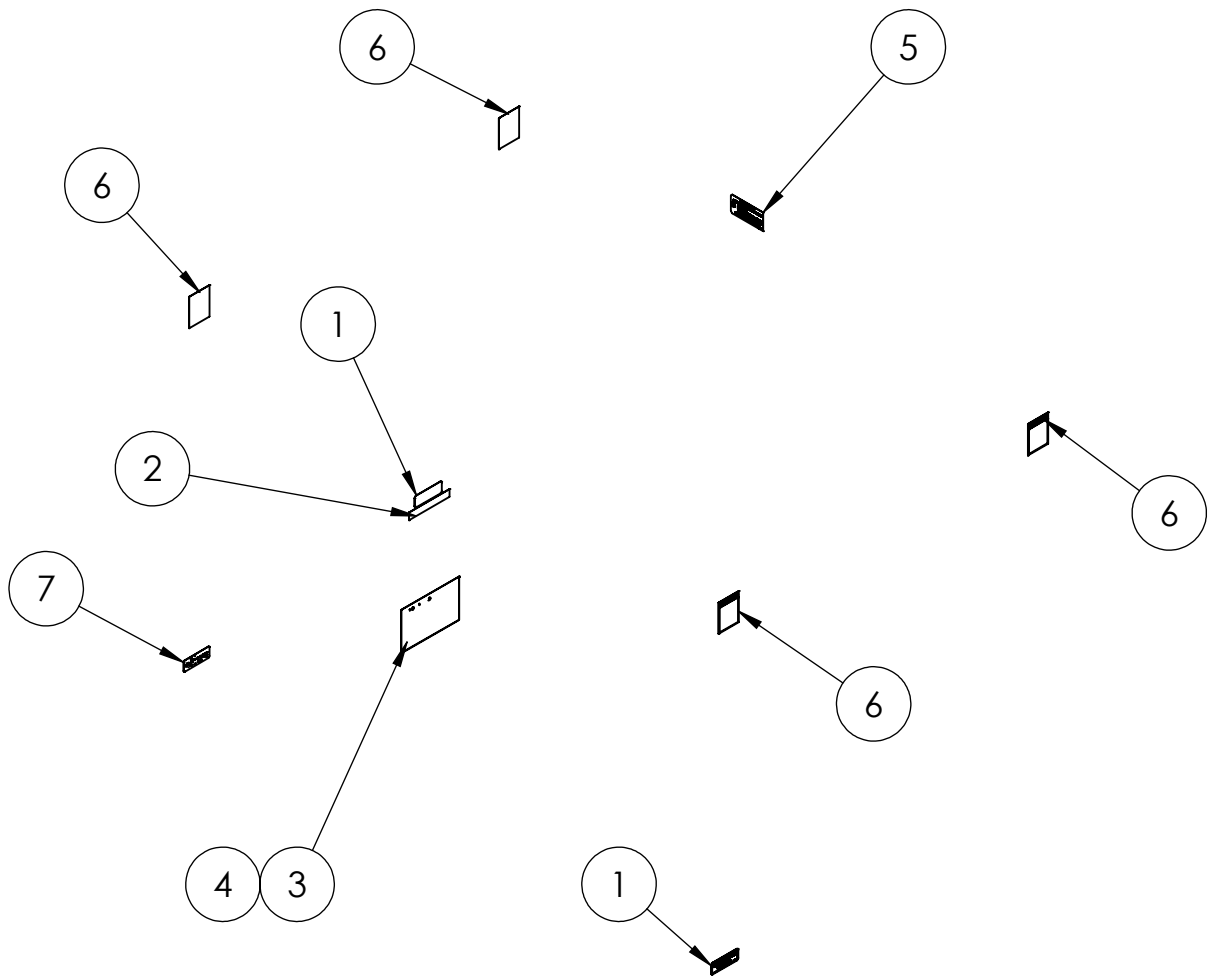


# Radiator Extension Assembly



ITEM NO.	PART NUMBER	DESCRIPTION	QTY.
1	1000-0475	RAD. BOTTOM SILL	1
2	1000-0497	RIGHT SIDE RADIATOR EXTENSION	1
3	1000-0498	LEFT SIDE RADIATOR EXTENSION	1
4	1000-0499	TOP RADIATOR EXTENSION	1
5	1000-0500	BOTTOM RADIATOR EXTENSION	1
6	1116-000	HHCS .3125-18X1	10
7	16248-000	.25-20 FLANGE NUT	4
8	2000-0168	RADIATOR TOP FOAM	1
9	2000-0169	RADIATOR BOTTOM FOAM	1
10	2000-0170	RADIATOR SIDE FOAM	2
11	352126-1	RIVET NUT 5/16-18 .027-.150	11
12	466-000	.25-20X.75 HHB	4
13	479-000	LOCK WASHER, .25" SPLIT	4
14	480-000	LOCK .3125 SPLIT	10
15	488-000	FLAT WASHER .25 X .5625 .0468	4
16	526-000	WASHER ID .375 OD .890	10

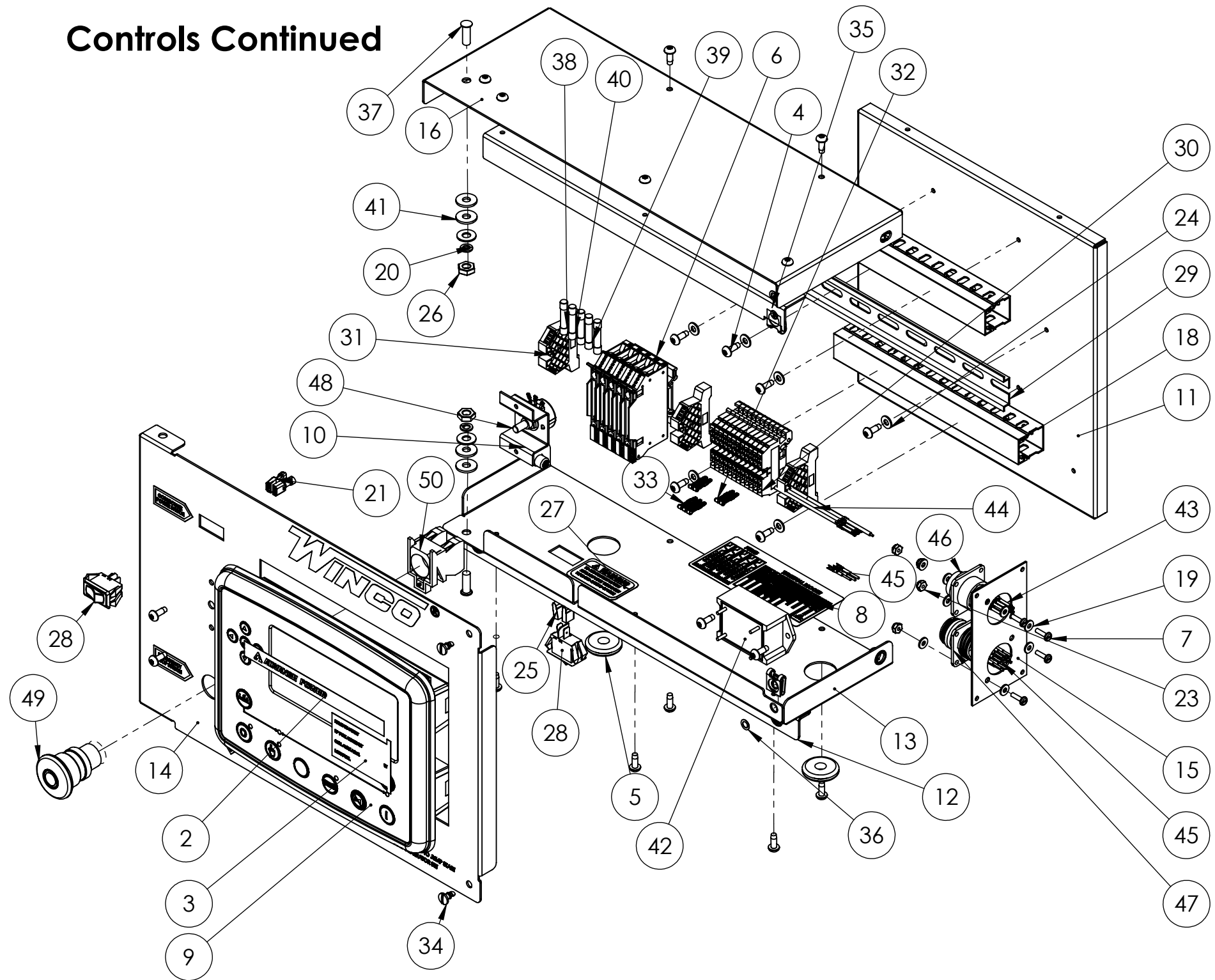
# Decal Package



ITEM NO.	PART NUMBER	DESCRIPTION	QTY.
1	97381-001	DECAL-DIESEL FUEL ONLY	2
2	15209-000	UL-DECAL ELECTRICAL SHOCK CAN KILL	1
3	16505-011	NAME PLATE	1
4	16506-004	NAME PLATE OVERLAY	1
5	60710-097	TAG OIL WARNING	1
6	97813-000	DECAL-WARNING CYCLE CRANK	4
7	63941-003	DECAL-WARNING NO SPARK	1



# Controls Continued

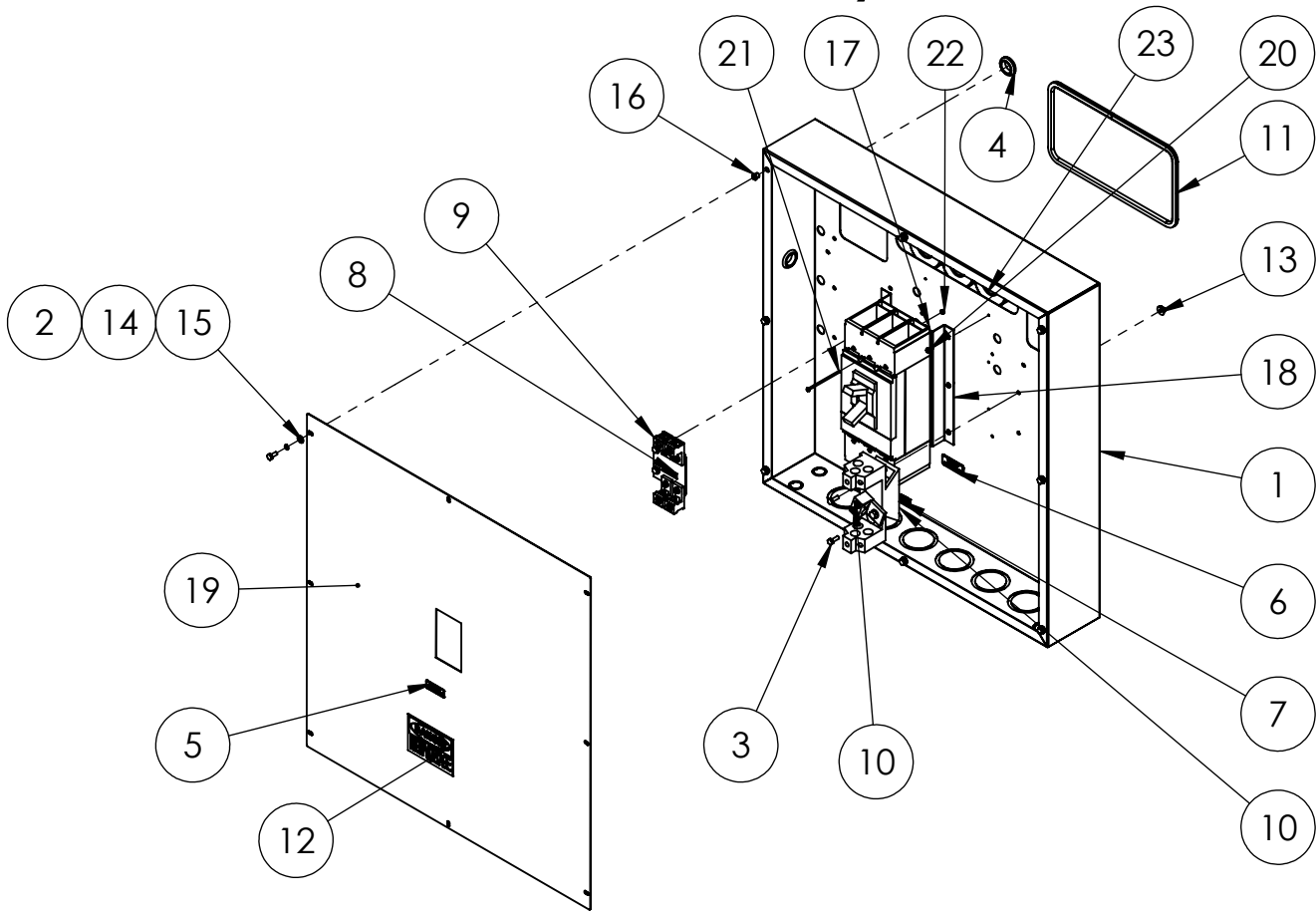


## Controls Continued

ITEM NO.	PART NUMBER	DESCRIPTION	QTY.
1	11067-000	18 GA WIRE	1
2	16600-005	DSE MKII ADVANCE POWER LOGO INSERT	1
3	16601-007	DSE 8610 MKII LIGHT LEGEND CARD INSERT	1
4	21698-001	TORX PAN HEAD SCREW #10	21
5	23917-002	GROMMET, .375ID X 1	2
6	2489-003	DIN RAIL FUSE HOLDER 1-1/4 X 1/4IN	5
7	24988-000	SCREW 6-32 X 1/2 BIND	4
8	351095-16	DECAL, FUSES AND TERMINAL BLOCKS	1
1	351112-29	DEEP SEA ELECTRONICS 7310 MKII	1
10	351900-36	RHEOSTAT MOUNTING BRACKET	1
11	351900-42	DIN RAIL MOUNTING PLATE	1
12	351900-44	COVER SUPPORT BRACKET	1
13	351900-45	DSE8610 CONTROL BOX BOTTOM	1
14	351900-47	DSE 7310 MKII FRONT PANEL	1
15	351900-51	PLUG MOUNTING PLATE	1
16	351900-52	DSE CONTROL BOX TOP	1
17	351900-53	DSE PANEL STOP	1
18	352017-001	WIRE DUCT, 8.5IN	2
19	425-000	#6 FLATWASHER	8
20	479-000	LOCK WASHER, .25" SPLIT	2
21	48602-003	TERMINAL FEMALE 16-14 AWG .250 TAB	2
22	512-000	.25 WASHER	2
23	51802-000	NUT HEX #6-32 NYLOCK	4
24	598-000	#10 WASHER	6
25	61898-000	TERMINAL FLAG 16/14AWG .250	2
26	638-000	HEX NUT, .25IN	2
27	63941-004	DECAL FUSE WARNING (ENGLISH)	1
28	64089-000	SPST, ROCKER SWITCH	2
29	64551-005	DIN RAIL 9.5"	1
30	80623-009	TERMINAL BLOCK, DIN MOUNTED, SPRING CAGE	12
31	80623-010	END BLOCK, DIN MOUNTED	3
32	80623-011	2-POLE TERMINAL BLOCK JUMPER	2
33	80623-012	3-POLE TERMINAL BLOCK JUMPER	1
34	91682-001	STUD 1/4 TURN SLOTTED	2
35	91683-000	1/4 TURN CLIP NUT	2
36	91684-000	RETAINER RING 1/4 TURN SPLIT RING	2
37	94980-003	THREAD STUD .25-20 X .750	2
38	95064-006	FUSE AGC 10 AMP	1
39	95064-008	FUSE AGC 2 AMP	3
40	95064-000	FUSE AGC 3 AMP	1
41	96286-001	1/4" NYLON WASHER	4
42	96333-001	LOW COOLANT MODULE	1
43	96923-001	TERMINAL, SOCKET, 18-16AWG	10
44	96923-101	PLUG TERMINAL	4
45	96924-001	TERMINAL, PIN, 18-16AWG	16
46	96925-002	14 PIN CONNECTOR	1
47	96925-006	16 PIN CONNECTOR	1
48	97517-001	RHEOSTAT	1
49	99783-001	SWITCH, PUSH-PULL	1
50	99783-002	SWITCH CONTACT	1

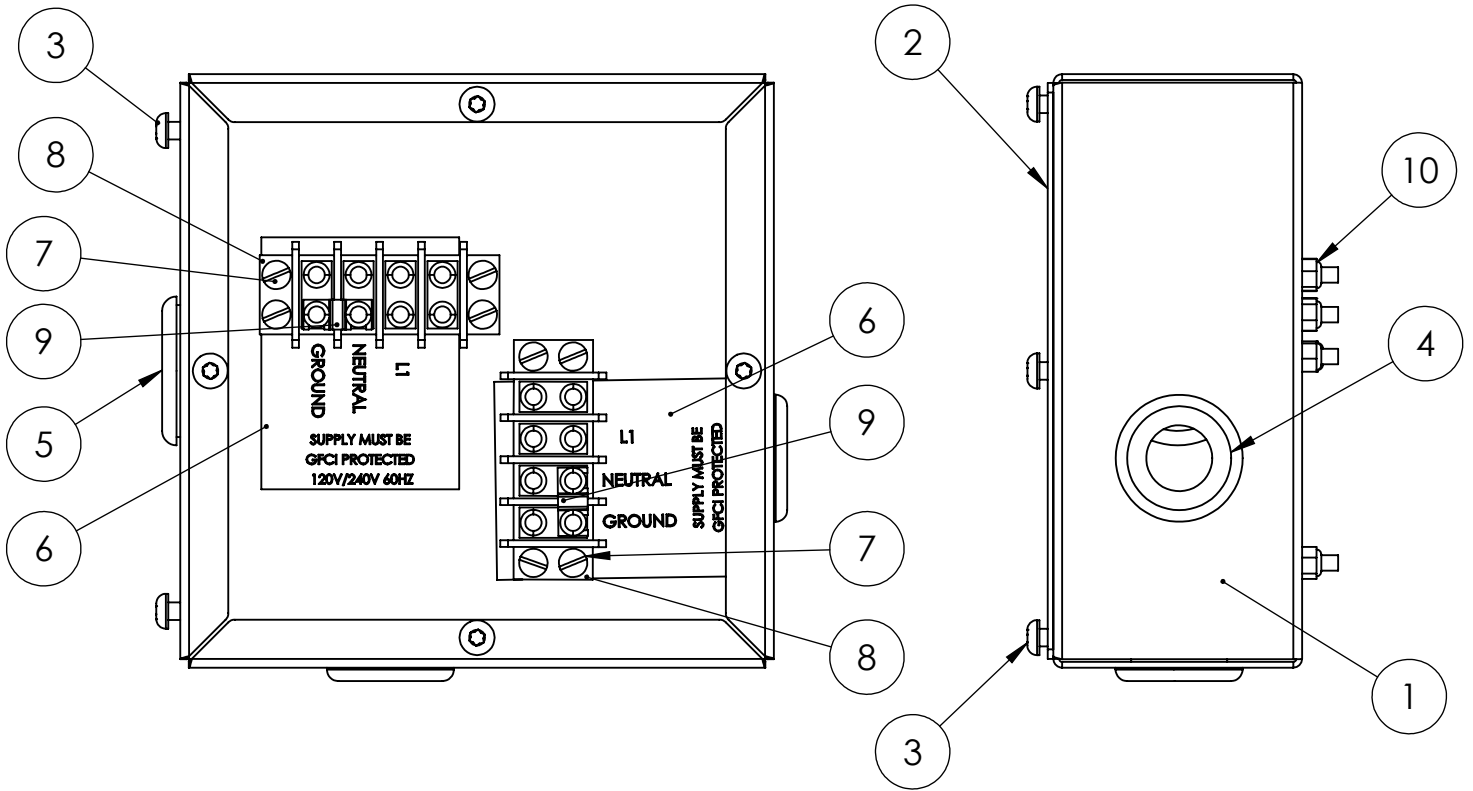


# CB Assembly



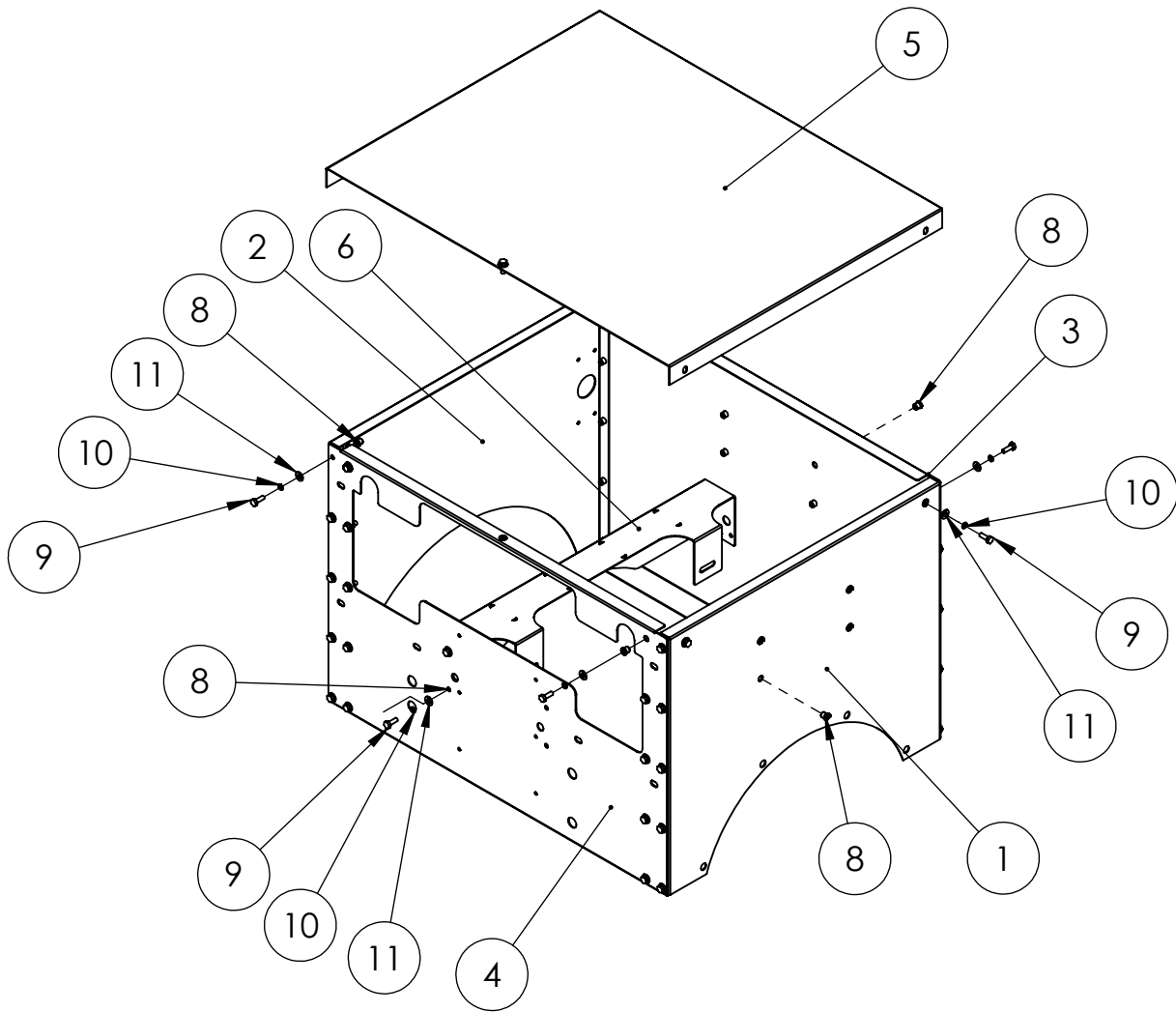
ITEM NO.	PART NUMBER	DESCRIPTION	QTY.
1	1000-0523	CB BOX, -17, -18, -21	1
2	476-000	.25-20X.625 HHB	8
3	466-000	.25-20X.75 HHB	2
4	62486-000	GROMMET 1 X 1.375	3
5	16502-001	DECAL-AC POWER DISCONNECT	1
6	16503-000	DECAL-COPPER CONDUCTORS ONLY	1
7	16501-000	DECAL-FLOATING NEUTRAL	1
8	15750-000	GROUND DECAL (WHITE LETTERS)	1
9	350125-5	GROUND KIT	1
10	350124-1	NEUTRAL BLOCK ASSEMBLY 1000A	1
11	58684-034	39.75 IN EDGE TRIM	1
12	91498-000	DECAL-DANGER HIGH VOLTAGE 3.5x5	1
13	16248-000	.25-20 FLANGE NUT	2
14	479-000	LOCK WASHER, .25" SPLIT	8
15	512-000	.25 WASHER	8
16	352125-1	1/4-20 RIVET NUT 22 GA-10GA	8
17	81097-070	CIR. BRK. L-FRAME 3PH-600A-600V	1
18	1000-0522	CB RISER, -070 BREAKER	1
19	1000-0524	CB BOX COVER, -17, -18, -21	1
20	21698-001	TORX PAN HEAD SCREW #10	6
21	92009-000	RHMS 8-32X3.5	4
22	95985-000	#8-32 NYLOK HEX NUT	4
23	80125-002	CURRENT TRANSFORMER, 800-5	3

# Connection Box Assembly



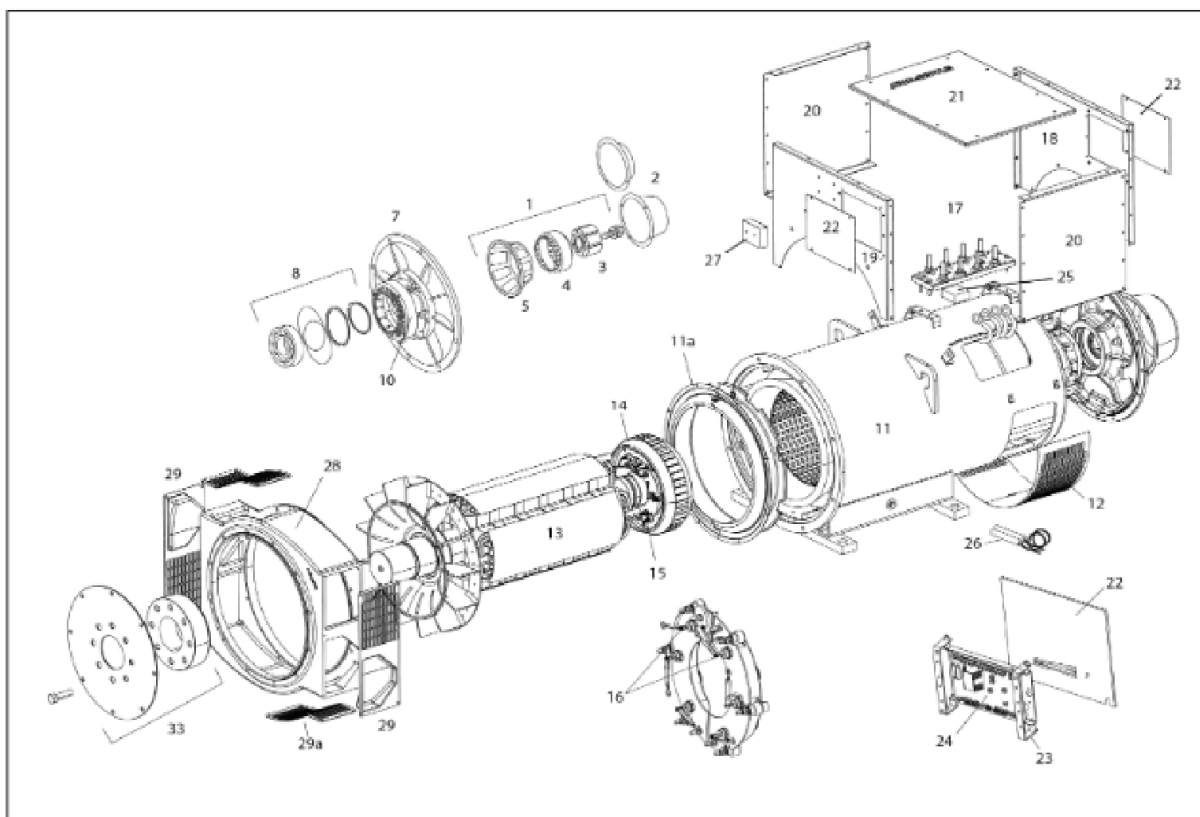
ITEM NO.	PART NUMBER	DESCRIPTION	QTY.
1	1000-0268	DC DISTRIBUTION BOX	1
2	1000-0269	DC DISTRIBUTION BOX COVER	1
3	21698-001	TORX PAN HEAD SCREW #10	8
4	23917-000	GROMMET .6875ID X 1	2
5	62486-000	GROMMET 1 X 1.375	1
6	64576-021	DECAL-GFCI PROTECTED UTILITY 240V	2
7	7614-000	RHMS 8-32 X .75	8
8	80623-014	TERMINAL BLOCK, 4 PT, 25AMP, 250VAC, .438" DOUBLE ROW BARRIER TERMINAL STRIP	2
9	80623-015	2 POLE OVER-WALL TERMINAL BLOCK JUMPER, 25A	2
10	95985-000	NUT HEX #8-32 NYLON	8

# Outlet Box Assembly



ITEM NO.	PART NUMBER	DESCRIPTION	QTY.
1	1000-0515	REAR GEN PANEL, S4 SERIES	1
2	1000-0516	FRONT GEN PANEL, S4 SERIES	1
3	1000-0517	OPPOSITE CB PANEL, S4 SERIES	1
4	1000-0518	CB SIDE PANEL, S4 SERIES	1
5	1000-0519	TOP GEN PANEL, S4 SERIES	1
6	1000-0521	OUTLET BOX BRACE, S4 SERIES	1
7	16248-000	.25-20 FLANGE NUT	2
8	352125-1	1/4-20 RIVET NUT 22 GA-10GA	47
9	466-000	.25-20X.75 HHB	42
10	479-000	LOCK WASHER, .25" SPLIT	42
11	512-000	.25 WASHER	42

# Generator



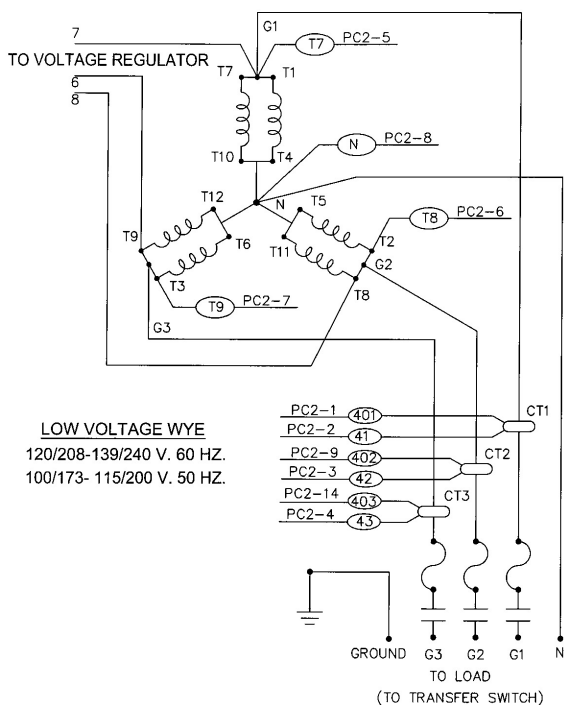
ITEM	DESCRIPTION	DR400 -04, -17	DR400 -18	QTY
--	COMPLETE GENERATOR END	350030-33	352012-31	1
--	STAMFORD MODEL	S4L1D-G4	S4L1D-F41	--
--	WINDING	311	311	--
24	AVR	64921-004	8-111	1
16	DIODE FWD/REV & VARISTOR KIT	8-112	8-112	1
--	PMG FUSES	8-113	8-113	3

Contact Winco for additional generator parts support.

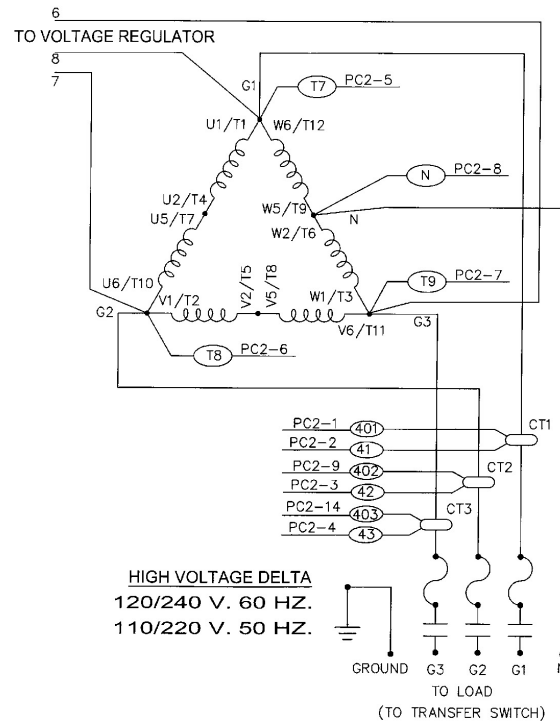
EXPECTED RESISTANCE ( $\Omega$ )@ 22°C (+/-10%)			
MODEL	S4L1D-G4 12 LEAD	S4L1D-F41 12 LEAD	S4L1S-F4 12 LEAD
STATOR WINDING (LEAD TO LEAD)	.0033	.0037	.0055
ROTOR WINDING	1.44	1.37	1.37
EXCITER STATOR	18	18	18
EXCITER ROTOR (LEAD TO LEAD)	.136	.136	.136
PMG STATOR (LEAD TO LEAD)	3.8	3.8	3.8

# Generator Connections

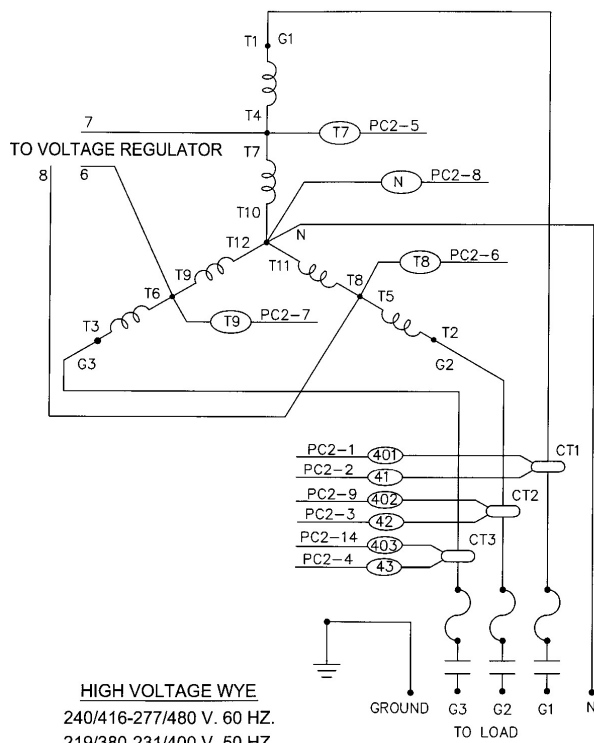
## THREE PHASE-LOW WYE 120/208 VOLTS



## THREE PHASE -DELTA 120/240 VOLTS



## THREE PHASE-HIGH WYE 277/480 VOLTS



# Generator Control Schematic

