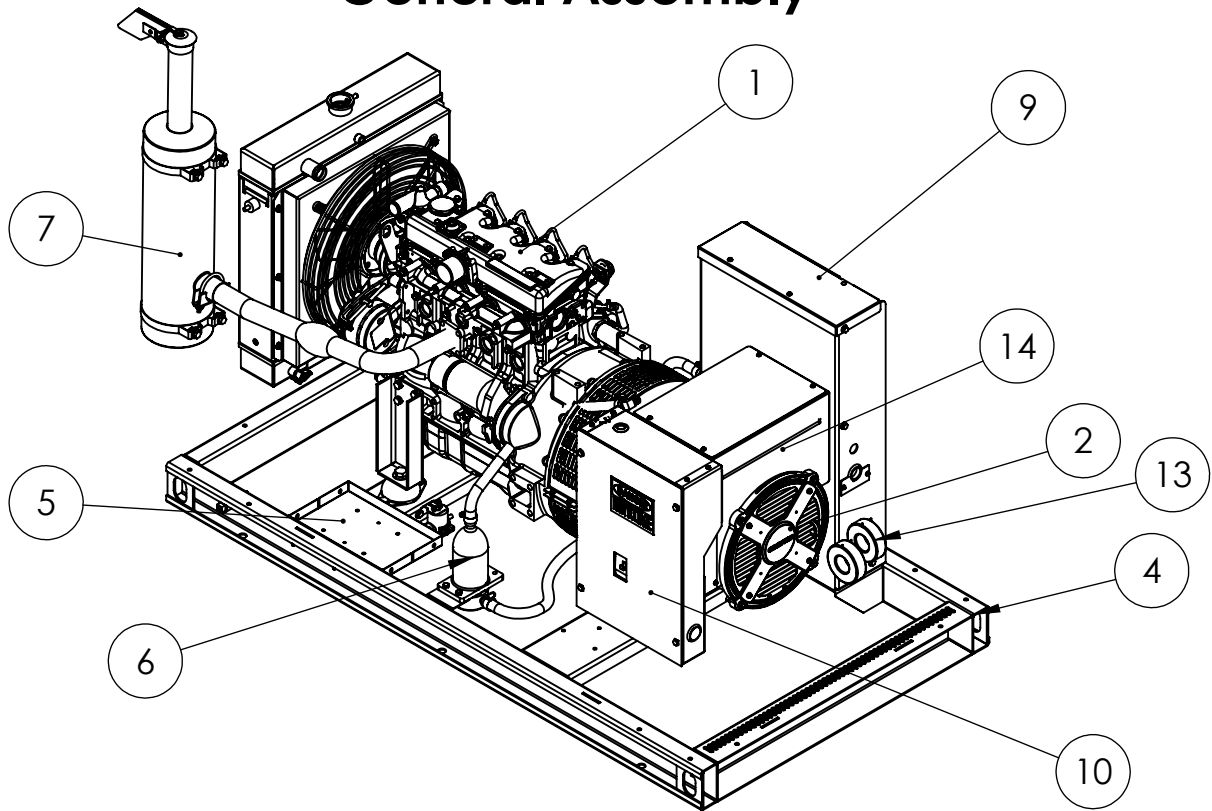


WINCO Service
Phone: 507-357-6831
Email: service@wincogen.com
www.wincogen.com

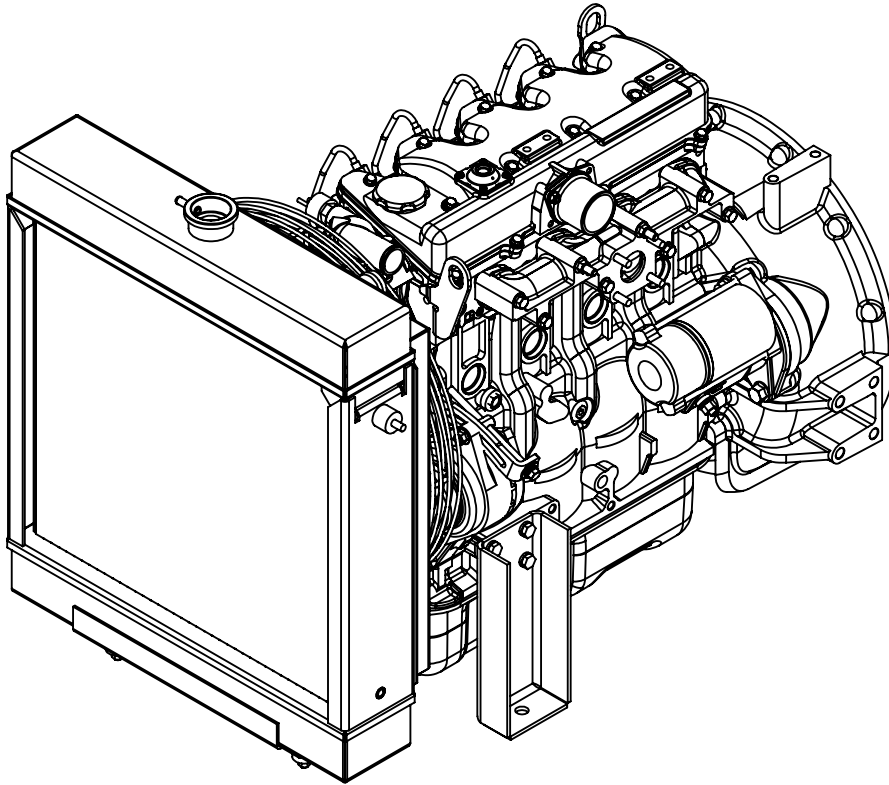
General Assembly



ITEM NO.	PartNo	DESCRIPTION	QTY.
1	350001-102S	ENGINE, ISUZU, MODEL 4LE2, 2.2L, 35.3HP, TIER 4I, SAE# 4/10", STANDBY APPLICATION ONLY	1
2	SEE TABLE	GEN END SOL2-M1 SAE4-10 706 WDG	1
3	408020-008	HARDWARE KIT DR20 410 ADAPTER	1
4	401020-001	WELDEMENT BASE ASSEMBLY	1
5	405020-200	BATTERY TRAY ASSEMBLY	1
6	409020-200	BLOCK HEATER KIT DR12	1
7	SEE TABLE	EXHAUST SYSTEM	1
8	411020-103	ENGINE HARNESS DR2014 MKII CONTROL	1
9	351903-30	CONTROL TOWER	1
10	SEE TABLE	CB BOX ASSEMBLY	1
11	474020-301	HOUSING ASSEMBLY	1
12	351559-10	DECAL INSTALL	1
13	SEE TABLE	GEN MOD DR20 1P MKII	1
14	352308-100	S0 GEN ADAPTER KIT	1

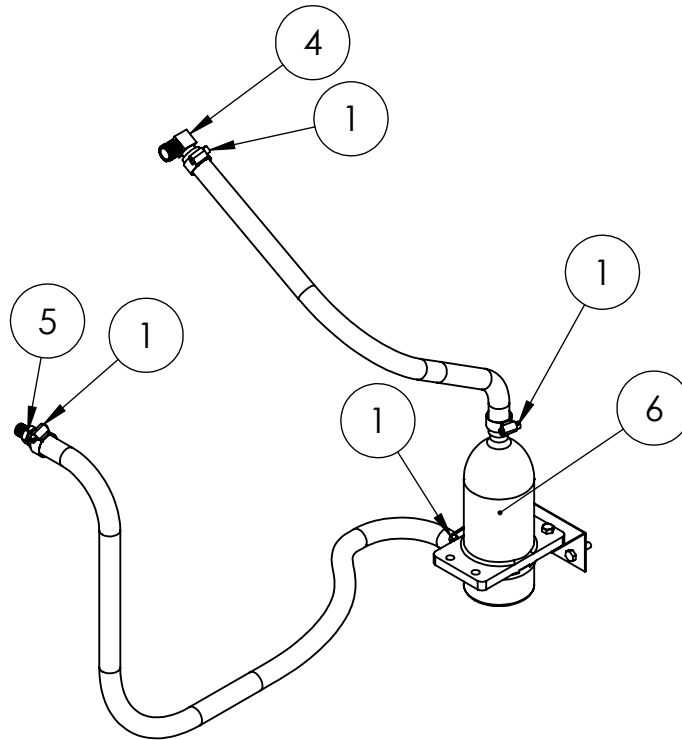
	ITEM 2	ITEM 10	ITEM 13
DR2014-03	350023-7	402020-052	410020-104
DR2014-04 OR -17	350023-8	402020-053	410020-301
DR2014-18	350023-8	402020-053	410020-301

Engine



ITEM	PART	DESCRIPTION	QTY
1	7-106	AIR FILTER	1
2	7-101	FUEL FILTER - SPIN ON	1
3	7-100	OIL FILTER	1
4	7-102	METAL IN-LINE FUEL PUMP	1
5	7-116	FAN BELT	1
6	7-117	UPPER RADIATOR HOSE	1
7	7-118	LOWER RADIATOR HOSE	1
Contact Winco service for full engine parts support.			

Block Heater

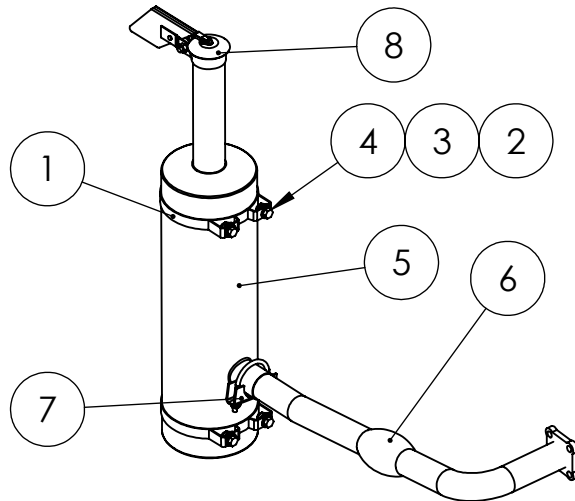


ITEM NO.	PartNo	DESCRIPTION	QTY.
1	81018-005	HOSE CLAMP 1.0625-.500	4
2	439-000	HHB .25-20 X 1	2
3	16248-000	1/4-20 FLANGE NUT	2
4	92382-000	HOSE FIT.ELBOW .375NPT X .625 HOSE	1
5	350341	HOSE FITTING 1/4 NPT (M) X 5/8 HOSE BARB	1
6	80781-003	PRE HEATER 1000W/120V TANK HEATER	1

Fuel System

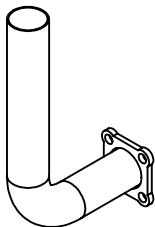
ITEM	PART	DESCRIPTION	QTY
1	350041-93	55 GAL, UL142 TANK	1
2	350041-108	110 GAL, UL142 TANK	1
3	350041-97	155 GAL, UL142 TANK	1
4	56372-001	HEX REDUCER 1/2-3/8 NPT BRASS	2
5	94319-010	HOSE FITTING 3/8-18 NPT X .3125 HOSE BARB	2
6	81018-009	HOSE CLAMP .625-.25	4
7	55506-000	HOSE 5/16-11 RUBBER	6 FT
8	91083-001	HHCS 5/8-11 X 1.5" GR 5 BOLT	6
9	516-000	WASHER 5/8 ID 1.31 OD STEEL ZINC	12
10	95468-000	.625-11 NYLOCK NUT	6

HOUSED EXHAUST SYSTEM



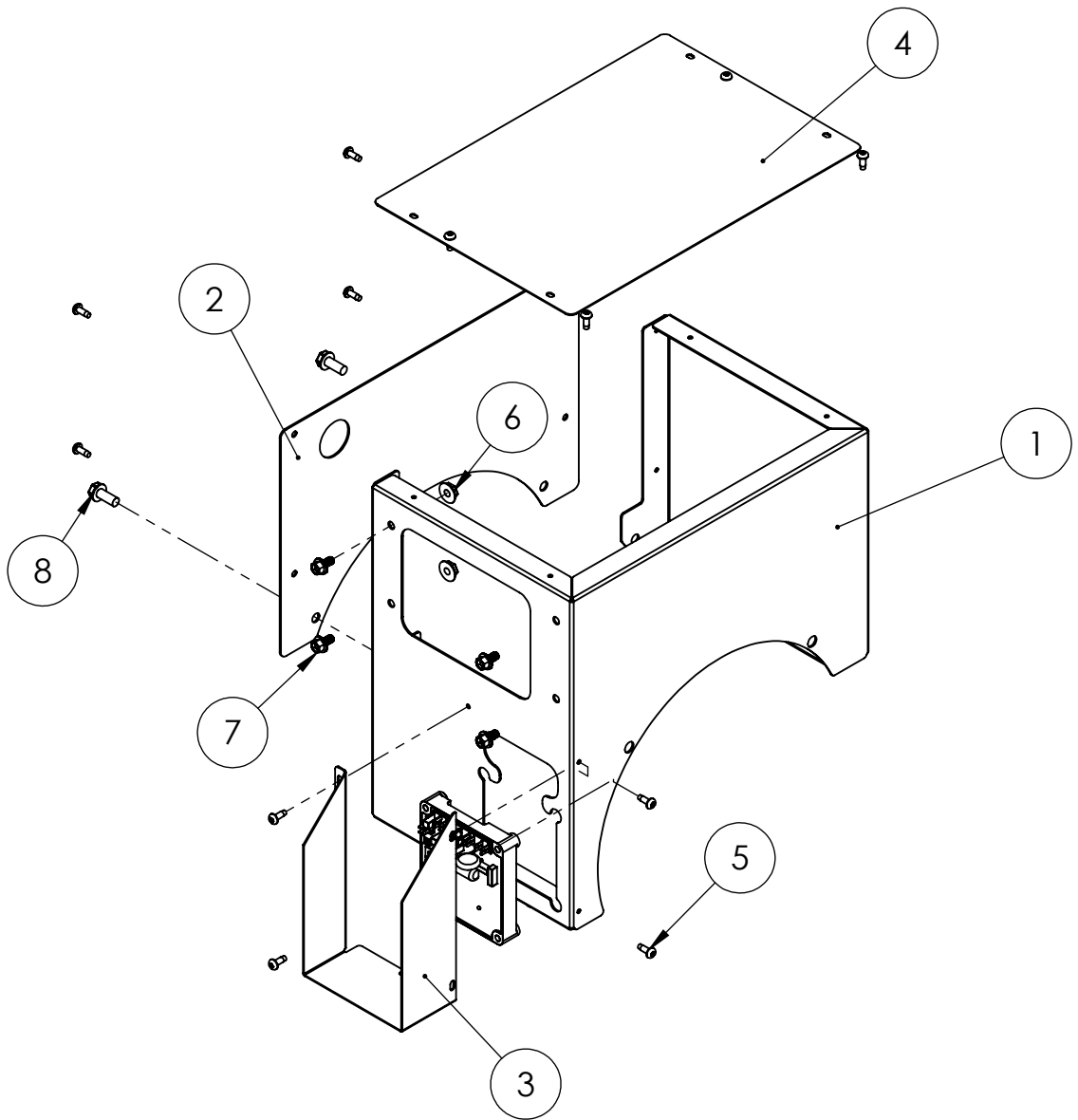
ITEM NO.	PartNo	DESCRIPTION	QTY.
1	350264-2	6IN MUFFLER BRACKET	2
2	16250-000	.375-16 FLANGE NUT	4
3	65005-002	.375 FLATWASHER SS	4
4	65002-000	.375-16X.75 HHB SS	4
5	300335-17	MUFFLER CRITICAL GRADE	1
6	300335-15	FLEX PIPE	1
7	93489-003	2" EXHASUT CLAMP	1
8	53111-007	2" RAIN CAP	1

OPEN SKID EXHAUST SYSTEM



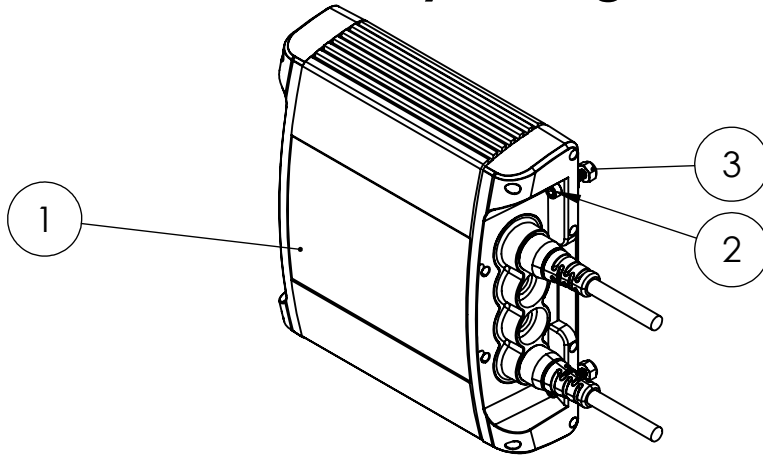
ITEM NO.	PartNo	DESCRIPTION	QTY.
1	807020-000	1.75" EXHAUST ELBOW W/FLANGE	1

Gen End Adaptor

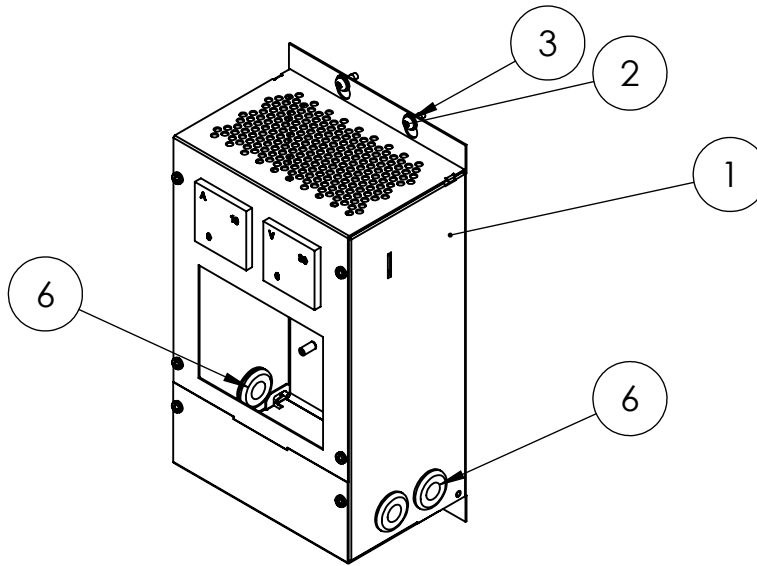


ITEM NO.	PartNo	DESCRIPTION	QTY.
1	352308-100	TERMINAL BOX	1
2	352308-101	TERMINAL BOX FRONT	1
3	352308-102	AVR BOX	1
4	352308-105	TERMINAL BOX COVER	1
5	21698-001	TORX PAN HEAD SCREW #10	13
6	16248-000	.25-20 FLANGE NUT	4
7	352120-1	1/4-20 X .500 FHCS	4
8	62173-001	SELF TAP.SC. 5/16-18X.75	2

Battery Chargers

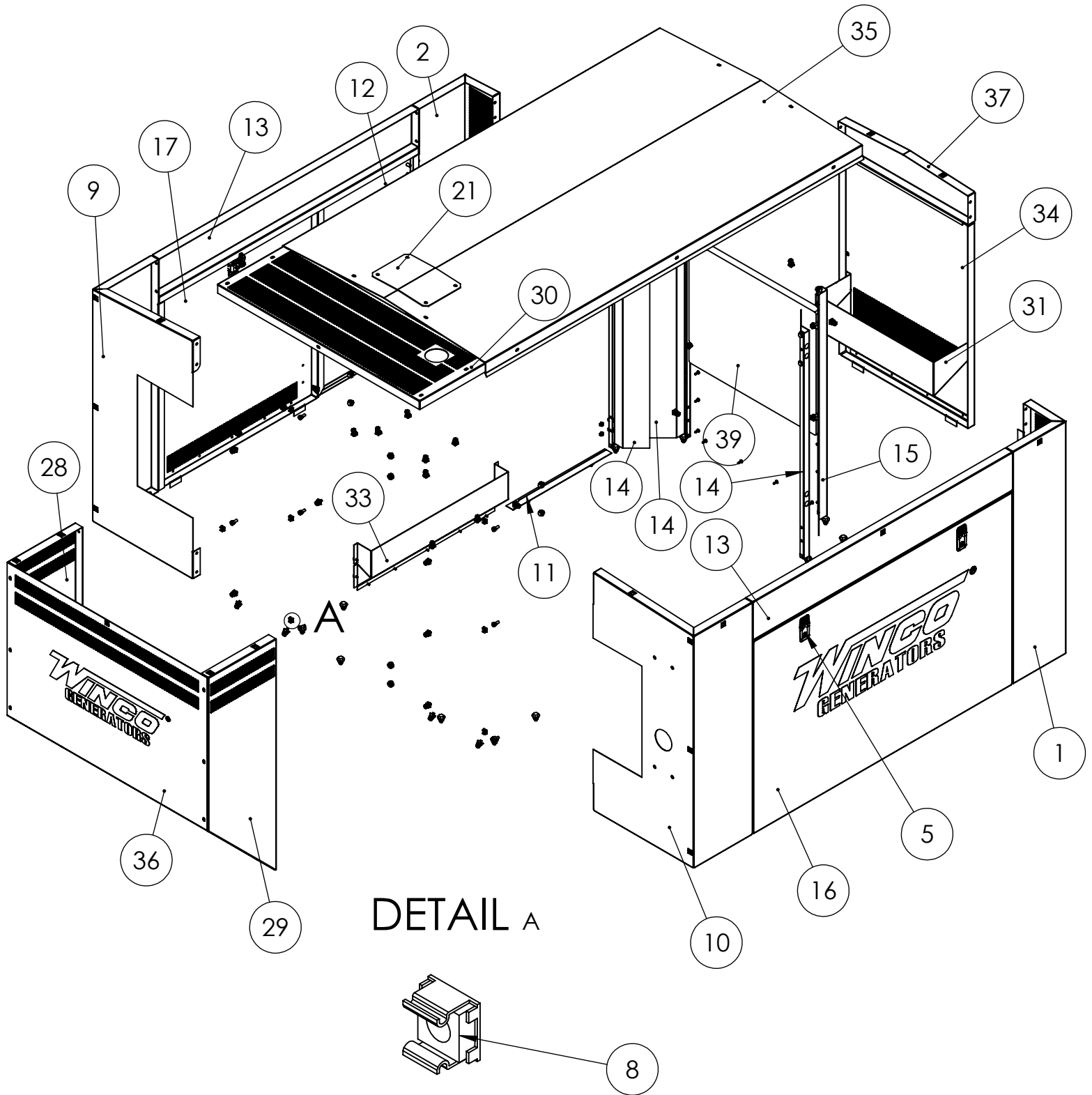


ITEM NO.	PartNo	DESCRIPTION	QTY.
1	72036-023	BATTERY CHARGER, 120VAC/12VDC, 5.0 AMP, GUEST MODEL 2708A	1
2	64872-001	SOC.HCS 10-24 X 1 BLK	4
3	5315-000	NUT HEX 10-24 NYLON	4



ITEM NO.	PartNo	DESCRIPTION	QTY.
1	72036-020	BATTERY CHARGER, 12VDC, 10AMP, DSE MODEL DSE9461-02 LCD AND METERS NFPA 110	1
2	21698-001	TORX PAN HEAD SCREW #10	4
3	598-000	#10 WASHER	4
4	22034-000	TERMINAL RING 16-14AWG .3125 STUD	2
5	96922-001	PWR.SUP.CORD, 16/3, 8 FEET W/5- 15P PLUG	1
6	40730-000	GROMMET .5ID X .8125	3
7	2489-004	IN-LINE FUSE HOLDER	1
8	95064-006	FUSE AGC 10 AMP	1

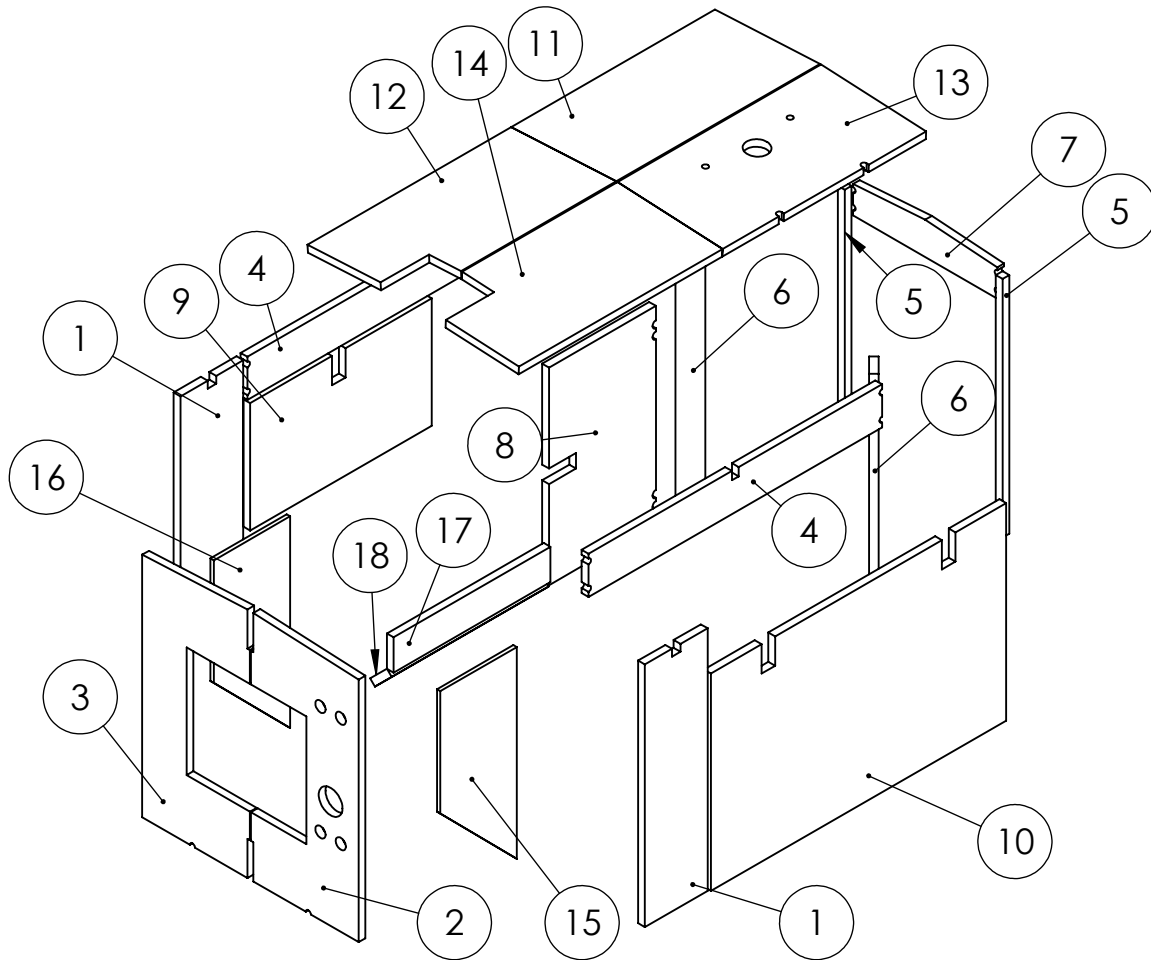
Housing



Housing Continued

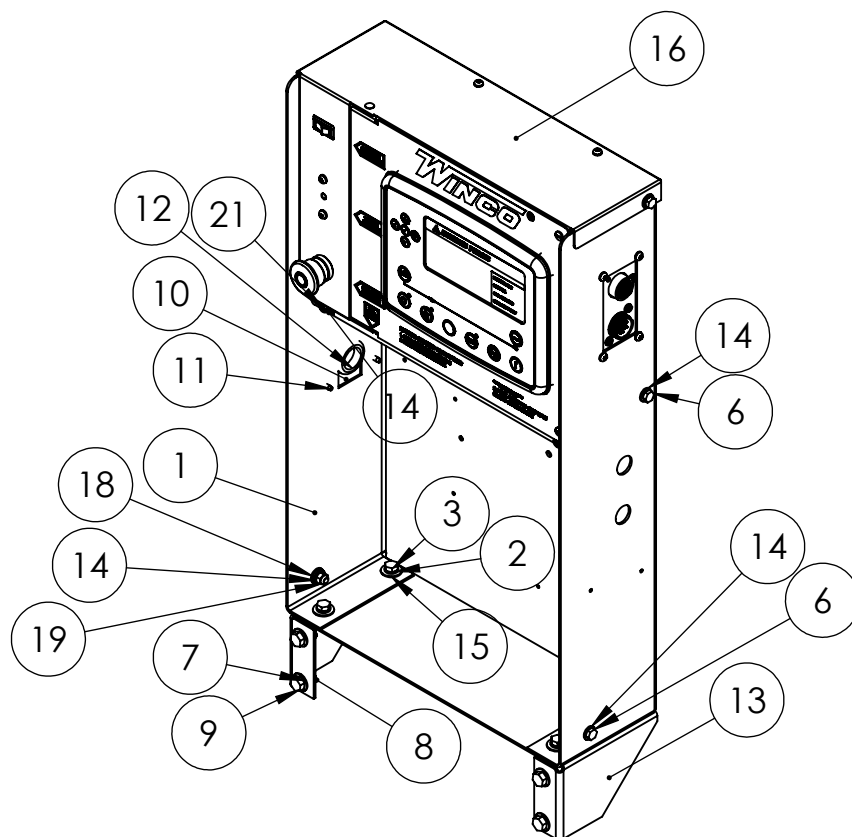
ITEM NO.	PartNo	DESCRIPTION	QTY.
1	352308-012	LEFT REAR CORNER	1
2	352308-011	RIGHT REAR CORNER	1
3	350054-5	HINGE BLACK	2
4	16446-000	M8-1.25 NYLOCK	8
5	95229-004	LATCH	4
6	16248-000	.25-20 FLANGE NUT	22
7	463-000	HEX BOLT .25-20X.50	16
8	92495-000	.25-20 TINNERMAN	37
9	352308-004	FRONT RIGHT CORNER	1
10	352308-005	FRONT LEFT CORNER	1
11	352308-009	DOOR STOP	1
12	352308-018	DOOR	1
13	352308-010	SIDE SILL	2
14	352308-015	REAR BAFFLE	3
15	352308-017	REAR LEFT BAFFLE	1
16	352308-007	LEFT SIDE PANEL	1
17	352308-006	RIGHT SIDE PANEL	1
18	65005-000	.25 WASHER SS	39
19	65003-000	SS LOCK WASHER ID.25 OD.475 TH.07	39
20	65000-001	.25-20X.75 SS HHCS	35
21	489020-002	RADIATOR FILL CAP DR20	1
22	94980-001	THREAD STUD .25-20X.625	6
23	526-000	5/16 FLAT WASHER	12
24	16249-000	.3125-18 FLANGE	14
25	467-000	.3125-18X.75 HHB	12
26	492020-100	FOAM KIT SPRINT UNIT	1
27	466-001	.25-20X 1.75 HHB	4
28	352308-002	FRONT RIGHT SNORKEL	1
29	352308-003	FRONT LEFT SNORKEL	1
30	352308-016	SNORKEL TOP	1
31	352308-019	REAR BOTTOM BAFFLE	1
32	21698-001	10-16X.372 TORX SCREW BLACK	19
33	352308-020	RIGHT DOOR BAFFLE	1
34	352308-062	REAR PANEL WITH BAFFLE	1
35	352308-063	ROOF	1
36	352308-064	SNORKEL FRONT	1
37	352308-065	REAR TOP	1
38	512-000	.25 WASHER	16
39	352303-61	REAR PANEL FOAM	1

Foam Kit



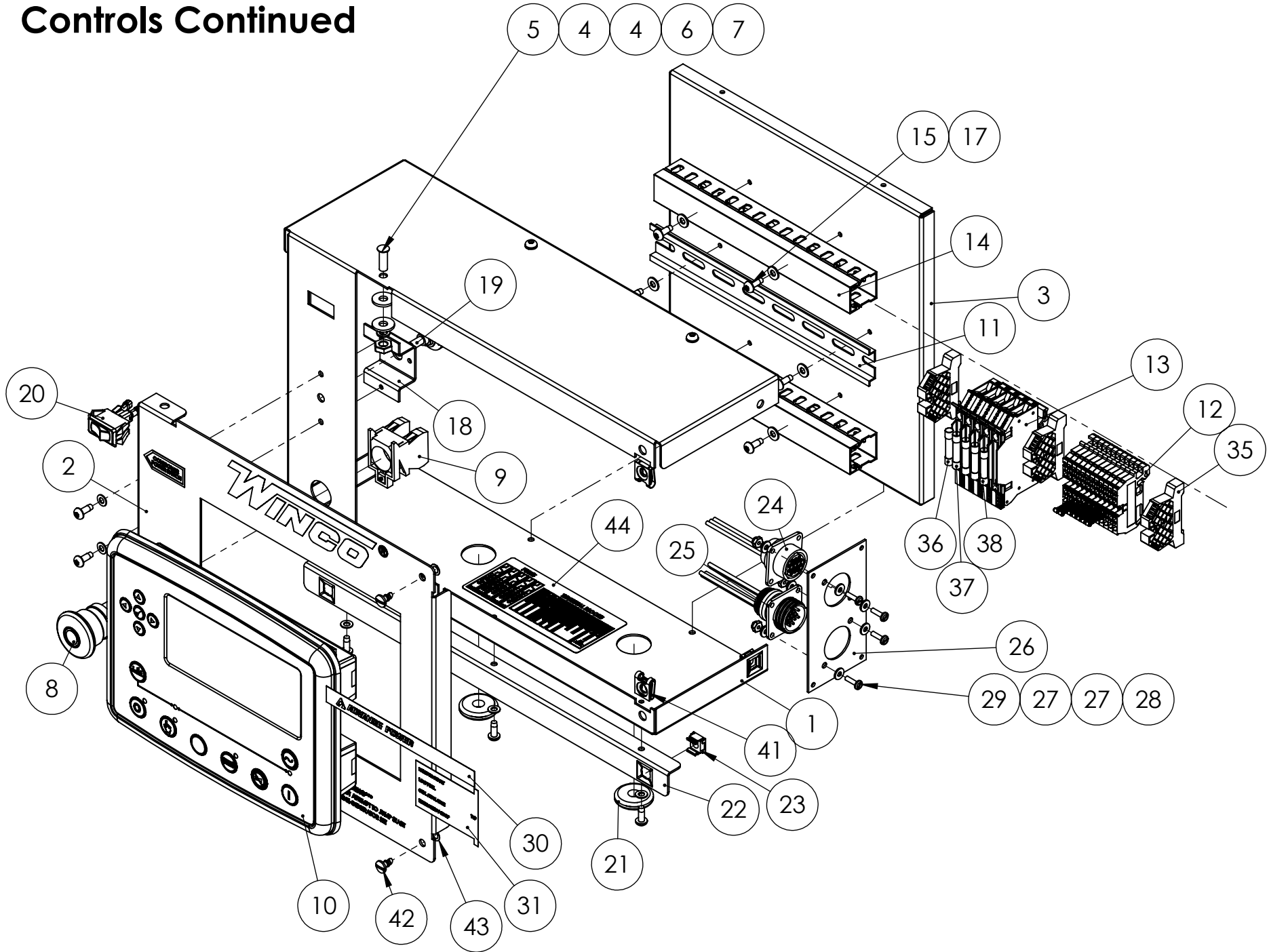
ITEM NO.	PartNo	DESCRIPTION	QTY.
1	352303-42	FRONT SIDE FOAM	2
2	352303-40	LEFT FRONT CORNER FOAM	1
3	352303-41	RIGHT FRONT CORNER FOAM	1
4	352303-43	SIDE SILL FOAM	2
5	352303-47	BAFFLE FOAM SMALL	2
6	352303-48	BAFFLE FOAM LARGE	2
7	352303-49	REAR TOP FOAM	1
8	352303-46	DOOR FOAM	1
9	352303-45	RIGHT PANEL FOAM	1
10	352303-44	LEFT PANEL FOAM	1
11	352303-53	RIGHT REAR ROOF FOAM	1
12	352303-51	RIGHT FRONT ROOF FOAM	1
13	352303-54	LEFT REAR ROOF FOAM	1
14	352303-52	LEFT FRONT ROOF FOAM	1
15	352303-55	SNORKEL LEFT FOAM	1
16	352303-56	SNORKEL RIGHT FOAM	1
17	352303-57	RIGHT DOOR BAFFLE FOAM	1
18	352303-58	RIGHT DOOR BOTTOM BAFFLE FOAM	1

Controls



ITEM NO.	PartNo	DESCRIPTION	QTY.
1	352290-3	CONTROL PEDISTAL MKII	1
2	65003-001	LOCKWASHER 5/16 SPLIT SS	4
3	465-000	.3125-18X.875 HHB	4
4	16249-000	.3125-18 FLANGE	4
5	479-000	LOCK WASHER, .25" SPLIT	6
6	466-000	.25-20X.75 HHB	6
7	65005-002	.375 FLATWASHER SS	4
8	16250-000	.375-16 FLANGE NUT	4
9	65002-000	.375-16X.75 HHB SS	4
10	352306-42	BATTERY PLUG COVER	1
11	21698-001	TORX PAN HEAD SCREW #10	6
12	62486-000	GROMMET 1 X 1.375	1
13	352290-2	PEDISTAL MOUNT	1
14	512-000	.25 WASHER	10
15	526-000	5/16 FLAT WASHER	4
16	351891-45	DSE 7310 ENGINE CONTROL UNIT	1
17	352291-1	PEDESTAL COVER	1
18	96286-001	1/4" NYLON WASHER	2
19	47517-000	.25-20 NYLOCK	2
20	92495-002	1/4-20 TINNERMAN (12 GA)	2
21	21253-000	RHMS 1/4-20X .75	2
22	96286-002	FLAT WASHER NYLON	4

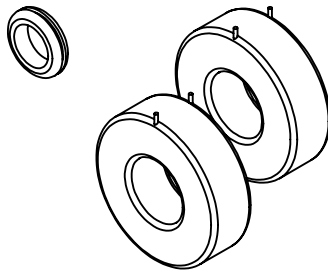
Controls Continued



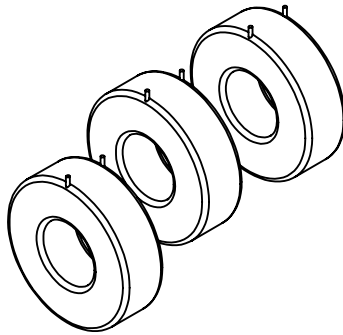
Controls Continued

ITEM NO.	PartNo	DESCRIPTION	QTY.
1	351900-39	CONTROL BOX MAIN BASE DR	1
2	351900-40	DSE 7310 MKII CONTROL PANEL WITH SILK SCREEN FOR DR	1
3	351900-34	CONTROL BOX DIN RAIL MOUNTING PLATE	1
4	96286-001	1/4" NYLON WASHER	4
5	94980-003	THREAD STUD .25-20 X .750	2
6	479-000	LOCK WASHER, .25" SPLIT	2
7	638-000	HEX NUT, .25IN	2
8	99783-001	SWITCH, PUSH-PULL	1
9	99783-002	SWITCH CONTACT	1
10	351112-29	DEEP SEA ELECTRONICS 7310 MKII	1
11	64551-005	DIN RAIL 9.5"	1
12	80623-009	TERMINAL BLOCK, DIN MOUNTED, SPRING CAGE	12
13	2489-003	FUSE HOLDER, DIN MOUNTED	5
14	352017-001	WIRE DUCT, 8.5IN	2
15	21698-001	TORX PAN HEAD SCREW #10	15
16	96286-002	FLAT WASHER NYLON	9
17	598-000	#10 WASHER	6
18	351900-36	RHEOSTAT MOUNTING BRACKET	1
19	97517-001	REOSTAT	1
20	64089-000	SPST, ROCKER SWITCH	1
21	23917-002	GROMMET, .375ID X 1	2
22	351900-35	COVER SUPPORT BRACKET	1
23	92495-000	.25-20 TINNERMAN	4
24	96925-002	14 PIN CONNECTOR	1
25	96925-006	16 PIN CONNECTOR	1
26	351900-37	PLUG MOUNTING PLATE	1
27	425-000	#6 FLATWASHER	8
28	51802-000	NUT HEX #6-32 NYLOCK	4
29	24988-000	SCREW 6-32 X 1/2 BIND	4
30	16600-005	DSE MKII ADVANCE POWER LOGO INSERT	1
31	16601-006	DSE 7310 MKII LIGHT LEGEND CARD INSERT	1
32	48602-003	TERMINAL FEMALE 16-14 AWG .250 TAB	2
33	96924-001	TERMINAL, PIN, 18-16AWG	11
34	96923-001	TERMINAL, SOCKET, 18-16AWG	10
35	80623-010	END BLOCK, DIN MOUNTED	3
36	95064-006	FUSE AGC 10 AMP	1
37	95064-000	FUSE AGC 3 AMP	1
38	95064-008	FUSE AGC 2 AMP	3
39	96924-101	PLUG TERMINAL	5
40	96923-101	PLUG TERMINAL	4
41	91683-000	1/4 TURN CLIP NUT	2
42	91682-001	STUD 1/4 TURN SLOTTED	2
43	91684-000	RETAINER RING 1/4 TURN SPLIT RING	2
44	351095-16	DECAL, FUSES AND TERMINAL BLOCKS	1
45	80623-011	2-POLE TERMINAL BLOCK JUMPER	2
46	80623-012	3-POLE TERMINAL BLOCK JUMPER	1

CT Kits



ITEM NO.	PartNo	DESCRIPTION	QTY.
1	80124-004	CURRENT TRANSFORMER 150:5	2
2	62486-000	GROMMET 1 X 1.375	1

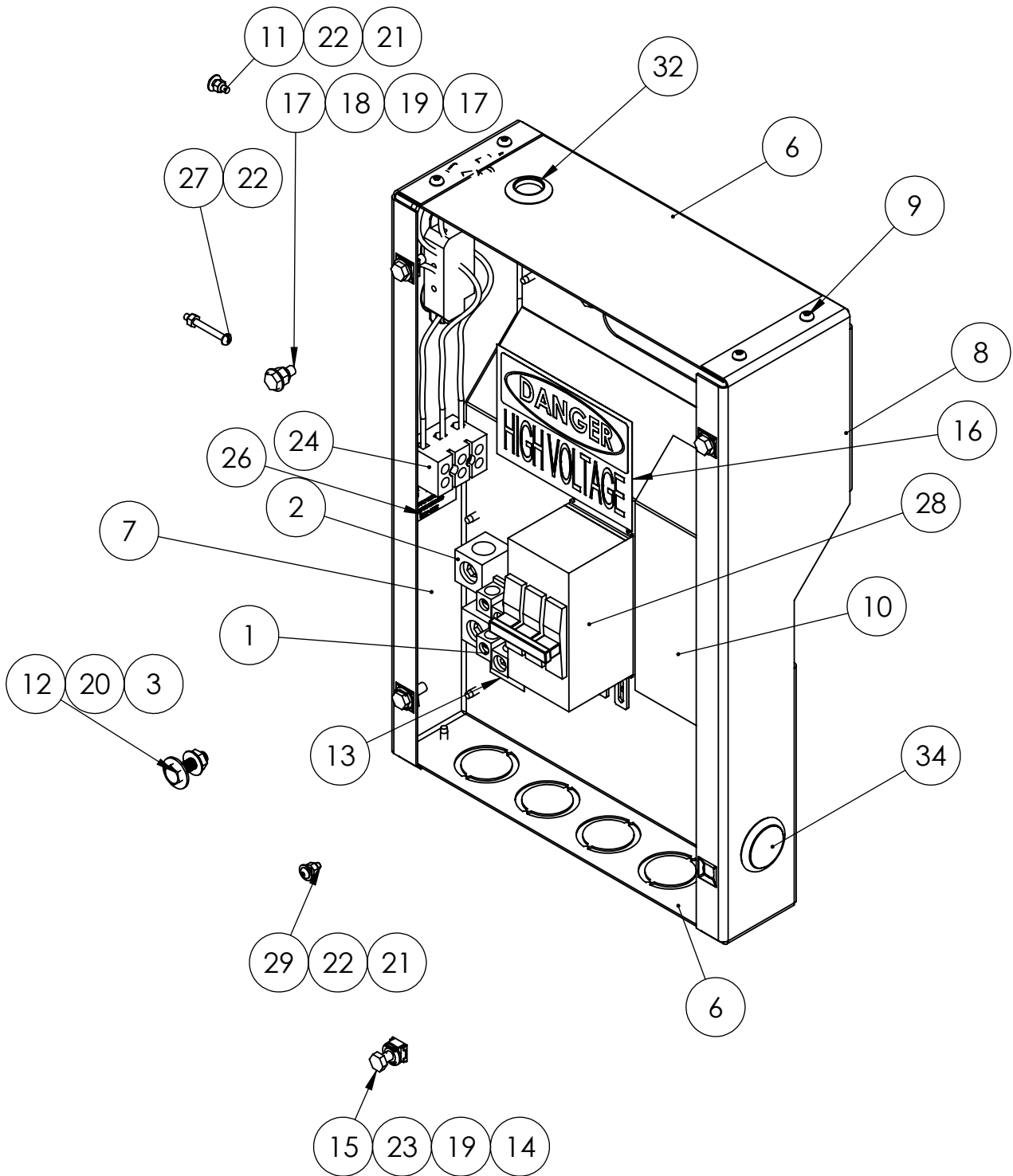


ITEM NO.	PartNo	DESCRIPTION	QTY.
1	80124-004	CURRENT TRANSFORMER 150:5	3
2	410020-005	3PH AC HARNESS MKII	1

CB Box DR2014-03 Continued

ITEM NO.	PartNo	DESCRIPTION	QTY.
1	350124-3	NEUTRAL ASSEMBLY 100 AMP	1
2	58805-005	CIR. BRK 90A-2PL-240V	1
3	58060-000	TERMINAL GROUND LUG	2
4	16249-000	.3125-18 FLANGE	1
5	24749-000	RECEPTACLE NEMA 5-15R DUPLEX	1
6	16501-000	DECAL-FLOATING NEUTRAL	1
7	352308-030	CB MAIN BOX	1
8	352308-033	CB RIGHT SIDE BOX	1
9	352308-032	CB LEFT SIDE BOX	1
10	21698-001	TORX PAN HEAD SCREW #10	16
11	352308-034	AVR COVER	1
12	94000-000	RHMS 8-32X1/2	2
13	1116-000	.3125-18X1 HHB	1
14	16499-000	UL-DECAL-GROUNDING-WHITE	1
15	92495-000	.25-20 TINNEMAN	4
16	352308-031	CB COVER	1
17	466-000	.25-20X.75 HHB	6
18	91498-000	DECAL-DANGER HIGH VOLTAGE 3.5x5	1
19	476-000	.25-20X.625 HHB	2
20	512-000	.25 WASHER	6
21	526-000	5/16 FLAT WASHER	1
22	511-000	#8 FLATWASHER	4
23	95985-000	NUT HEX #8-32 NYLOK	4
24	479-000	LOCK WASHER, .25" SPLIT	4
25	51795-000	3 PT TERMINAL BLOCK	1
26	300538-23	HARNESS KIT	1
27	64576-006	DECAL-GFCI PROTECTED UTILITY	1
28	10846-000	RHMC 8-32 X 1.5	2
29	16248-000	.25-20 FLANGE NUT	4
30	598-000	#10 WASHER	4
31	62486-000	GROMMET 1 X 1.375	1
32	15102-001	HOLE PLUG 7/8 POLY	1
33	93402-003	HOLE PLUG 1" DIA.	1

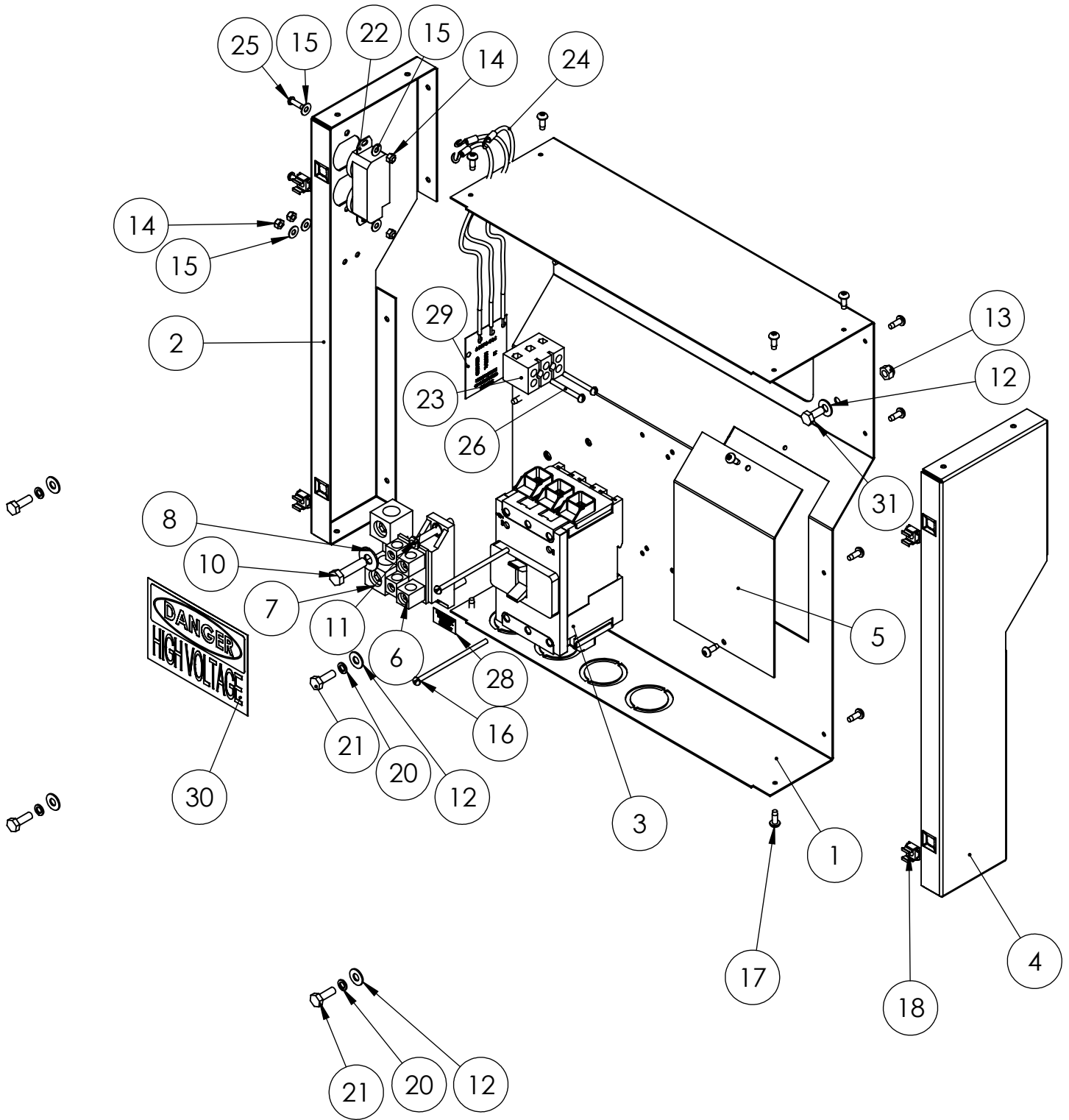
CB Box DR2014-04 &-17



CB Box DR2014-04 &-17 Continued

ITEM NO.	PartNo	DESCRIPTION	QTY.
1	350124-3	NEUTRAL ASSEMBLY 100 AMP	1
2	58060-000	TERMINAL GROUND LUG	2
3	16249-000	.3125-18 FLANGE	1
4	24749-000	RECEPTACLE NEMA 5-15R DUPLEX	1
5	16501-000	DECAL-FLOATING NEUTRAL	1
6	352308-030	CB MAIN BOX	1
7	352308-033	CB RIGHT SIDE BOX	1
8	352308-032	CB LEFT SIDE BOX	1
9	21698-001	TORX PAN HEAD SCREW #10	16
10	352308-034	AVR COVER	1
11	94000-000	RHMS 8-32X1/2	2
12	1116-000	.3125-18X1 HHB	1
13	16499-000	UL-DECAL-GROUNDING-WHITE	1
14	92495-000	.25-20 TINNEMAN	4
15	466-000	.25-20X.75 HHB	4
16	91498-000	DECAL-DANGER HIGH VOLTAGE 3.5x5	1
17	476-000	.25-20X.625 HHB	4
18	47517-000	.25-20 NYLOCK	6
19	512-000	.25 WASHER	8
20	526-000	5/16 FLAT WASHER	1
21	511-000	#8 FLATWASHER	6
22	95985-000	NUT HEX #8-32 NYLOK	8
23	479-000	LOCK WASHER, .25" SPLIT	4
24	51795-000	3 PT TERMINAL BLOCK	1
25	300538-23	HARNESS KIT	1
26	64576-006	DECAL-GFCI PROTECTED UTILITY	1
27	10846-000	RHMC 8-32 X 1.5	2
28	82584-001	CIR.BRK.70A-3PL-240V	1
29	64858-013	8-32 X 1/2" BUTTON HEAD CAP SCREW	4
30	352308-035	CB COVER	1
31	21253-000	RHMS 1/4-20X .75	2
32	15102-001	HOLE PLUG 7/8 POLY	1
33	62486-000	GROMMET 1 X 1.375	1
34	93402-003	HOLE PLUG 1" DIA.	1

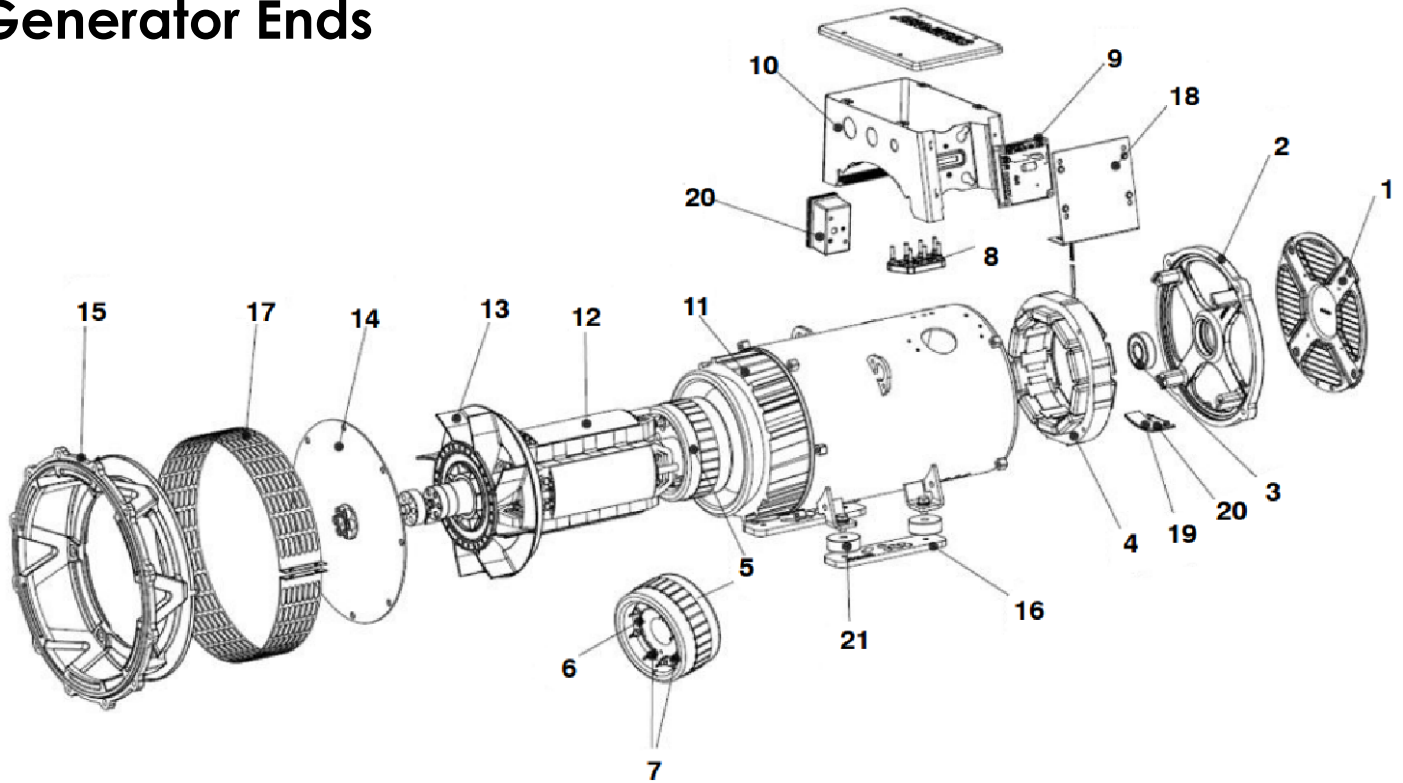
CB Box DR2014-18



CB Box DR2014-18 Continued

ITEM NO.	PartNo	DESCRIPTION	QTY.
1	352308-066	CB MAIN BOX DR20-L	1
2	352308-067	CB RIGHT SIDE BOX -L	1
3	81097-062	CIR.BRK. 30A-3PL-480V BDL36030	1
4	352308-068	CB LEFT SIDE BOX -L	1
5	352308-034	AVR COVER	1
6	350124-3	NEUTRAL ASSEMBLY 100 AMP	1
7	58060-000	TERMINAL GROUND LUG	2
8	526-000	5/16 FLAT WASHER	2
9	47136-000	HEX NUT .3125-18 NYLOK	1
10	580-000	5/16-18X1.25	1
11	487-000	RHMS 1/4-20X 1.25	2
12	512-000	.25 WASHER	10
13	47517-000	.25-20 NYLOCK	6
14	95985-000	NUT HEX #8-32 NYLOK	6
15	511-000	#8 FLATWASHER	8
16	92009-000	RHMS 8-32X3.5	2
17	21698-001	TORX PAN HEAD SCREW #10	16
18	92495-000	.25-20 16GA TINNEMAN NUT	4
19	352308-162	CB COVER DR20-L	1
20	479-000	LOCK WASHER, .25" SPLIT	4
21	466-000	.25-20X.75 HHB	4
22	24749-000	RECEPTACLE NEMA 5-15R DUPLEX	1
23	51795-000	3 PT TERMINAL BLOCK	1
24	300538-23	HARNESS KIT	1
25	94000-000	RHMS 8-32X1/2	2
26	10846-000	RHMC 8-32 X 1.5	2
27	16499-000	UL-DECAL-GROUNDING-WHITE	1
28	16501-000	DECAL-FLOATING NEUTRAL	1
29	64576-006	DECAL-GFCI PROTECTED UTILITY	1
30	91498-000	DECAL-DANGER HIGH VOLTAGE 3.5x5	1
31	476-000	.25-20X.625 HHB	4

Generator Ends

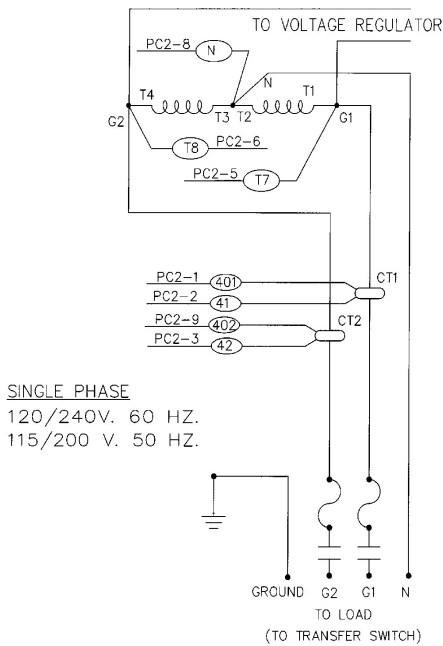


ITEM	DESCRIPTION	DR2014-03	DR2014-04, 17, 18	QTY
-	COMPLETE GENERATOR END	350023-7	350023-8	1
-	STAMFORD MODEL	SOL2-M1		-
-	WINDING	706	711	1
6	KIT, RECTIFIER, F1	8-107		1
7	KIT, DIODE REPAIR	8-108		1
9	AVR AS540	8-101		1
For additional parts support contact WINCO service.				

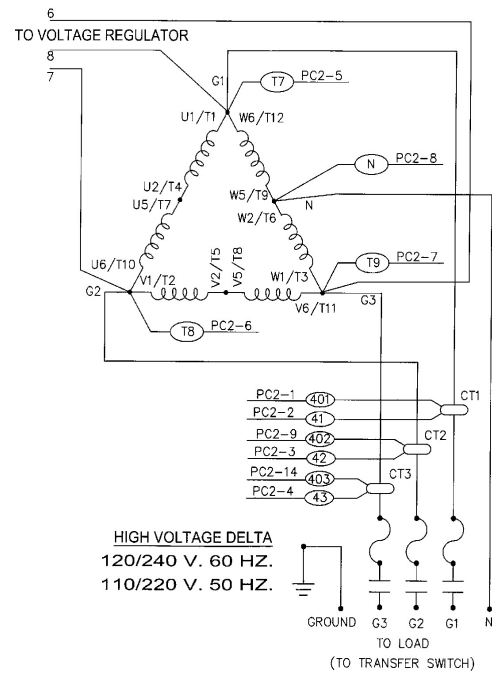
EXPECTED RESISTANCE (Ω) @ 22C		
MODEL	SOL1 M1 706	SOL2-M1 711
STATOR WINDING (PER PHASE SERIES CONNECTED)	0.097	0.290
ROTOR WINDING	0.747	
EXCITER STATOR	15.420	
EXCITER ROTOR (PER PHASE)	0.106	
POSSITIVE SEQUENCE (R1)	0.121	0.362
NEGATIVE SEQUENCE (R2)	0.139	0.417
ZERO SEQUENCE (R0)	0.121	0.362
AUX WINDING	2.570	5.160

Generator Connections

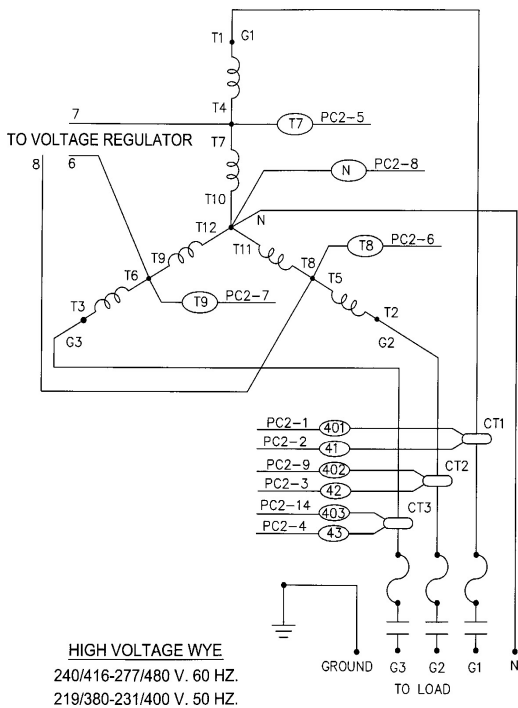
SINGLE PHASE 120/240 VOLTS



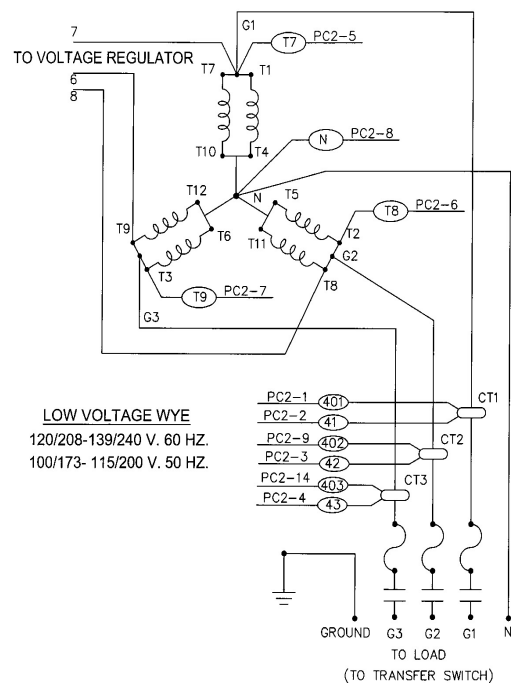
THREE PHASE -DELTA 120/240 VOLTS



THREE PHASE-HIGH WYE 277/480 VOLTS



THREE PHASE-LOW WYE 120/208 VOLTS



Engine Wiring Schematic

