

PARTS LIST

FM12V4-C

FM12V4-D

FM12V4-J

<u>FIND NO.</u>	<u>PART NO.</u>	<u>DESCRIPTION</u>	<u>REQ'D/UNIT</u>
1	G-4776-3	Field Frame Assy (FM12V4-C)	1
1	G-4776-3	Field Frame Assy (FM12V4-D)	1
1	G-4776-7	Field Frame Assy (FM12V4-J)	1
2	G-4775-3	Field Frame	1
3	G-4777	Field Pole Assy	4
4	J-528	Coil Shield	8
5	H-984-1	Field Coil (FM12V4-C&D) Set of	4
5	H-1050-1	Field Coil (FM12V4-J) Set of	4
6	S-859	Lift Eye	1
7	G-5941	Base Assy	1
8	G-4766-35	Armature Assy (FM12V4-C)	1
8	G-4766-37	Armature Assy (FM12V4-D)	1
8	G-4766-50	Armature Assy (FM12V4-J)	1
9	I-861	Fan	1
10	D-3	Bearing Drive End	1
11	11115	Retainer Ring	1
12	D-8	Bearing	1
13	I-686-3	Drive End Bell	1
14	G-5459	Brush Gear Assy	1
15	Y-51	Brush	8
16	G-3422	Brush Spring	8
17	4996	Tinnerman	8
18	W-43	Bearing Retainer	1
19	S-6927	Panel Top	1
20	S-5851-2	Panel Front	1
21	G-5456-13	Panel Back Assy (FM12V4-C)	1
21	G-5456-16	Panel Back Assy (FM12V4-D)	1
21	G-5456-43	Panel Back Assy (FM12V4-J)	1

Wiring Diagram (FM12V4-C)	C-5865
Wiring Diagram (FM12V4-D)	E-7093
Wiring Diagram (FM12V4-J)	E-7896
Parts Drawing	E-8578

PARTS LIST
 PANEL BACK ASSEMBLY
 G-5456-13

PL-01041

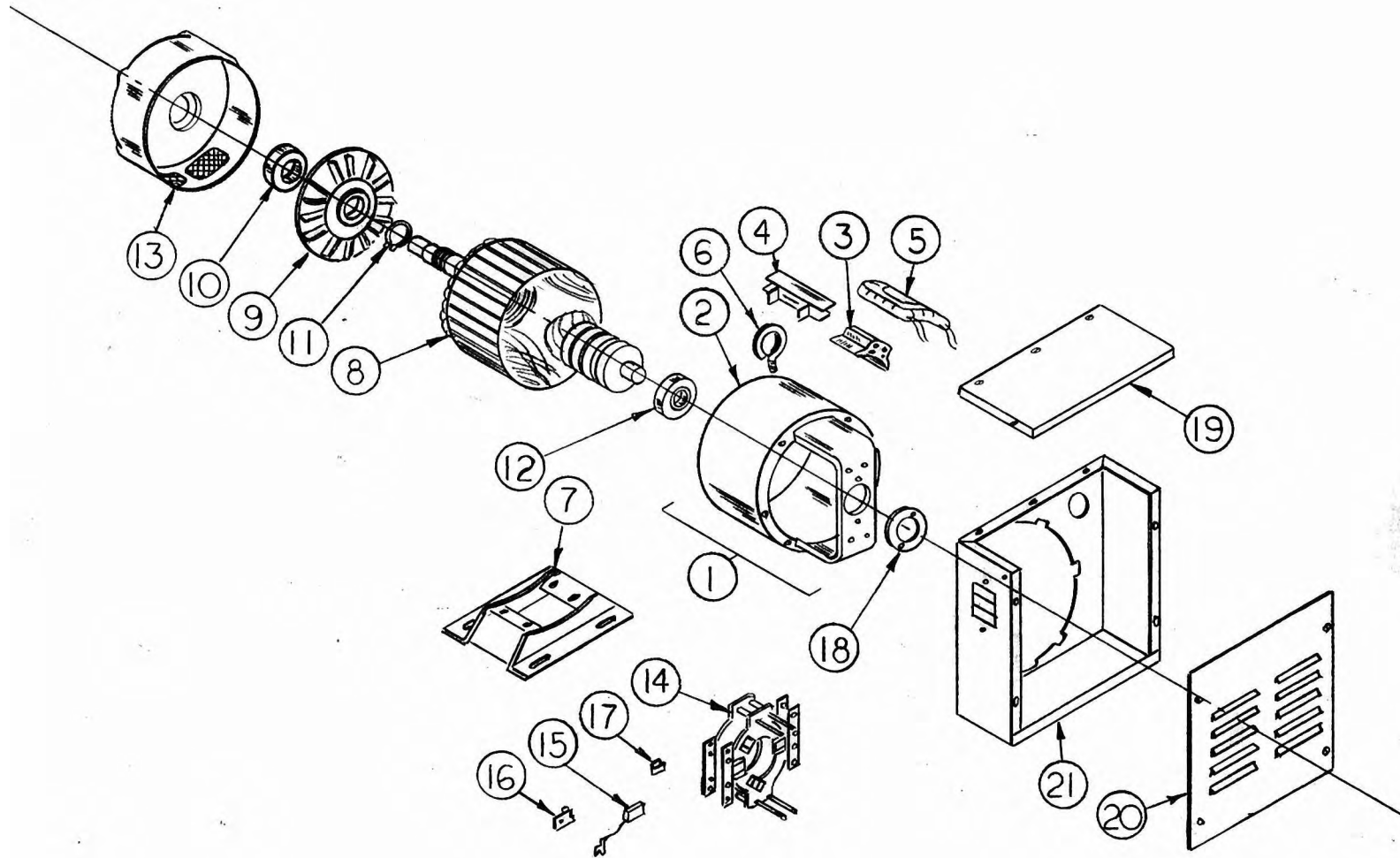
<u>FIND NO.</u>	<u>PART NO.</u>	<u>DESCRIPTION</u>	<u>REQ'D/UNIT</u>
1	G-5838-3	Panel Back Assembly	1
2	EE-1960	Transformer	1
3	EE-2171-1	Rectifier Assembly	2
4	EE-2142	Thyrector	1
5	EE-654	Terminal Board	1
6	EE-654-2	Marker Strip	1
7	EE-779	Filler Plate	3
8	EE-1671	Lug	1
9	EE-658	Terminal Board	1
10	EE-658-1	Marker Strip	1
11	EE-1653	Lug	3
12	4957	Tinnerman	7
	Wiring Diagram	C-5865	
	Parts Drawing	E-8574	

PARTS LIST
 PANEL BACK ASSY
 G-5456-16

PL-01044

<u>FIND NO</u>	<u>PART NO.</u>	<u>DESCRIPTION</u>	<u>REQ/UNIT</u>
1	G-5838-3	Panel Back	1
2	EE-1960	Transformer	1
3	EE-2171-1	Rectifier Assy	2
4	EE-2142	Thyrector	1
5	EE-654	Terminal Board	1
6	EE-654-2	Marker Strip	1
7	EE-779	Filler Plate	3
8	EE-1671	Lug	1
9	EE-658	Terminal Board	1
10	EE-658-1	Insulator	1
11	EE-1653	Lug	3
12	4957	Tinnerman	7
	Wiring Diagram	E-7093	
	Parts Drawing	E-8574	

IE-8578

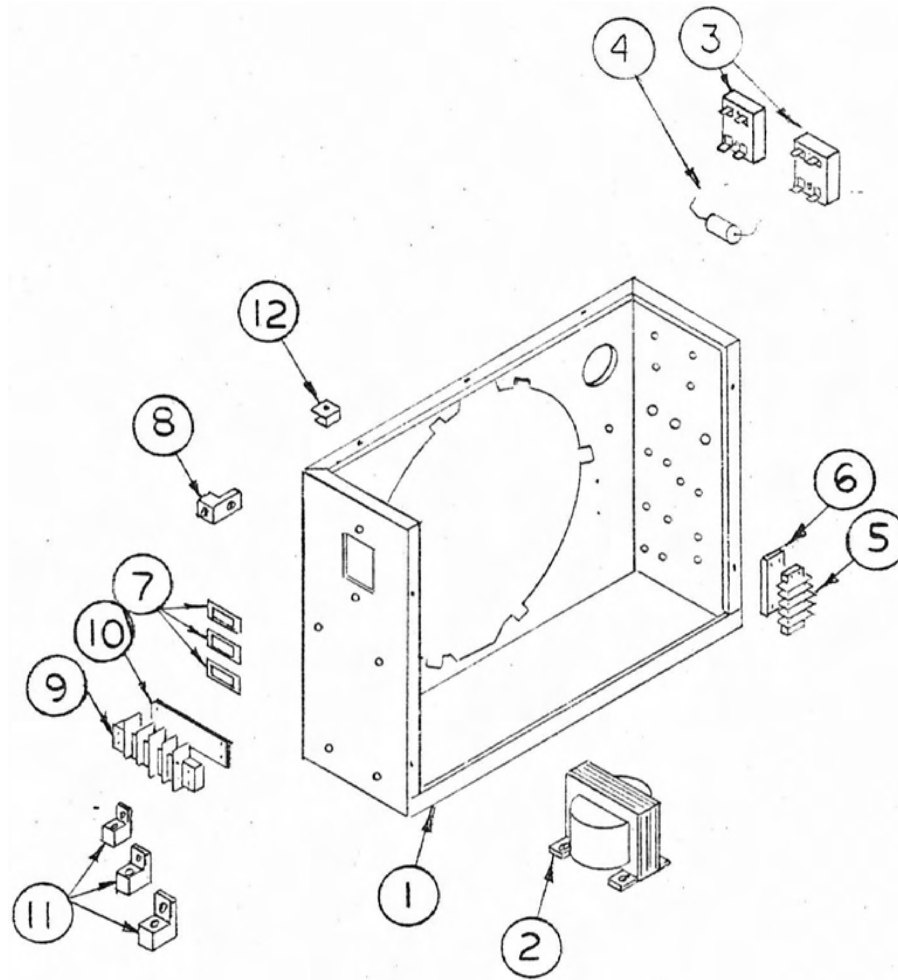


JUL 25 1972

JUN 27 1974

IE-8578

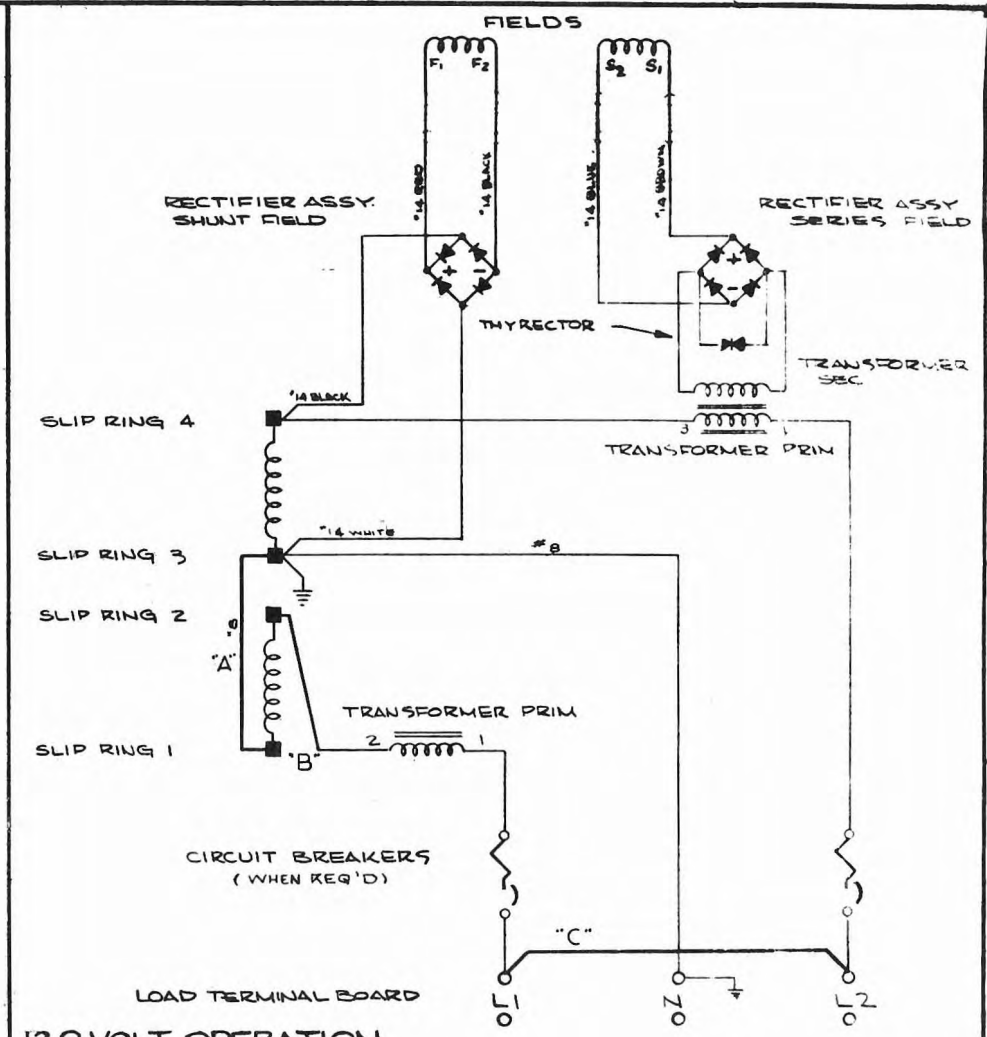
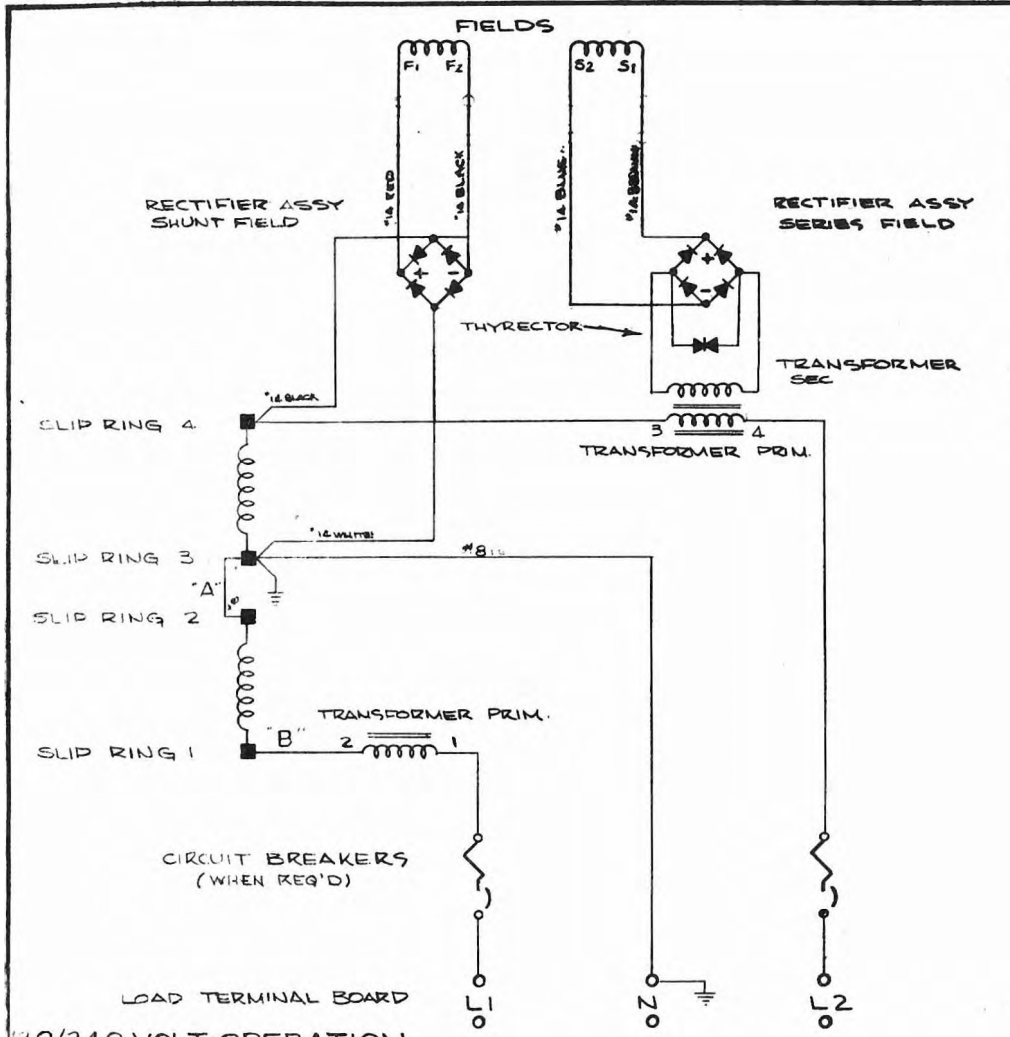
E-8574



JUN 27 1974

E-8574

C5865



120/240 VOLT OPERATION

120 VOLT OPERATION

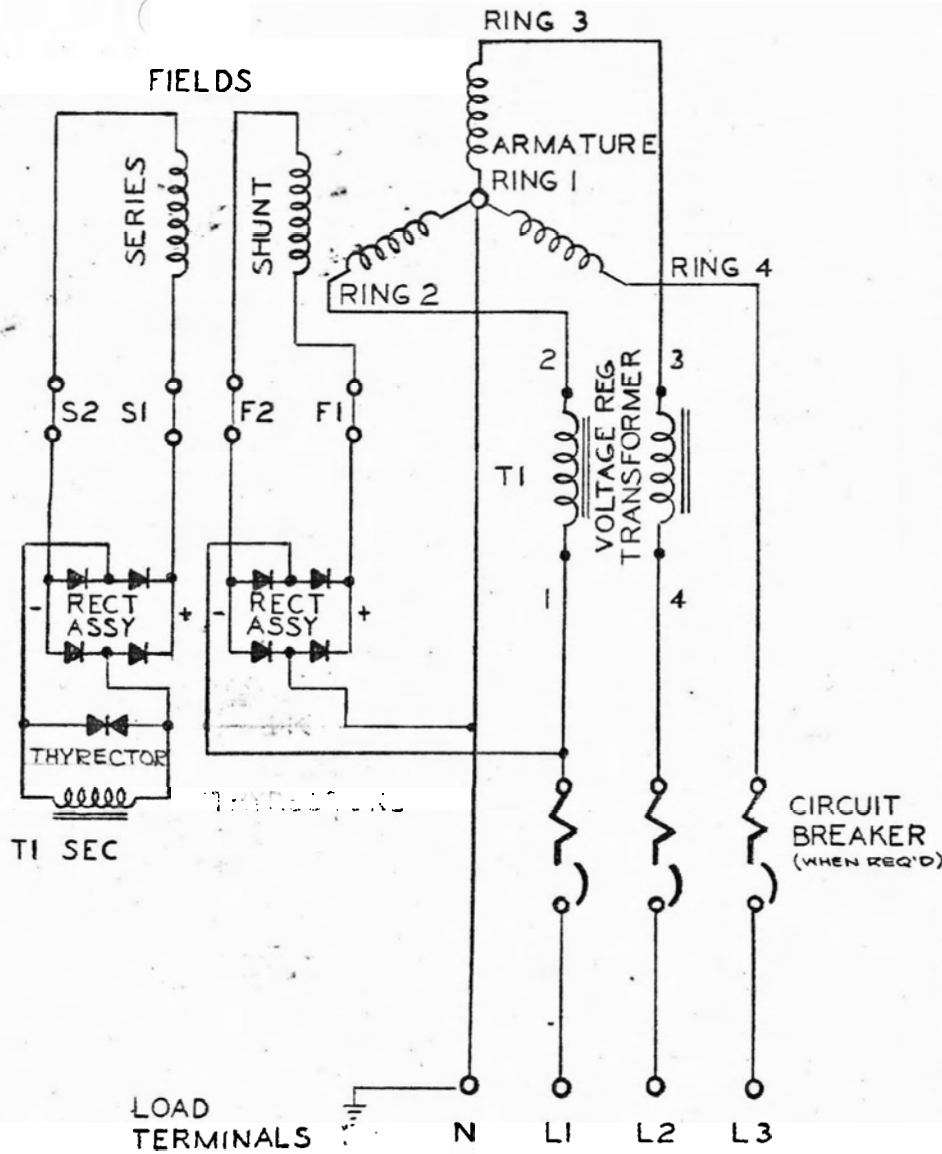
E	REVISED	9-18-74	T.C.G.	
D	REVISED	6-7-74	SF	719 678-74
C	ADDED	3-9-71	JFP	
B	REVISED	8-10-70	JFP	
A	ADDED	4/66	JFP	
CHANGE	WAS ORIGINALLY	DATE	CHK'D	CHG. REQUEST
TOLERANCE ON DIMENSIONS NOT OTHERWISE SPECIFIED		DECIMAL ±	FRACTIONAL ±	ANGULAR ±
REMOVE ALL BURRS		BREAK ALL SHARP MACHINED EDGES		
NO. REQ'D.		MICROFILM DATA		
MATERIAL		JUL 10 1970		

RECONNECTION INSTRUCTIONS:
 WHEN CHANGING FROM 120/240V TO 120V
 ONLY 3 CONNECTIONS ARE AFFECTED, THEY
 ARE LETTERED A, B, & C.
 JUMPER "C" - NOT USED ON 240V CONNECTIONS

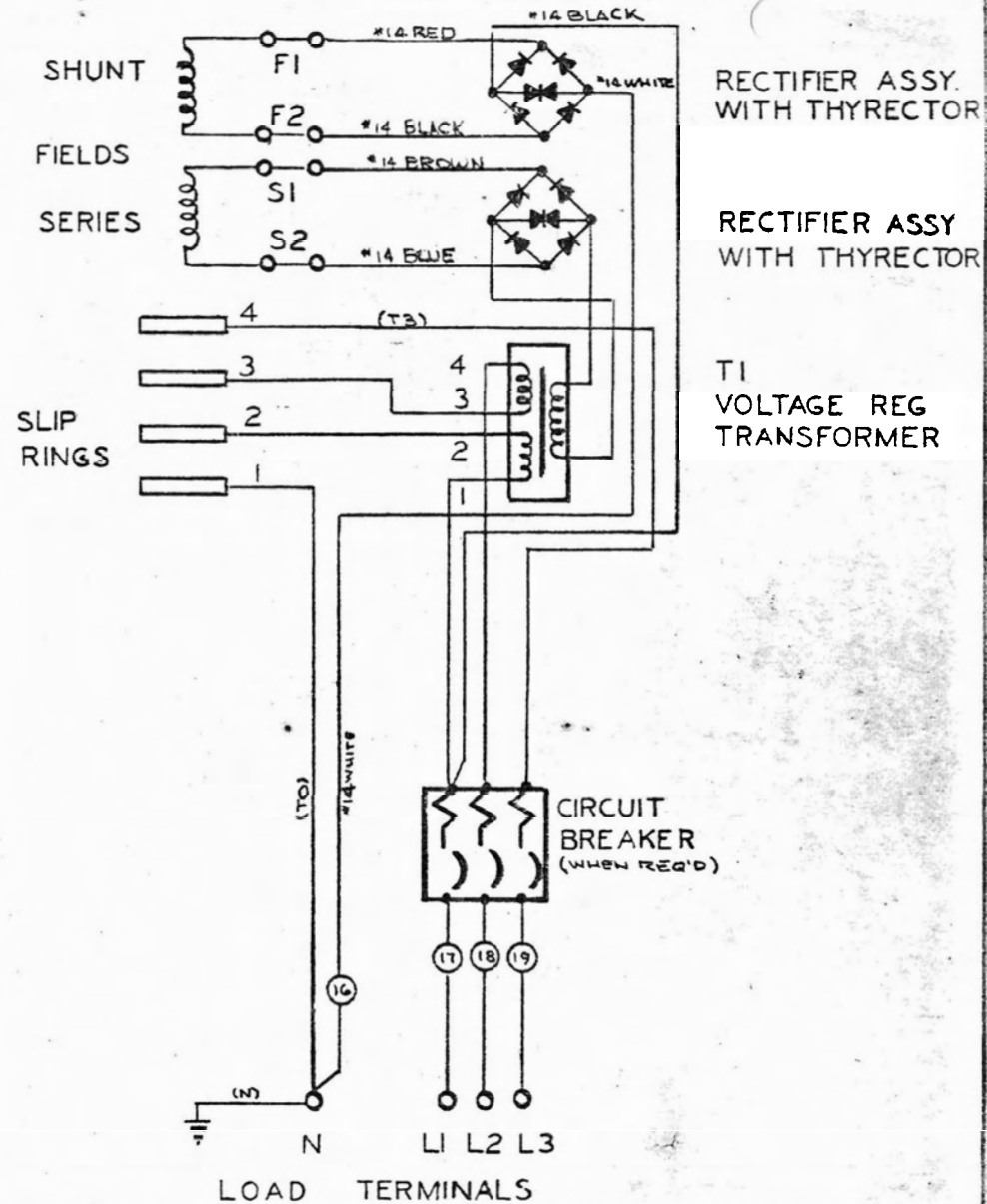
WIRING DIAGRAM	
SCALE ~	MODEL NO.
DATE 8-21-67	PART NO. Z-187B
DWN T.C.G.	CHK'D
WINPOWER MFG. CO. NEWTON, IOWA	

C5865

SCHEMATIC WIRING



PICTORIAL WIRING



CHANGE	WAS ORIGINALLY	DATE	CHK'D	CHG. REQUEST	NO. REQ'D.	MICROFILM DATA
C	REUSE	12-5-74	SF	T.C.G. 12-7-74		
B	CHANGED WIRE COLOR	8-28-74	SF	RLT		
A	REDRAWN NO CHANGE	1-10-68	T.C.G.			

TOLERANCE ON DIMENSIONS NOT OTHERWISE SPECIFIED	DECIMAL	±
	FRACTIONAL	±
	ANGULAR	±

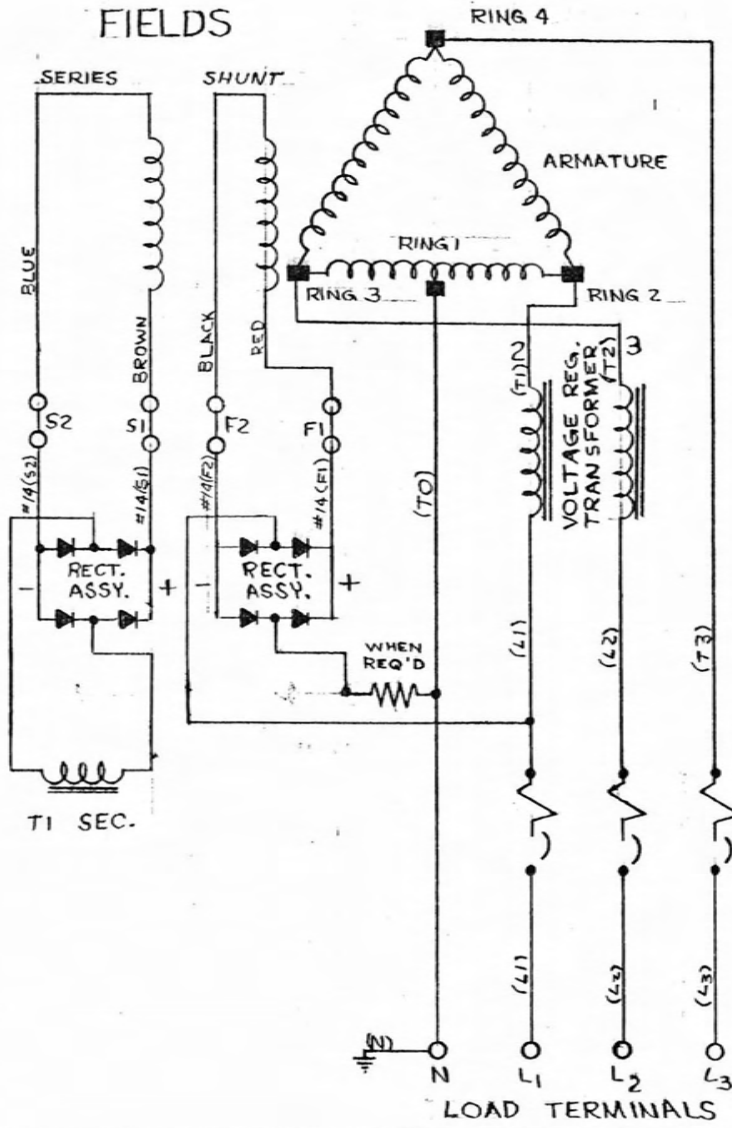
REMOVE ALL BURRS
BREAK ALL SHARP MACHINED EDGES

MATERIAL _____

WIRING DIAGRAM

SCALE _____	MODEL NO. _____
DATE 1-10-68	PART NO. Z-1917
DWN TCG	CHK'D _____

WINPOWER MFG. CO.
NEWTON, IOWA



IMPORTANT!

SINGLE PHASE LOADS MUST BE TAKEN FROM "N", "L1" & "L2"
 L1 To L2 = 240 VOLTS
 L1 To N = 120 VOLTS
 L2 To N = 120 VOLTS

DANGER!

VOLTAGE FROM "N" TO "L3" IS 190V.

Z-2033
 120/240 DELTA 3 PHASE

D	REVISE	12-5-74	SF	12-7-74 T.C.G.		
C	REDRAWN	8-20-74	SF	8-22-74 T.C.G.		111.25 1977
CHANGE	WAS ORIGINALLY	DATE	CHK'D	CHG. REQUEST		
TOLERANCE ON DIMENSIONS NOT OTHERWISE SPECIFIED				DECIMAL ± FRACTIONAL ± ANGULAR ±	REMOVE ALL BURRS BREAK ALL SHARP MACHINED EDGES	NO. REQ'D. _____ MICROFILM DATA _____
MATERIAL _____						

WIRING DIAGRAM

SCALE ~	MODEL NO. _____
DATE 8-20-74	PART NO. IE-7896
DWN SF	CHK'D _____

WINPOWER MFG. CO.
 NEWTON, IOWA