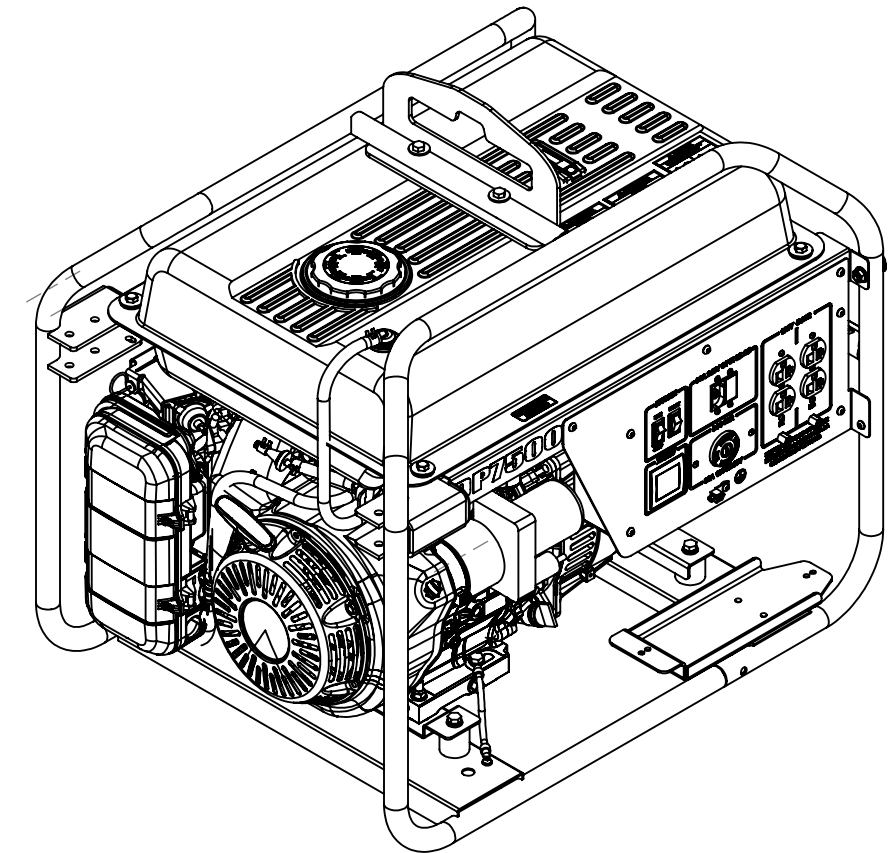


100-2006Z

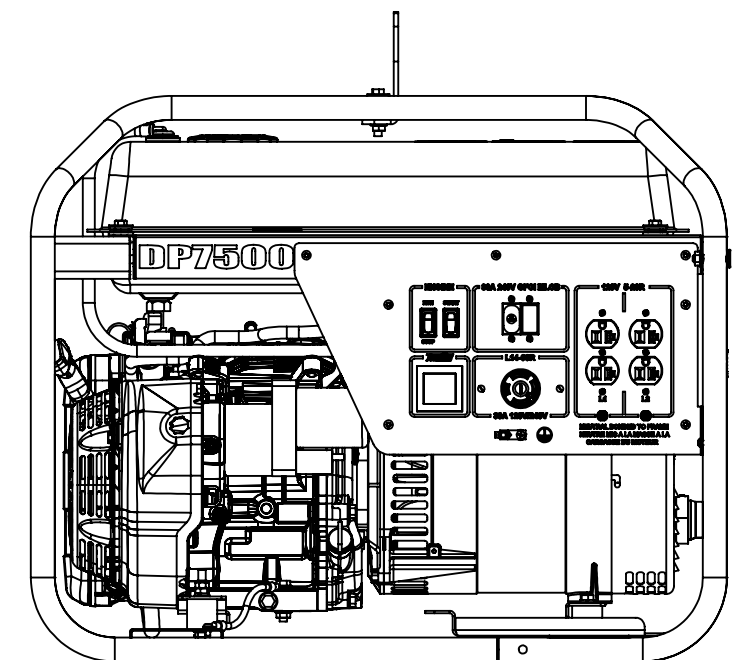
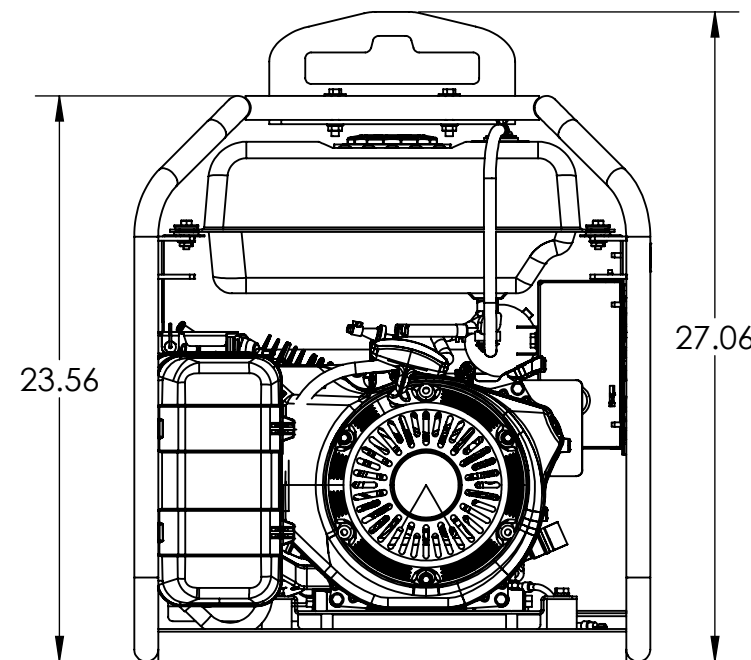
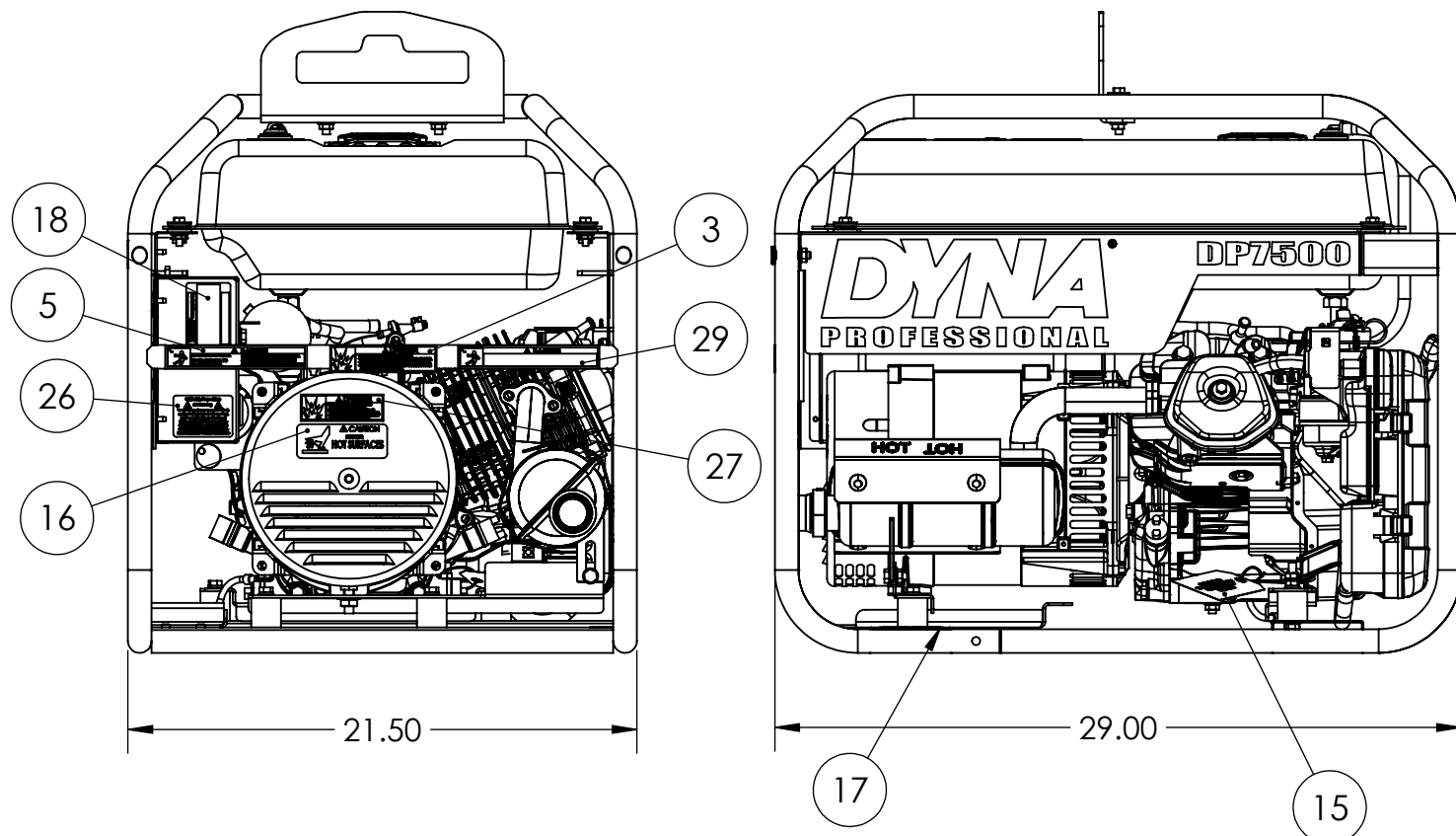
REVISIONS					
REV.	IRN	DESCRIPTION	DATE	BY	APP'D
A	P281	ORIGINAL	1/4/2018	SJM	DRD
B		ADDED 15209-036 & -100	1/3/2019	SJM	DRD

ITEM	PART NO.	DESCRIPTION	QTY.
1	100047-775	30 X 22 X 24 CARTON	1
2	100114-703	SKID	1
3	15209-001 *	GASOLINE DECAL	1
4	15209-002 *	DECAL-DANGER CARBON MONOXIDE	1
5	15209-003 *	UL-DECAL ELECTRICAL SHOCK CAN KILL	1
6	15209-013	DECAL - FUEL TYPE GASOLINE	1
7	15209-014	DECAL - CHECK OIL	1
8	15457-077	RECEPTACLE ASSEMBLY	1
9	16249-000	.3125-18 FLANGE	2
10	18000-042	CRADLE ASSEMBLY	1
11	21698-001	TORX PAN HEAD SCREW #10	1
12	23590-001	CURVED HEAD BOLT 5/16-18 X 1 1/2	2
13	300144-21	LIFTING EYE ASSEMBLY	1
14	300217-33	RIGHT SIDE RAIL	1
15	60710-018	OIL WARNING TAG	1

ITEM	PART NO.	DESCRIPTION	QTY.
16	63941-001	DECAL -HOT SURFACES	1
17	63941-012	DECAL-HOT SURFACES	1
18	63966-004	NAMEPLATE, WINCO PORTABLE	1
19	64024-006	FUEL SYSTEM INSTALLATION	1
20	64918-000	DECAL-DANGER (CO) USE OUTSIDE	1
21	82539-001	SELF TAP.SC.6X3/8	1
22	OPM-129	DP7500 OPERATORS MANUAL	1
23	439-000	.25-20 X 1 HHB	4
24	267-002	FLAT WSH 9/32X1X.063	4
25	16248-000	.25-20 FLANGE NUT	4
26	15209-036	PROP 65 WARNING DECAL	1
27	15209-101 **	DECAL, GASOLINE DANGER, FRENCH	1
28	15209-102 **	DECAL-DANGER CARBON MONOXIDE	1
29	15209-103 **	UL-DECAL ELECTRICAL SHOCK CAN KILL	1

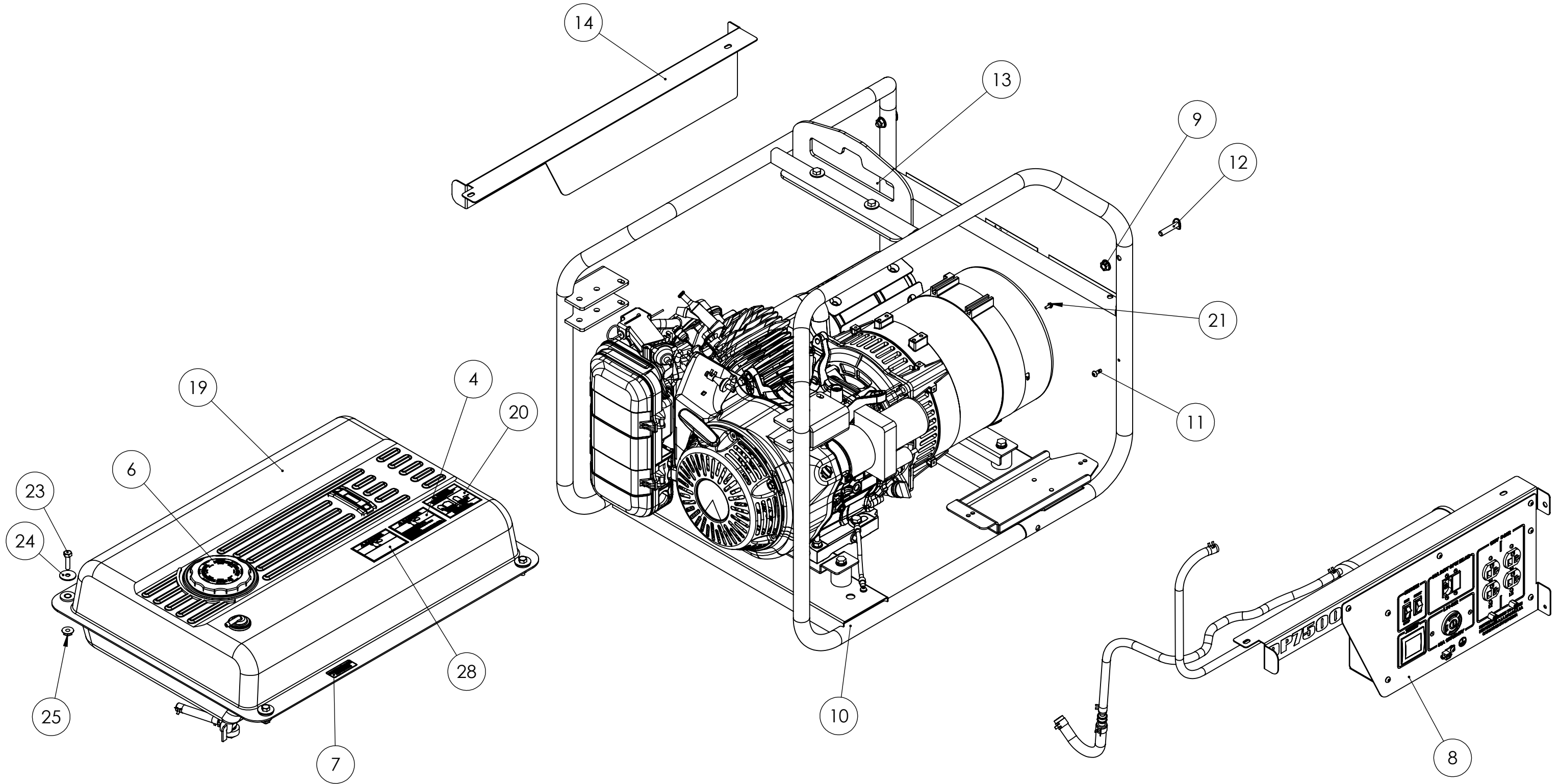


* PART OF DECAL KIT 15209-000
 ** PART OF DECAL KIT 15209-100





 THIS DRAWING CONTAINS PROPRIETARY INFORMATION BELONGING TO WINCO. UNAUTHORIZED USE IS PROHIBITED. ALL DIMENSIONS INCH	DRAWN BY	DATE	CHK'D BY	DATE	ENG APPR.	DATE
	SJM	1/4/2018			DRD	4/5/18
	TOLERANCE:	+/- 0.0625 DECIMAL		TITLE:		
	MODEL:	DYNA		DP7500/B		
			PART:	29007-001	1 of 2	

REVISIONS					
REV.	IRN	DESCRIPTION	DATE	BY	APP'D
-	-	See Sheet1	-	-	-



NOTES:
 1. ROUTE PURGE HOSE OVER THE TOP OF THE ENGINE & ZIP TIE IN PLACE

 THIS DRAWING CONTAINS PROPRIETARY INFORMATION BELONGING TO WINCO. UNAUTHORIZED USE IS PROHIBITED. ALL DIMENSIONS INCH	DRAWN BY	DATE	CHK'D BY	DATE	ENG APPR.	DATE
	SJM	1/4/2018			DRD	4/5/18
	TOLERANCE:	+/- 0.0625 DECIMAL		TITLE: DP7500/B		
	MODEL:	DYNA		PART: 29007-001		
			2 of 2			