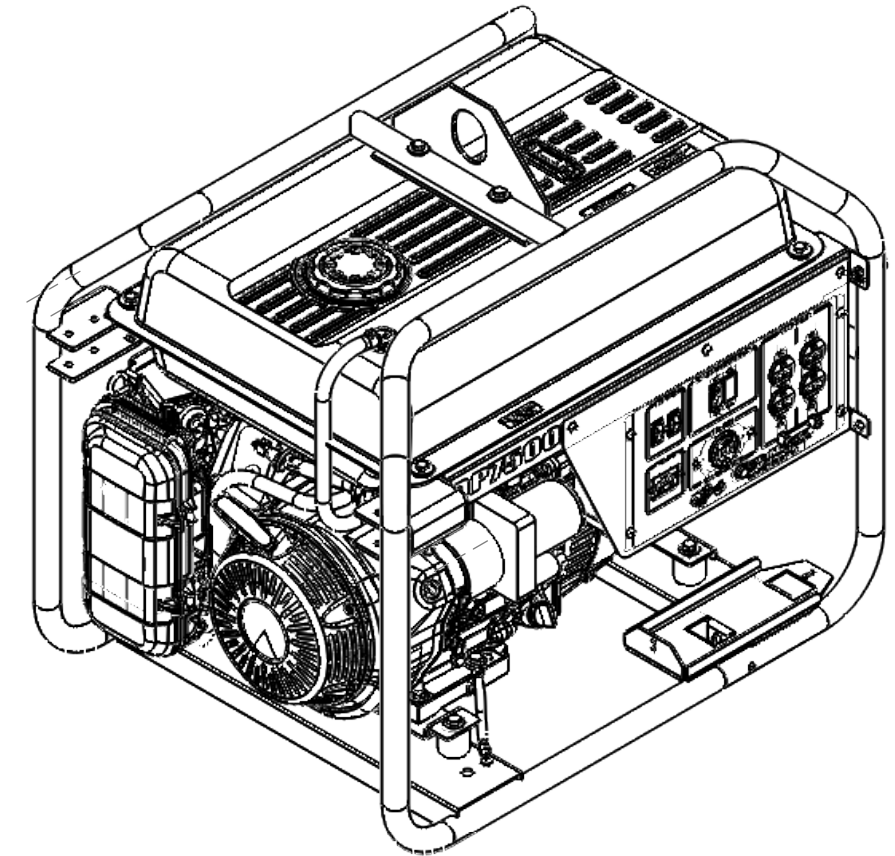


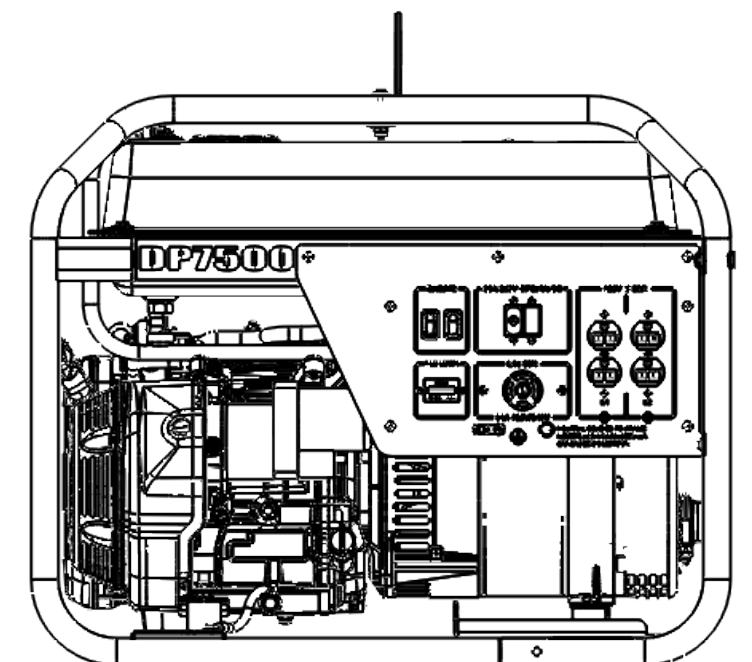
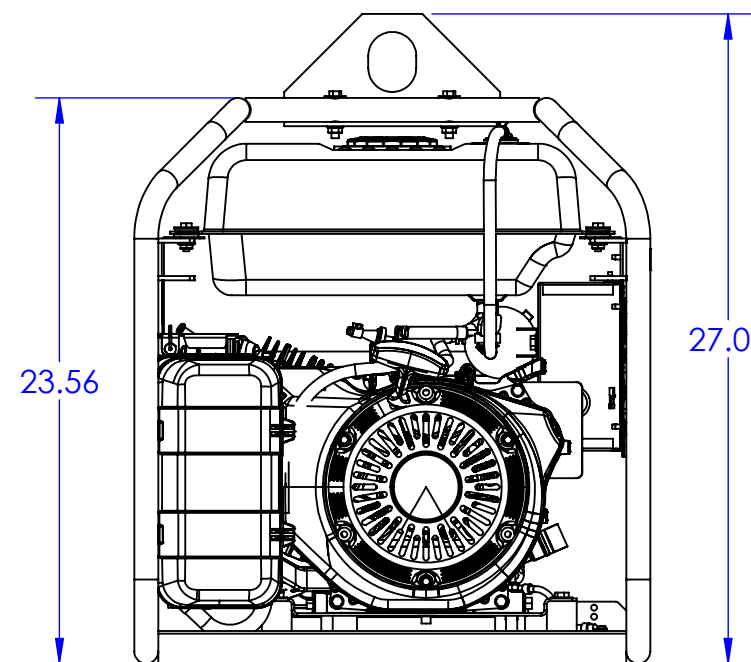
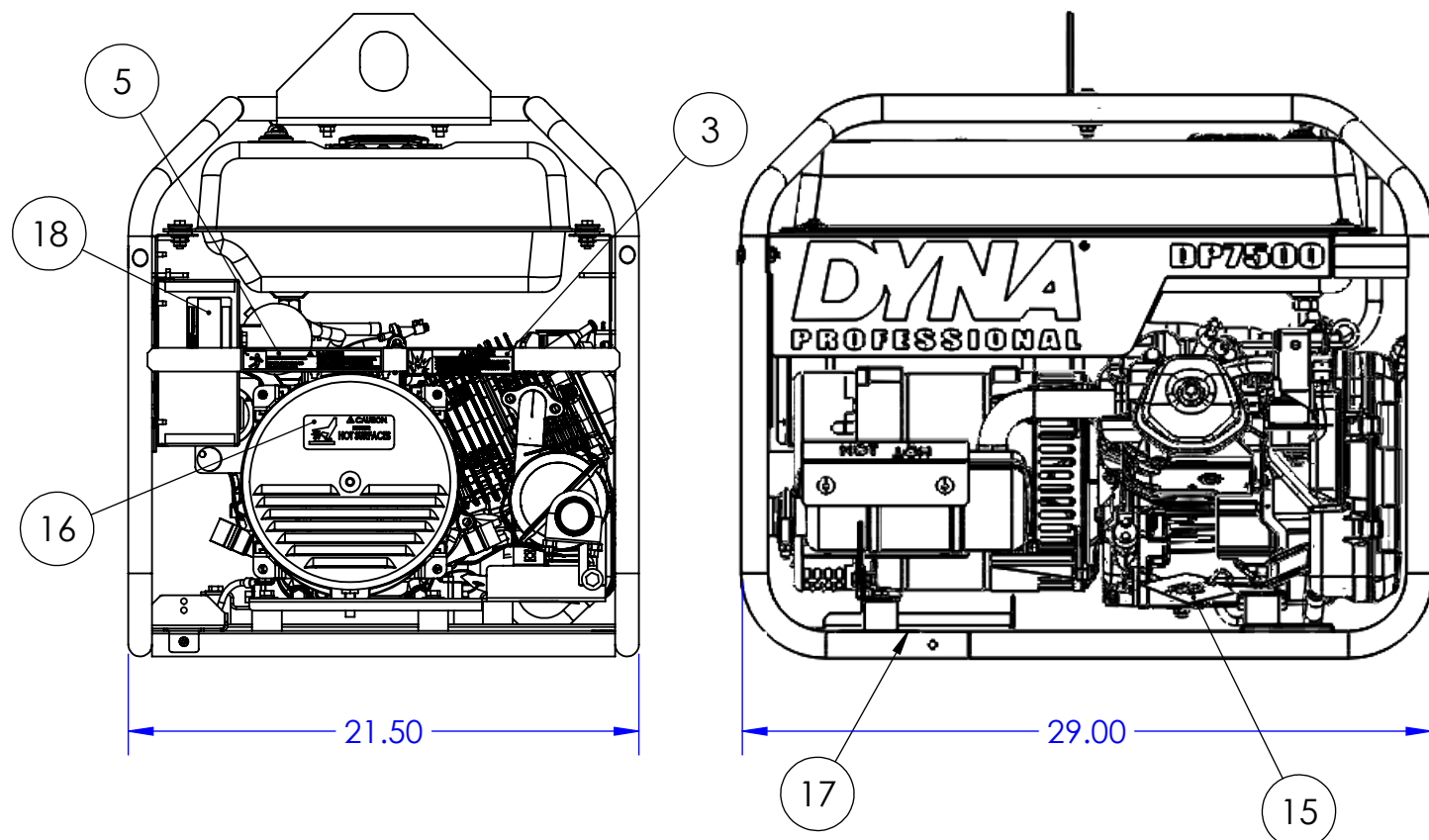
000-2006Z

REVISIONS					
REV.	IRN	DESCRIPTION	DATE	BY	APP'D
D	7037	REMOVED 97993-004 & ADDED 63941-012	5/18/2017	SJM	DRC
E	7340	REMOVED 16506-005, 300216-33, & (3) 21698-001 & 96286-002	7/26/2017	SJM	DRC

ITEM	PART NO.	DESCRIPTION	QTY.	ITEM	PART NO.	DESCRIPTION	QTY.
1	100047-775	30 X 22 X 24 CARTON	1	12	23590-001	CURVED HEAD BOLT 5/16-18 X 1 1/2	2
2	100059-002	PALLET, 30 X 22.5	1	13	300144-21	LIFTING EYE ASSEMBLY	1
3	15209-001 *	GASOLINE DECAL	1	14	300217-33	RIGHT SIDE RAIL	1
4	15209-002 *	DECAL-DANGER CARBON MONOXIDE	1	15	60710-018	OIL WARNING TAG	1
5	15209-003 *	UL-DECAL ELECTRICAL SHOCK CAN KILL	1	16	63941-001	DECAL -HOT SURFACES	1
6	15209-013	DECAL - FUEL TYPE GASOLINE	1	17	63941-012	DECAL-HOT SURFACES	1
7	15209-014	DECAL - CHECK OIL	1	18	63966-004	NAMEPLATE, WINCO PORTABLE	1
8	15457-067	RECEPTACLE ASSEMBLY	1	19	64024-006	FUEL SYSTEM INSTALLATION	1
9	16249-000	.3125-18 FLANGE	2	20	64918-000	DECAL-DANGER (CO) USE OUTSIDE	1
10	18000-025	CRADLE ASSEMBLY	1	21	82539-001	SELF TAP.SC.6X3/8	1
11	21698-001	TORX PAN HEAD SCREW #10	1	22	96286-002	FLAT WASHER NYLON	1

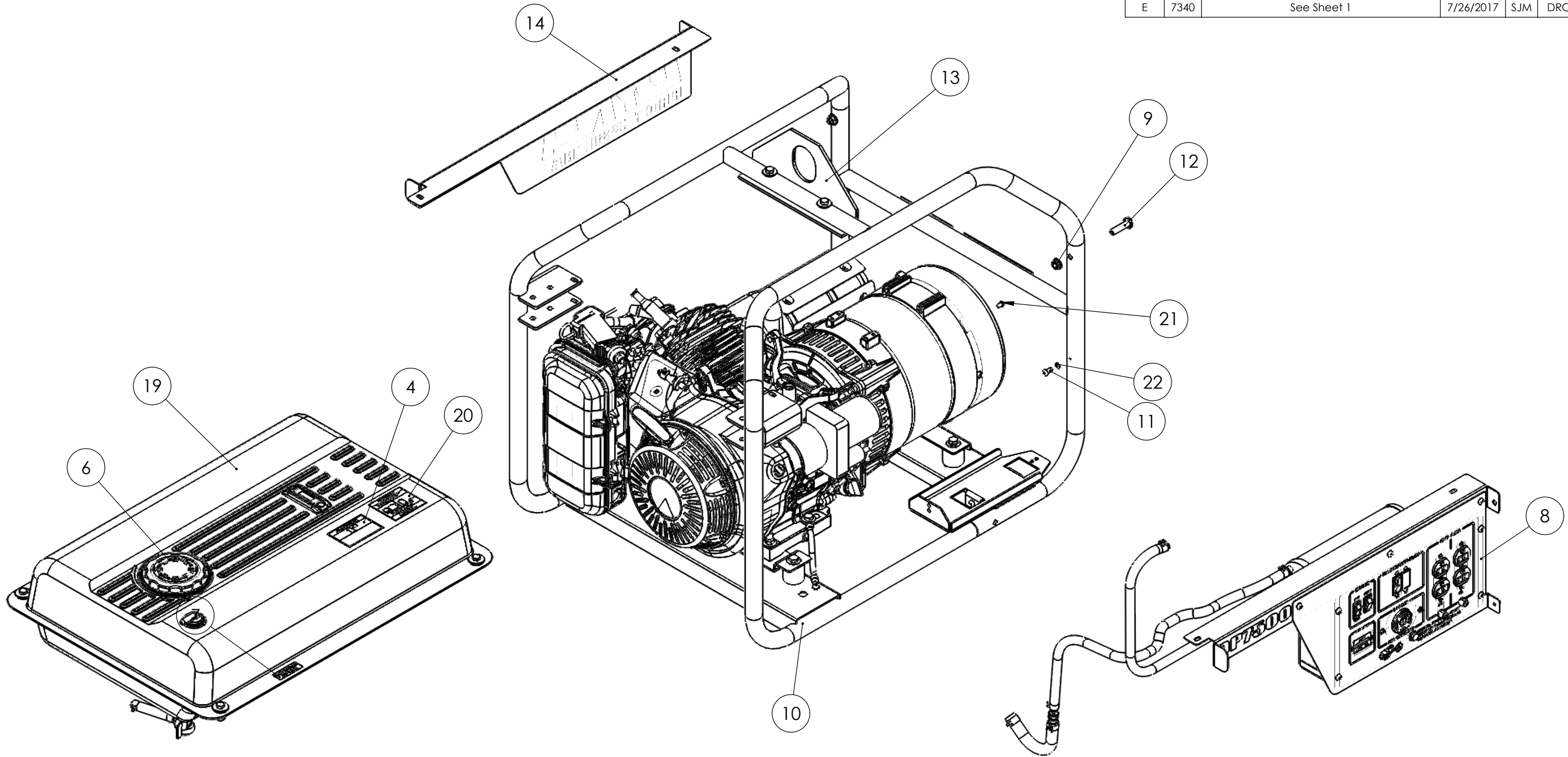


* PART OF DECAL KIT 15209-000



<p>THIS DRAWING CONTAINS PROPRIETARY INFORMATION BELONGING TO WINCO. UNAUTHORIZED USE IS PROHIBITED.</p> <p>ALL DIMENSIONS INCH</p>	DRAWN BY	DATE	CHK'D BY	DATE	ENG APPR.	DATE
	SJM	11/16/2016			DRC	12/13/2016
	TOLERANCE:	+/- 0.0625 DECIMAL		TITLE:		
	MODEL:	DYNA		DP7500/A		
			PART:	29007-000	1 of 2	

REVISIONS					
REV.	IRN	DESCRIPTION	DATE	BY	APP'D
D	7037	See Sheet 1	5/18/2017	SJM	DRC
E	7340	See Sheet 1	7/26/2017	SJM	DRC



NOTES:
 1. ROUTE PURGE HOSE OVER THE TOP OF THE ENGINE & ZIP TIE IN PLACE

 THIS DRAWING CONTAINS PROPRIETARY INFORMATION BELONGING TO WINCO. UNAUTHORIZED USE IS PROHIBITED. ALL DIMENSIONS INCH	DRAWN BY	DATE	CHK'D BY	DATE	ENG APPR.	DATE
	SJM	11/16/2016			DRC	12/13/2016
	TOLERANCE:	+/- 0.0625 DECIMAL		TITLE: DP7500/A		
	MODEL:	DYNA		PART: 29007-000		
					2 of 2	