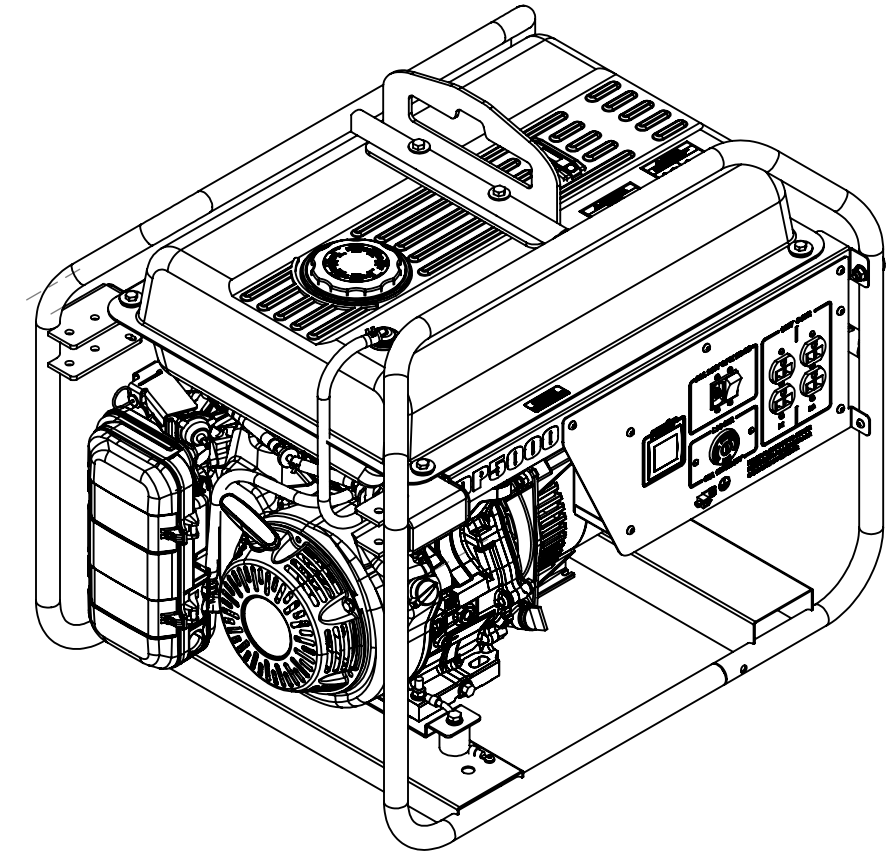


29005-005

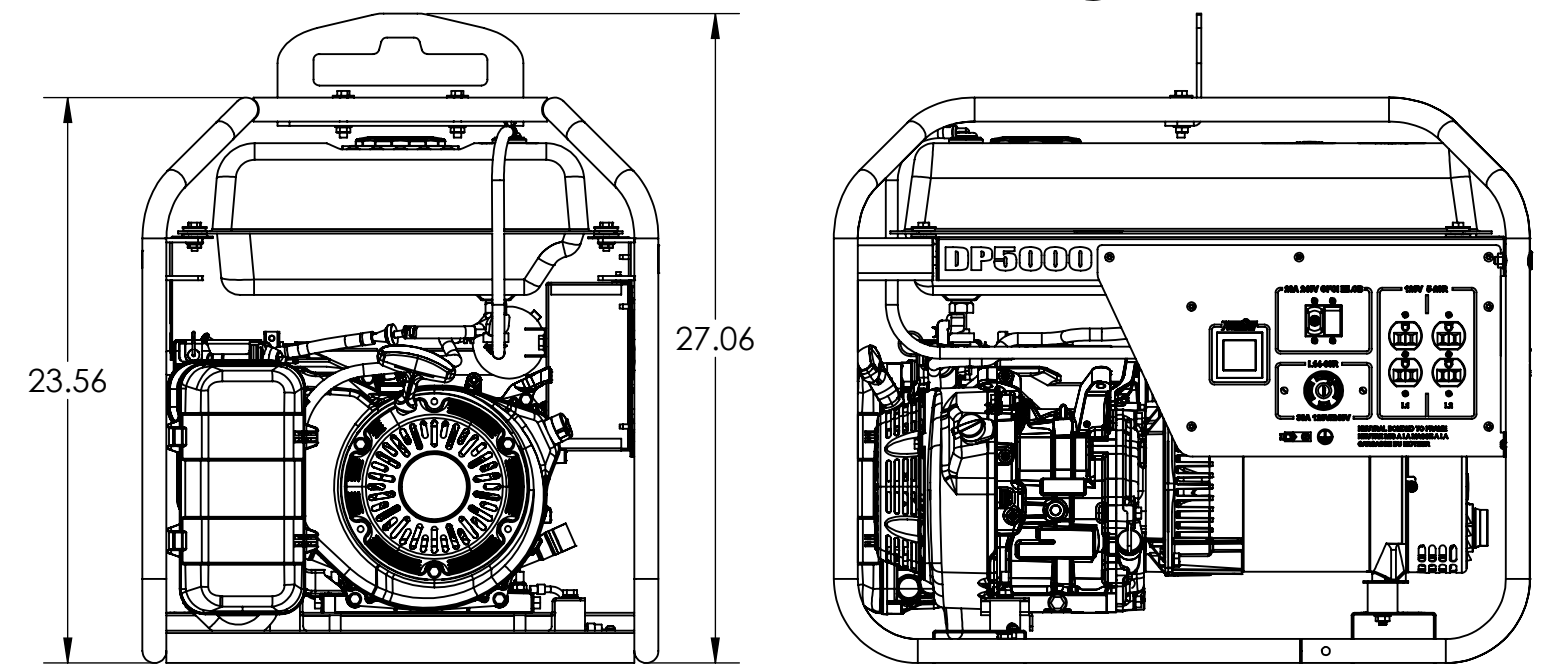
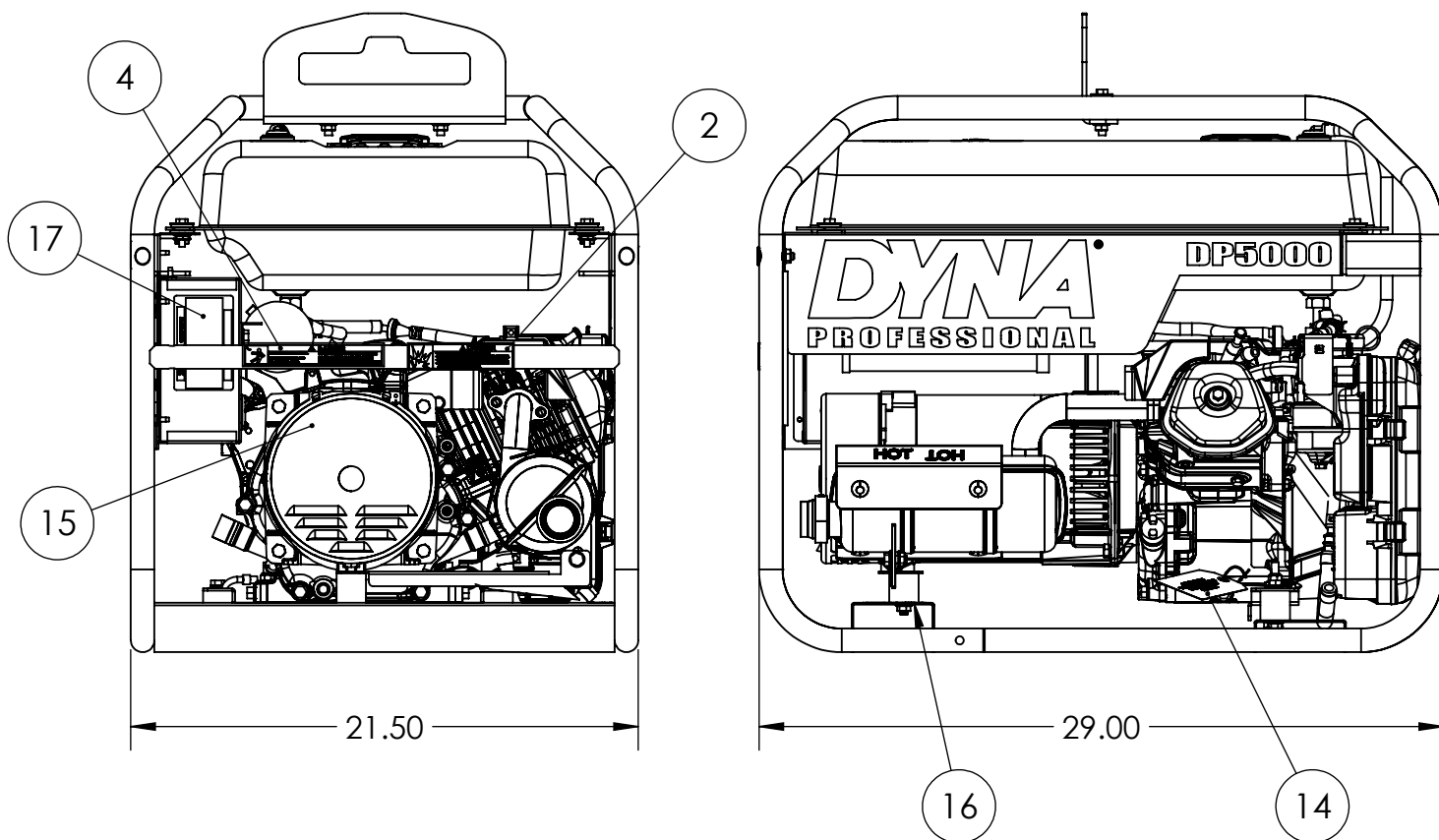
REVISIONS					
REV.	IRN	DESCRIPTION	DATE	BY	APP'D
A	P281	ORIGINAL	1/5/2018	SJM	DRD

ITEM	PART NO.	DESCRIPTION	QTY.
1	100047-775	30 X 22 X 24 CARTON	1
2	15209-001 *	GASOLINE DECAL	1
3	15209-002 *	DECAL-DANGER CARBON MONOXIDE	1
4	15209-003 *	UL-DECAL ELECTRICAL SHOCK CAN KILL	1
5	15209-013	DECAL - FUEL TYPE GASOLINE	1
6	15209-014	DECAL - CHECK OIL	1
7	15457-080	RECEPTACLE ASSEMBLY	1
8	16249-000	.3125-18 FLANGE	2
9	18000-036	CRADLE ASSEMBLY DP5000	1
10	21698-001	TORX PAN HEAD SCREW #10	1
11	23590-001	CURVED HEAD BOLT 5/16-18 X 1 1/2	2
12	300144-22	LIFTING EYE ASSEMBLY	1
13	300217-32	RIGHT SIDE RAIL	1

ITEM	PART NO.	DESCRIPTION	QTY.
14	60710-018	OIL WARNING TAG	1
15	63941-001	DECAL -HOT SURFACES	1
16	63941-012	DECAL-HOT SURFACES	1
17	63966-004	NAMEPLATE, WINCO PORTABLE	1
18	64024-006	FUEL SYSTEM INSTALLATION	1
19	64918-000	DECAL-DANGER (CO) USE OUTSIDE	1
20	82539-001	SELF TAP.SC.6X3/8	1
21	OPM-128	DP5000 OPERATORS MANUAL	1
22	267-002	FLAT WSH 9/32X1X.063	4
23	439-000	HHCS 1/4-20 X 1	4
24	16248-000	.25-20 FLANGE NUT	4
25	100114-703	SKID	1

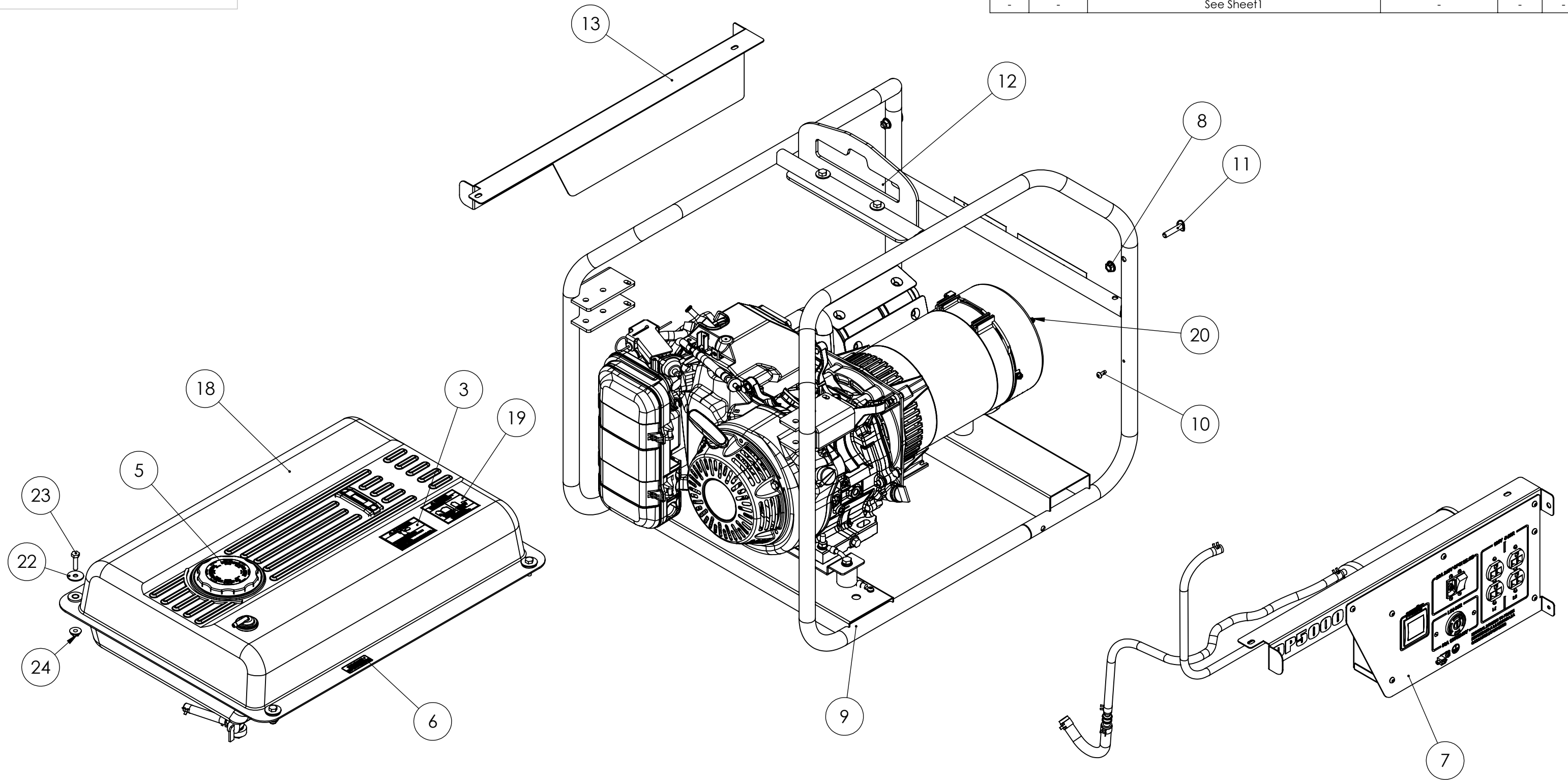


* PART OF DECAL KIT 15209-000



 THIS DRAWING CONTAINS PROPRIETARY INFORMATION BELONGING TO WINCO. UNAUTHORIZED USE IS PROHIBITED. ALL DIMENSIONS INCH	DRAWN BY	DATE	CHK'D BY	DATE	ENG APPR.	DATE
	SJM	1/5/2018			DRD	4/5/18
	TOLERANCE:	+/- 0.0625 DECIMAL		TITLE: DP5000/U		
	MODEL:	DYNA PRO		PART: 29005-005		
		1 of 2				

REVISIONS					
REV.	IRN	DESCRIPTION	DATE	BY	APP'D
-	-	See Sheet1	-	-	-



NOTES:
 1. ROUTE PURGE HOSE OVER THE TOP OF THE ENGINE & ZIP TIE IN PLACE

 THIS DRAWING CONTAINS PROPRIETARY INFORMATION BELONGING TO WINCO. UNAUTHORIZED USE IS PROHIBITED. ALL DIMENSIONS INCH	DRAWN BY	DATE	CHK'D BY	DATE	ENG APPR.	DATE
	SJM	1/5/2018			DRD	4/5/18
	TOLERANCE:	+/- 0.0625 DECIMAL		TITLE: DP5000/U		
	MODEL:	DYNA PRO		PART: 29005-005		
WINCO ®						2 of 2