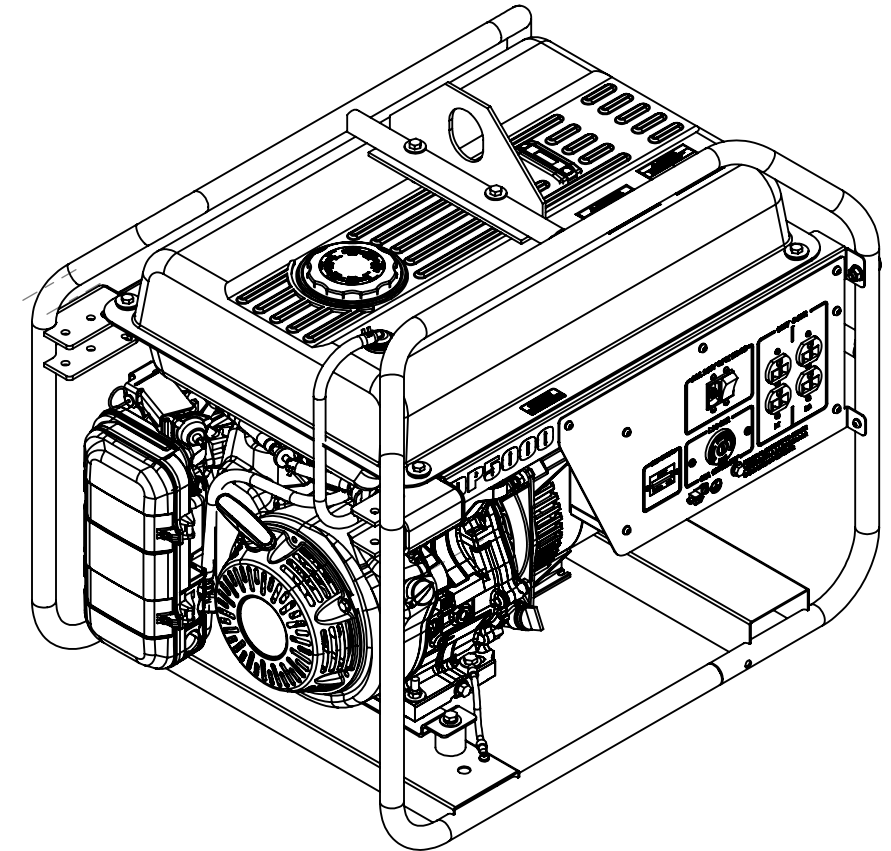


29005-004

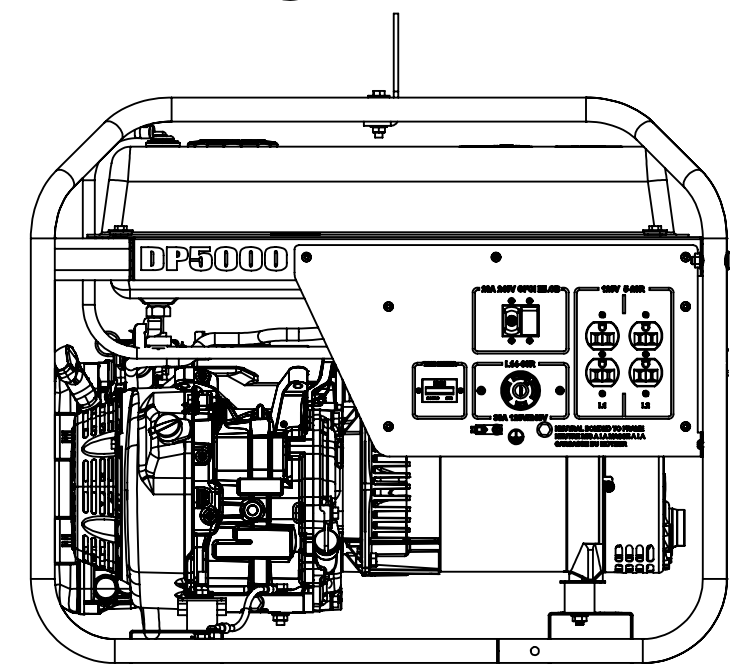
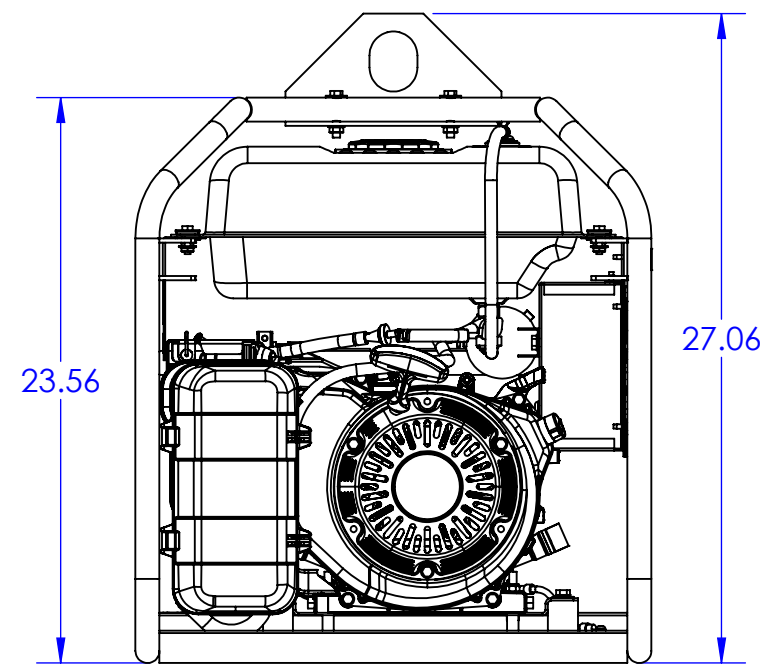
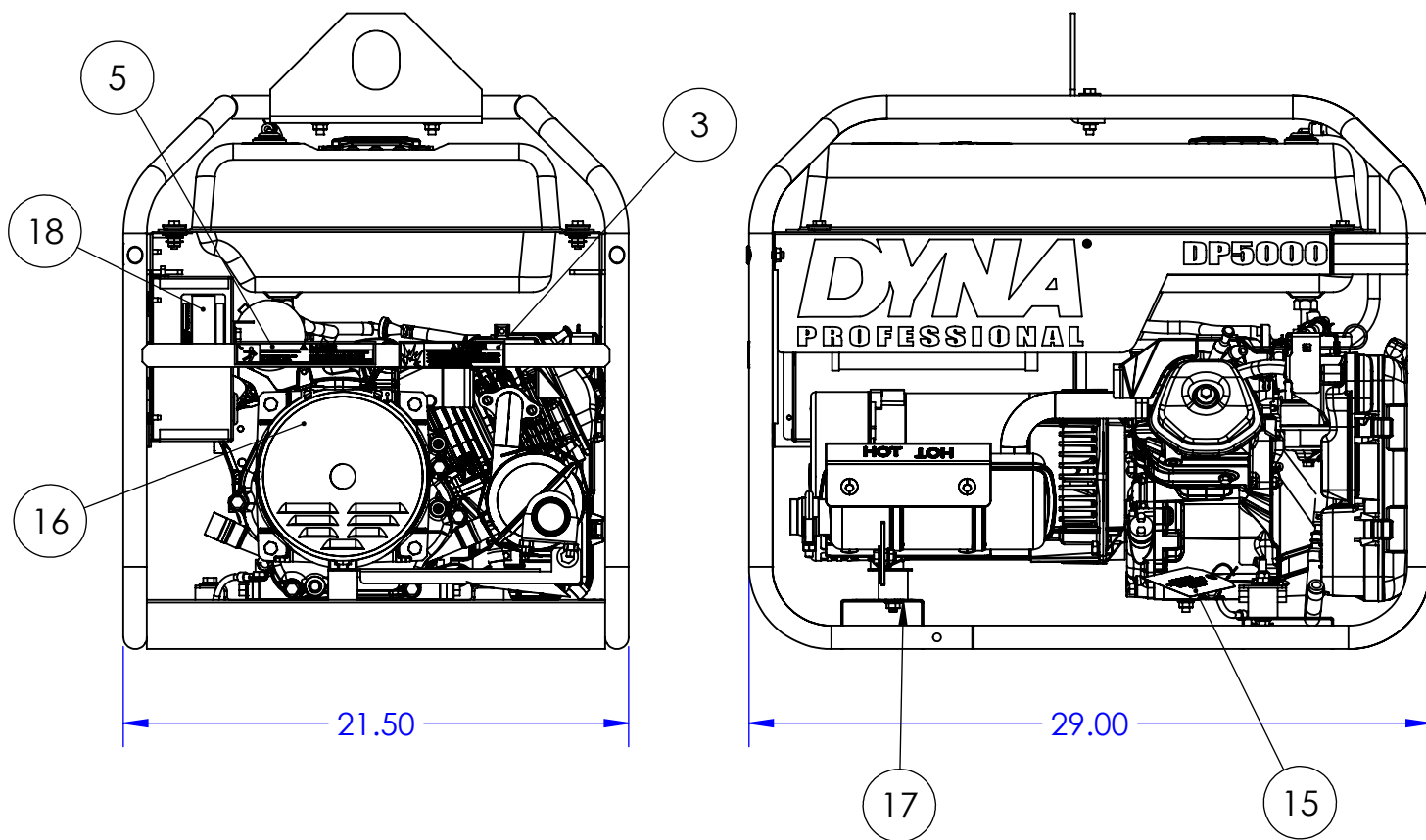
REVISIONS					
REV.	IRN	DESCRIPTION	DATE	BY	APP'D
A	P285	ORIGINAL	2/22/2017	SJM	DRC
B	7036	REMOVED 97993-004 & ADDED 63941-012	5/9/2017	SJM	DRC
C	7340	REMOVED 16506-005, 300216-32, & (3) 21698-001 & 96286-002	7/26/2017	SJM	DRC

ITEM	PART NO.	DESCRIPTION	QTY.
1	100047-775	30 X 22 X 24 CARTON	1
2	100059-002	PALLET, 30 X 22.5	1
3	15209-001 *	GASOLINE DECAL	1
4	15209-002 *	DECAL-DANGER CARBON MONOXIDE	1
5	15209-003 *	UL-DECAL ELECTRICAL SHOCK CAN KILL	1
6	15209-013	DECAL - FUEL TYPE GASOLINE	1
7	15209-014	DECAL - CHECK OIL	1
8	15457-073	RECEPTACLE ASSEMBLY	1
9	16249-000	.3125-18 FLANGE	2
10	18000-036	CRADLE ASSEMBLY DP5000	1
11	21698-001	TORX PAN HEAD SCREW #10	1

ITEM	PART NO.	DESCRIPTION	QTY.
12	23590-001	CURVED HEAD BOLT 5/16-18 X 1 1/2	2
13	300144-22	LIFTING EYE ASSEMBLY	1
14	300217-32	RIGHT SIDE RAIL	1
15	60710-018	OIL WARNING TAG	1
16	63941-001	DECAL -HOT SURFACES	1
17	63941-012	DECAL-HOT SURFACES	1
18	63966-004	NAMEPLATE, WINCO PORTABLE	1
19	64024-006	FUEL SYSTEM INSTALLATION	1
20	64918-000	DECAL-DANGER (CO) USE OUTSIDE	1
21	82539-001	SELF TAP.SC.6X3/8	1
22	96286-002	FLAT WASHER NYLON	1

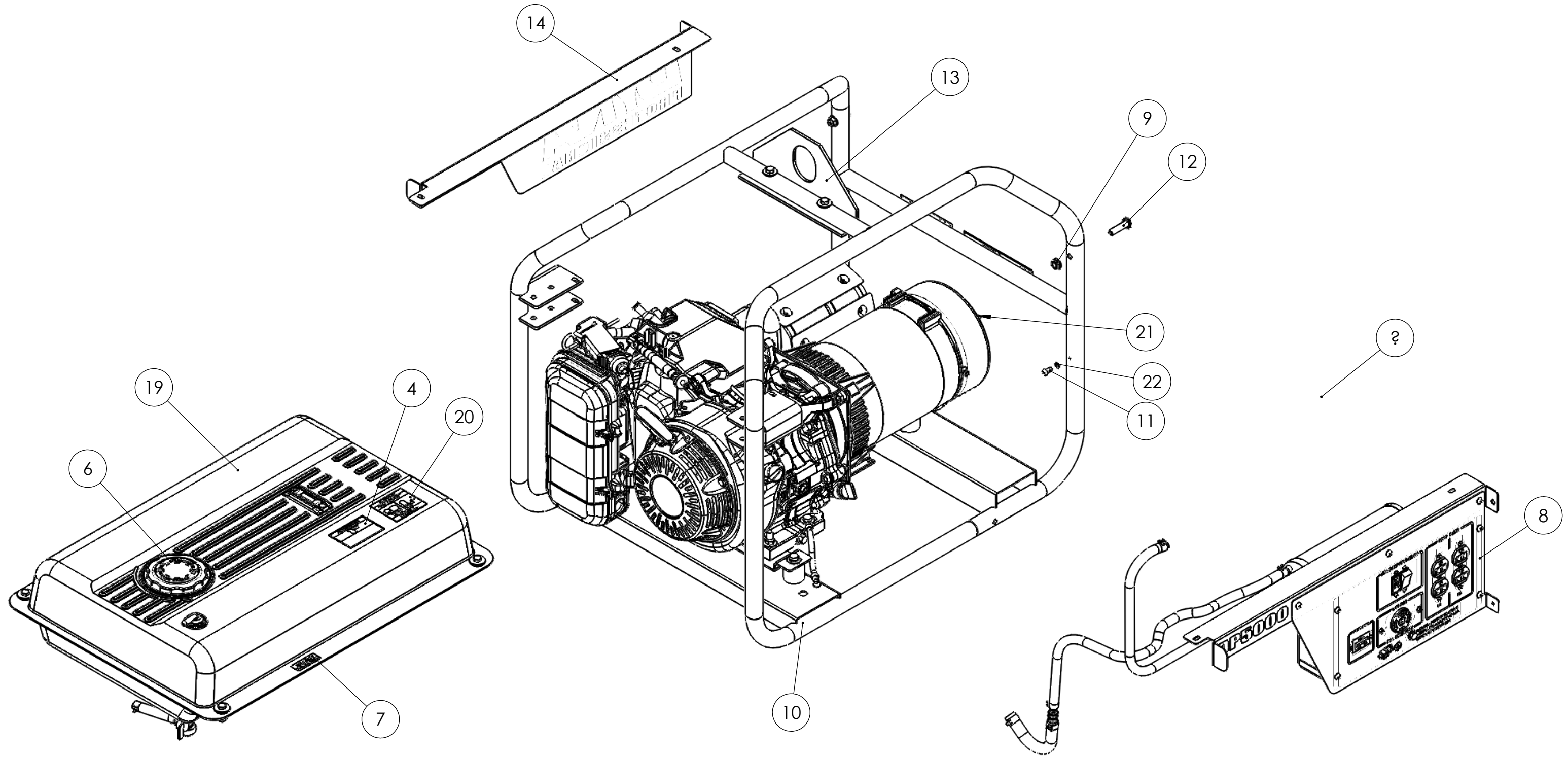


* PART OF DECAL KIT 15209-000



<p>THIS DRAWING CONTAINS PROPRIETARY INFORMATION BELONGING TO WINCO. UNAUTHORIZED USE IS PROHIBITED.</p> <p>ALL DIMENSIONS INCH</p>	DRAWN BY	DATE	CHK'D BY	DATE	ENG APPR.	DATE
	SJM	2/22/2017			DRC	3/7/2017
	TOLERANCE:	+/- 0.0625 DECIMAL		TITLE: DP5000		
	MODEL:	DYNA PRO		PART: 29005-004		
			1 of 2			

REVISIONS					
REV.	IRN	DESCRIPTION	DATE	BY	APP'D
C	7340	SEE SHEET 1	7/26/2017	SJM	DRC



NOTES:
 1. ROUTE PURGE HOSE OVER THE TOP OF THE ENGINE & ZIP TIE IN PLACE

 THIS DRAWING CONTAINS PROPRIETARY INFORMATION BELONGING TO WINCO. UNAUTHORIZED USE IS PROHIBITED. ALL DIMENSIONS INCH	DRAWN BY	DATE	CHK'D BY	DATE	ENG APPR.	DATE
	SJM	2/22/2017			DRC	3/7/2017
	TOLERANCE:	+/- 0.0625 DECIMAL		TITLE: DP5000		
		+/- 1 DEG ANGULAR				
	MODEL:	DYNA PRO				
			PART:	29005-004	2 of 2	