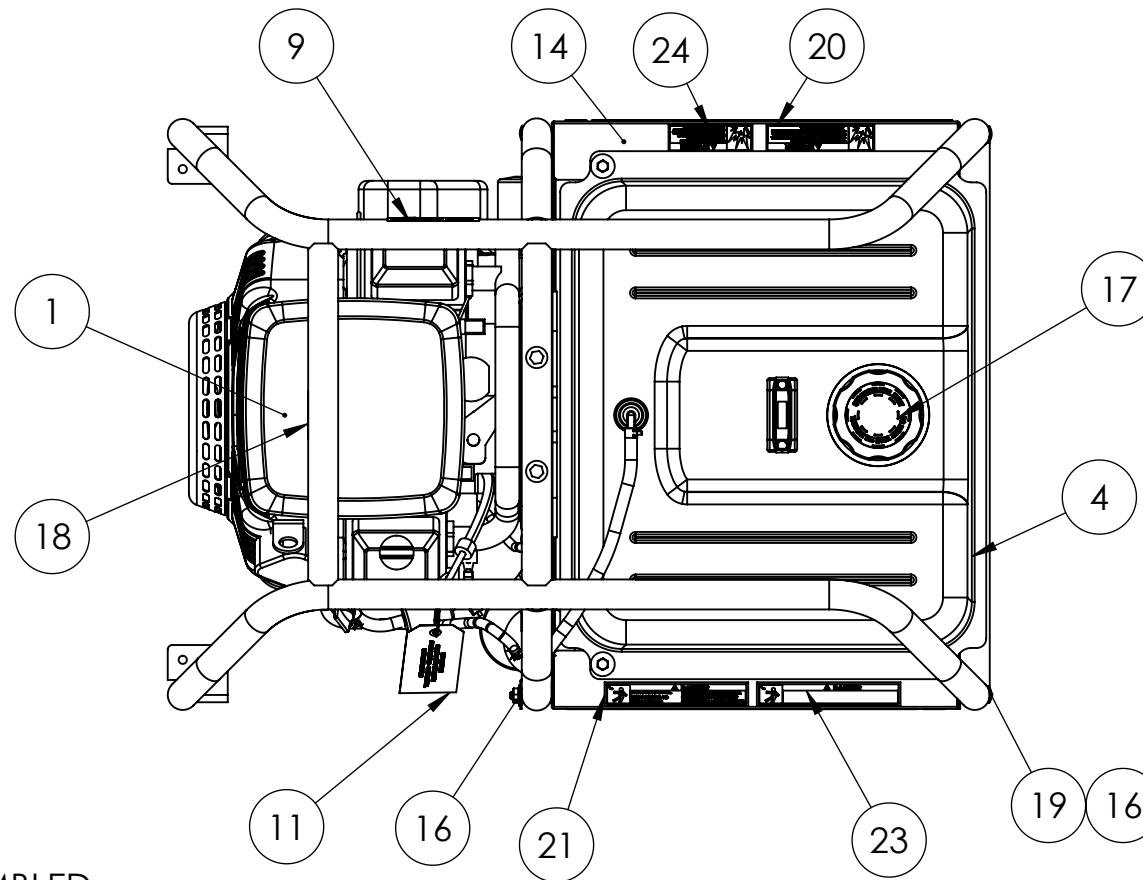
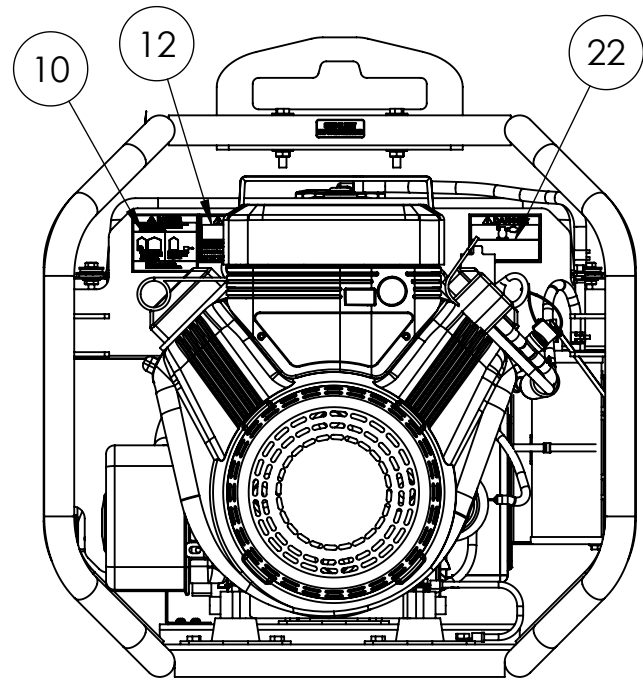
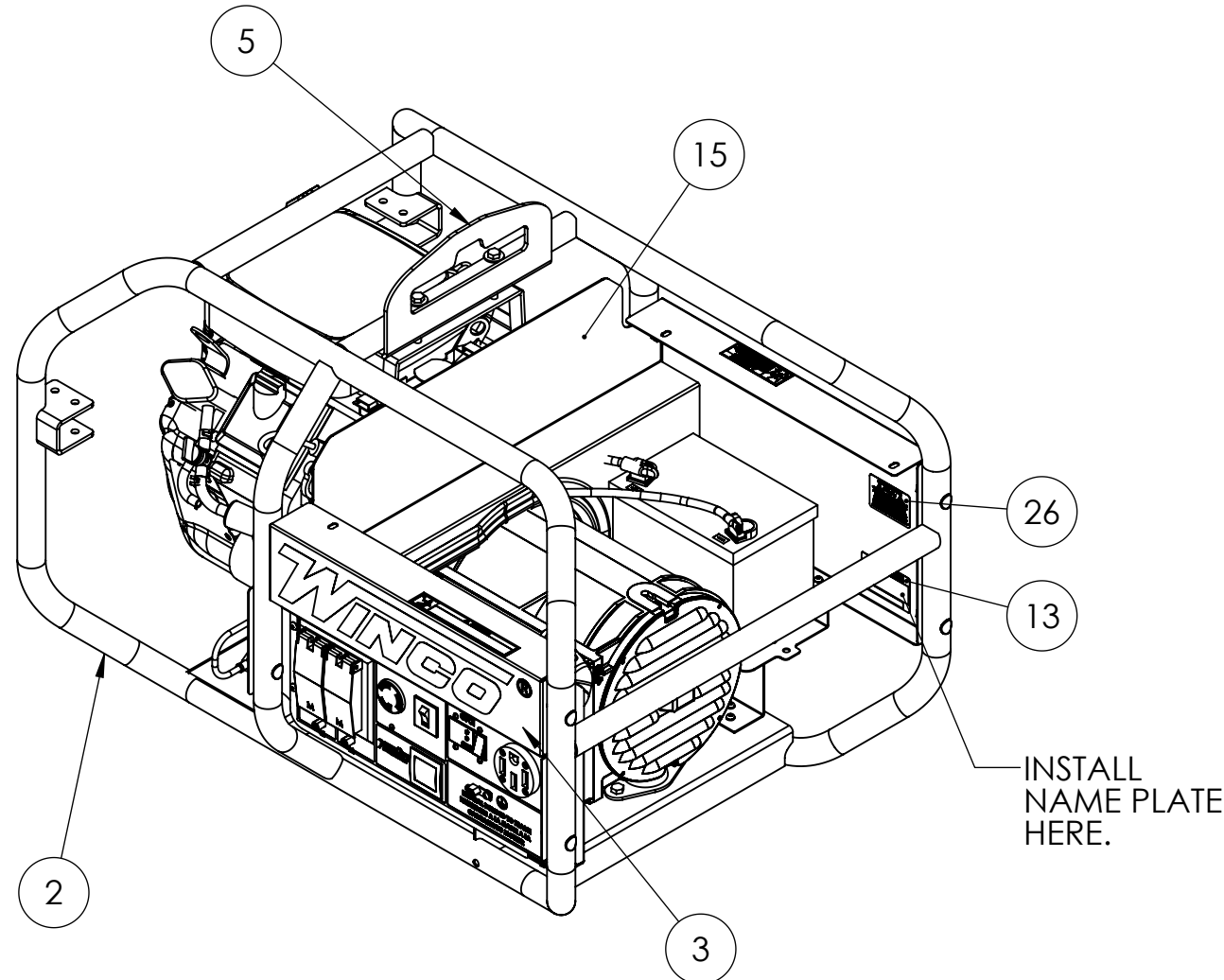


24010-001



CUSTOMER ASSEMBLED



REVISIONS

REV.	IRN	DESCRIPTION	DATE	BY	APP'D
A		ORIGINAL	1/4/2018	SJM	DRD

NOTE: * PARTS IN KIT 15209-000
** PARTS IN KIT 15209-100

ITEM NO.	PartNo	DESCRIPTION	QTY.	
1	18000-033	ENGINE GENERATOR ASSEMBLY	1	
2	18000-026	CRADLE ASSEMBLY	1	
3	15457-078	RECEPTACLE ASSEMBLY	1	
4	15163-098	FUEL SYSTEM ASSEMBLY	1	
5	300144-18	LIFTING EYE ASSEMBLY	1	
6	300515-2	OIL	.38 GAL	
7	100047-000	CARTON	1	
8	100059-000	PALLET	1	
9	63941-001	DECAL -HOT SURFACES	1	
10	64918-000	DECAL-DANGER (CO) USE OUTSIDE	1	
11	60710-018	OIL WARNING TAG	1	
*	12	15209-002	DECAL-DANGER CARBON MONOXIDE	1
13	63966-004	NAMEPLATE, WINCO PORTABLE	1	
14	300216-310	LEFT SIDE RAIL	1	
15	15687-042	HEAT SHIELD	1	
16	16249-000	.3125-18 FLANGE	8	
17	15209-013	DECAL - FUEL TYPE GASOLINE	1	
18	15209-014	DECAL - CHECK OIL	1	
19	23590-002	CURVED HEAD BOLT 5/16-18 X 1 3/4	8	
*	20	15209-001	GASOLINE DECAL	1
*	21	15209-003	UL-DECAL ELECTRICAL SHOCK CAN KILL	1
**	22	15209-102	DECAL-DANGER CARBON MONOXIDE	1
**	23	15209-100	UL-DECAL ELECTRICAL SHOCK CAN KILL (FRENCH)	1
**	24	15209-100	DECAL, GASOLINE DANGER, FRENCH	1
25	OPM-132	OPERATOR'S MANUAL	1	
26	15209-036	PROP 65 WARNING DECAL	1	

THIS DRAWING CONTAINS PROPRIETARY INFORMATION BELONGING TO WINCO. UNAUTHORIZED USE IS PROHIBITED. ALL DIMENSIONS INCH	DRAWN BY	DATE	CHK'D BY	DATE	ENG APPR.	DATE
	SJM	1/4/2018			DRD	4/17/18
	TOLERANCE:	+/- 0.0625 DECIMAL		TITLE: W10000VE/A		
MODEL:	W10000VE/A		PART: 24010-001			1 of 1