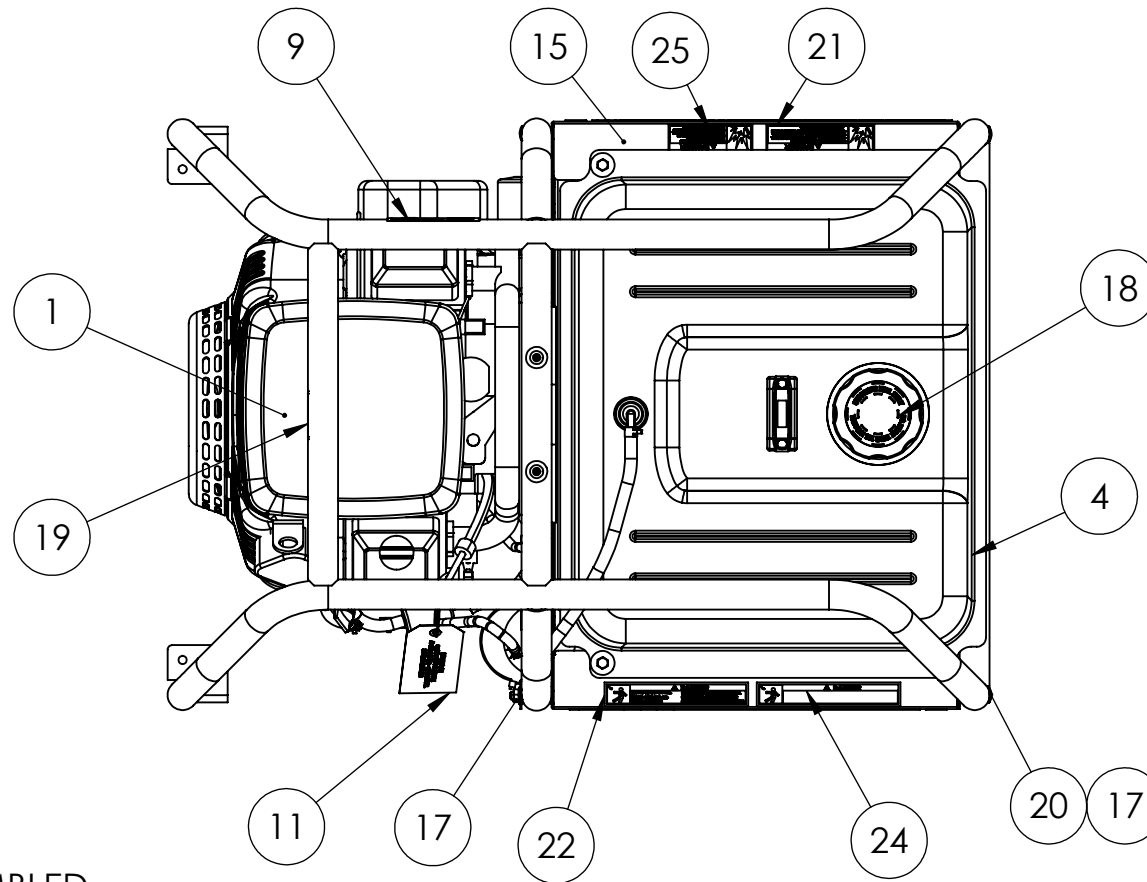
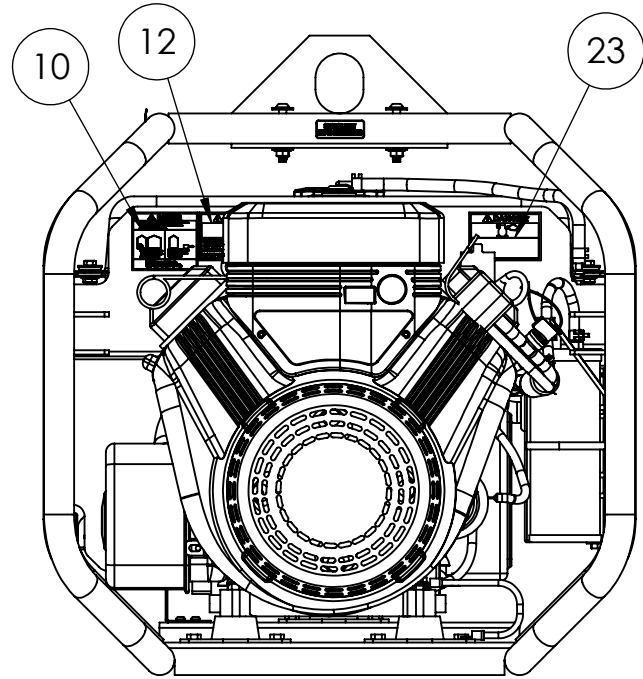
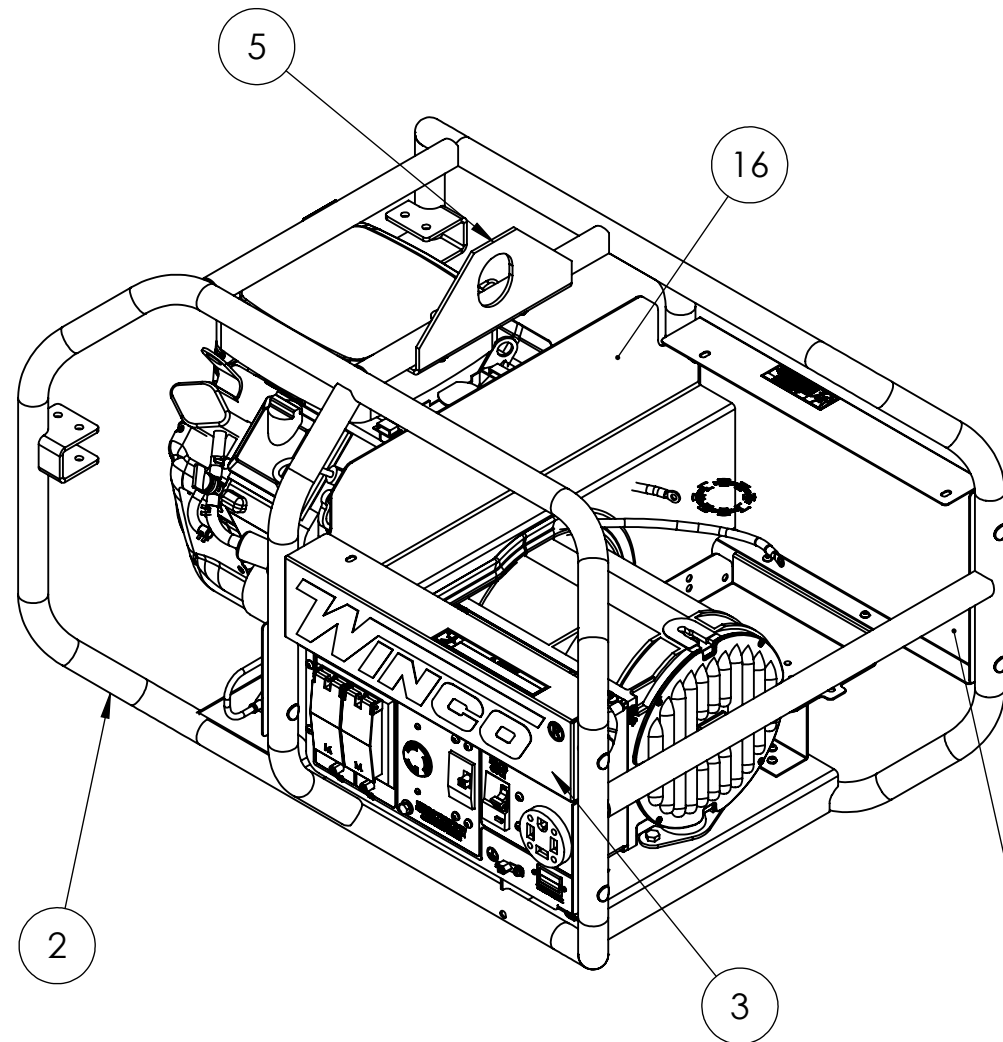


24010-000



CUSTOMER ASSEMBLED



INSTALL
NAME PLATE
HERE.

REVISIONS

REV.	IRN	DESCRIPTION	DATE	BY	APP'D
A	P262	ORIGINAL	8/16/2016	RJD	ZJF
B	6004	UPDATES AFTER PROTOTYPE AND GEN CHANGE	11/11/16	MML	DRC
C	6683	UPDATES AFTER PILOT RUN	3/31/17	MML	DRC

NOTE: * PARTS IN KIT 15209-000
** PARTS IN KIT 15209-100

ITEM NO.	PartNo	DESCRIPTION	QTY.	
1	18000-033	ENGINE GENERATOR ASSEMBLY	1	
2	18000-026	CRADLE ASSEMBLY	1	
3	15457-068	RECEPTACLE ASSEMBLY	1	
4	15163-098	FUEL SYSTEM ASSEMBLY	1	
5	300144-18	LIFTING EYE ASSEMBLY	1	
6	300515-2	OIL	.375 GAL	
7	100047-000	CARTON	1	
8	100059-000	PALLET	1	
9	63941-001	DECAL -HOT SURFACES	1	
10	64918-000	DECAL-DANGER (CO) USE OUTSIDE	1	
11	60710-018	OIL WARNING TAG	1	
*	12	15209-002	DECAL-DANGER CARBON MONOXIDE	1
13	63966-004	NAMEPLATE, WINCO PORTABLE	1	
14	16506-005	NAMEPLATE CLEAR OVERLAY	1	
15	300216-310	LEFT SIDE RAIL	1	
16	15687-042	HEAT SHIELD	1	
17	16249-000	.3125-18 FLANGE	8	
18	15209-013	DECAL - FUEL TYPE GASOLINE	1	
19	15209-014	DECAL - CHECK OIL	1	
20	23590-002	CURVED HEAD BOLT 5/16-18 X 1 3/4	8	
*	21	15209-001	GASOLINE DECAL	1
*	22	15209-003	UL-DECAL ELECTRICAL SHOCK CAN KILL	1
**	23	15209-102	DECAL-DANGER CARBON MONOXIDE	1
**	24	15209-100	UL-DECAL ELECTRICAL SHOCK CAN KILL (FRENCH)	1
**	25	15209-101	DECAL, GASOLINE DANGER, FRENCH	1
26	OPM-113	OPERATOR'S MANUAL	1	

<p>THIS DRAWING CONTAINS PROPRIETARY INFORMATION BELONGING TO WINCO. UNAUTHORIZED USE IS PROHIBITED</p> <p>ALL DIMENSIONS INCH</p>	DRAWN BY RJD	DATE 8/5/2016	CHK'D BY	DATE	ENG APPR. ZJF	DATE 8/25/2016
	TOLERANCE: +/- 0.0625 DECIMAL +/- 1 DEG ANGULAR	TITLE: WC10000				
	MODEL: WC10000	PART: 24010-000 1 of 1				

