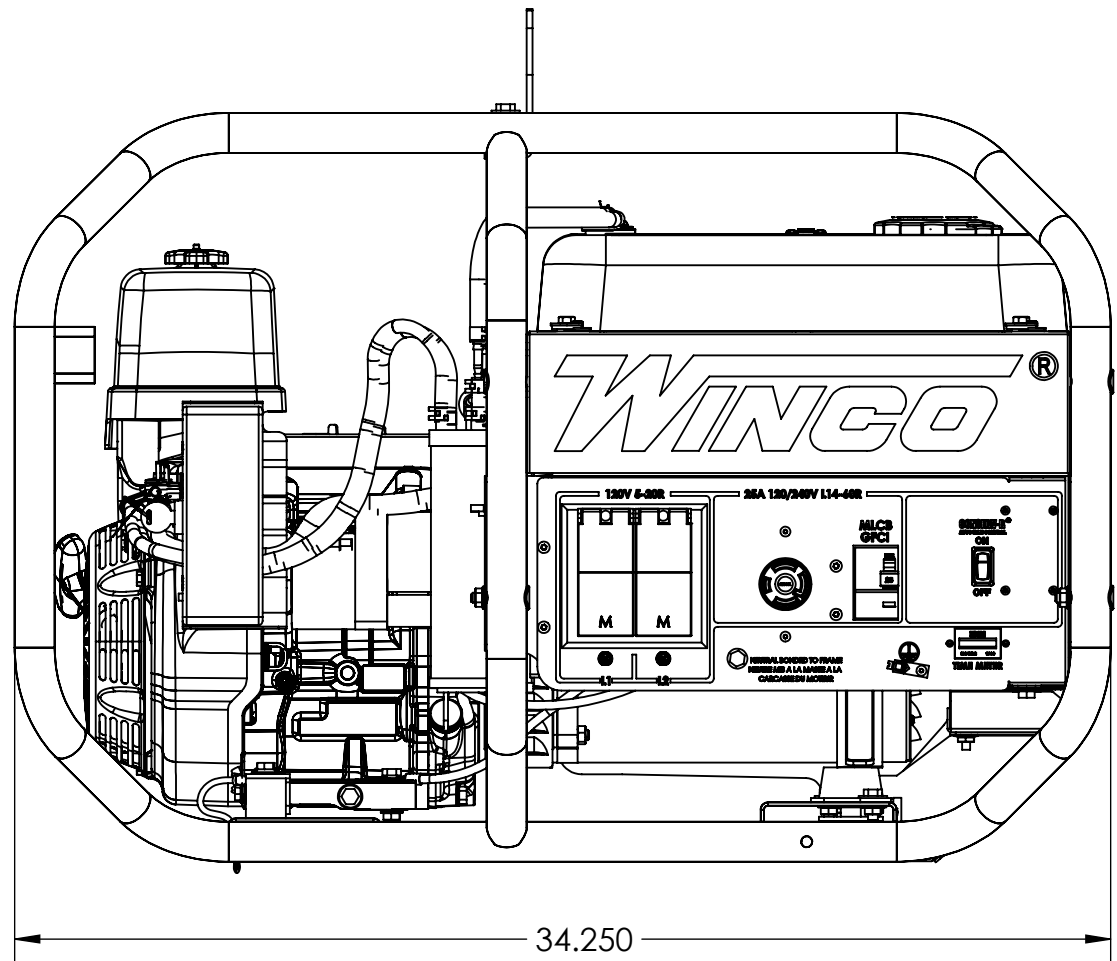
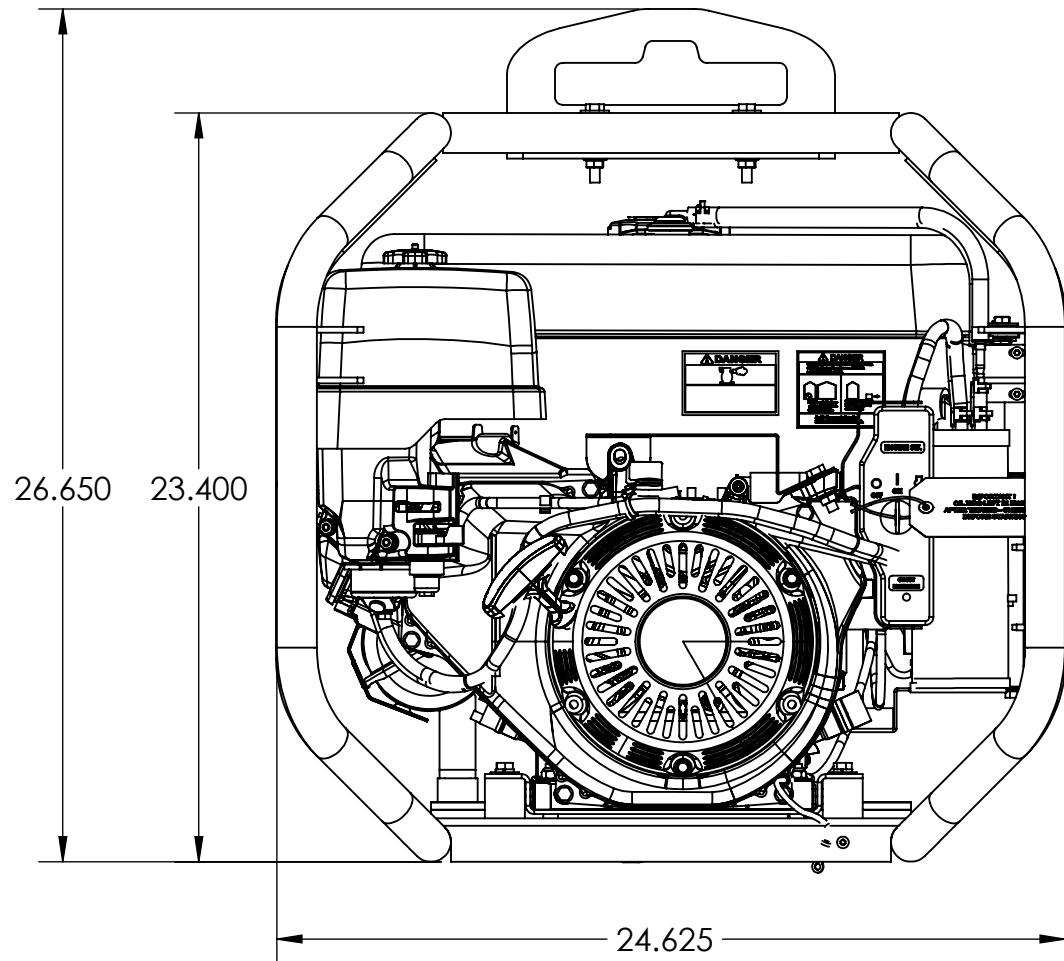



24006-005

ITEM NO.	PartNo	DESCRIPTION	QTY.
1	15428-000	HONDA ENGINE GX340	1
2	16346-027	GENERATOR END	1
3	63073-057	WELDED FRAME	1
4	18000-030	CELL 1 ENGINE AND GENERATOR	1
5	18000-031	CELL 2 E&G, CRADLE & RECEPTACLE BOX	1
6	15457-069	RECEPTACLE ASSEMBLY	1
7	18000-032	CELL 3 ASSEMBLIES	1
8	15163-100	FUEL SYSTEM	1
9	16175-032	BATTERY INSTALL	1
10	300144-19	LIFTING EYE ASSEMBLY	1
11	350590-19	MUFFLER	1
12	300515-2	OIL	.3125 GAL
13	100047-000	CARTON	1
14	16248-000	.25-20 FLANGE NUT	1
15	100114-704	SKID	1

REVISIONS					
REV.	IRN	DESCRIPTION	DATE	BY	APP'D
A	P276	ORIGINAL	10/17/2016	MML	DRC
B	7240	UPDATED SKID	1/29/2018	BWZ	DRD



 THIS DRAWING CONTAINS PROPRIETARY INFORMATION BELONGING TO WINCO. UNAUTHORIZED USE IS PROHIBITED. ALL DIMENSIONS INCH	DRAWN BY	DATE	CHK'D BY	DATE	ENG APPR.	DATE
	MML	10/17/2016			DRC	12/3/2016
	TOLERANCE:	+/- 0.0625 DECIMAL		TITLE: WC6000HE/F		
	MODEL:	WC6000HE/F		PART: 24006-005		

