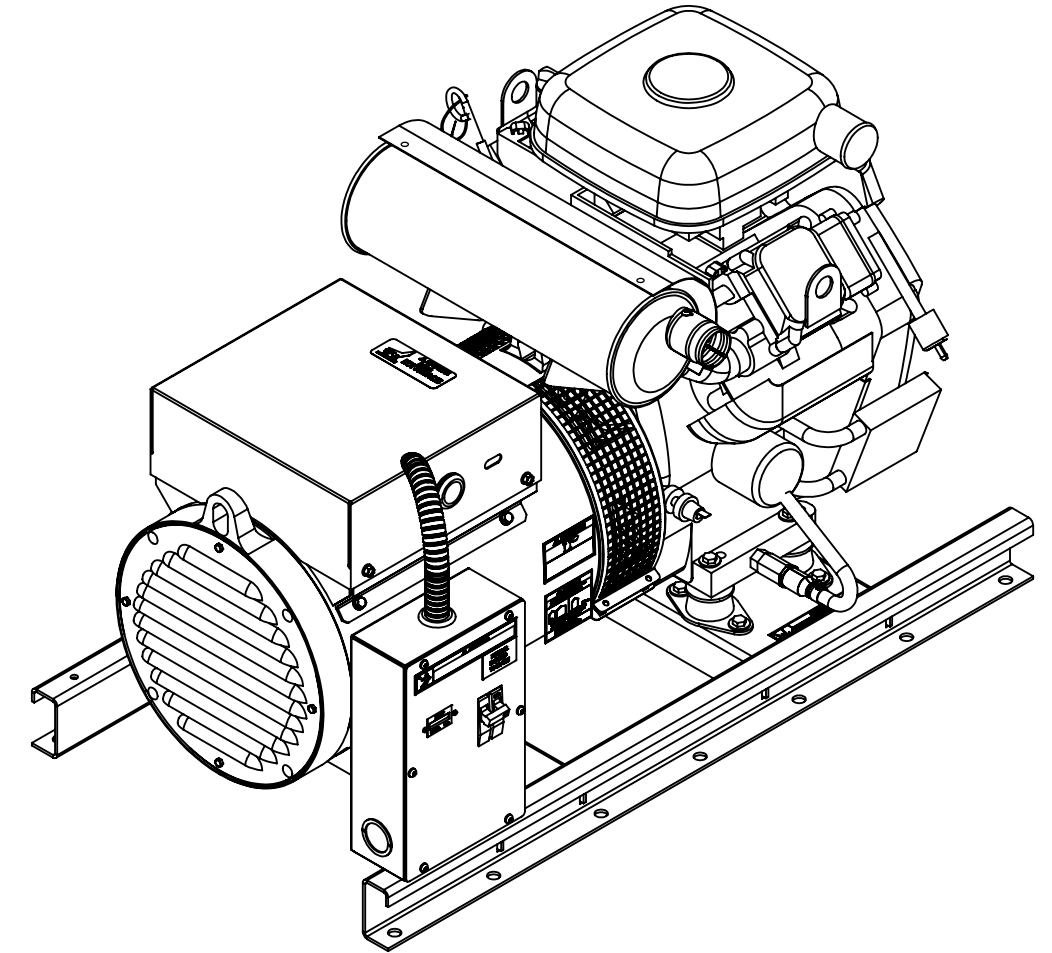
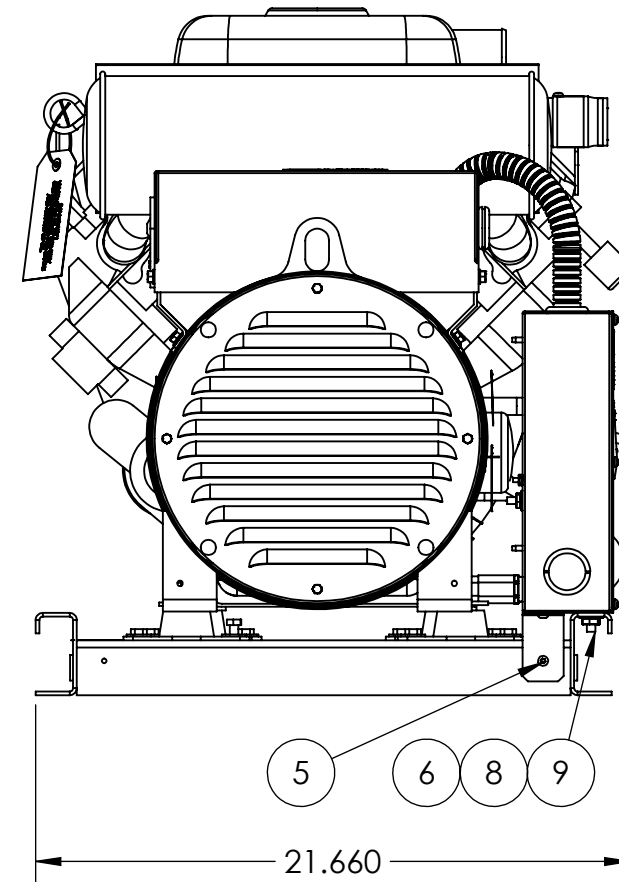
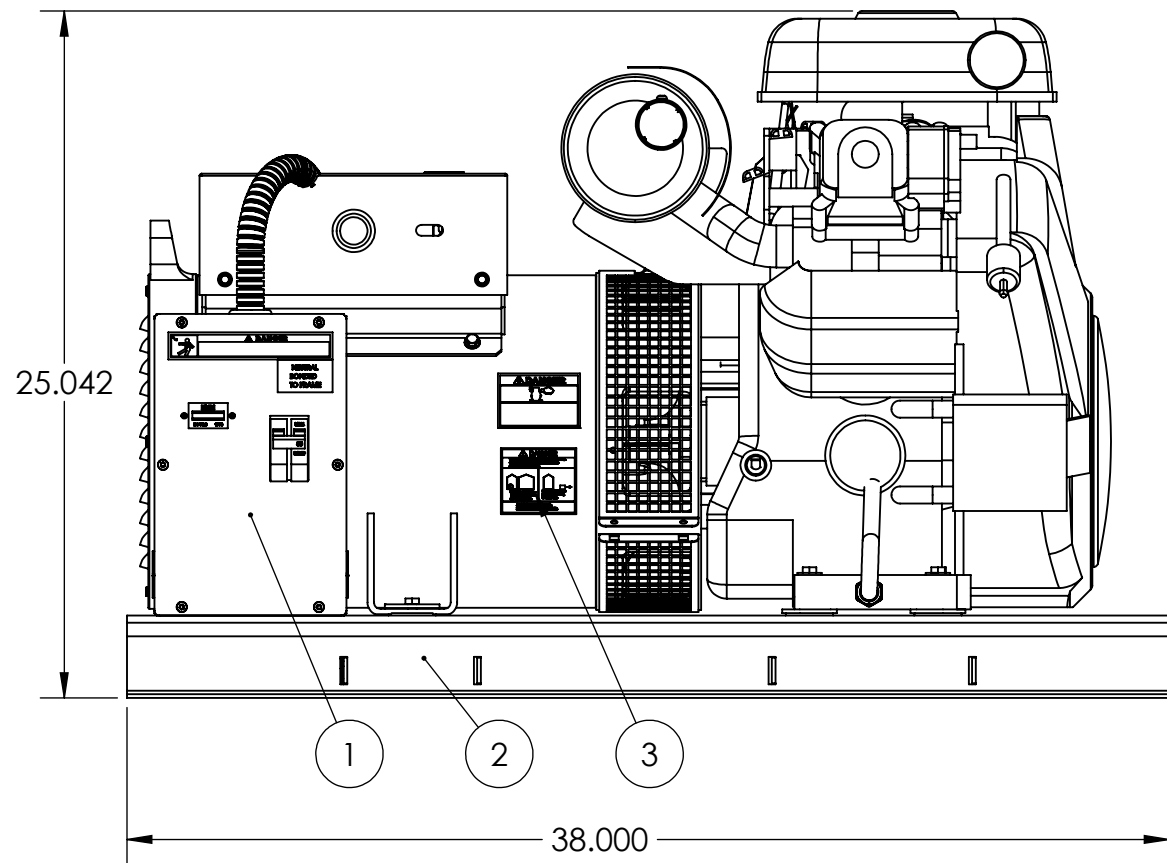


19022-000

REVISIONS

REV	IRN	DESCRIPTION	DATE	BY	APP'D
A		ORIGINAL	4/27/2012	PJY	MVW
B		REDESIGNED RECEPTACLE BOX	6/20/12	PJY	MVW
C	3630	60706-231 ADDED	3/24/2015	KS	DRC
D	5271	REPLACED 473-000 WITH 467-000 ADDED 526-000	5/17/2016	RJD	ZJF



ITEM NO.	PartNo	DESCRIPTION	QTY.
1	19022-200	RECEPTACLE BOX ASSEMBLY	1
2	19022-055	ENGINE AND BASE ASSEMBLY	1
3	19022-011	DECAL INSTALLATION	1
4	100046-504	CARTON 30-50 PTO HSC/FOL TW 43-1/2 X 27-3/8 X 26 ECT 80	1
5	21698-001	10-16 X .375 TORX SCREW	1
6	16249-000	.3125-18 FLANGE NUT	2
7	60706-231	OPERATOR MANUAL	1
8	526-000	5/16 FLAT WASHER	2
9	467-000	HHCS 5/16-18X.75	2

 THIS DRAWING CONTAINS PROPRIETARY INFORMATION BELONGING TO WINCO. UNAUTHORIZED USE IS PROHIBITED. ALL DIMENSIONS INCH	DRAWN BY	DATE	CHK'D BY	DATE	ENG APPR.	DATE
	PJY	4/27/2012				
	TOLERANCE:	+/- 0.0625 DECIMAL +/- 1 DEG ANGULAR		TITLE: EC22000VE		
	MODEL:	EC22000VE/A		PART: 19022-000		
WINCO ®						