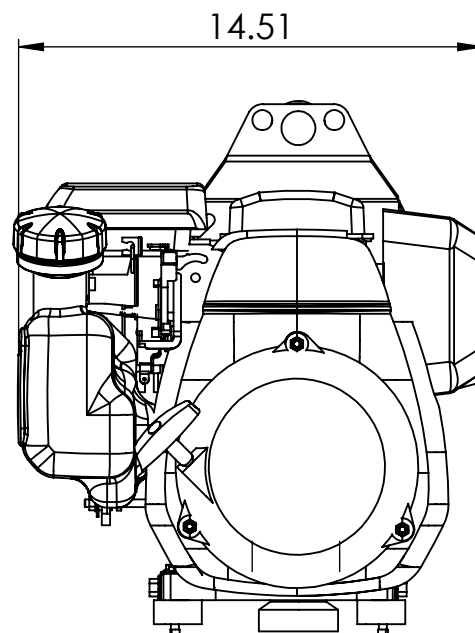
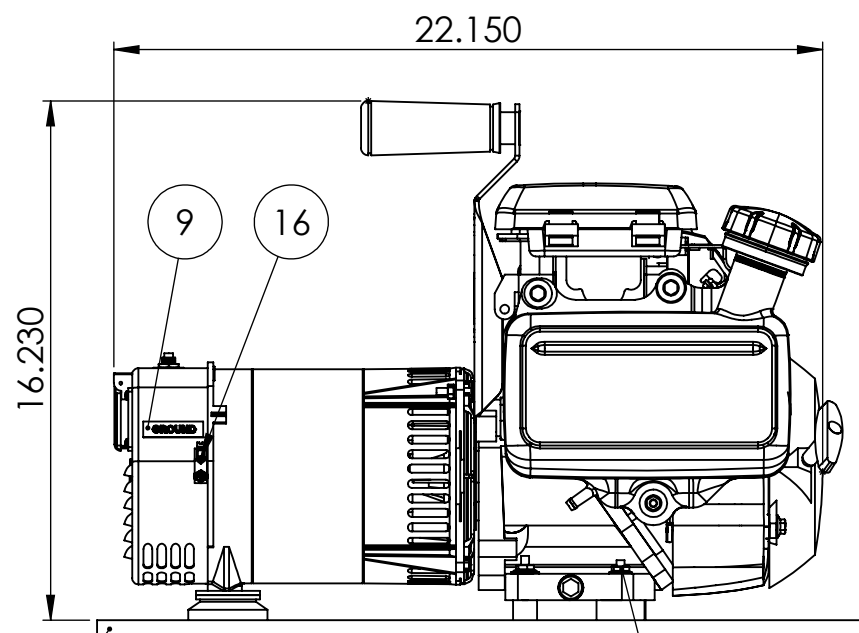
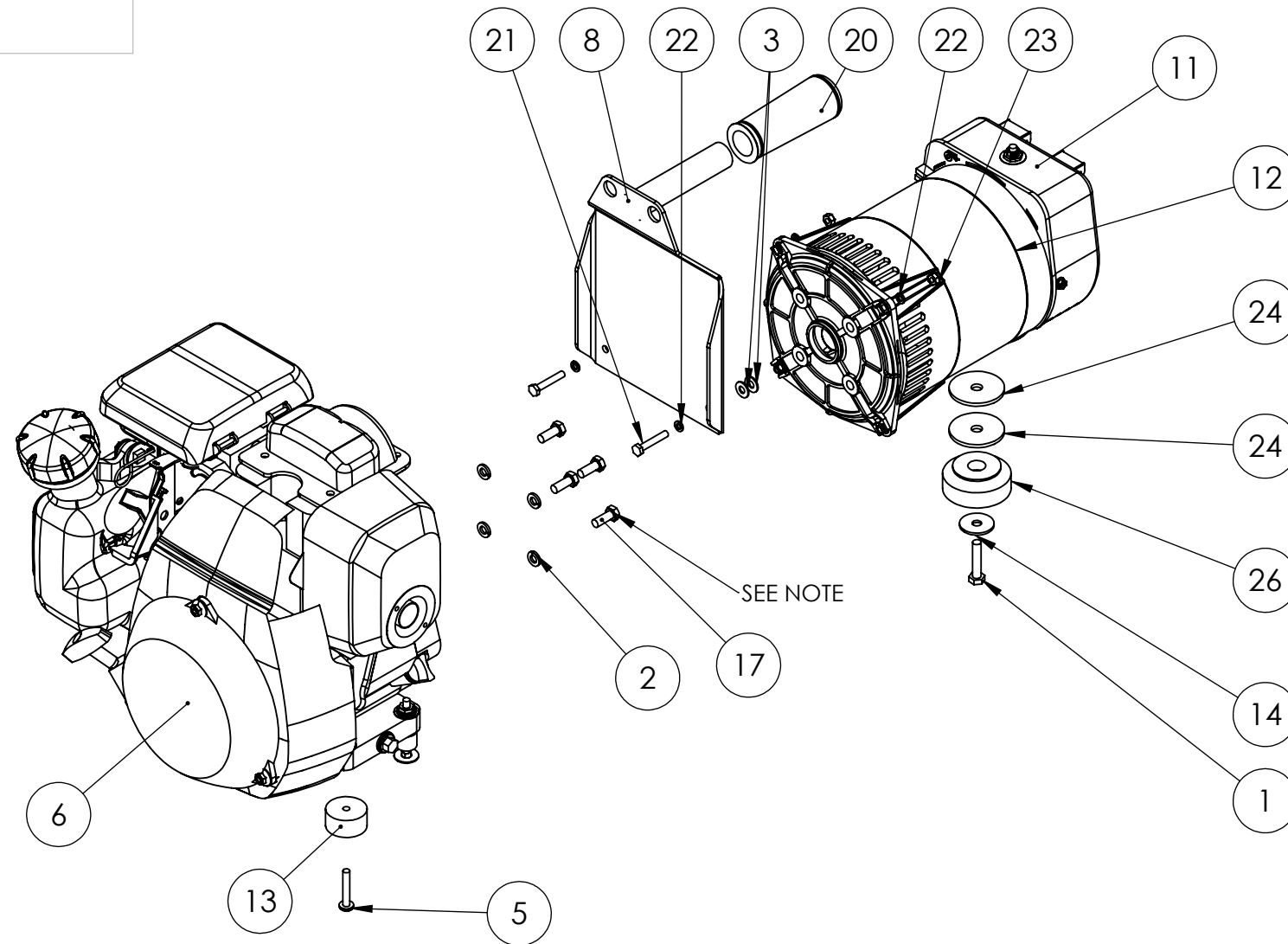


100-22091



NOTES:
 -ITEMS 480-000 AND 55576-000 ARE USED TO MOUNT THE GENERATOR TO THE ENGINE
 -TORQUE 55576-000 BOLTS AND THROUGH BOLT TO 10FT/LBS
 -TORQUE BOLTS FROM GENERATOR TO ENGINE PLATE TO 5 FT/LBS
 -ITEM 16077-700 (SHIPPING KIT) NOT SHOWN

REVISIONS					
REV	IRN	DESCRIPTION	DATE	BY	APP'D
Q	9962	ADDED 526-000	6/5/2019	SJM	DRD
R	10318	REPLACED (2) 56842-006 WITH 639-000 & ADDED DECALS	10/28/2019	SJM	
S	10755B	ADDED DECAL KIT	02/06/2020	SSB	DRC

ITEM NO.	PartNo	DESCRIPTION	QTY.
1	468-000	.3125-18X1.5 HHCS	1
2	480-000	5/16 SPLIT LOCKWASHER	4
3	512-000	.25 WASHER	4
4	526-000	FLAT WASHER 5/16_3/8	4
5	639-000	RHMS 1/4-20 X 1.5	2
6	15256-000	HONDA GC160AVXA	1
7	15366-004	END COVER ASSEMBLY	1
8	15425-004	HANDLE WELDMENT	1
9	15750-000	GROUND DECAL (WHITE LETTERS)	1
10	16077-700	SHIPPING KIT 3KW PORTABLE	1
11	16248-000	.25-20 FLANGE NUT	4
12	16346-008	GEN END 2.5KW S15W-75	1
13	20191-000	SHOCKMOUNT BLACK	2
14	23760-002	FLAT WSH. 11/32X1.25	1
15	47136-000	HEX NUT .3125-18 NYLOK	1
16	48042-001	TERMINAL, GROUND LUG, 6-14AWG	1
17	55576-000	HHCS 5/16-24X7/8 GR5	4
18	56842-006	BOLT GRG .25-20X2.50 ZINC	2
19	62825-012	SPACER .75 OD, .38 ID, .625 LONG	2
20	64325-001	VINYL HANDLE GRIP	1
21	75139-035	HHCS M6-1X35mm	2
22	93341-006	LOCKWASHER M6 ZINC	4
23	94442-002	NUT HEX M6-1.0	2
24	98806-000	WASHER .406 X 2	2
25	100059-764	BASE, SHIPPING 24 X 18 X 7/16 OSB	1
26	300212	ISOLATOR, NEOPRENE, 40 DURO	1
27	300515-2	OIL	0.63 QTS
28	16505-021	LABEL	1
29	15209-023	DECAL - INSPECT SHIPMENT	1
30	15209-026	DECAL - WARNING DO NOT STACK OVER 3 HIGH	1
31	15209-027	DECAL - DO NOT DROP	1
32	15209-029	DECAL - THIS SIDE UP	1
33	60706-220	OPR MANUAL	1
34	60710-018	TAG-OIL WARNING	1
35	15715-093	DECAL KIT, PACKAGING SMALL STACK 3	1

<p>THIS DRAWING CONTAINS PROPRIETARY INFORMATION BELONGING TO WINCO. UNAUTHORIZED USE IS PROHIBITED.</p> <p>ALL DIMENSIONS INCH</p>	DRAWN BY	DATE	CHK'D BY	DATE	ENG APPR.	DATE
	MVW	12/30/2011			DRD	5/9/18
	TOLERANCE:	+/- 0.0625 DECIMAL		TITLE:		
	MODEL:	W3000H/B		COMPLETE ASSEMBLY		
	PART: 16077-001					