

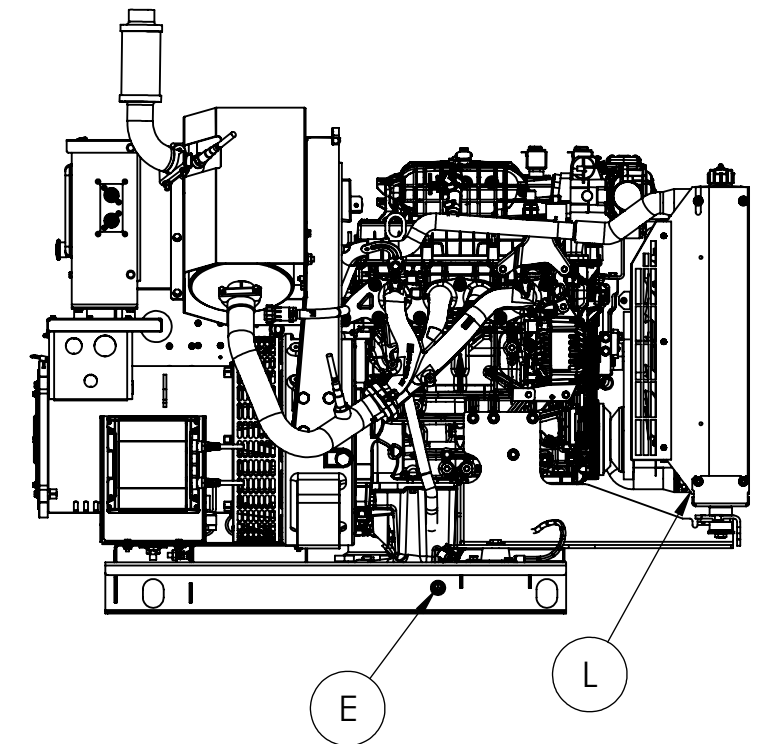
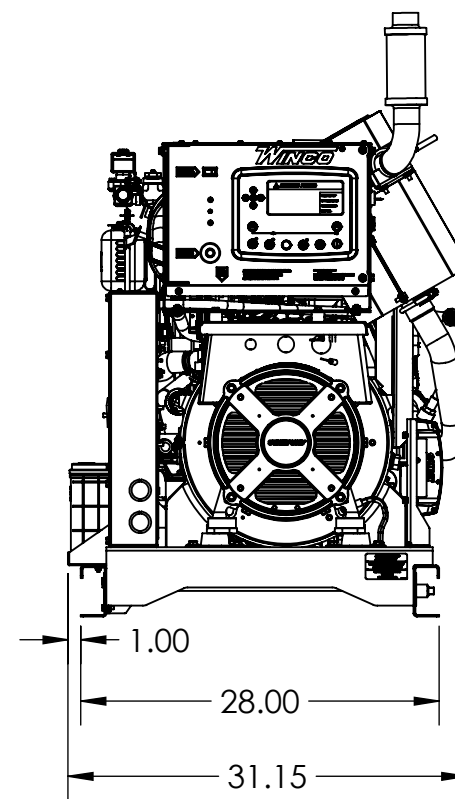
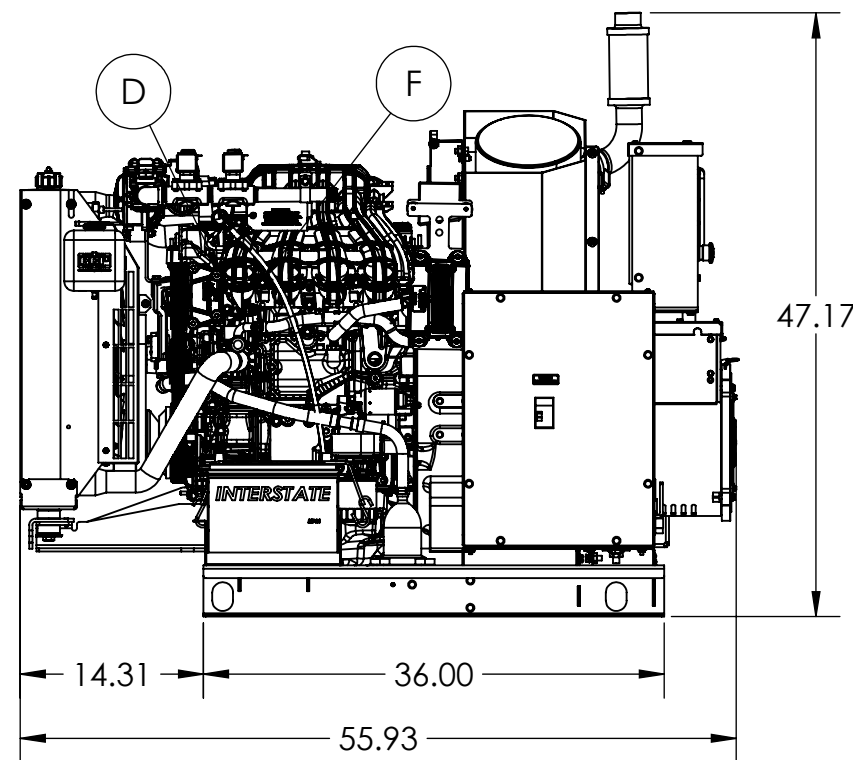
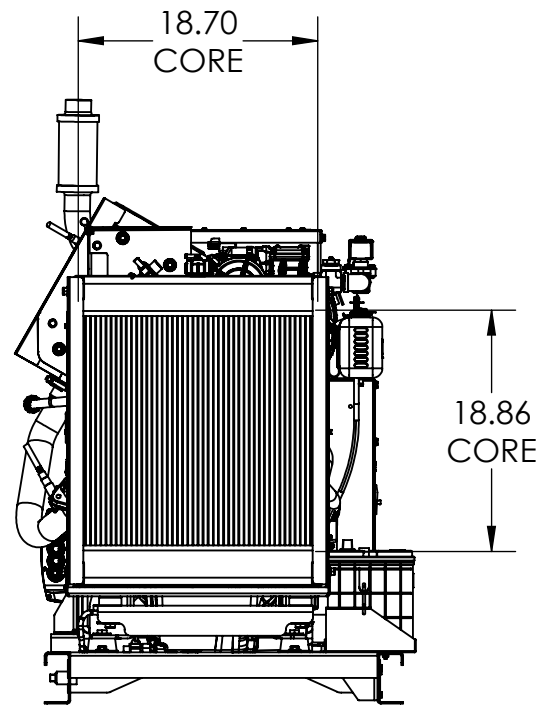
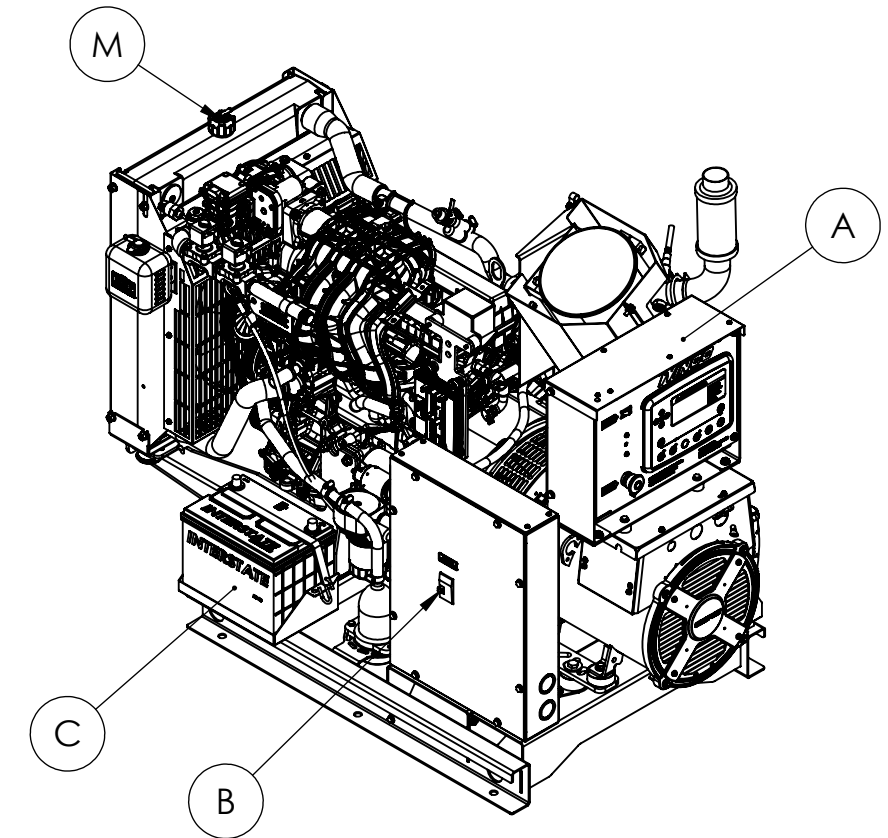
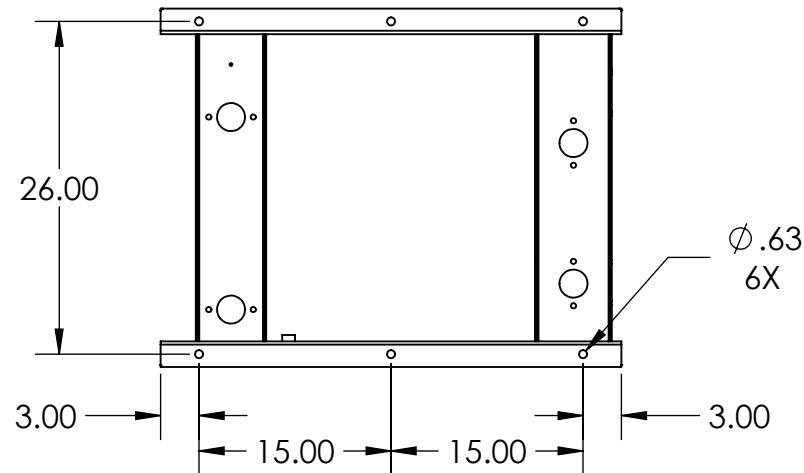
489-O

REVISIONS					
REV.	IRN	DESCRIPTION	DATE	BY	APP'D
A	CASE13588	NEW PART	9/23/2024	VP	DRC

**Key Components**

A	ENGINE CONTROL
B	MAIN LINE CIRCUIT BREAKER
C	START BATTERY
D	OIL FILL
E	OIL DRAIN
F	OIL DIPSTICK
G	OIL FILTER
H	FUEL FILTER
I	FUEL IN
J	FUEL RETURN
K	AIR FILTER
L	COOLANT DRAIN
M	COOLANT FILL

**MOUNTING HOLES BOTTOM VIEW**



THIS DRAWING CONTAINS PROPRIETARY INFORMATION BELONGING TO WINCO. UNAUTHORIZED USE IS PROHIBITED.	TOLERANCE:	+/- 0.0625 DECIMAL +/- 1 DEG ANGULAR	TITLE: <b>OUTLINE DRAWING PSS30 NARROW BASE</b>
	WEIGHT:	LBS	
	MODEL:	PSS30	PART: O-587
ALL DIMENSIONS INCH ALL WEIGHT POUNDS	<b>WINCO</b> ®		1 of 1