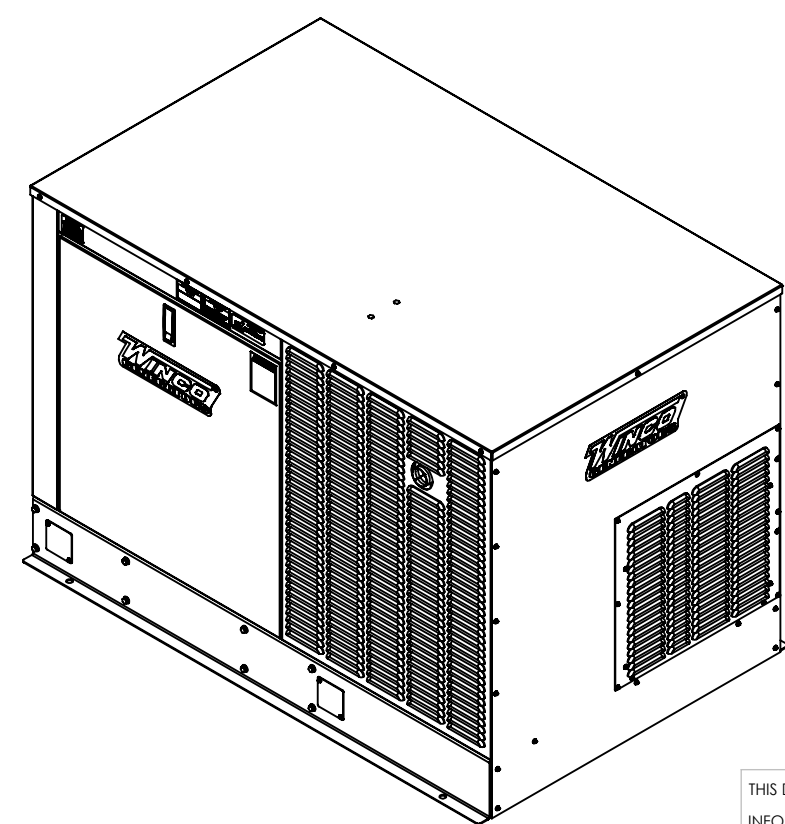
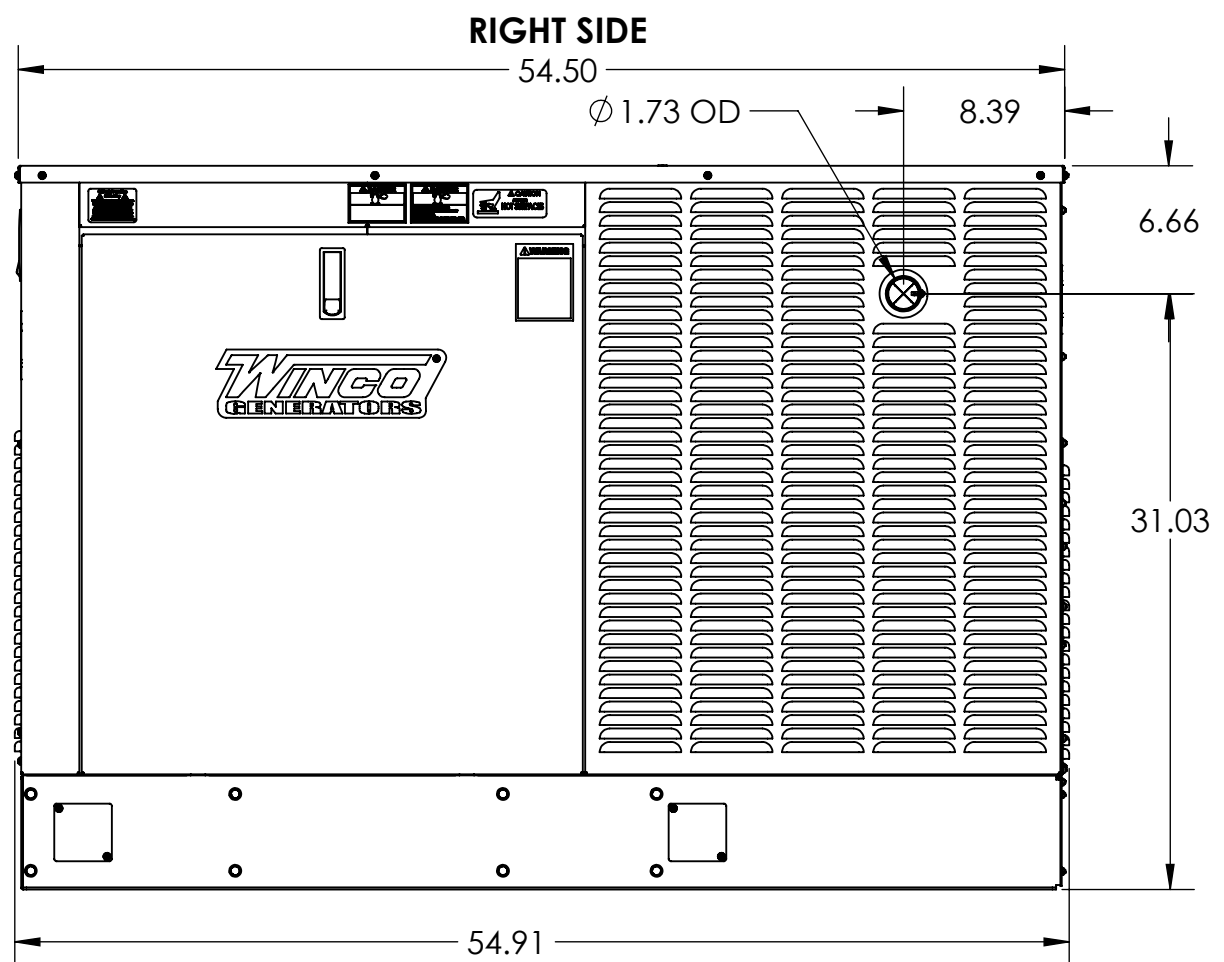
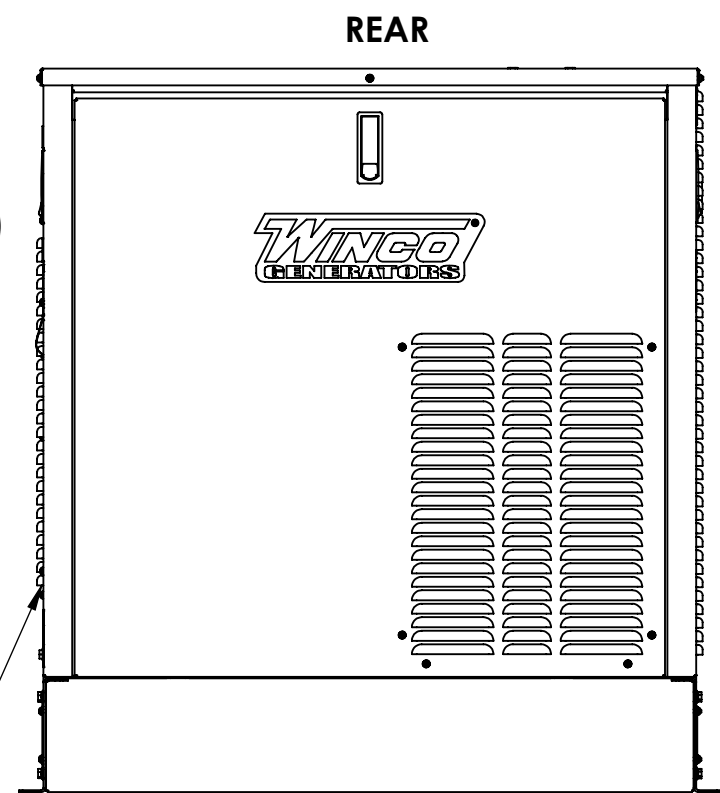
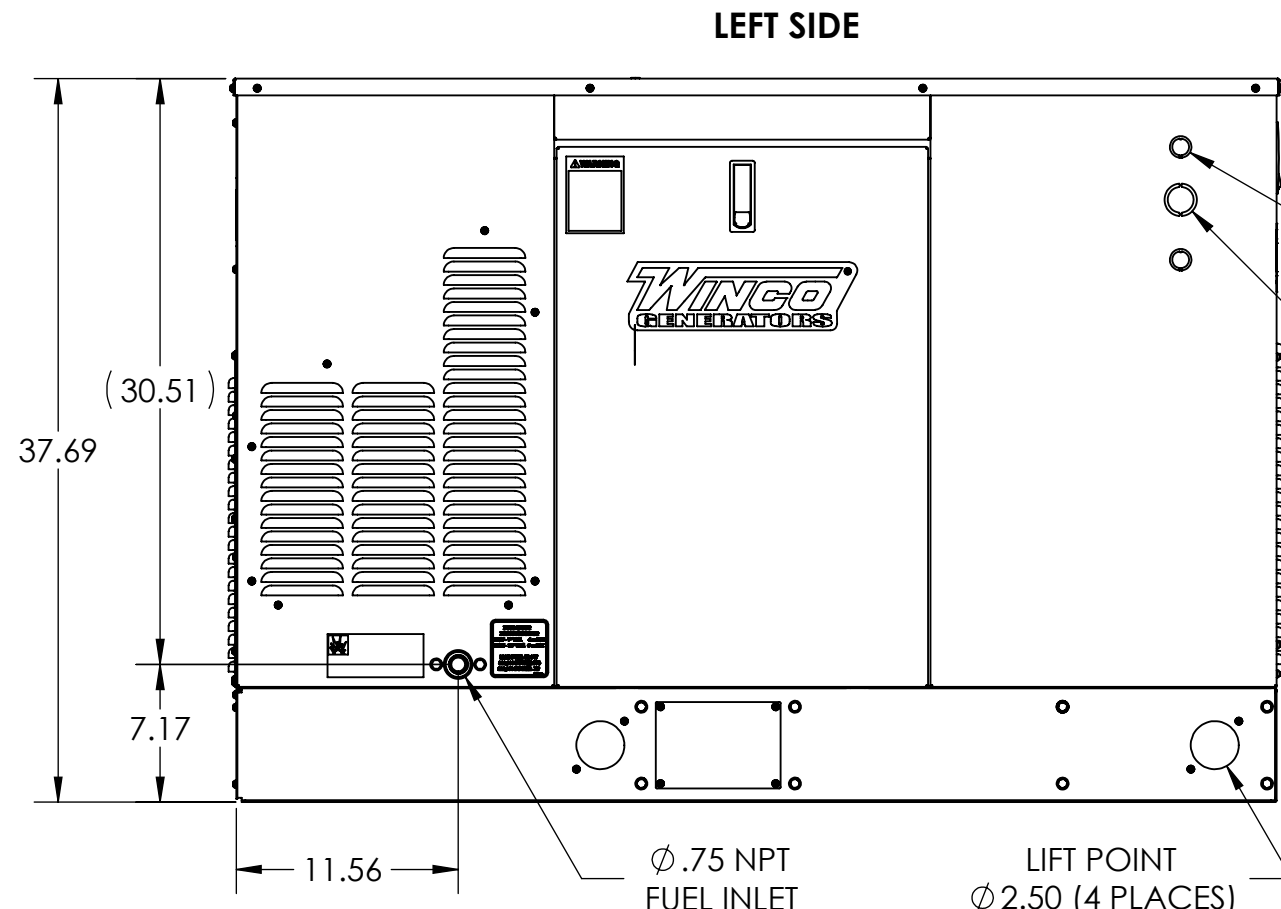
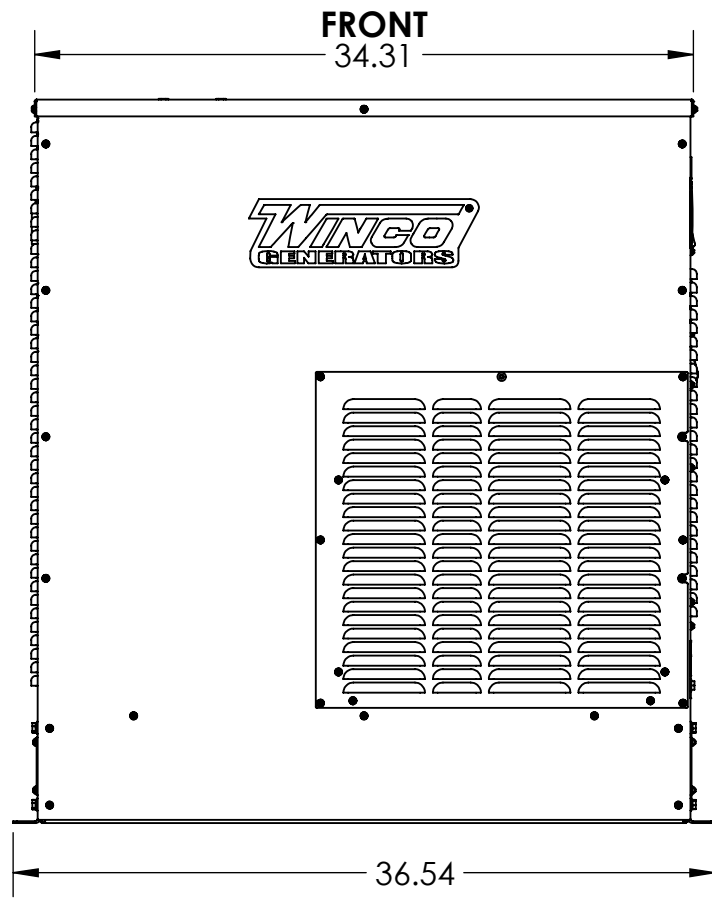


975-O

REVISIONS					
REV.	IRN	DESCRIPTION	DATE	BY	APP'D
A	P363	INITIAL RELEASE	06/01/2023	VP	



APPROX. WEIGHT: 878 LBS

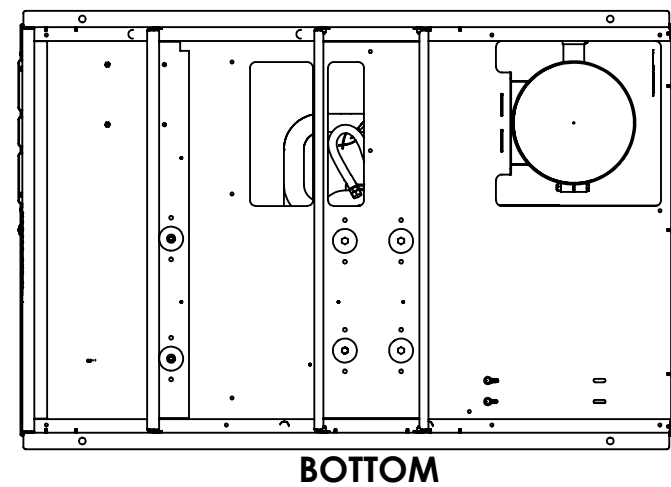
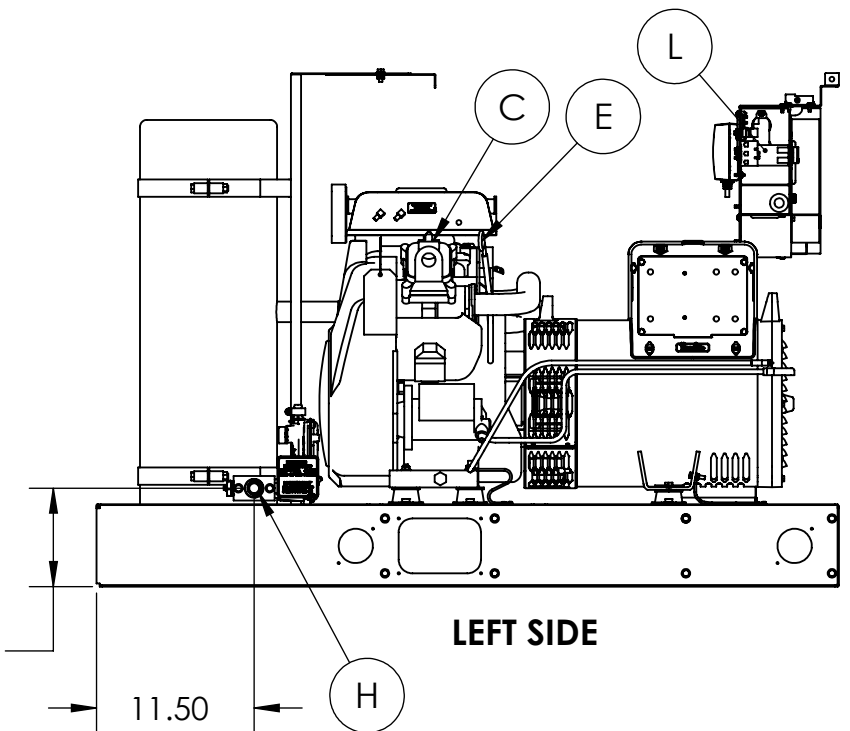
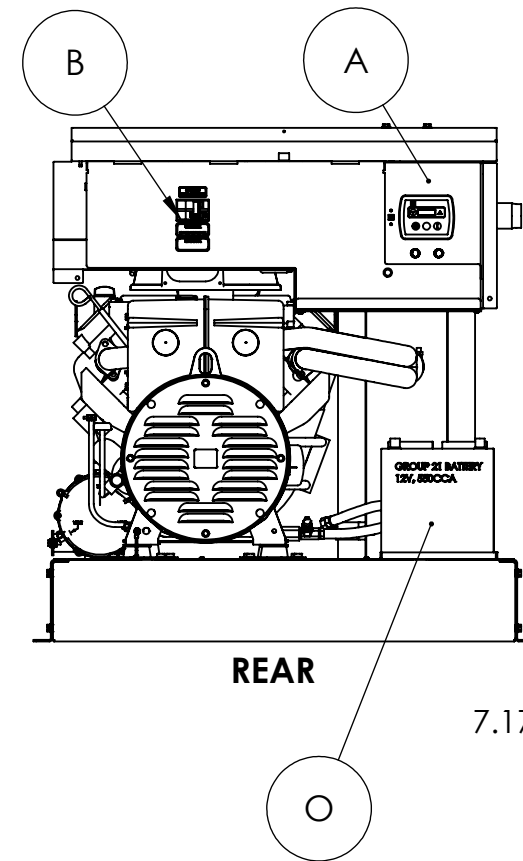
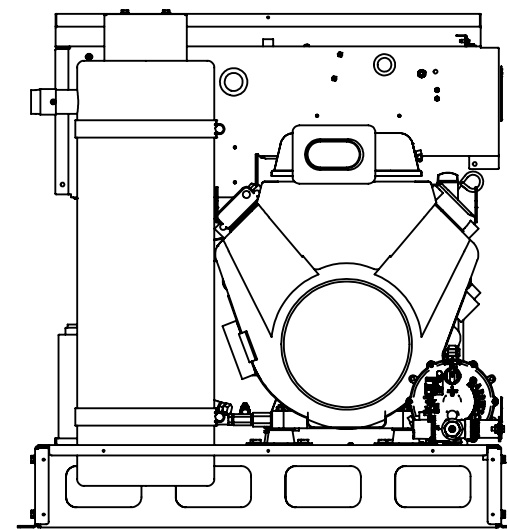
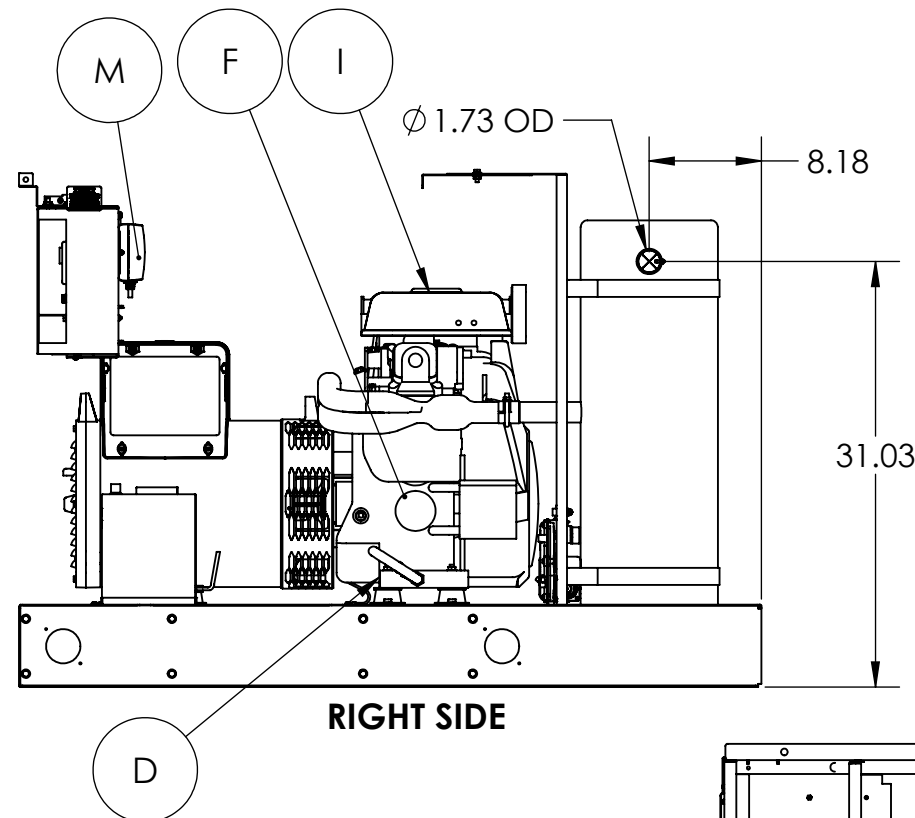
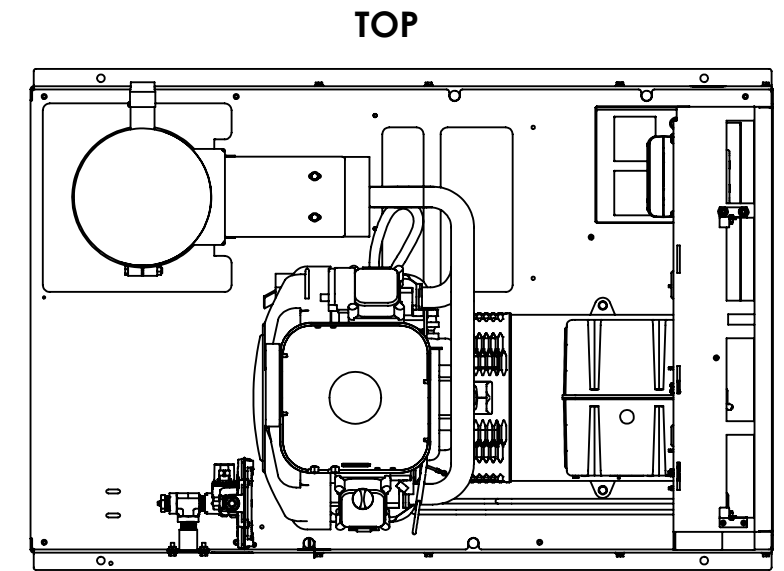
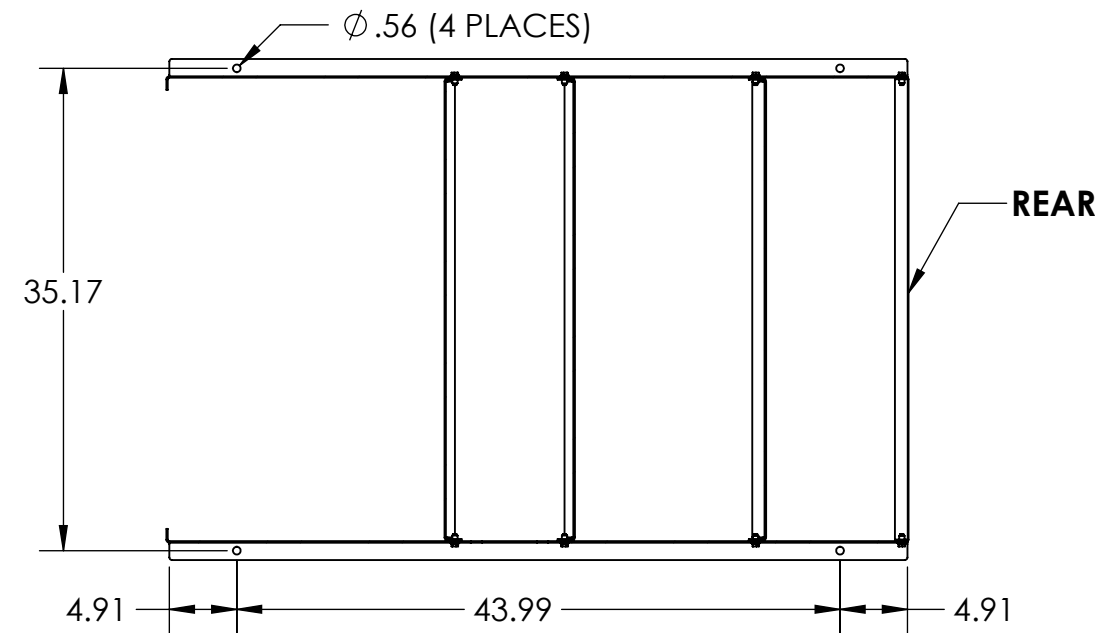
THIS DRAWING CONTAINS PROPRIETARY INFORMATION BELONGING TO WINCO. UNAUTHORIZED USE IS PROHIBITED.	TOLERANCE:	+/- 0.0625 DECIMAL +/- 1 DEG ANGULAR	TITLE:	OUTLINE DRAWING
	WEIGHT:	LBS	PART: O-576	
	MODEL:	PSS20B2W/D		
ALL DIMENSIONS INCH ALL WEIGHT POUNDS	WINCO ®			

929-O

TOP VIEW HOLE PATTERN

REVISIONS					
REV.	IRN	DESCRIPTION	DATE	BY	APP'D
A	P363	INITIAL RELEASE	06/01/2023	VP	

KEY COMPONENTS	
A	ENGINE CONTROL
B	MAIN LINE CIRCUIT BREAKER
C	OIL FILL
D	OIL DRAIN
E	OIL DIPSTICK
F	OIL FILTER
H	FUEL INLET
I	AIR FILTER
L	AVR
M	BATTERY CHARGER
O	BATTERY



HOUSING HIDDEN FROM VIEWS TO SHOW DETAIL

THIS DRAWING CONTAINS PROPRIETARY INFORMATION BELONGING TO WINCO. UNAUTHORIZED USE IS PROHIBITED.	TOLERANCE:	+/- 0.0625 DECIMAL +/- 1 DEG ANGULAR	TITLE:	OUTLINE DRAWING
	WEIGHT:	LBS	PART: O-576	
	MODEL:	PSS20B2W/D		
ALL DIMENSIONS INCH ALL WEIGHT POUNDS	WINCO ®			