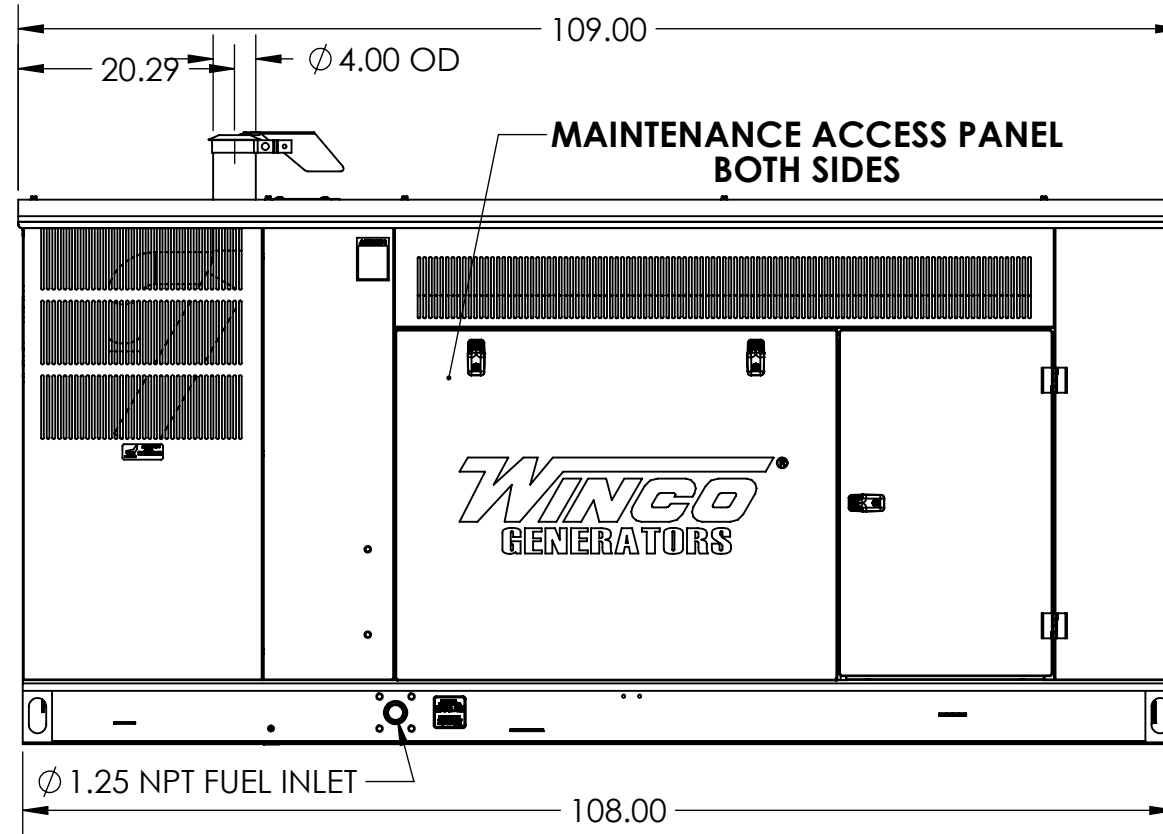
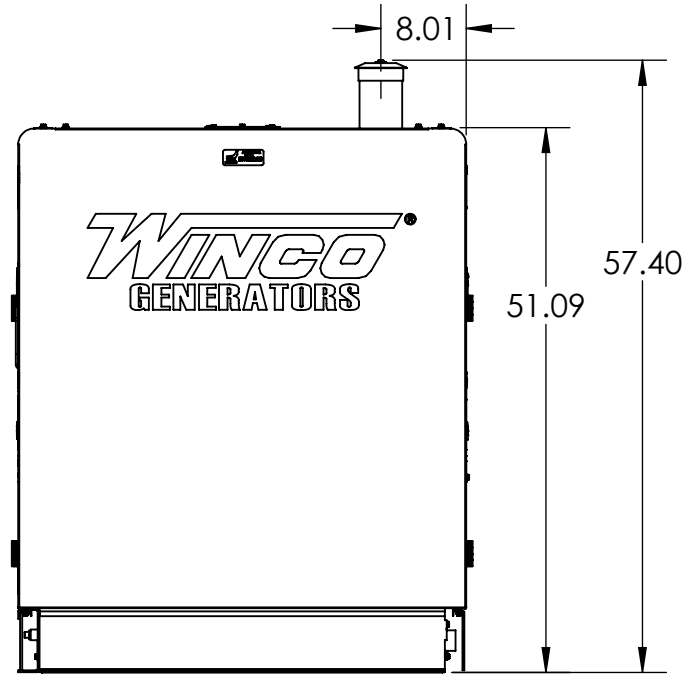


955-O

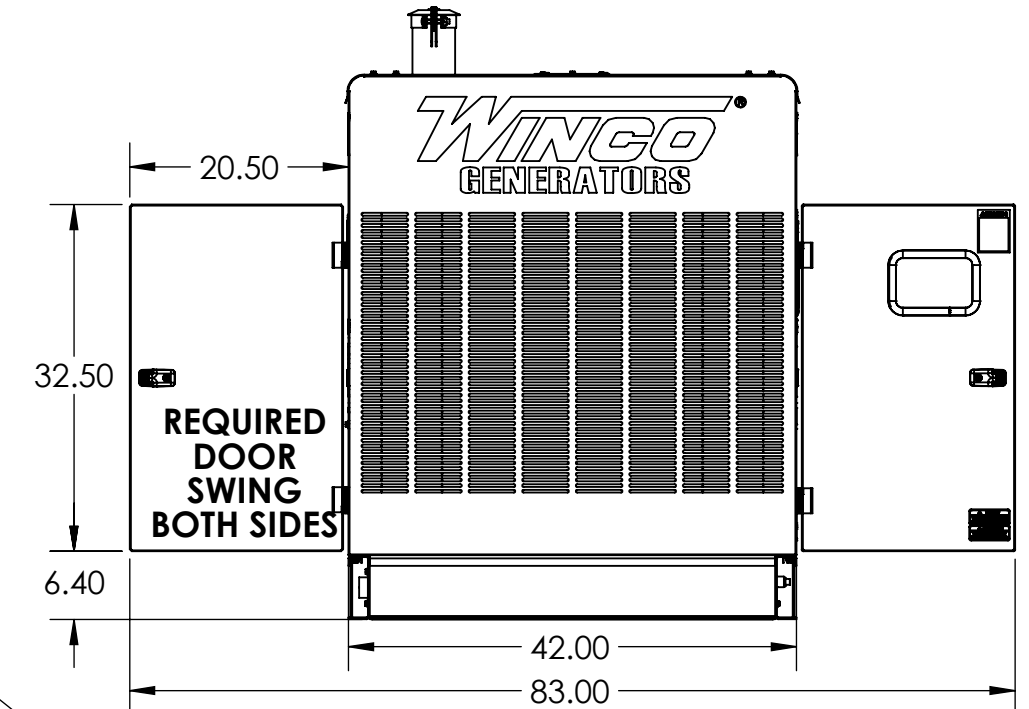
| REVISIONS | | | | | |
|-----------|-------|-------------|------------|-----|-------|
| REV. | IRN | DESCRIPTION | DATE | BY | APP'D |
| A | PSS60 | NEW RELEASE | 10/11/2021 | MCB | DRC |

LEFT SIDE

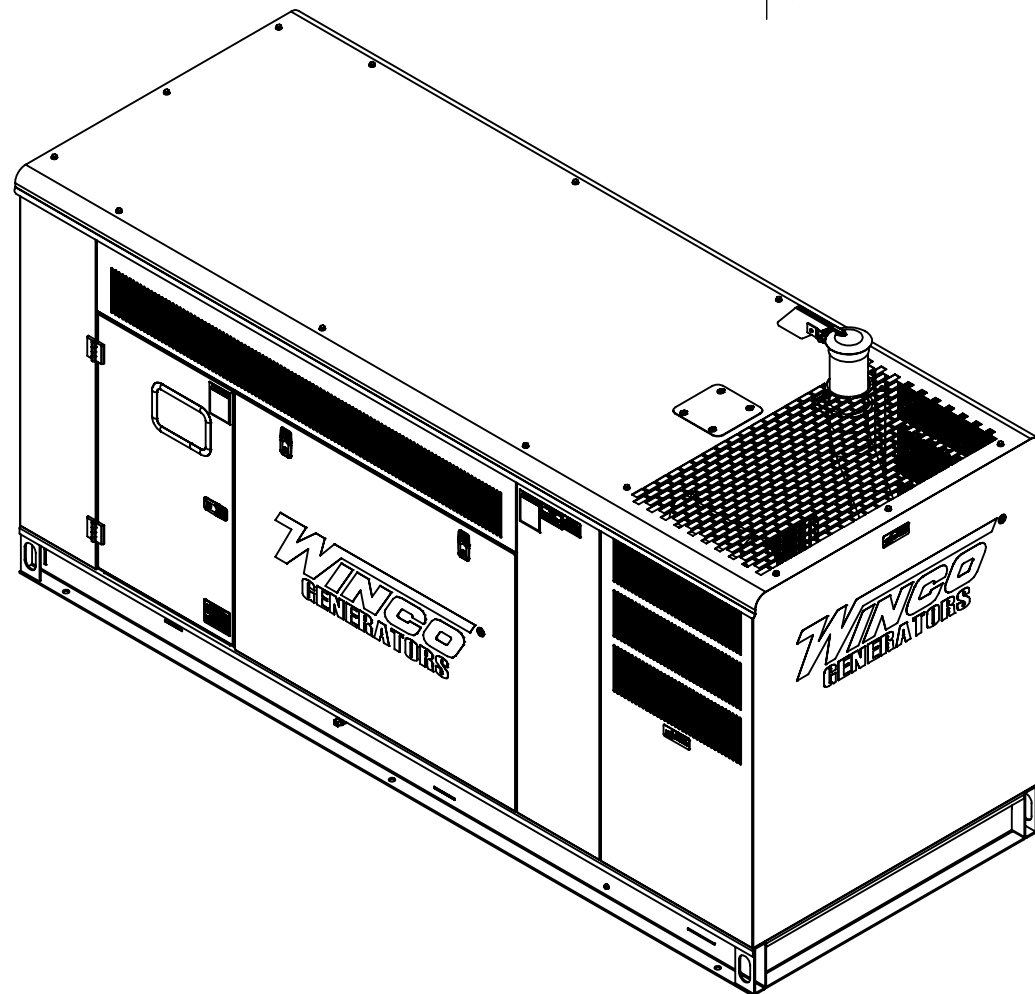
FRONT



REAR



LIFT POINT
 \varnothing 1.63 X 3.30 (4 PLACES)



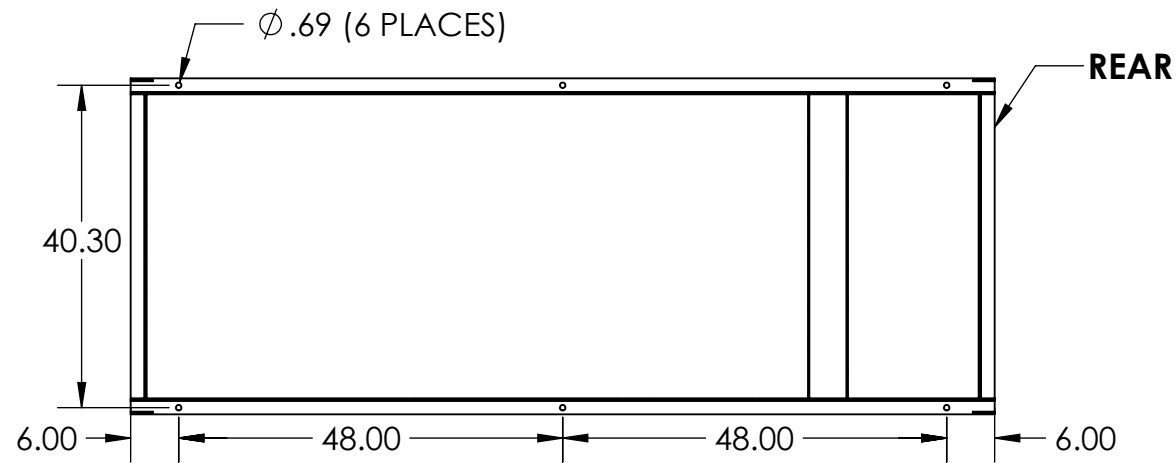
HOUSED APPROX. WEIGHT: 2390 LBS

| | | | | | | |
|--|------------|--------------------|----------|-----------------|-----------|------------|
| THIS DRAWING CONTAINS PROPRIETARY INFORMATION BELONGING TO WINCO. UNAUTHORIZED USE IS PROHIBITED. ALL DIMENSIONS INCH | DRAWN BY | DATE | CHK'D BY | DATE | ENG APPR. | DATE |
| | PAK | 11/24/2020 | --- | --/--/--- | PAK | 07/23/2020 |
| | TOLERANCE: | +/- 0.0625 DECIMAL | | TITLE: | | |
| | MODEL: | +/- 1 DEG ANGULAR | | OUTLINE DRAWING | | |
| | WINGCO® | PART: | O-556 | 1 of 2 | | |

999-O

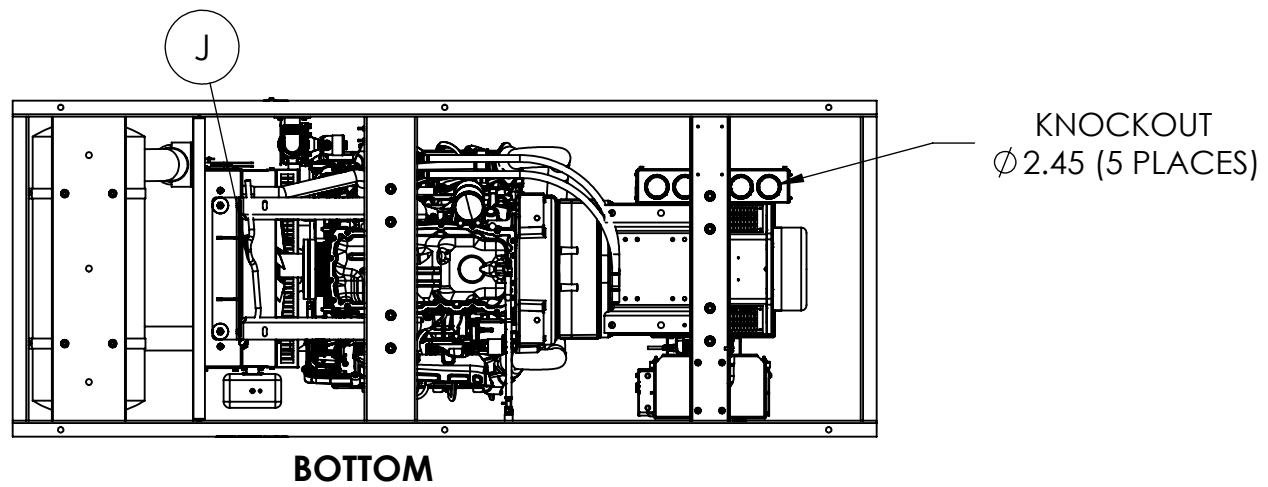
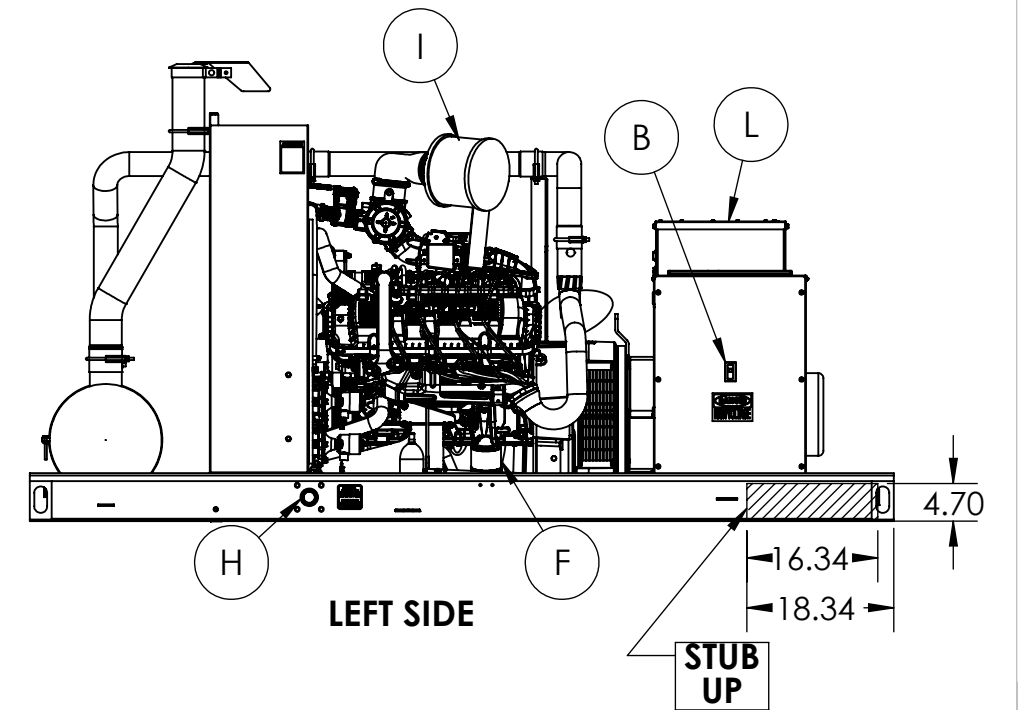
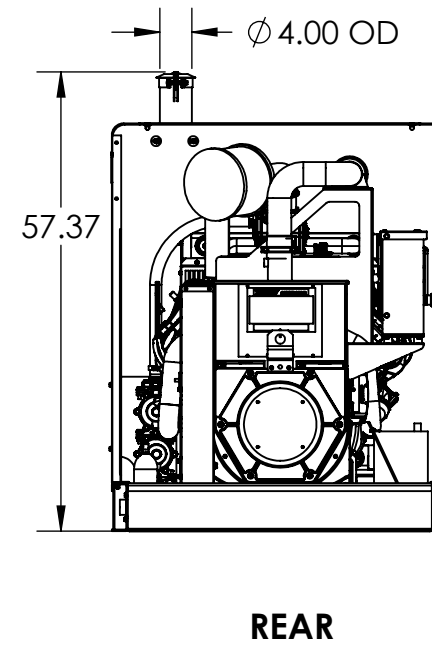
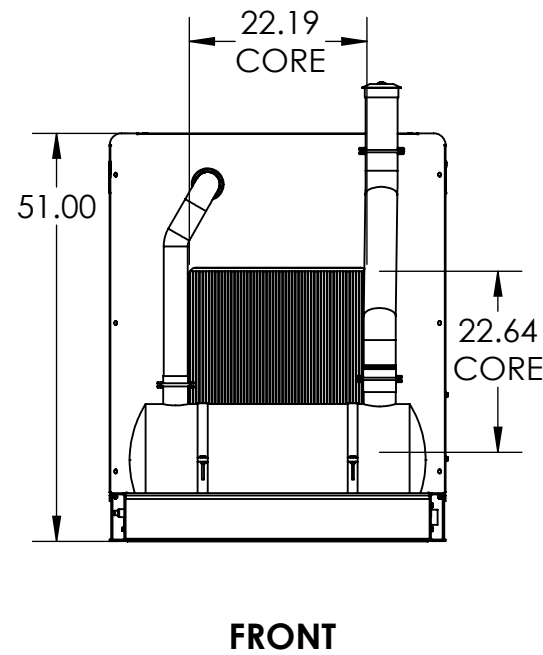
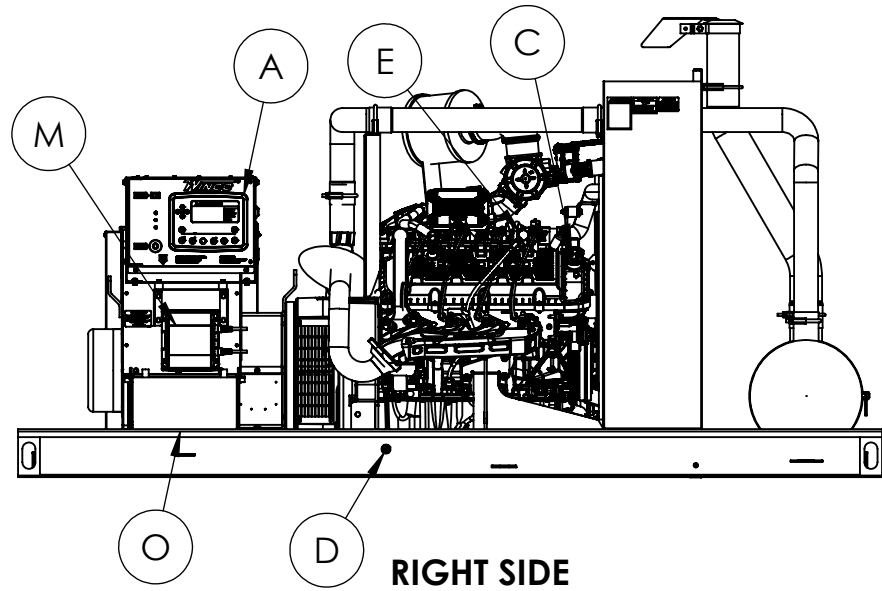
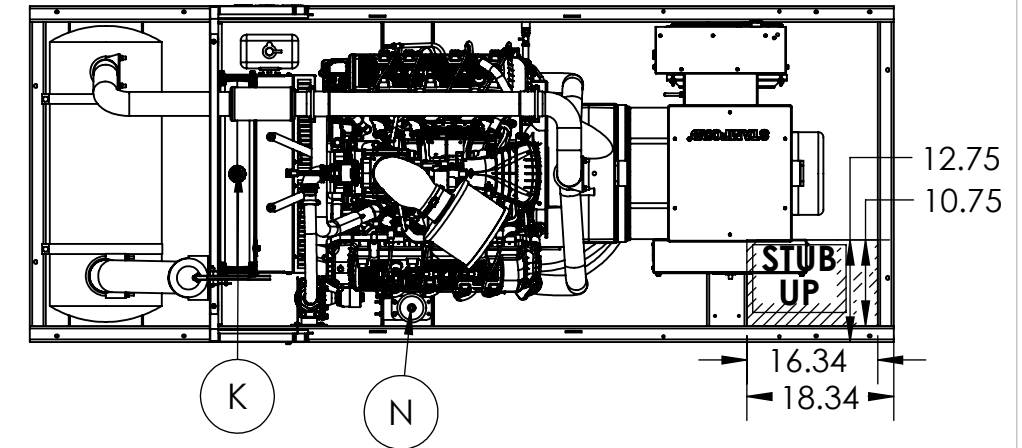
| KEY COMPONENTS | |
|----------------|---------------------------|
| A | ENGINE CONTROL |
| B | MAIN LINE CIRCUIT BREAKER |
| C | OIL FILL |
| D | OIL DRAIN |
| E | OIL DIPSTICK |
| F | OIL FILTER |
| H | FUEL INLET |
| I | AIR FILTER |
| J | COOLANT DRAIN |
| K | COOLANT FILL |
| L | AVR |
| M | BATTERY CHARGER |
| N | BLOCK HEATER |
| O | BATTERY |



TOP VIEW HOLE PATTERN



| REVISIONS | | | | | |
|-----------|-------|-------------|------------|-----|-------|
| REV. | IRN | DESCRIPTION | DATE | BY | APP'D |
| A | PSS60 | NEW RELEASE | 10/11/2021 | MCB | DRC |

TOP



| | | | | | | |
|---|---|--------------------|----------|------------------------|-----------|------------|
|  THIS DRAWING CONTAINS PROPRIETARY INFORMATION BELONGING TO WINCO. UNAUTHORIZED USE IS PROHIBITED. ALL DIMESNIONS INCH | DRAWN BY | DATE | CHK'D BY | DATE | ENG APPR. | DATE |
| | TDS | 7/20/2021 | | | PAK | 07/23/2020 |
| | TOLERANCE: | +/- 0.0625 DECIMAL | | TITLE: OUTLINE DRAWING | | |
| | | +/- 1 DEG ANGULAR | | | | |
| | MODEL: | PSS60 | | PART: O-556 | | |
| |  | | | | 2 of 2 | |