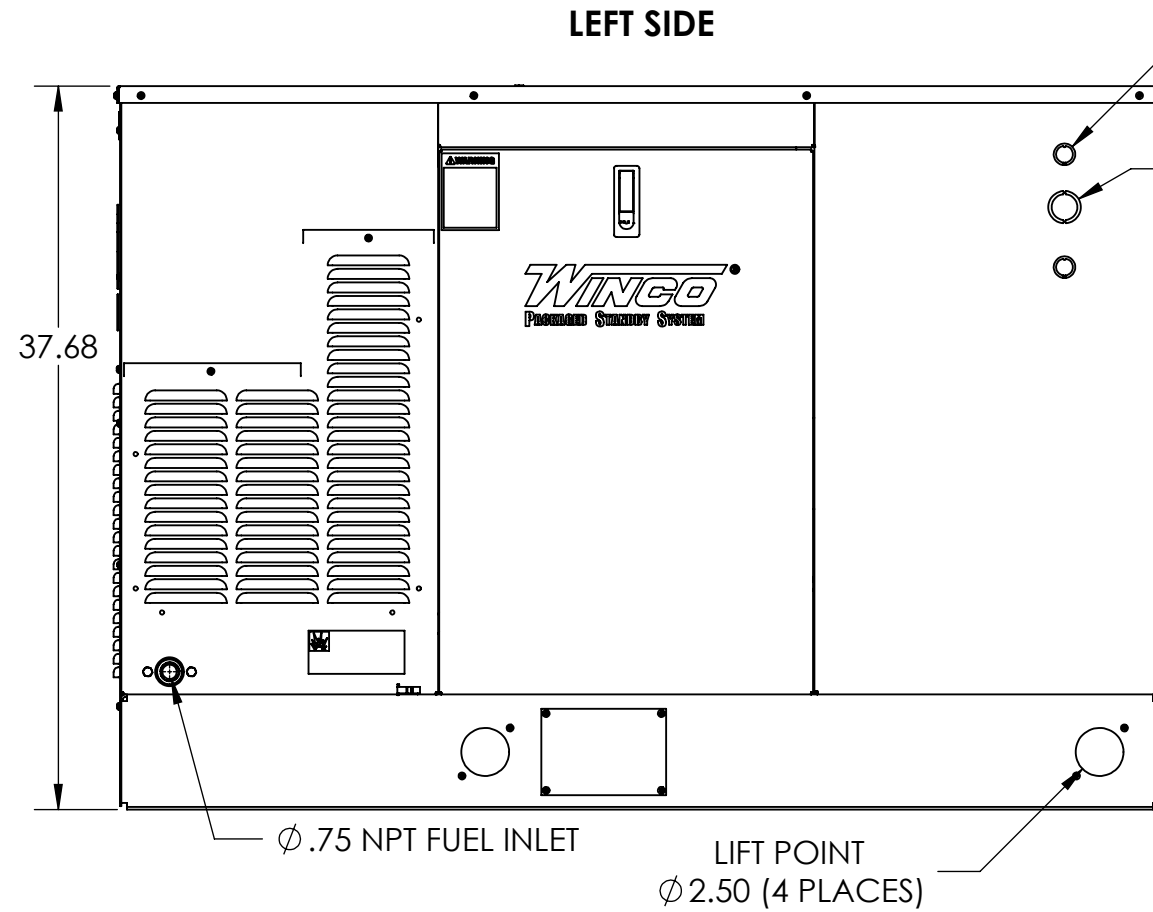
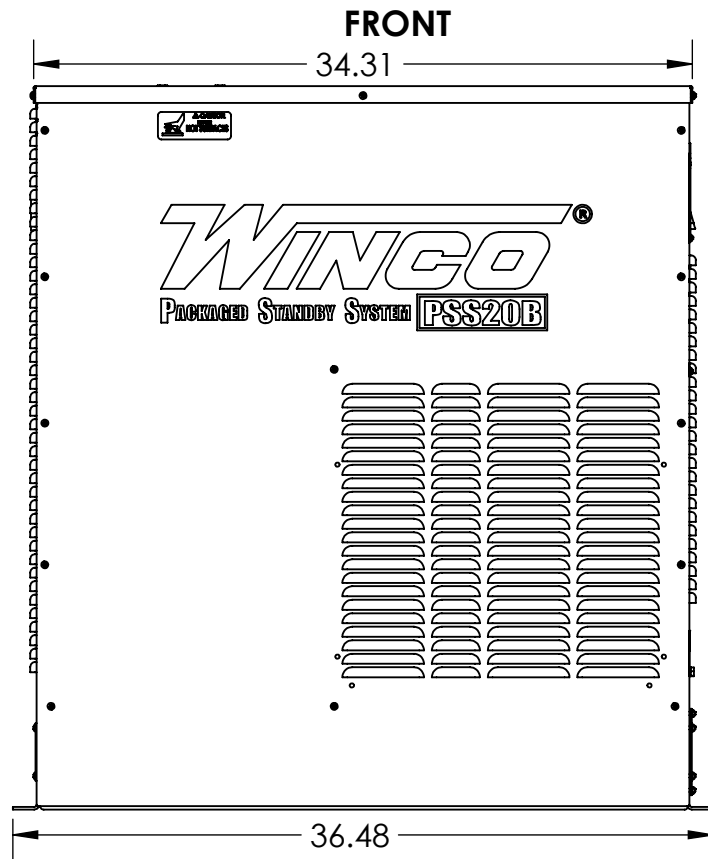


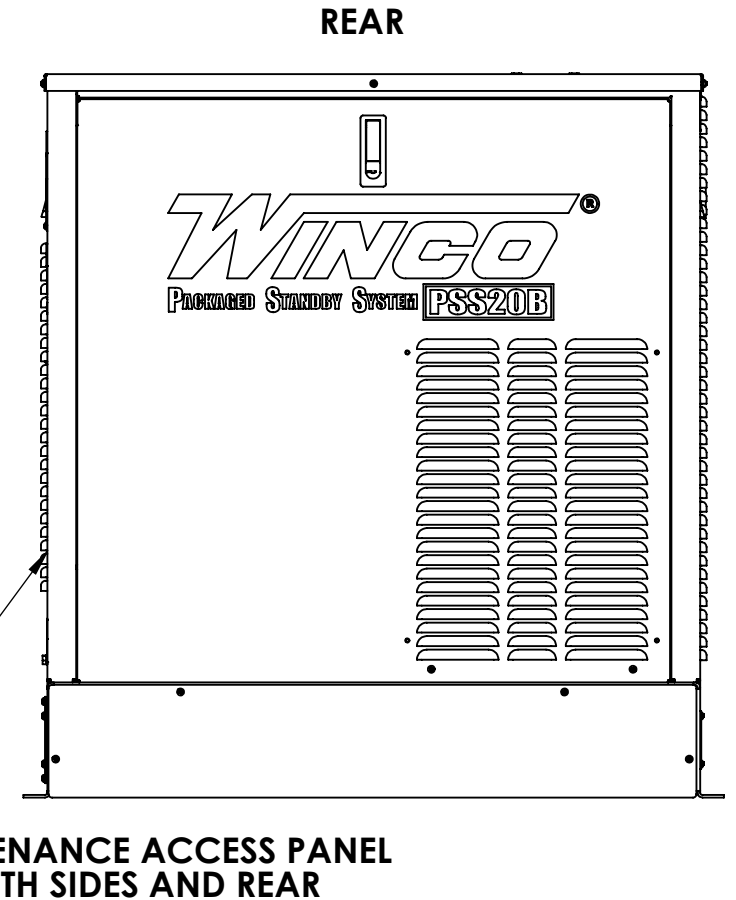
O-543

REVISIONS					
REV.	IRN	DESCRIPTION	DATE	BY	APP'D
A	PSS20	UPDATED OUTLINE DRAWING STANDARDS	1/6/2021	MCB	DRC



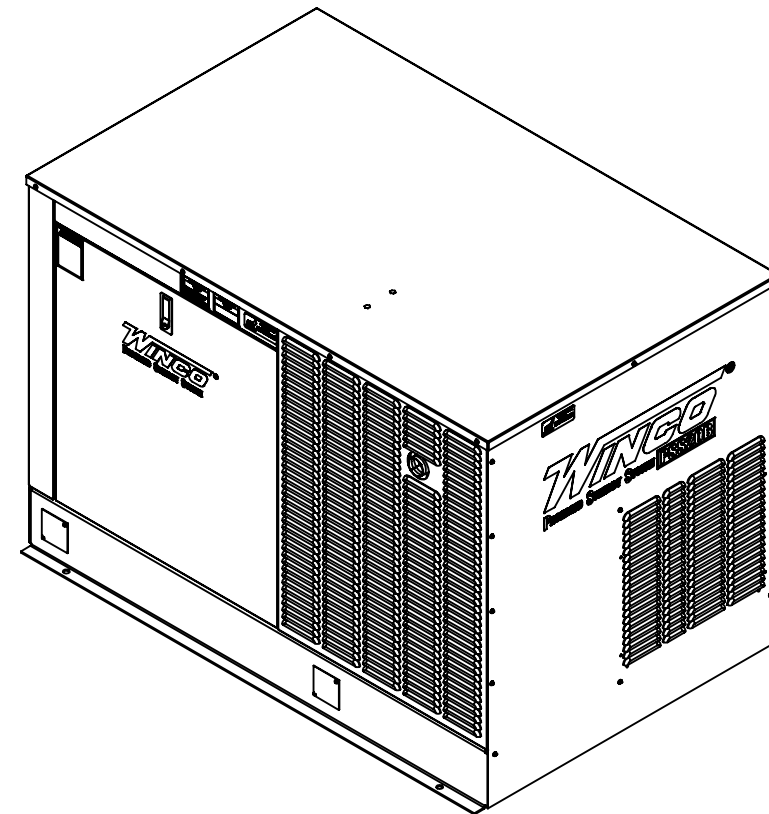
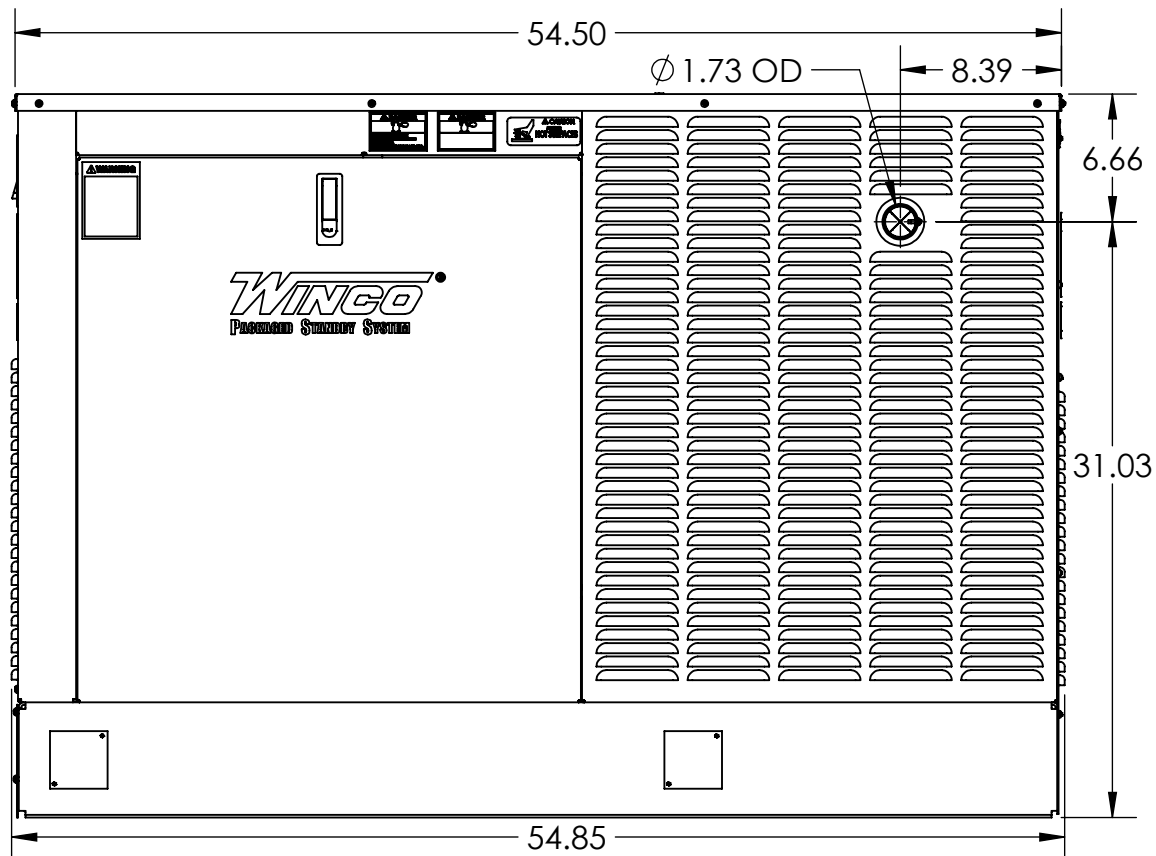
KNOCKOUT  
Ø 1.13 (4 PLACES)

KNOCKOUT  
Ø 1.69 (2 PLACES)



MAINTENANCE ACCESS PANEL  
BOTH SIDES AND REAR

RIGHT SIDE



APPROX. WEIGHT: 880 LBS

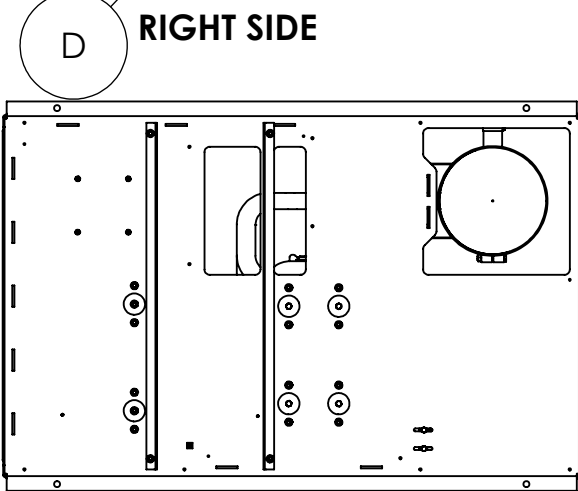
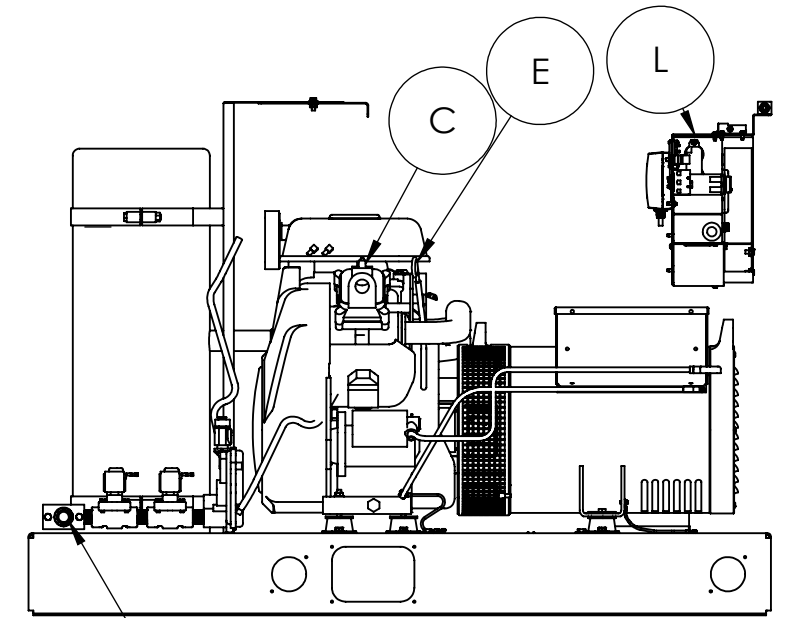
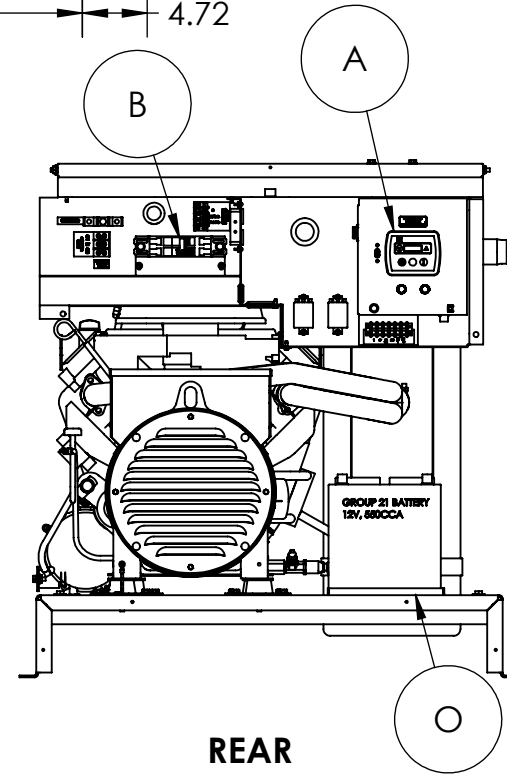
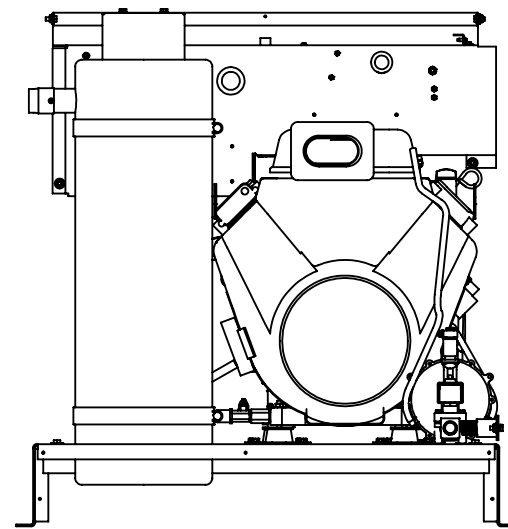
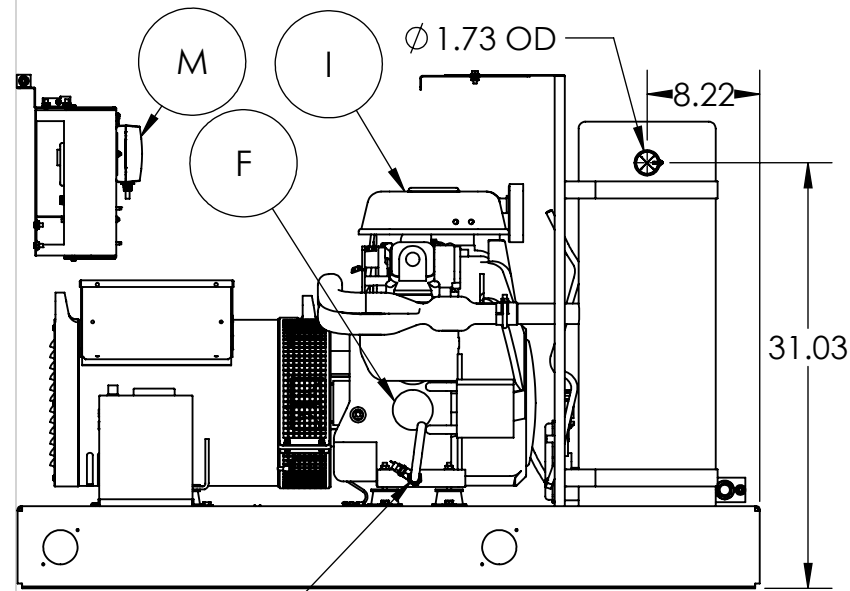
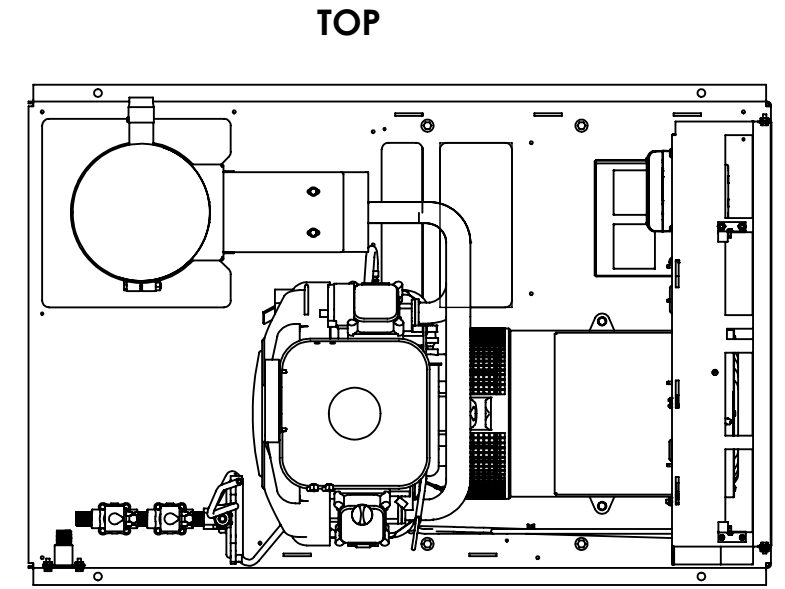
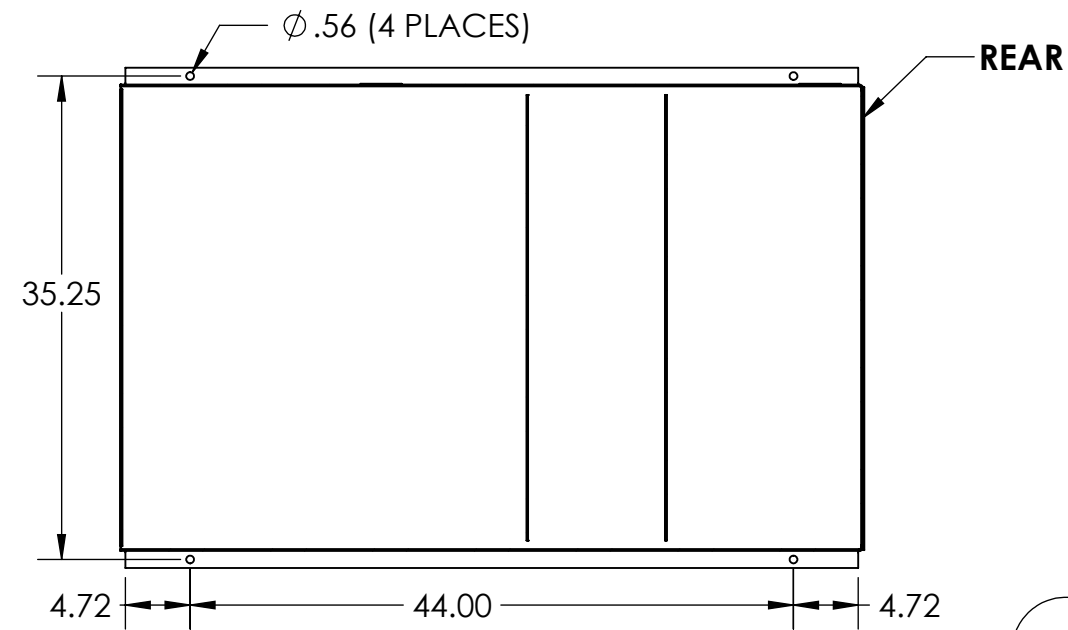
 THIS DRAWING CONTAINS PROPRIETARY INFORMATION BELONGING TO WINCO. UNAUTHORIZED USE IS PROHIBITED. ALL DIMENSIONS INCH	DRAWN BY	DATE	CHK'D BY	DATE	ENG APPR.	DATE
	PAK	11/24/2020	---	--/------	PAK	07/23/2020
	TOLERANCE:	+/- 0.0625 DECIMAL		TITLE:		
		+/- 1 DEG ANGULAR		OUTLINE DRAWING		
	MODEL:	PSS20		PART: O-543 1 of 2		

**0-543**

KEY COMPONENTS	
A	ENGINE CONTROL
B	MAIN LINE CIRCUIT BREAKER
C	OIL FILL
D	OIL DRAIN
E	OIL DIPSTICK
F	OIL FILTER
H	FUEL INLET
I	AIR FILTER
L	AVR
M	BATTERY CHARGER
O	BATTERY

REVISIONS					
REV.	IRN	DESCRIPTION	DATE	BY	APP'D
A	PSS20	UPDATED OUTLINE DRAWING STANDARDS	1/6/2021	MCB	DRC

# TOP VIEW HOLE PATTERN



FRONT

REAR

LEFT SIDE

**HOUSING HIDDEN FROM VIEWS TO SHOW DETAIL**

<p>THIS DRAWING CONTAINS PROPRIETARY INFORMATION BELONGING TO WINCO. UNAUTHORIZED USE IS PROHIBITED.</p> <p>ALL DIMESNIONS INCH</p>	DRAWN BY	DATE	CHK'D BY	DATE	ENG APPR.	DATE
	SJM	2/4/2015			PAK	07/23/2020
	TOLERANCE:	+/- 0.0625 DECIMAL		TITLE:		
	MODEL:	+/- 1 DEG ANGULAR		OUTLINE DRAWING		
	PSS20				PART:	O-543
						2 of 2