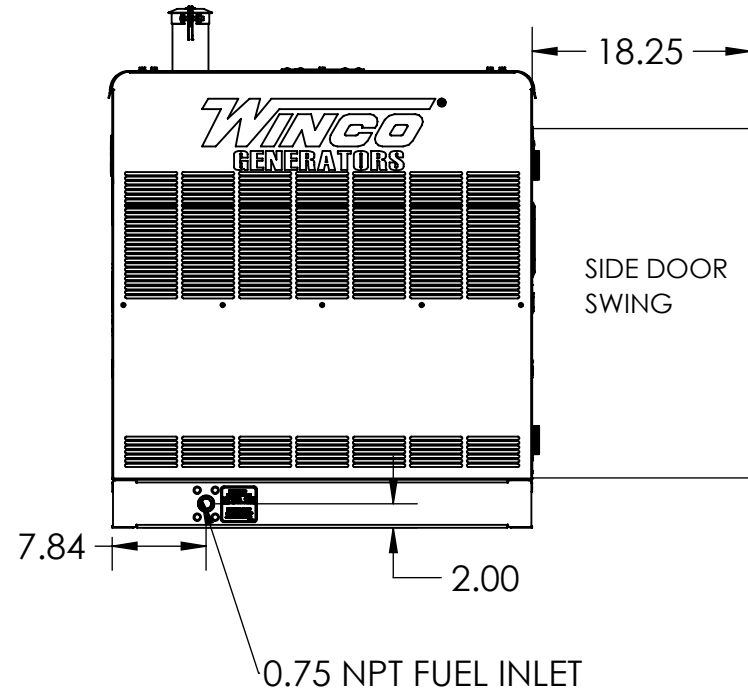


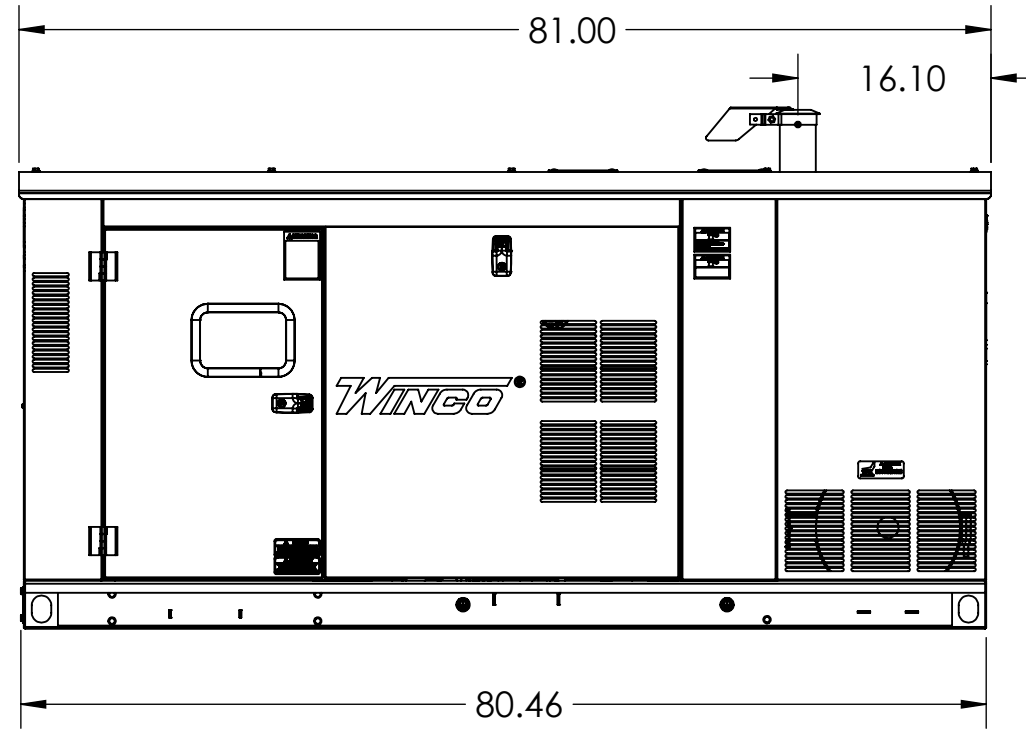
039-O

REVISIONS					
REV.	IRN	DESCRIPTION	DATE	BY	APP'D
A	P321	ORIGINAL	3/6/2020	TDS	PAK
B	CA11791	UPDATE DESCRIPTION ON PAGE 2	11/10/2020	TDS	PAK

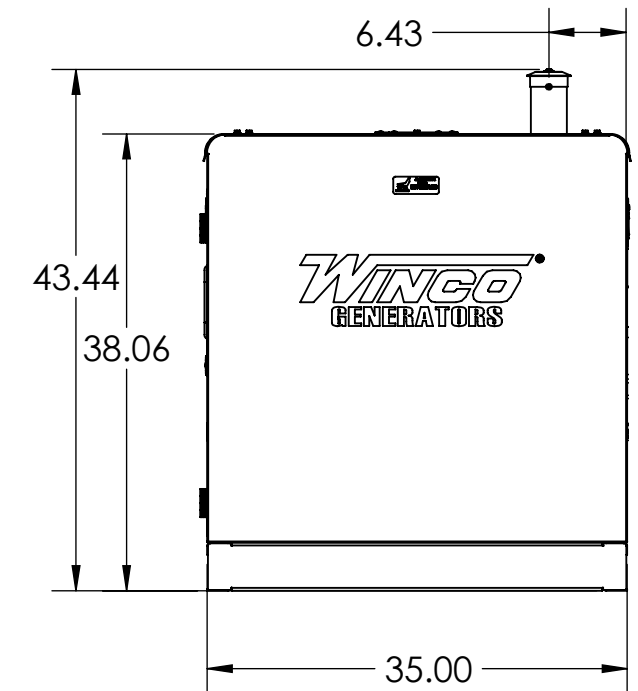
BACK



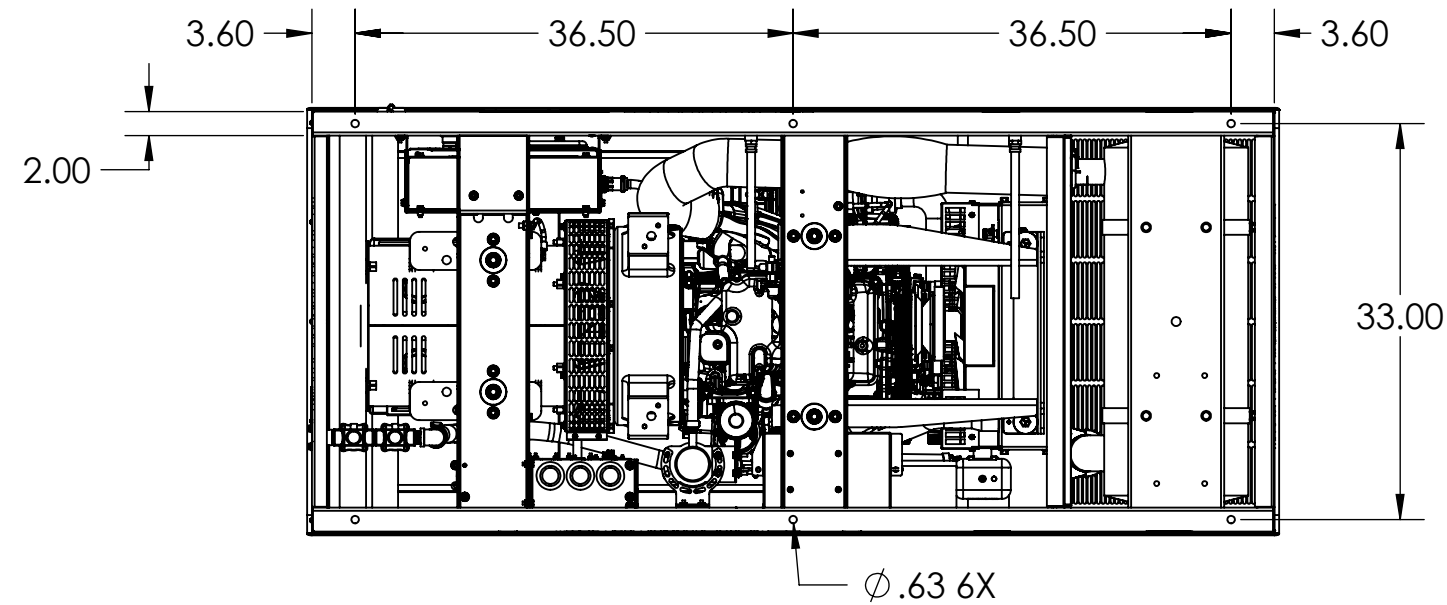
RIGHT SIDE





FRONT



BOTTOM



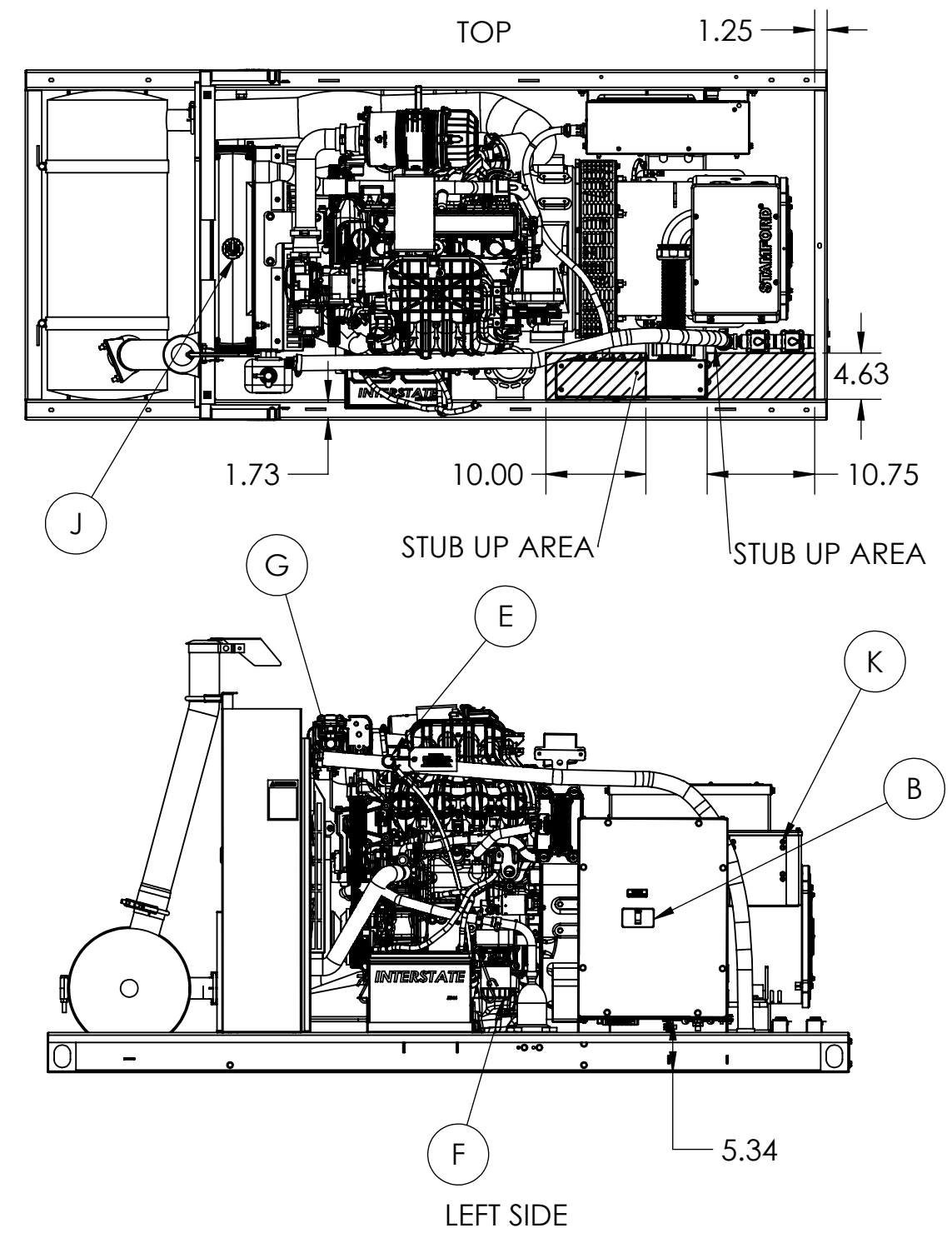
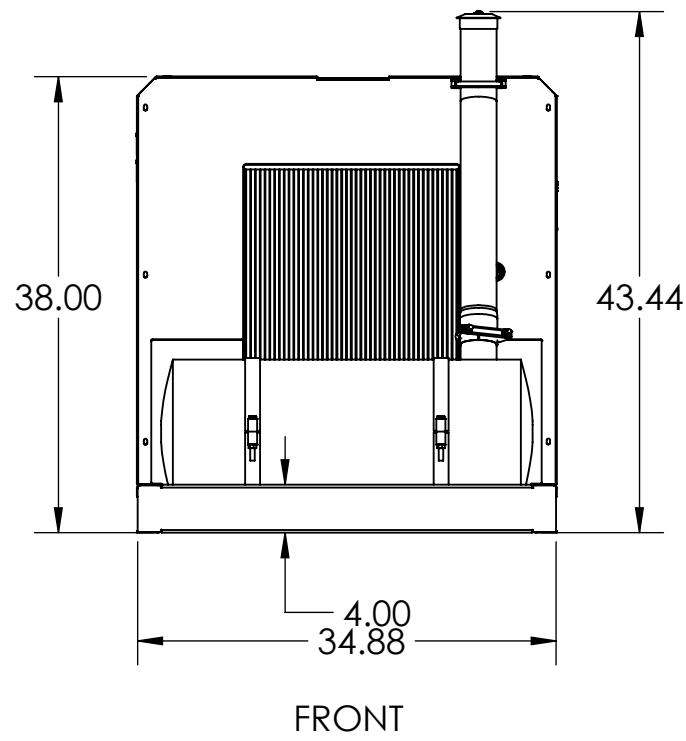
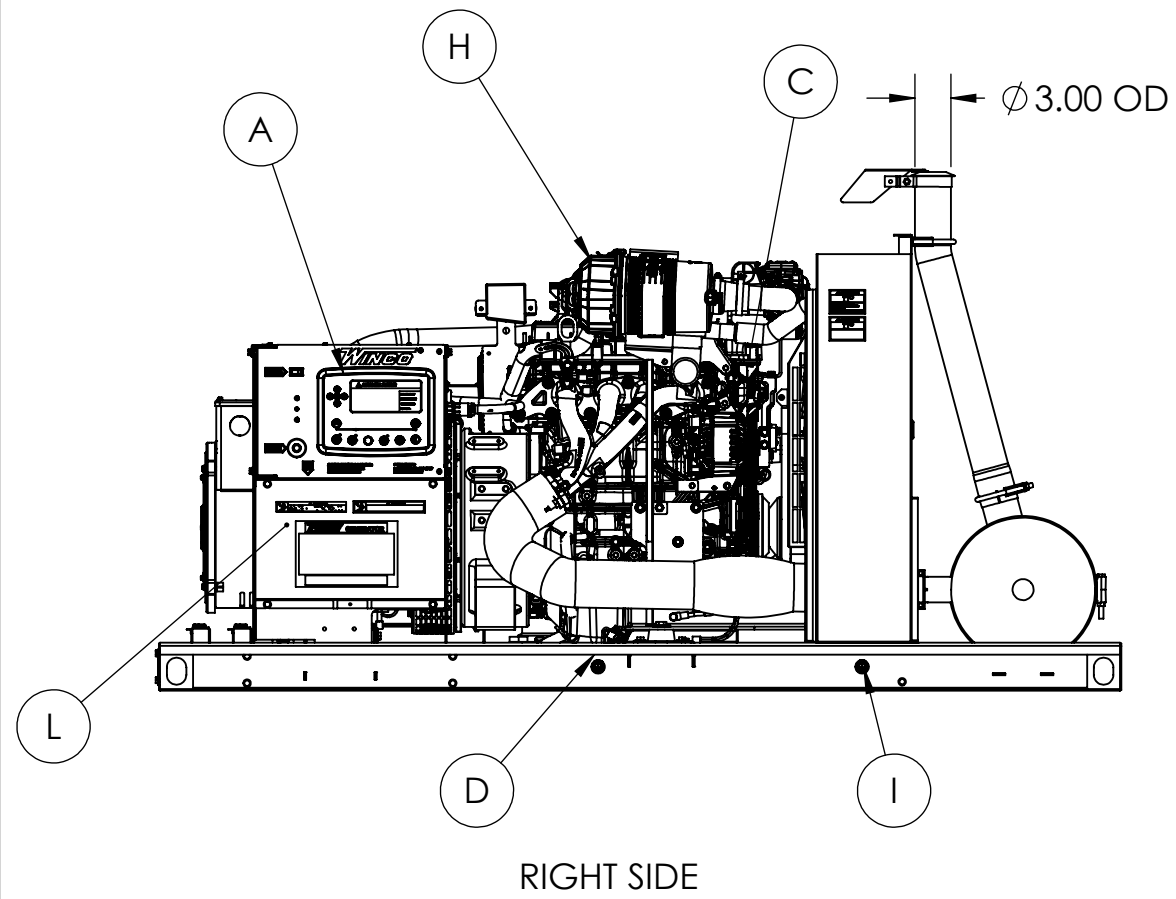
 THIS DRAWING CONTAINS PROPRIETARY INFORMATION BELONGING TO WINCO. UNAUTHORIZED USE IS PROHIBITED. ALL DIMENSIONS INCH	DRAWN BY	DATE	CHK'D BY	DATE	ENG APPR.	DATE
	TDS	3/6/2020			--	---
	TOLERANCE:	+/- 0.0625 DECIMAL		TITLE: PSS30F4 DRAWING OUTLINE		
	MODEL:	PSS30		PART: O-530 1 of 2		
						

033-0

KEY COMPONENTS

A	ENGINE CONTROL
B	MAIN LINE CIRCUIT BREAKER
C	OIL FILL
D	OIL DRAIN
E	OIL DIPSTICK
F	OIL FILTER
G	FUEL INLET
H	AIR FILTER
I	COOLANT DRAIN
J	COOLANT FILL
K	AVR
L	BATTERY CHARGER

REVISIONS					
REV.	IRN	DESCRIPTION	DATE	BY	APP'D
A	P321	ORIGINAL	3/6/2020	TDS	PAK
B	CA11791	UPDATE DESCRIPTION ON PAGE 2	11/10/2020	TDS	PAK



<p>THIS DRAWING CONTAINS PROPRIETARY INFORMATION BELONGING TO WINCO. UNAUTHORIZED USE IS PROHIBITED</p>	DRAWN BY TDS	DATE 3/6/2020	CHK'D BY	DATE	ENG APPR. --	DATE --
	TOLERANCE: +/- 0.25" (UNLESS SPECIFIED)	WEIGHT: 957.917 LBS	TITLE: PSS30 OUTLINE DRAWING			
	MATERIAL: SEE TABLE	MODEL: PSS30	PART: O-530			
			2 of 2			