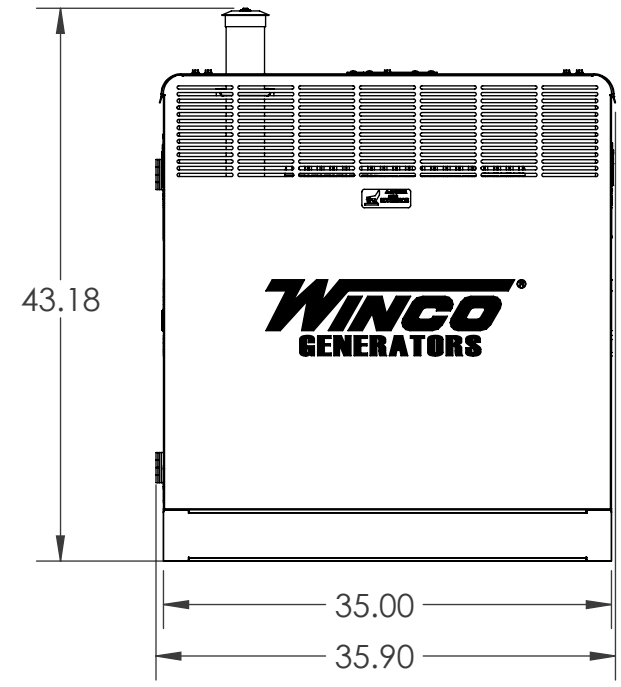
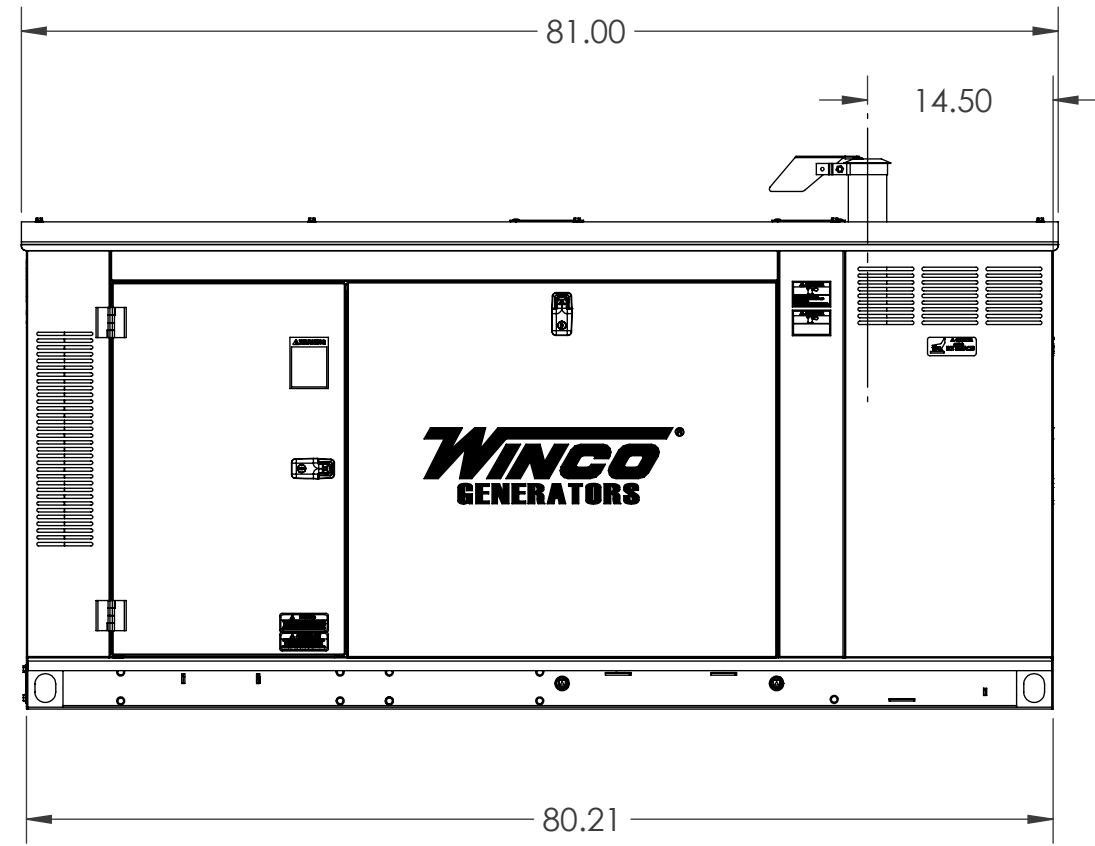
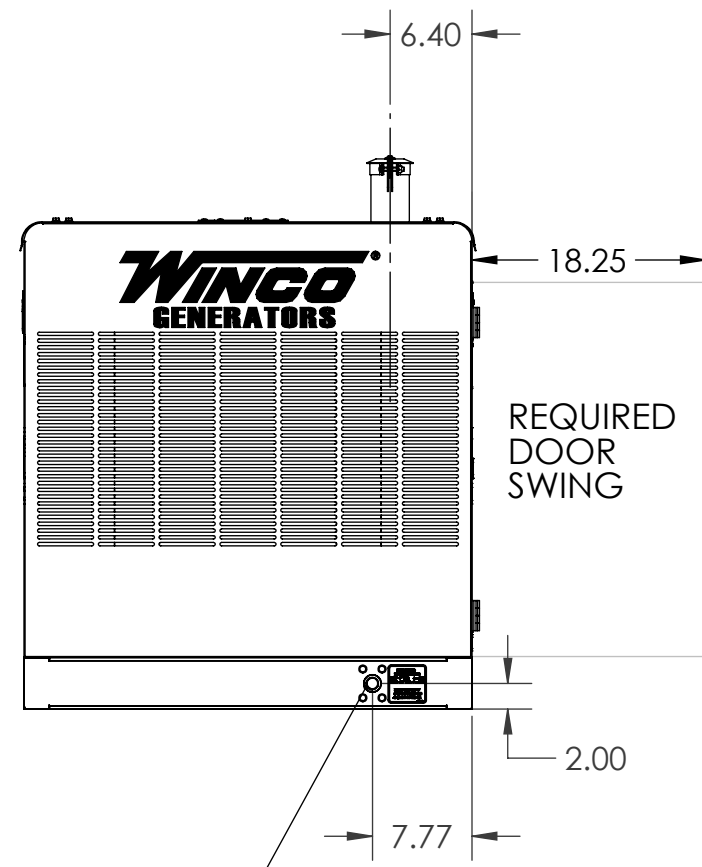
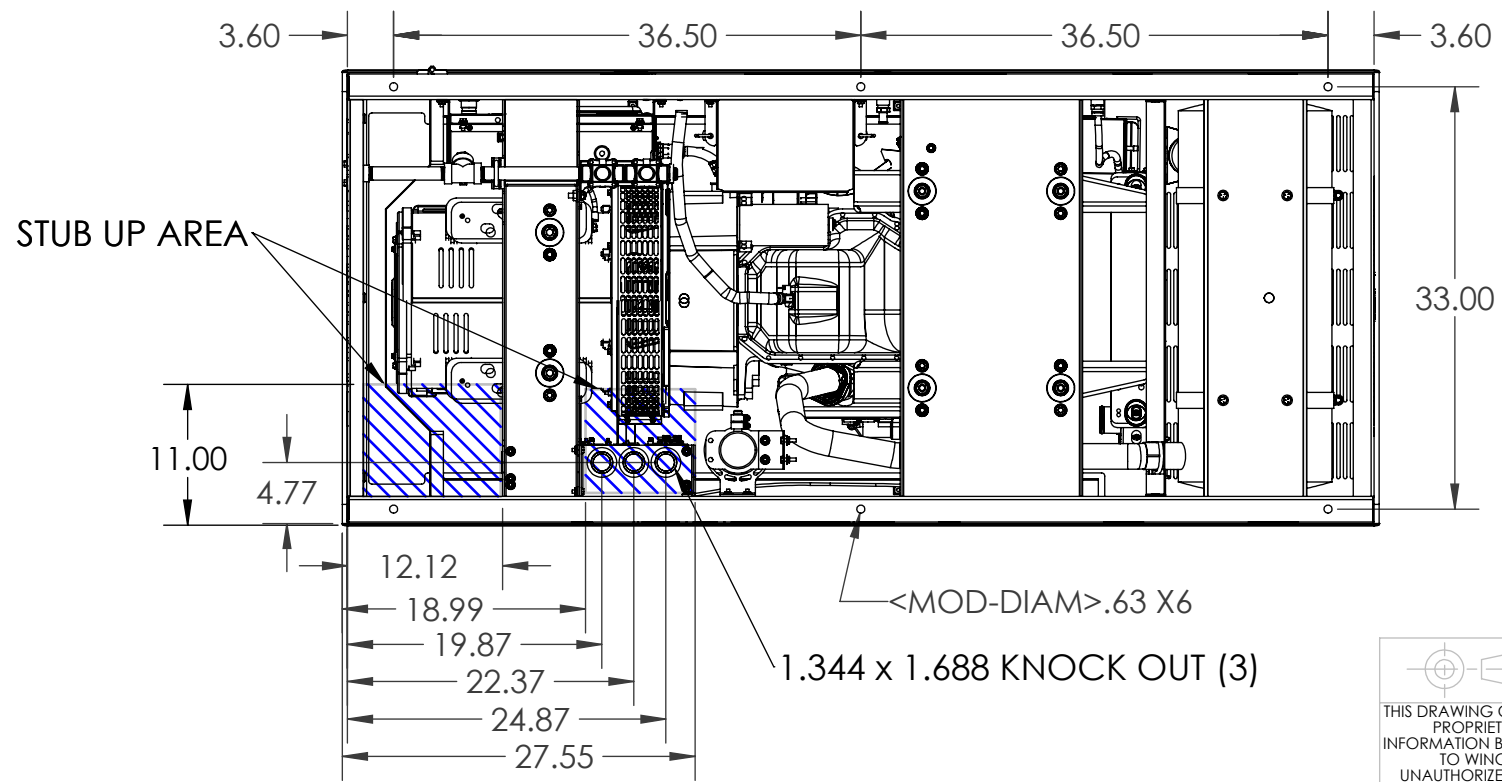


819-O

REVISIONS					
REV.	IRN	DESCRIPTION	DATE	BY	APP'D
A	P269	ORIGINAL	4/26/17	MML	DRC
B	8382	ADDED OPEN SKID RADIATOR BAFFLE	3/28/18	DRD	DRC



3/4 NPT FUEL INLET

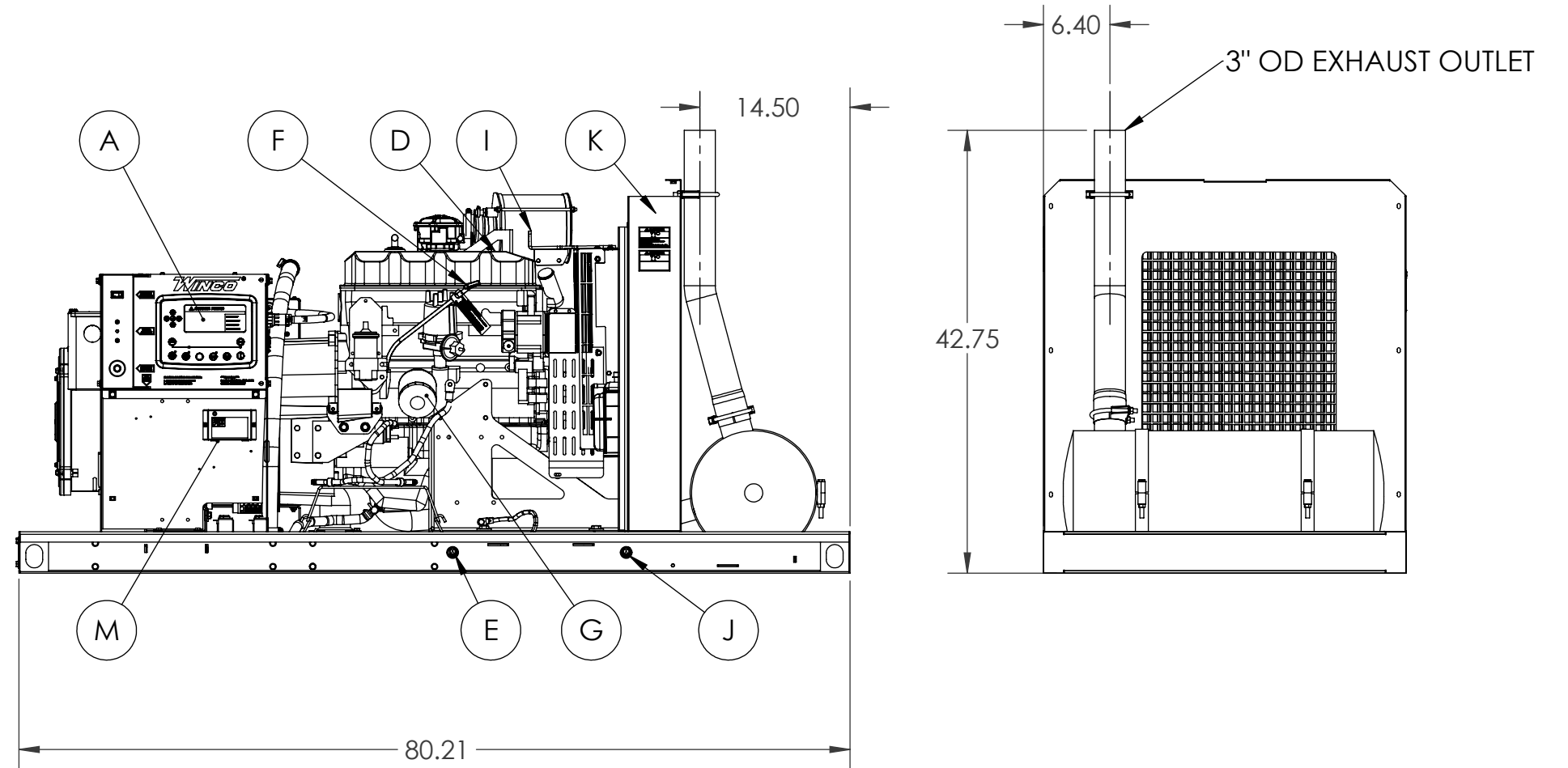
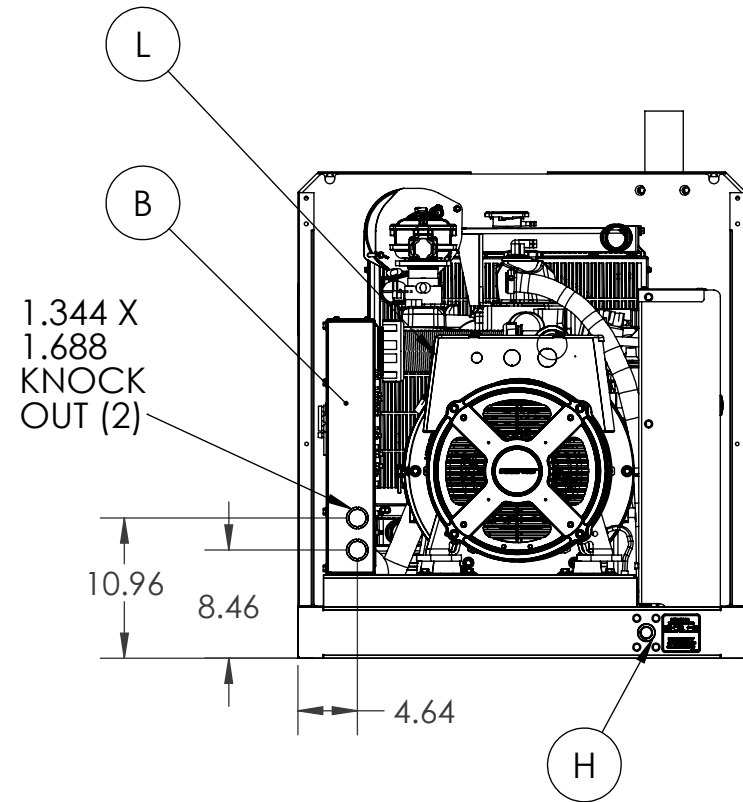


APPROXIMATE WEIGHT:
1396 LBS. (HOUSED)

 THIS DRAWING CONTAINS PROPRIETARY INFORMATION BELONGING TO WINCO. UNAUTHORIZED USE IS PROHIBITED. ALL DIMENSIONS INCH	DRAWN BY	DATE	CHK'D BY	DATE	ENG APPR.	DATE
	MML	4/21/2017			DRC	4/27/2017
	TOLERANCE:	+/- 0.0625 DECIMAL		TITLE: PSS21/30 OUTLINE DRAWING		
		+/- 1 DEG ANGULAR		PART: O-518 1 of 2		
	MODEL:	PSS21/30				

819-O

REVISIONS					
REV.	IRN	DESCRIPTION	DATE	BY	APP'D
A	P269	ORIGINAL	4/26/17	MML	DRC
B	8382	ADDED OPEN SKID RADIATOR BAFFLE	3/28/18	DRD	DRC



KEY COMPONENTS

A	ENGINE CONTROL
B	MAIN LINE CIRCUIT BREAKER
C	GROUP 24 BATTERY (NOT INCLUDED)
D	OIL FILL
E	OIL DRAIN
F	OIL DIPSTICK
G	OIL FILTER
H	FUEL INLET
I	AIR FILTER
J	COOLANT DRAIN
K	COOLANT FILL
L	AVR
M	BATTERY CHARGER

<p>THIS DRAWING CONTAINS PROPRIETARY INFORMATION BELONGING TO WINCO. UNAUTHORIZED USE IS PROHIBITED.</p> <p>ALL DIMENSIONS INCH</p>	DRAWN BY	DATE	CHK'D BY	DATE	ENG APPR.	DATE
	MML	4/21/2017			DRC	4/27/2017
	TOLERANCE:	+/- 0.0625 DECIMAL		TITLE: PSS21/30 OUTLINE DRAWING		
	MODEL:	PSS21/30		PART: O-518		