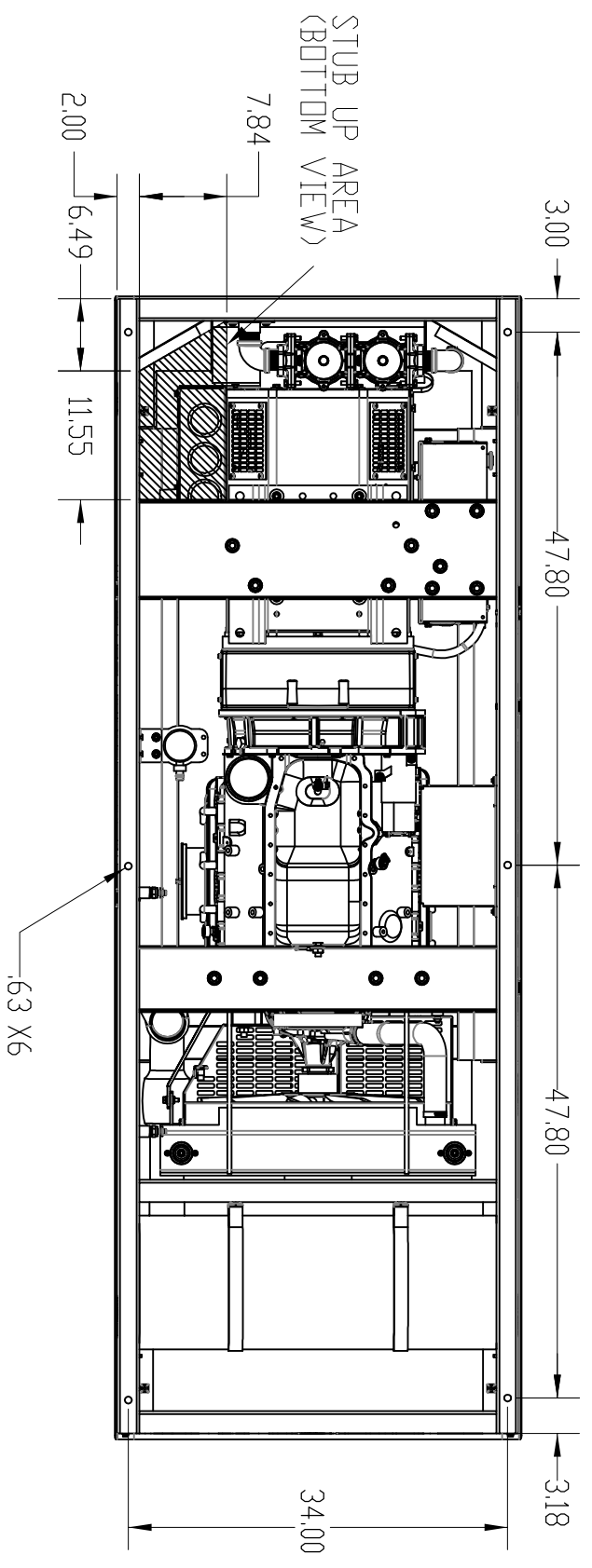
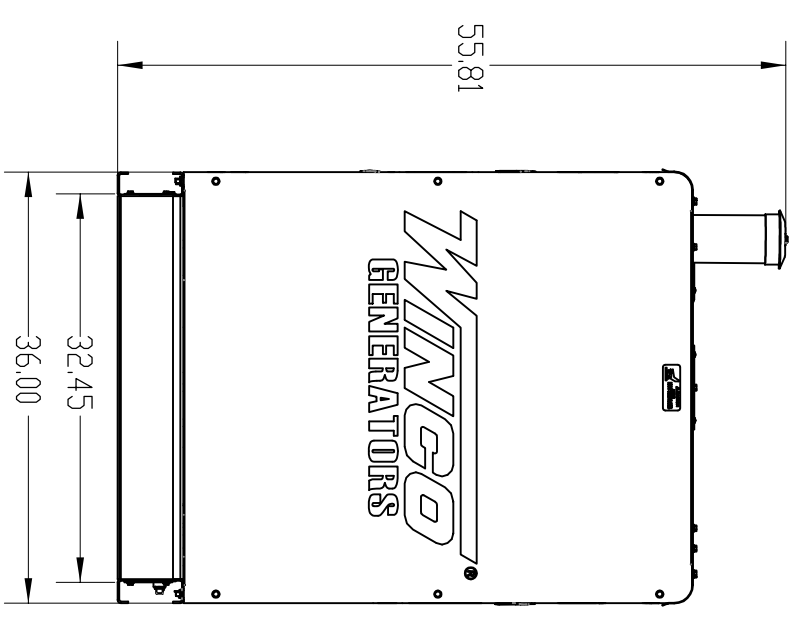
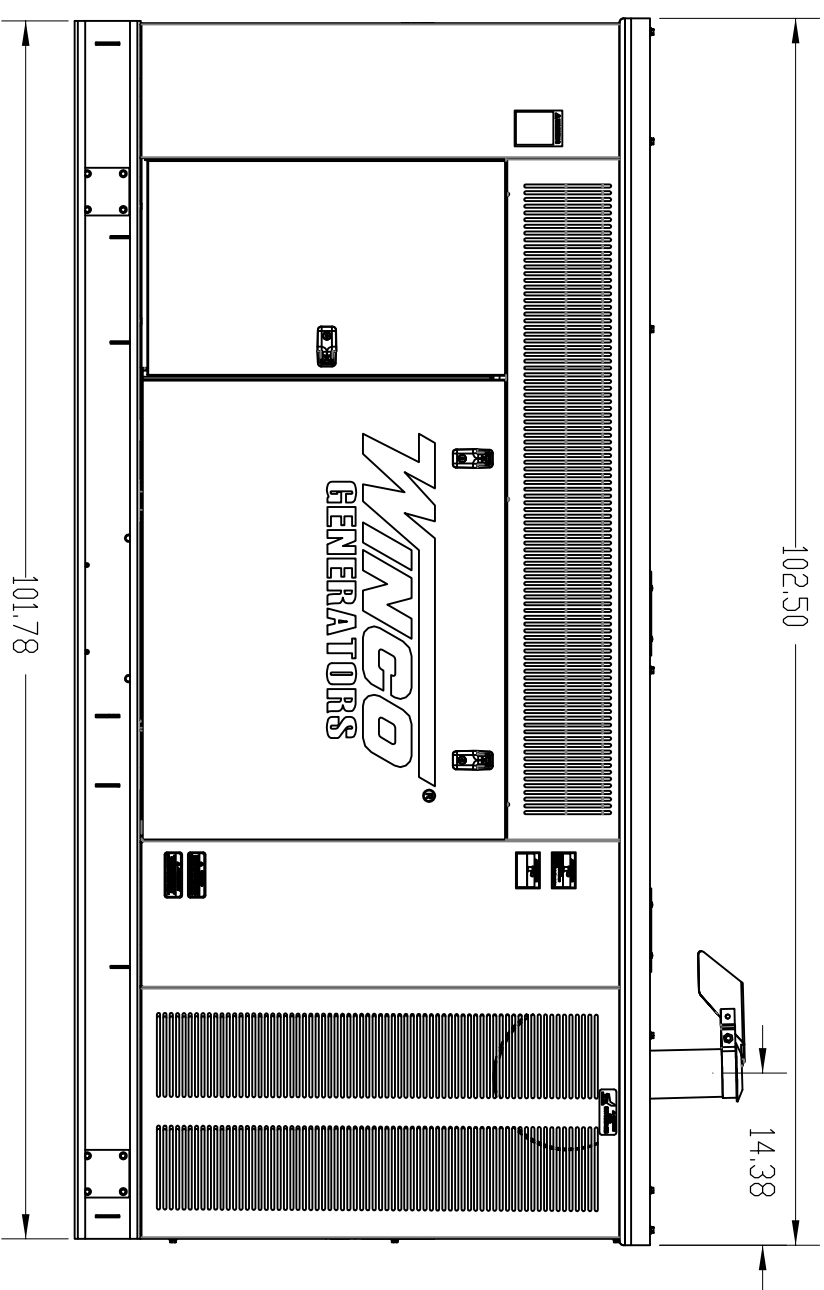
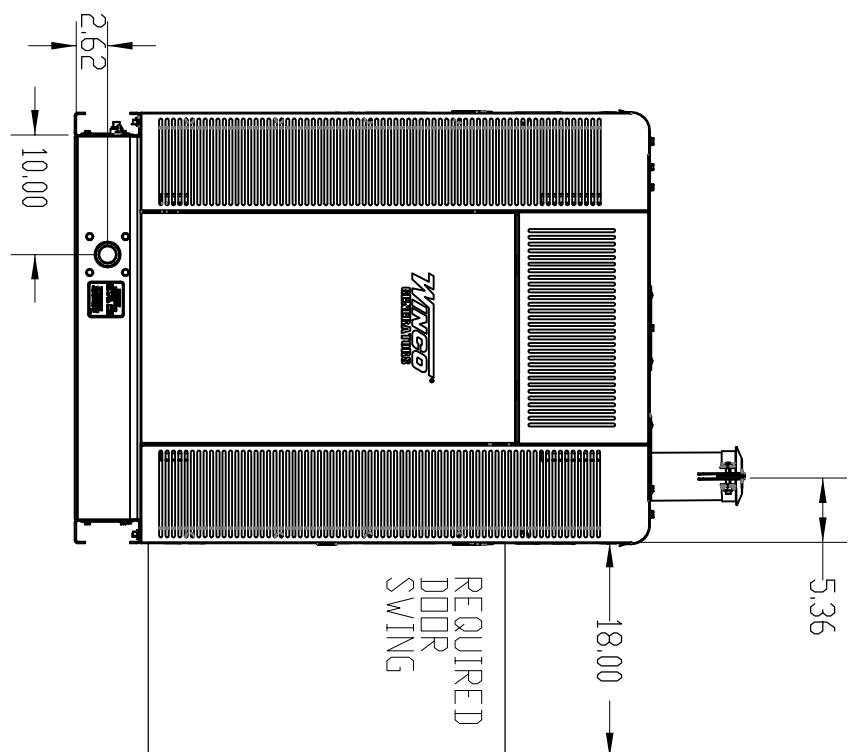


REVISIONS

REV.	IRN	DESCRIPTION	DATE	BY	APP'D
A	P259LIT	ORIGINAL	10/2/17	BWZ	DRD
B	C6068	ADDED DIMENSIONS TO OPEN SKID	8/29/2018	BWZ	DRD

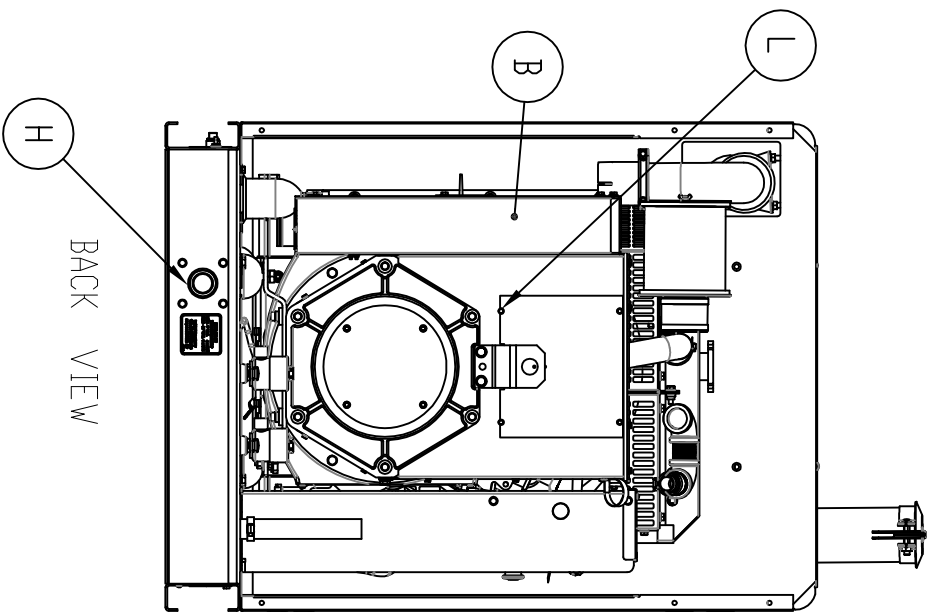


	DRAWN BY	DATE	CHK'D BY	DATE	ENG APPR.	DATE
	BWZ	10/2/2017			DRD	2/1/18
THIS DRAWING CONTAINS PROPRIETARY INFORMATION BELONGING TO WINGO. UNAUTHORIZED USE IS PROHIBITED.			TITLE: PSS60 OUTLINE DRAWING			
TOLERANCE: +/- .00625 DECIMAL +/- .1 DEG ANGULAR		MODEL: ULPSS60		PART: D-517		
ALL DIMENSIONS INCH			1 OF 2			



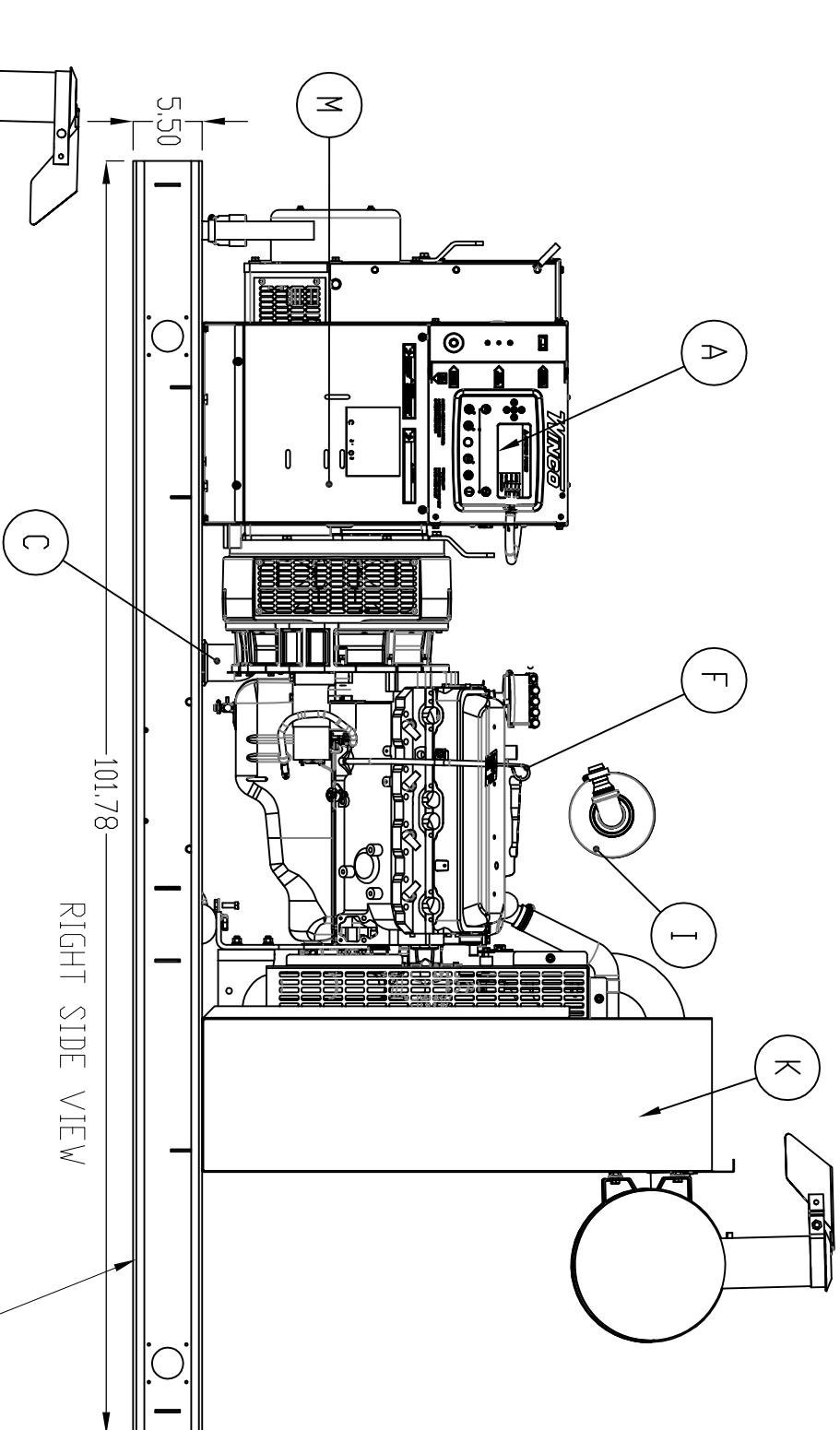
L15-D

REVISIONS					
REV.	IRN	DESCRIPTION	DATE	BY	APP'D
A	P259LIT	ORIGINAL	10/2/17	BWZ	DRD
B	C6068	ADDED DIMENSIONS TO OPEN SKID	8/29/2018	BWZ	DRD

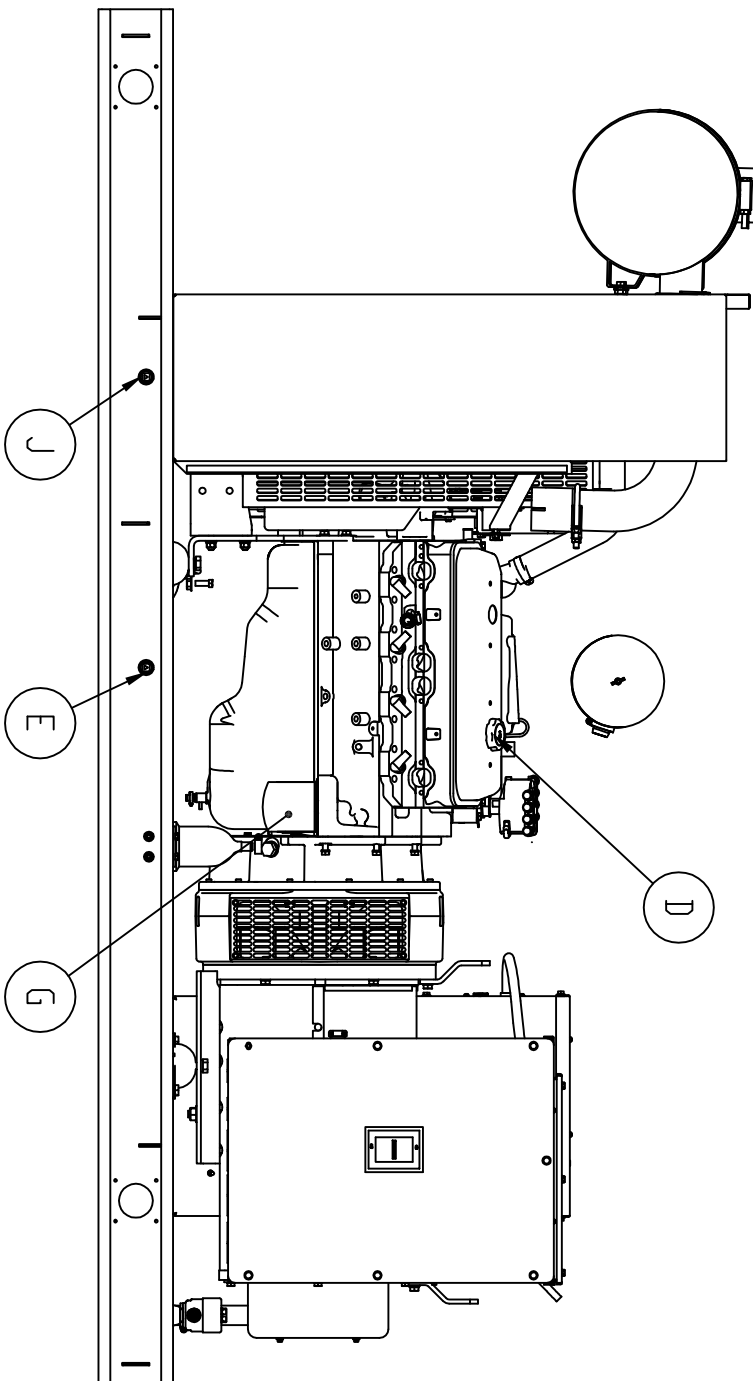


BACK VIEW

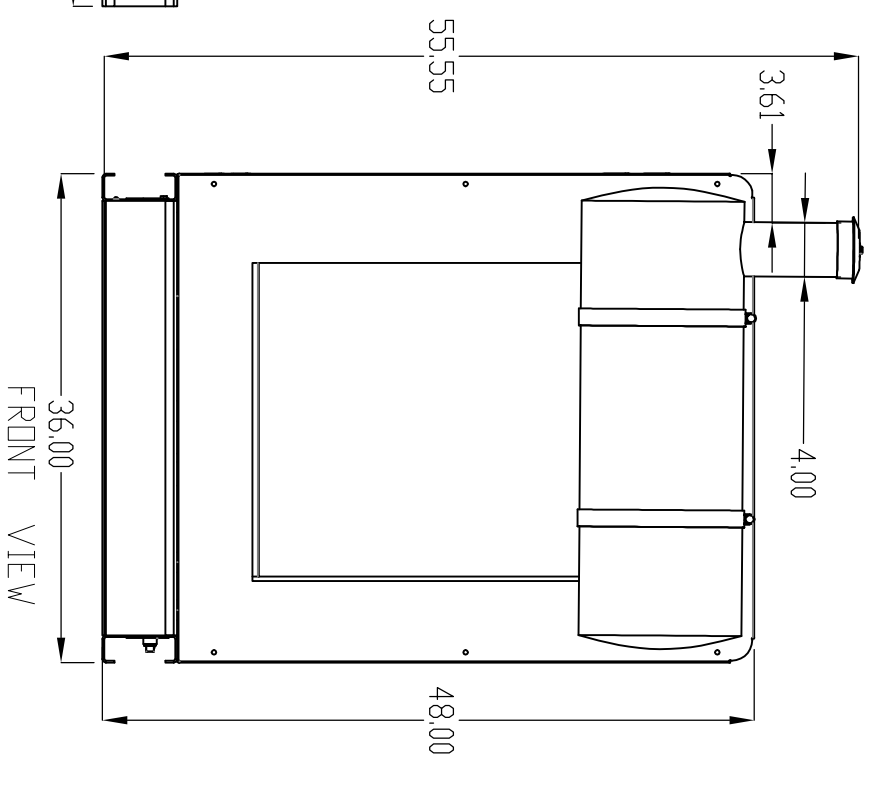
KEY COMPONENTS	
A	ENGINE CONTROL
B	MAIN LINE CIRCUIT BREAKER
C	GROUP 24 BATTERY(NOT INCLUDED)
D	OIL FILL
E	OIL DRAIN
F	OIL DIPSTICK
G	OIL FILTER
H	FUEL INLET
I	AIR FILTER
J	COOLANT DRAIN
K	COOLANT FILL
L	AVR
M	BATTERY CHARGER



RIGHT SIDE VIEW



LEFT SIDE VIEW



FRONT VIEW

MOUNTING HOLE LOCATIONS ARE THE SAME AS A HOUSED UNIT

	DRAWN BY	DATE	CHK'D BY	DATE	ENG APPR	DATE
	BWZ	10/2/2017			DRD	2/1/18
TOLERANCE: +/- .025" (UNLESS SPECIFIED) WEIGHT: 1035.53 LBS MATERIAL: SEE BOM TABLE MODEL: ULPSS60			PSS60 OUTLINE DRAWING			
THIS DRAWING CONTAINS PROPRIETARY INFORMATION BELONGING TO WINGO. UNAUTHORIZED USE IS PROHIBITED.					PART:	D-517
						SHT 2