

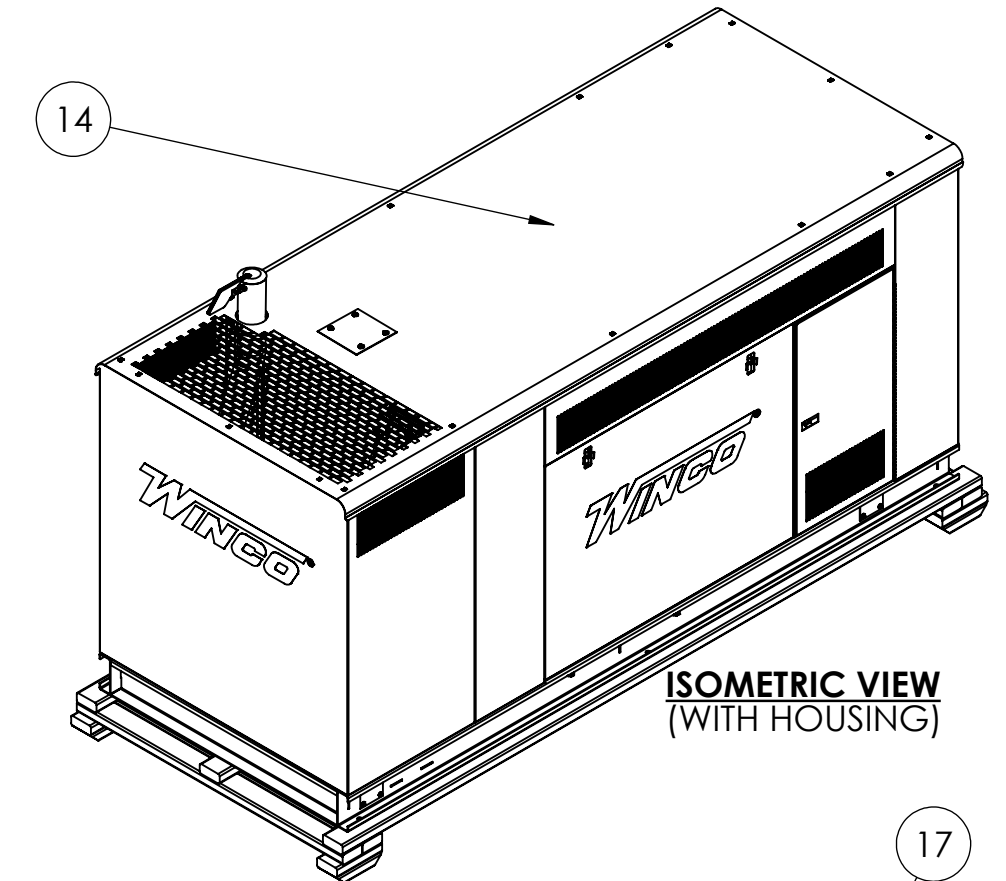
99974-270

REVISIONS

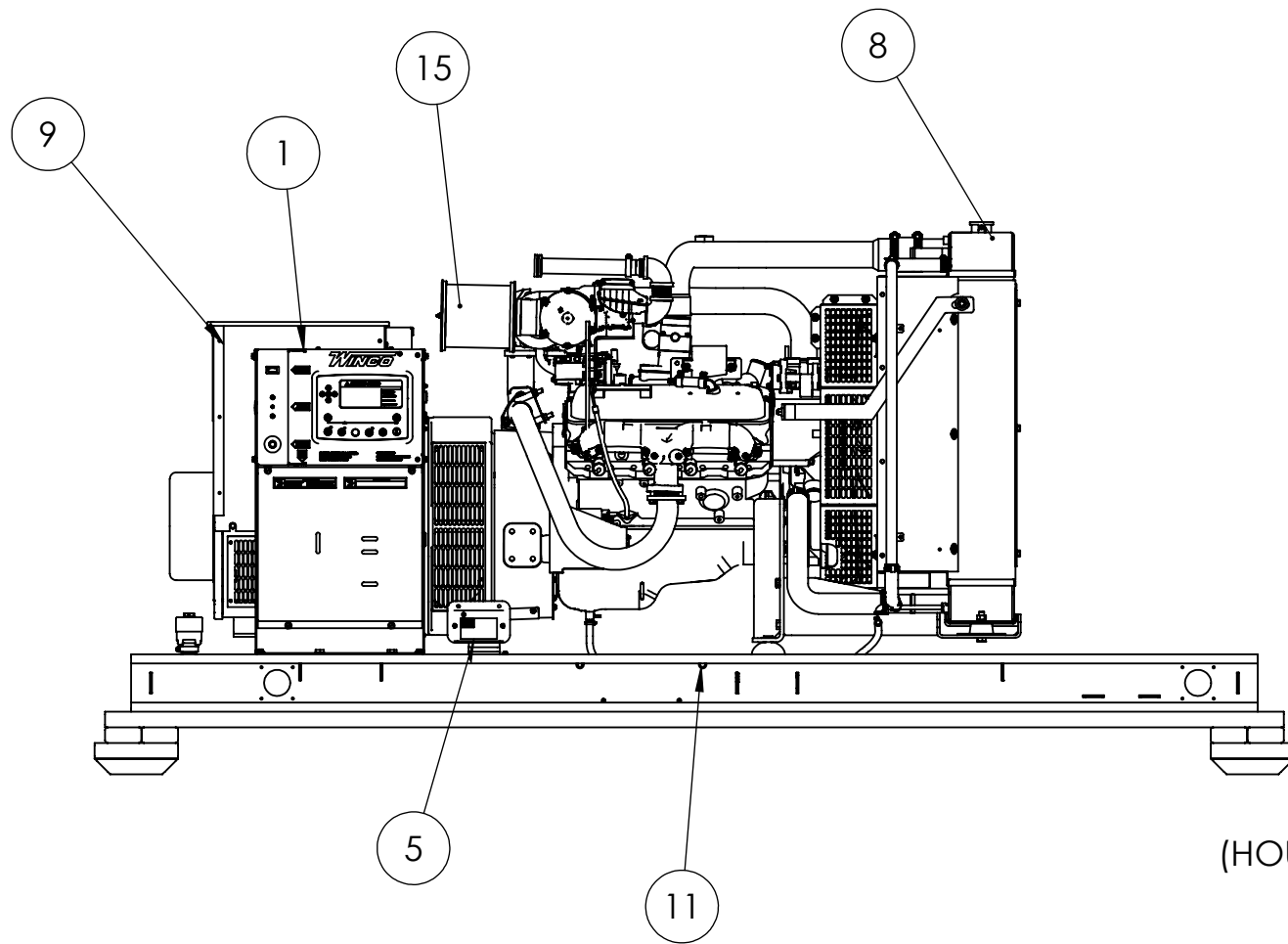
REV.	IRN	DESCRIPTION	DATE	BY	APP'D
A	7027	ORIGINAL	7/10/17	MML	DRC

ITEM NO.	PartNo	DESCRIPTION	QTY.
1	351903-26	DSE 7310 MKII CONTROL PEDESTAL ASSEMBLY	1
2	ECU7310-2-270	7310 MKII PSS60 PROGRAM	1
3	300515-2	OIL	5 QTS
4	300515-4	COOLANT CONCENTRATE	2.19 GAL
5	72036-015	CHARGE PRO 12VDC @ 2A	1
6	99420-027	DC HARNESS	1
7	99309-103	WELDED BASE ASSEMBLY	1
8	351987-9	ENGINE GM PSI 5.7L TURBO CAC	1
9	352013-1	GEN END UCI274C1J SAE 3 11.5	1
10	99362-018	FUEL SYSTEM PSS90	1
11	99686-001	BATTERY TRAY INSTALL	1
12	99687-024	EXHUST ASSEMBLY	1
13	99682-010	BLOCK HEATER KIT	1
14	99397-290	HOUSING ASSEMBLY	1
15	99489-003	HARDWARE KIT PSS90	1
16	99692-291	GEN MOD 1 PH	1
17	99836-290	CB AND RECONNECT BOX	1
18	53005-018	SKID	1
19	351559-9	DECAL KIT	1

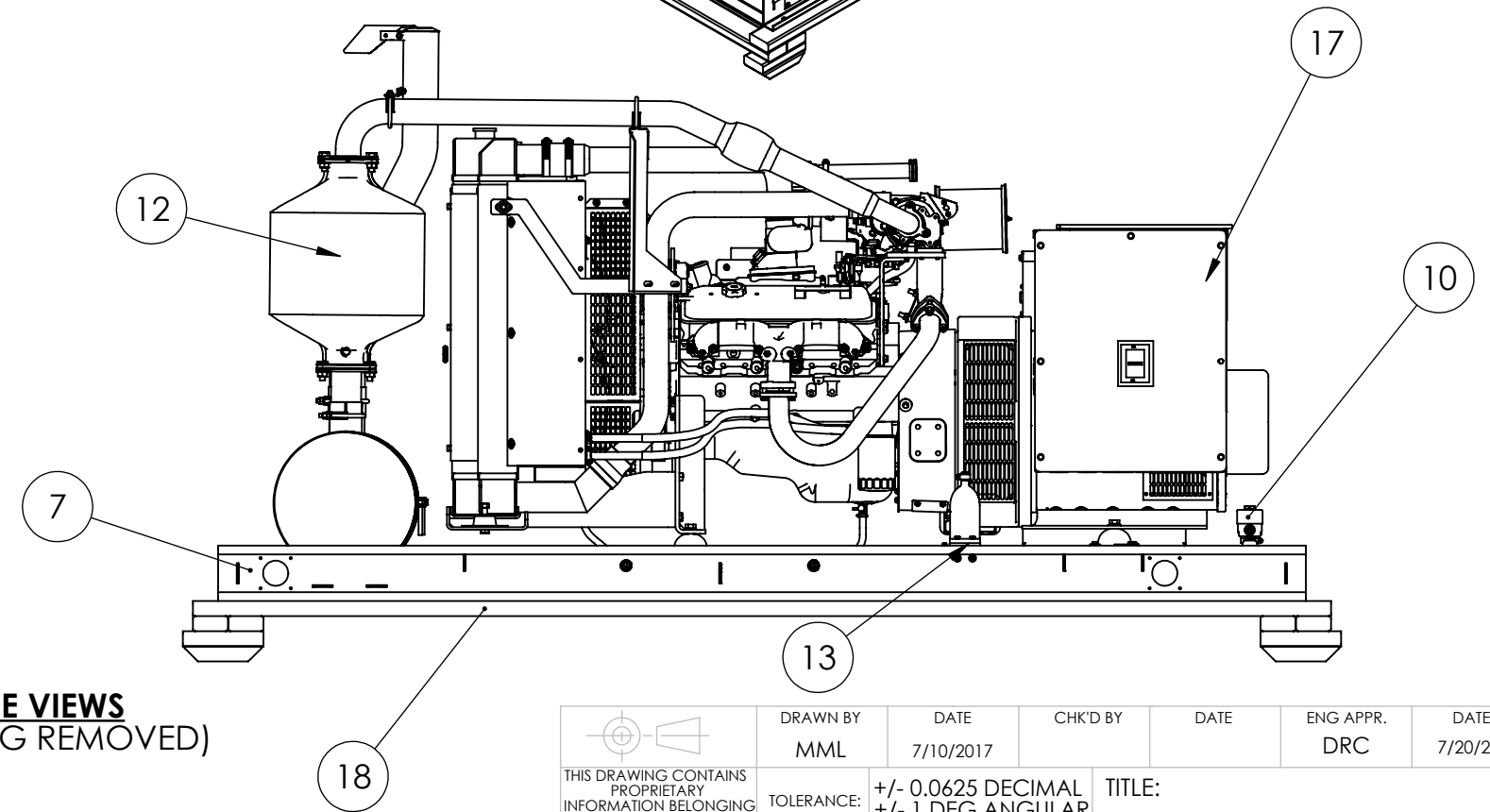
DOCUMENTATION LIST	
ITEM	PART NUMBER
MANUAL	OPM-117
OUTLINE DRAWING	O-517
INSTRUCTION SHEET	NONE
ELECTRICAL SCHEMATIC	SEE MANUAL
PARTS LIST	99974-EPL
STEP FILE	NONE



ISOMETRIC VIEW  
(WITH HOUSING)



SIDE VIEWS  
(HOUSING REMOVED)



<p>THIS DRAWING CONTAINS PROPRIETARY INFORMATION BELONGING TO WINCO. UNAUTHORIZED USE IS PROHIBITED.</p> <p>ALL DIMESNIIONS INCH</p>	DRAWN BY	DATE	CHK'D BY	DATE	ENG APPR.	DATE
	MML	7/10/2017			DRC	7/20/2017
	TOLERANCE:	+/- 0.0625 DECIMAL		TITLE:		
	MODEL:	ULPSS90-3D		PART: 99974-270		
						1 of 1