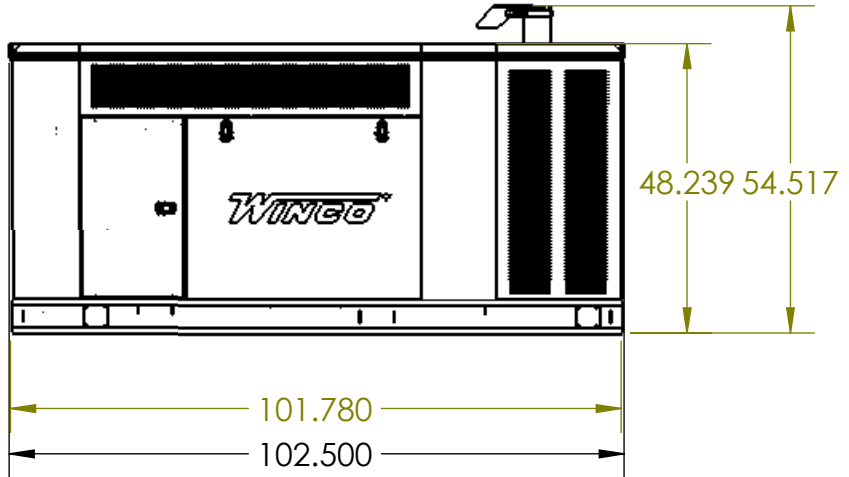
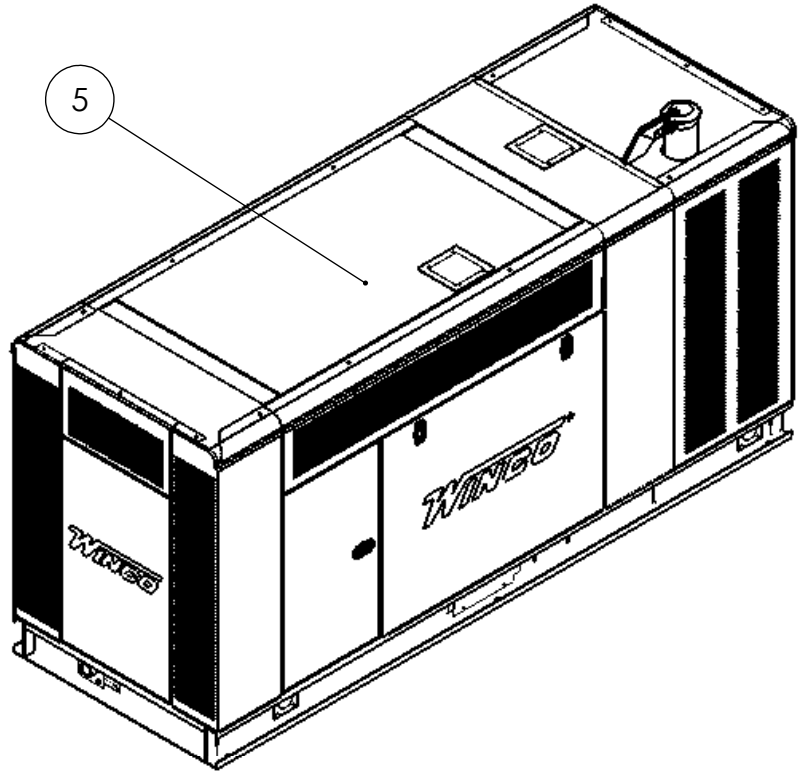
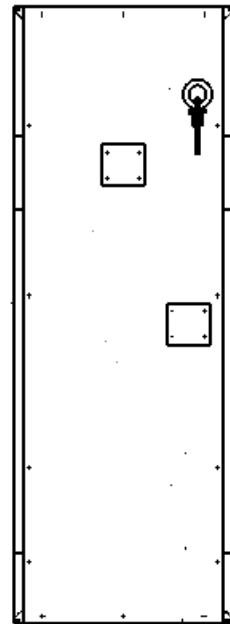
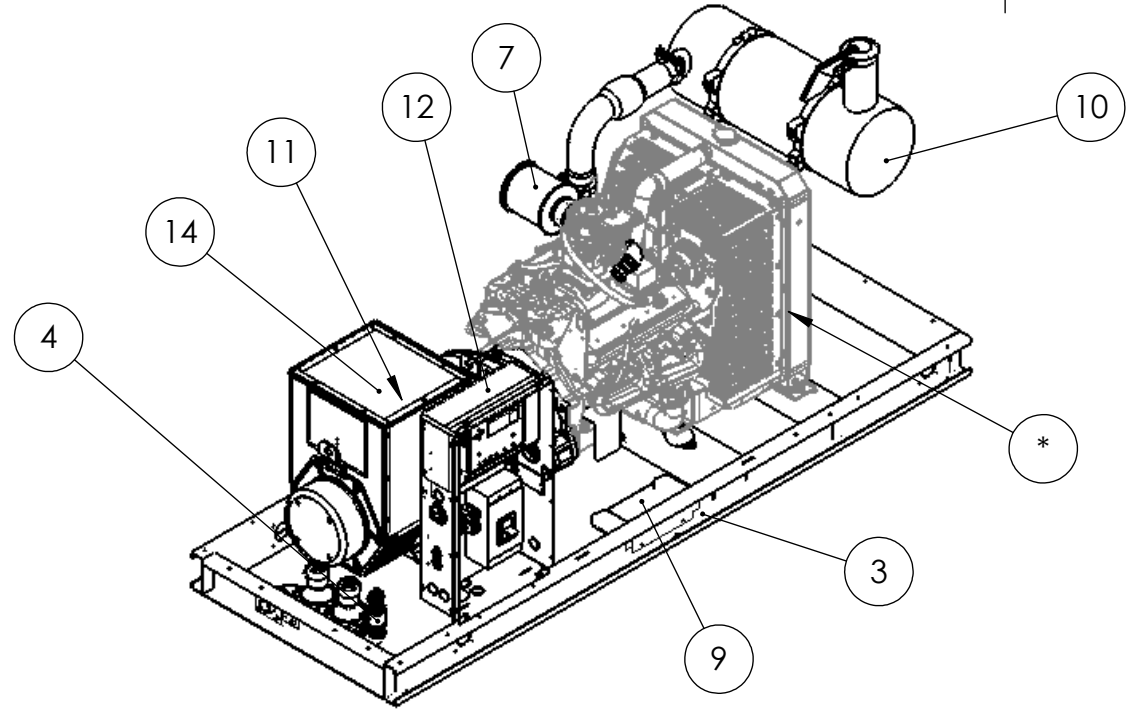


99973-220

REVISIONS					
REV.	IRN	DESCRIPTION	DATE	BY	APP'D
A		ORIGINAL	7/3/2014	RS	DRC



ITEM NO.	PartNo	DESCRIPTION	QTY.
1	60706-251	OPR. MANUAL PSS60 & 90	1
2	72036-015	CHARGE PRO 12VDC @ 2A	1
3	99309-062	WELDED BASE ASSEMBLY (PANELS)	1
4	99362-015	FUEL SYSTEM PSS60	1
5	99397-062	HOUSING ASSEMBLY	1
6	99420-023	GM DC HARNESS PSS60/80	1
7	99489-002	HARDWARE KIT	1
8	99682-016	BLOCK HEATER ASSEMBLY	1
9	99686-002	BATTERY TRAY INSTALL	1
10	99687-018	EXHUST ASSEMBLY	1
11	99692-261	GEN MOD 1 PHASE	1
12	99836-170	CB ENGINE CONTROL CABINET ASSEMBLY	1
13	351559-9	DECALS INSTALLATION	1
14	351928-41	GEN END UCI224F1J W GM ADAPTER	1
15	351987-3	ENGINE GM PSI 5.7L NA V-8	1
16	ECU7310-275	PSS60-3,-4,-17,-18 V13.1	1



UNLESS OTHERWISE SPECIFIED						
FRACTIONS		ANGULAR	MACHINED SURFACE TEXTURE	ALL DIMENSIONS GIVEN IN INCHES WORK TO DIMENSIONS FLAT OUTSIDE VIEW SHOWN UNLESS NOTED -DO NOT SCALE-		
1 PLACE DEC.	.1	1.5				
2 PLACE DEC.	.015					
3 PLACE DEC.	.005					
	DRAWN BY	DATE	CHK'D BY	DATE	ENG APPR.	DATE
	RS	7/3/2014			DRC	7/27/2014
THIS DRAWING CONTAINS PROPRIETARY INFORMATION BELONGING TO WINCO. UNAUTHORIZED USE IS PROHIBITED	MATERIAL:	SEE TABLE	WEIGHT:			
	FINISH:	VARIOUS				
	TOTAL SURFACE AREA:	N/A	TITLE:			
	FACE SURFACE AREA:	N/A	ULPSS60-3/D, DSE7310, 120/240V, 1-PH, 60HZ, GM 5.7L, NG/LP, 1800 RPM, HOUSE			
MODEL:	PSS60	PART NO.		99973-220		