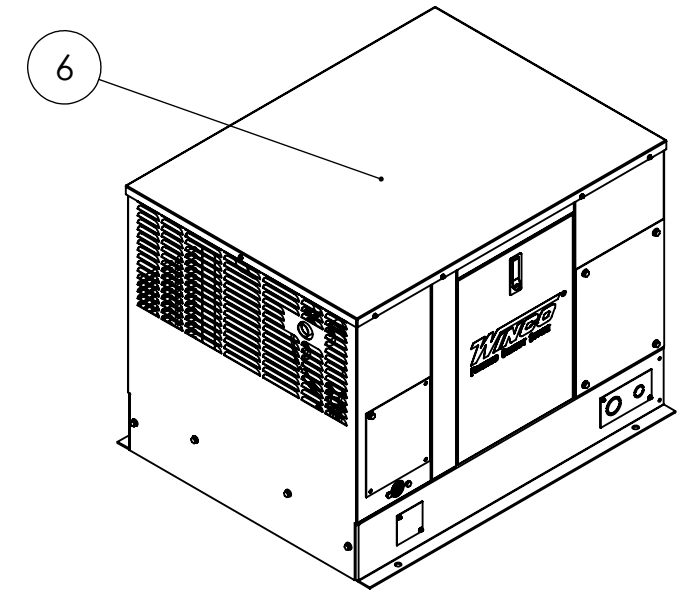
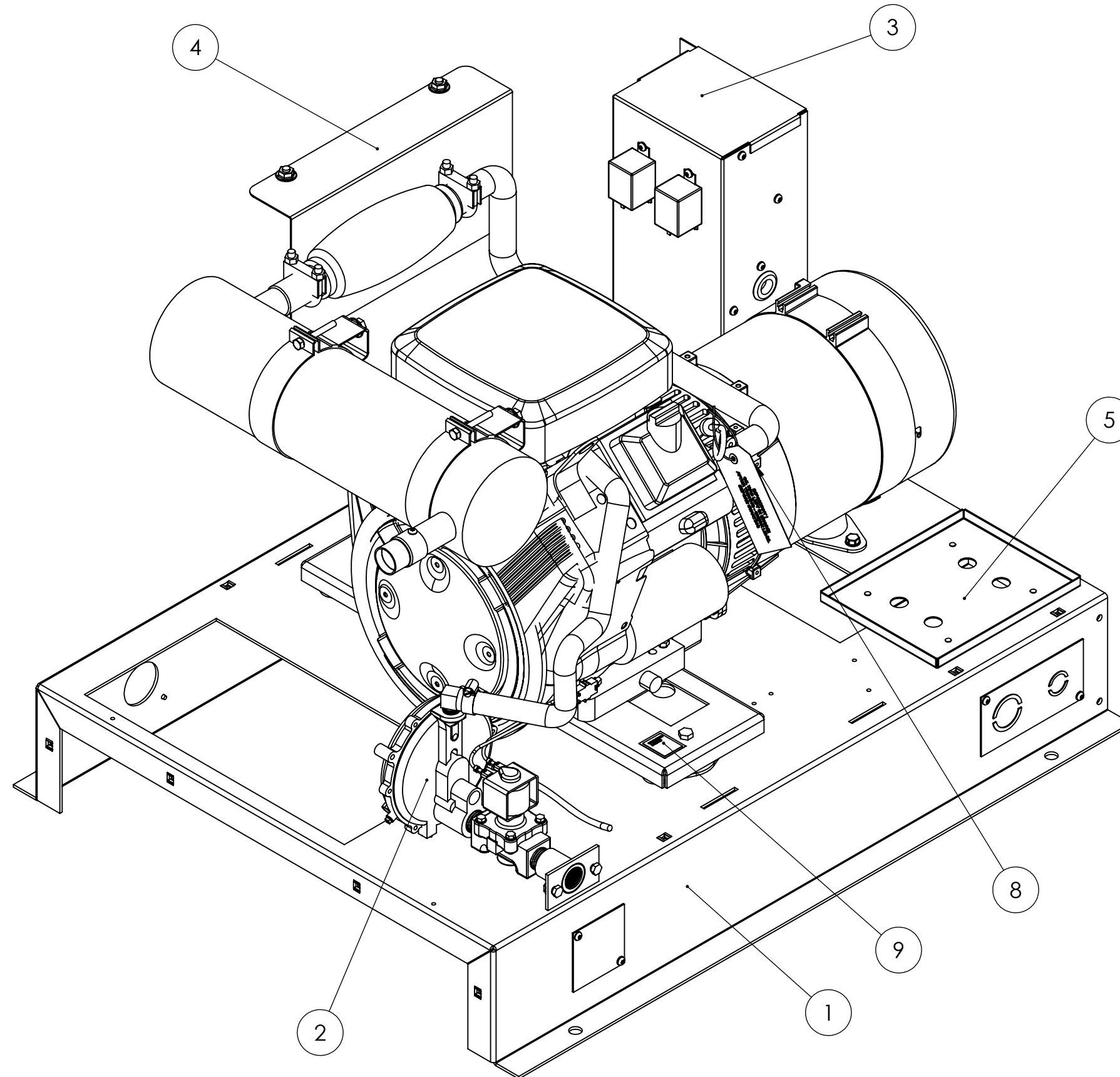


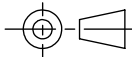
16400-048

REVISIONS

REV.	IRN	DESCRIPTION	DATE	BY	APP'D
A	---	ORIGINAL	8/12/2016	ZJF	ZJF
B	---	FIX PART NUMBER ON DRAWING	8/24/2016	ZJF	ZJF



ITEM NO.	PartNo	DESCRIPTION	QTY.
1	16391-008	ENG/GEN/BASE ASSEMBLY	1
2	16397-007	FUEL SYSTEM INSTALL	1
3	16477-007	CONTROL TOWER INSTALL	1
4	16470-004	EXHAUST SYSTEM INSTALL	1
5	16328-004	BATTERY INSTALL	1
6	95694-003	HOUSING ASSEMBLY	1
7	15715-081	DECAL AND NAMEPLATE INSTALLATION PSS UNITS	1
8	60710-018	OIL WARNING TAG	1
9	300375	DECAL-FUEL SELECTION	1
10	60706-211	OPR. MANUAL ULPSS8B2W/A	1
11	100054-650	BAG, 52 X 24 X 45	1
12	100047-757	CARTON PSS8	1
13	64834-006	CARTON CORNER POST PSS8	1
14	100114-103	LUMBER, 3/8-1-1/2 X 48	2
15	100114-104	LUMBER, 2 X 4 X 44.5	2
16	100059-730	BASE, SHIPPPING, 44.5 X 29.75 X 7/16	1
17	62912-001	FOAM STRIP, 0.75 X 3/16	14FT

 THIS DRAWING CONTAINS PROPRIETARY INFORMATION BELONGING TO WINCO. UNAUTHORIZED USE IS PROHIBITED. ALL DIMESNIIONS INCH	DRAWN BY	DATE	CHK'D BY	DATE	ENG APPR.	DATE
	ZJF	8/24/2016			ZJF	8/12/2016
	TOLERANCE:	+/- 0.0625 DECIMAL		TITLE:		
	MODEL:	+/- 1 DEG ANGULAR		COMPLETE ASSEMBLY		
	ULPSS8B2W/F		PART: 16400-048 1 of 1			
WINCO ®						