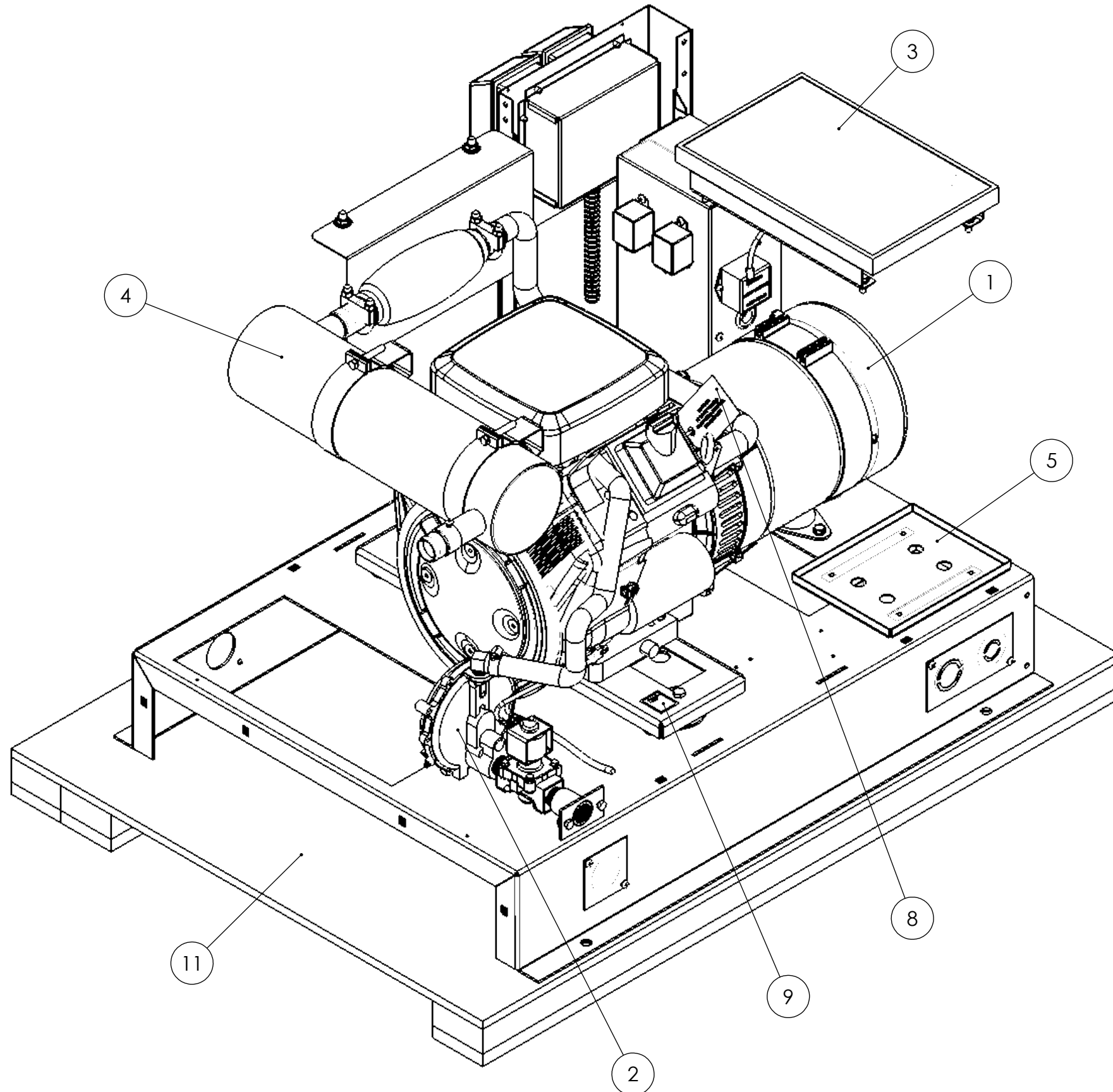
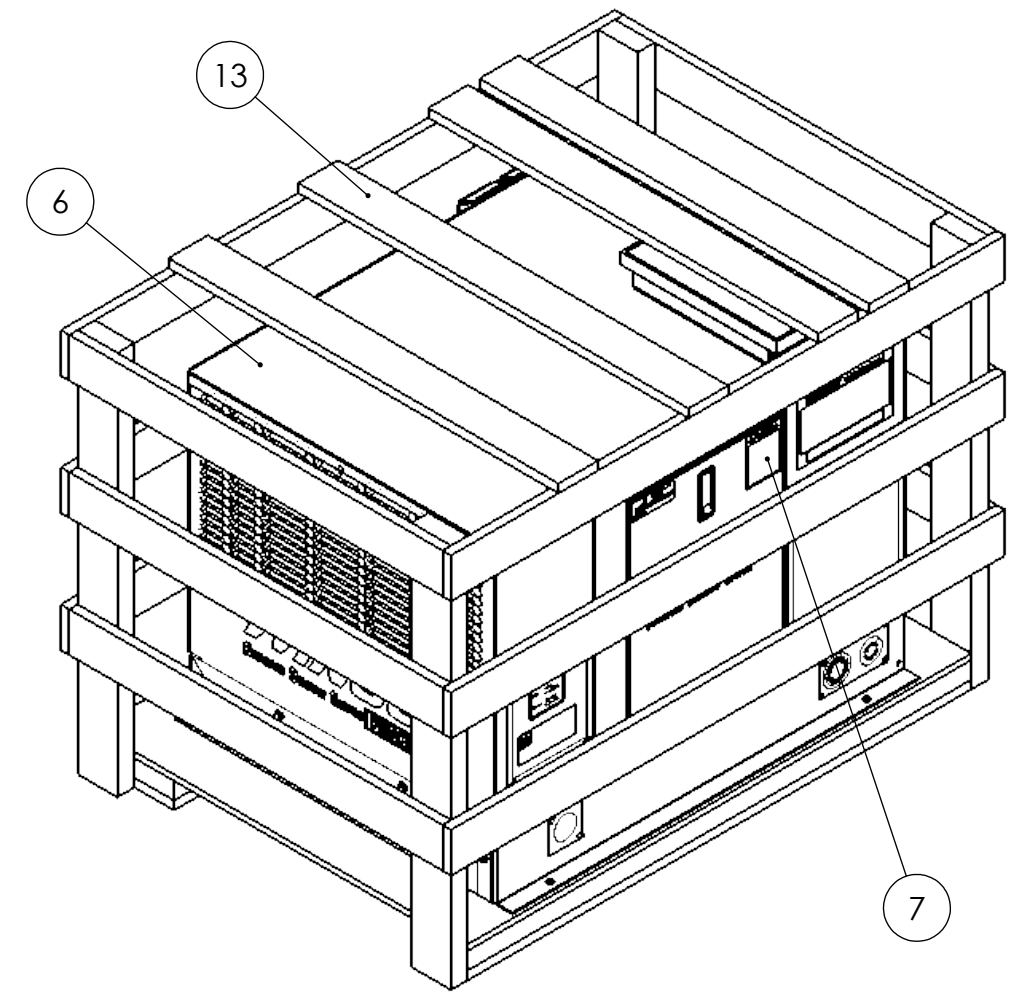


16400-047



REVISIONS					
REV.	IRN	DESCRIPTION	DATE	BY	APP'D
B	5789	ADDED SHIPPING BASE & REMOVED BALLOON WITH ?	9/14/2016	SJM	DRC
c	6452	ADDED BAG AND CRATE TO PRINT	1/19/2017	SJM	DRC



ITEM NO.	PartNo	DESCRIPTION	QTY.
1	16391-008	ENG/GEN/BASE ASSEMBLY	1
2	16397-007	FUEL SYSTEM INSTALL	1
3	16477-009	CONTROL TOWER INSTALL	1
4	16470-004	EXHAUST SYSTEM INSTALL	1
5	16328-004	BATTERY INSTALL	1
6	95694-004	HOUSING ASSEMBLY	1
7	15715-091	DECAL AND NAMEPLATE INSTALLATION	1
8	60710-018	OIL WARNING TAG	1
9	300375	DECAL-FUEL SELECTION	1
10	60706-211	OPR. MANUAL ULPSS8B2W/A	1
11	53005-014	PSS8 SOLAR SHIPPING BASE	1
12	100054-650	1.0 MIL BAG 52 X 24 X 45	1
13	53005-015	PSS8 SOLAR CRATE	1

<p>THIS DRAWING CONTAINS PROPRIETARY INFORMATION BELONGING TO WINCO. UNAUTHORIZED USE IS PROHIBITED.</p> <p>ALL DIMENSIONS INCH</p>	DRAWN BY	DATE	CHK'D BY	DATE	ENG APPR.	DATE
	SJM	7/7/2016			ZJF	7/19/2016
	TOLERANCE:	+/- 0.0625 DECIMAL		TITLE:		
	MODEL:	+/- 1 DEG ANGULAR		COMPLETE ASSEMBLY		
	PSS8 SOLAR		PART: 16400-047			