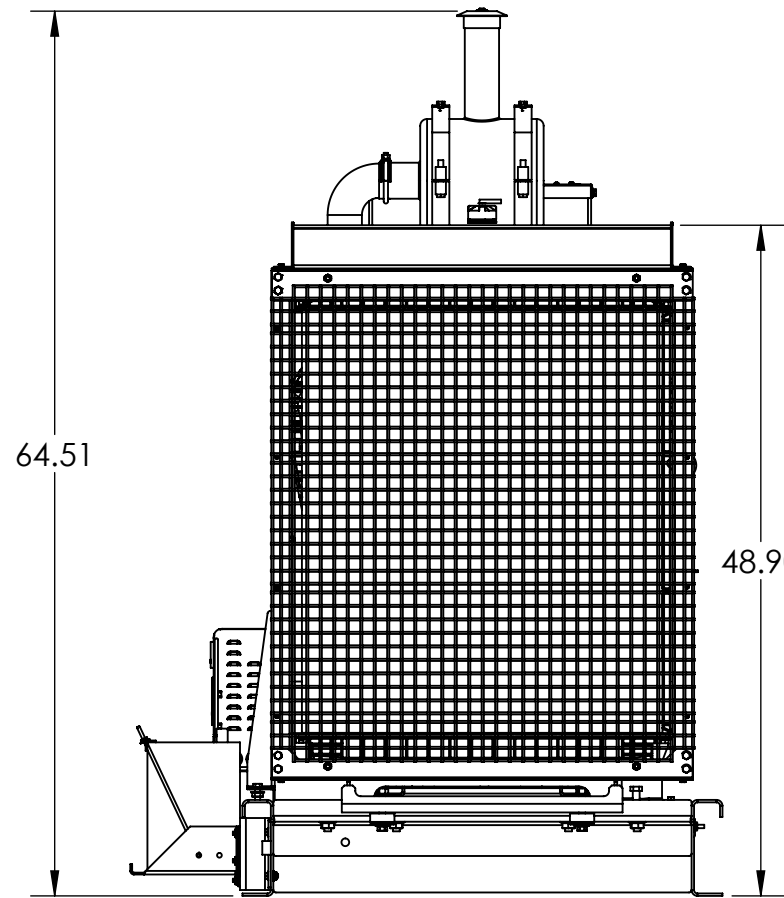


REVISIONS

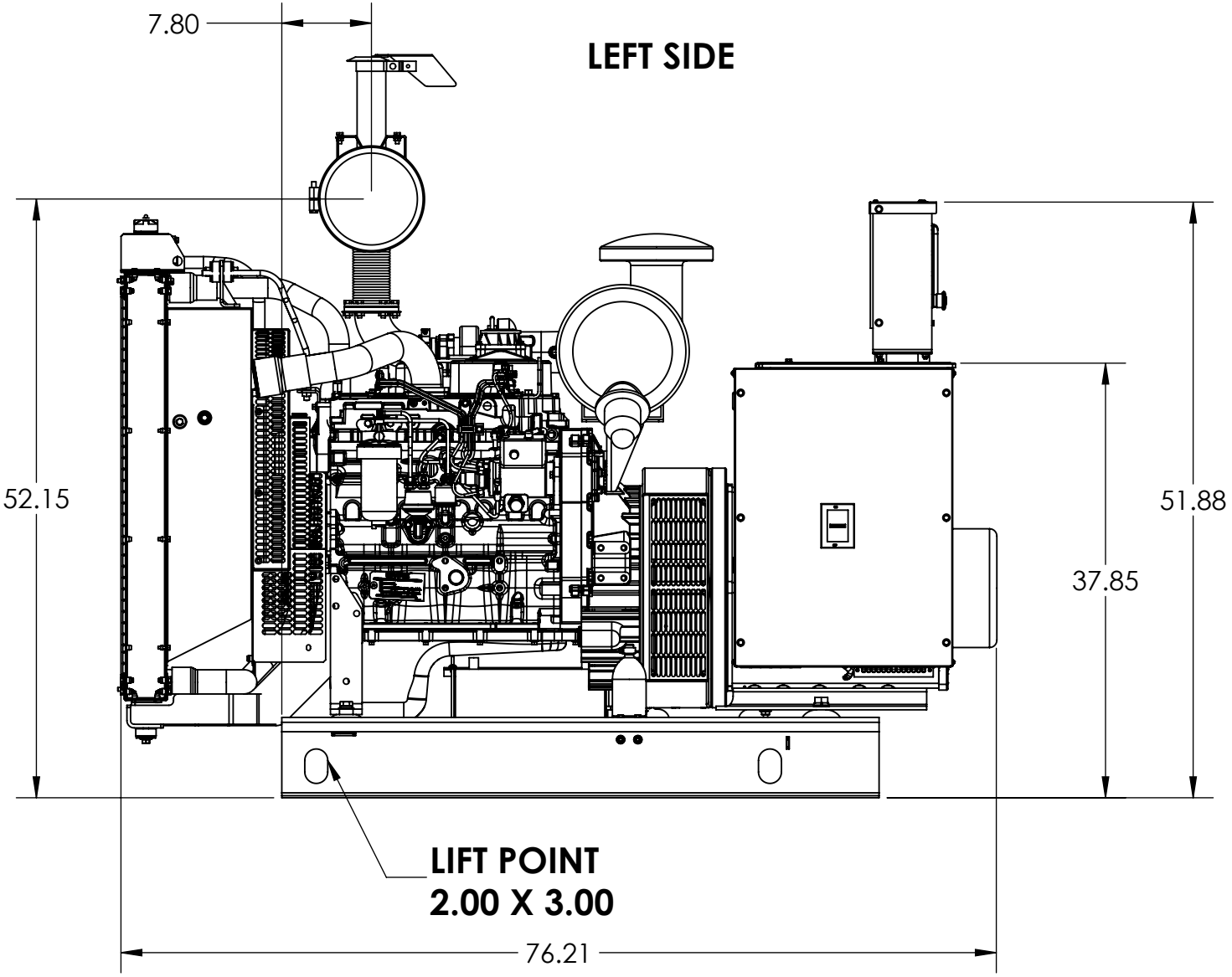
REV.	IRN	DESCRIPTION	DATE	BY	APP'D
A	DR90	NEW PART	11/6/2023	VP	DRC

189-O

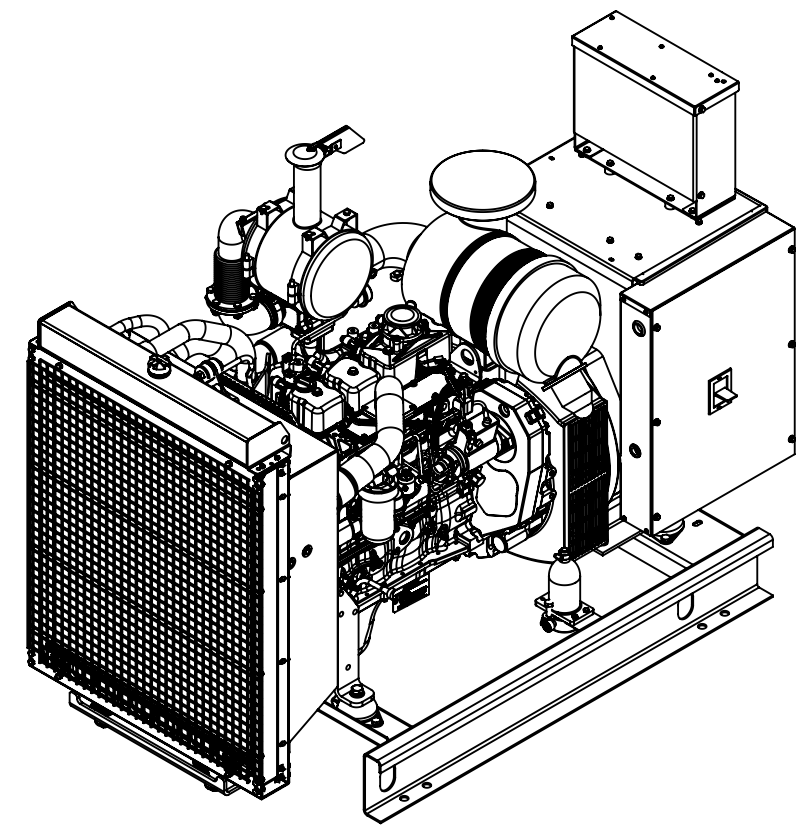
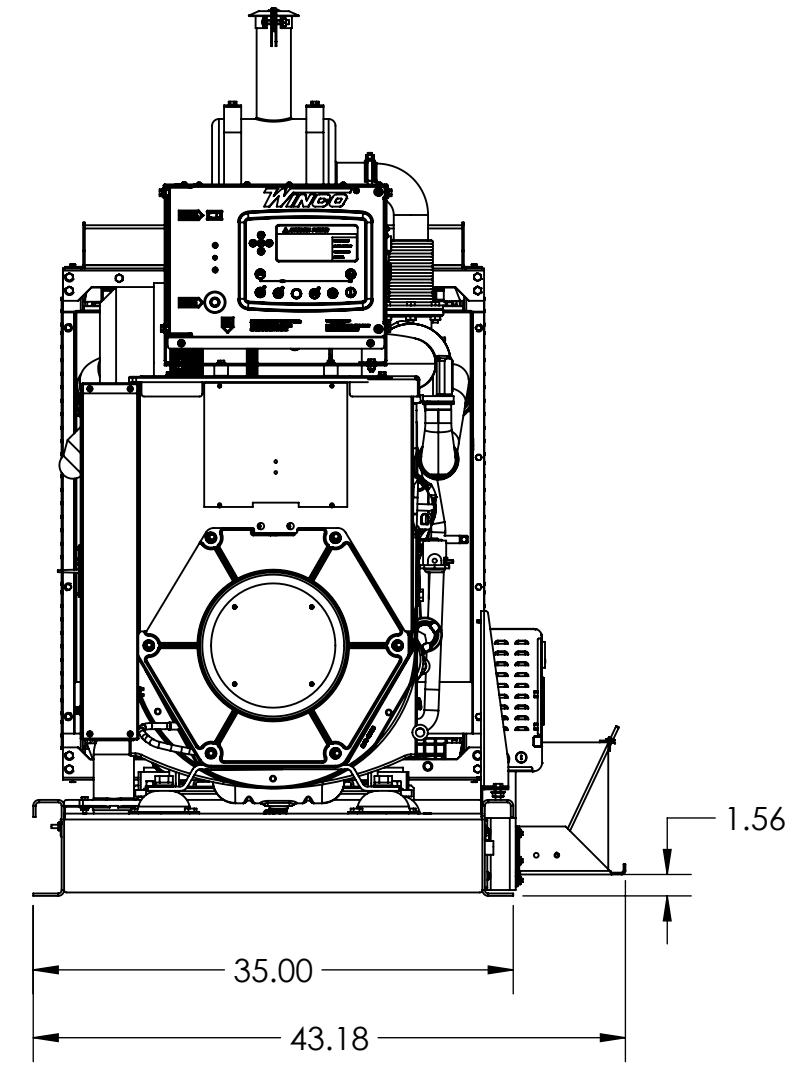
FRONT



LEFT SIDE



REAR



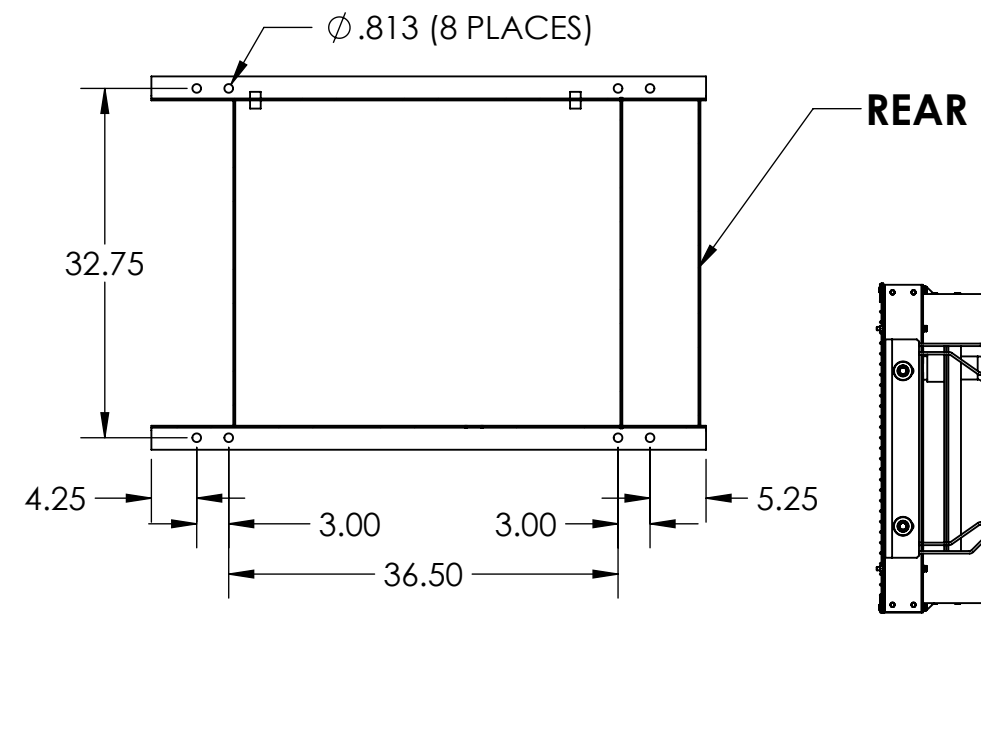
THIS DRAWING CONTAINS PROPRIETARY INFORMATION BELONGING TO WINCO. UNAUTHORIZED USE IS PROHIBITED.  ALL DIMENSIONS INCH ALL WEIGHT POUNDS	TOLERANCE: +/- 0.0625 DECIMAL	TITLE:
	WEIGHT: _____ LBS	OUTLINE DRAWING
	MODEL: DR90	DR90
<b>WINCO</b> ®		PART: O-581
		1 of 2

REVISIONS

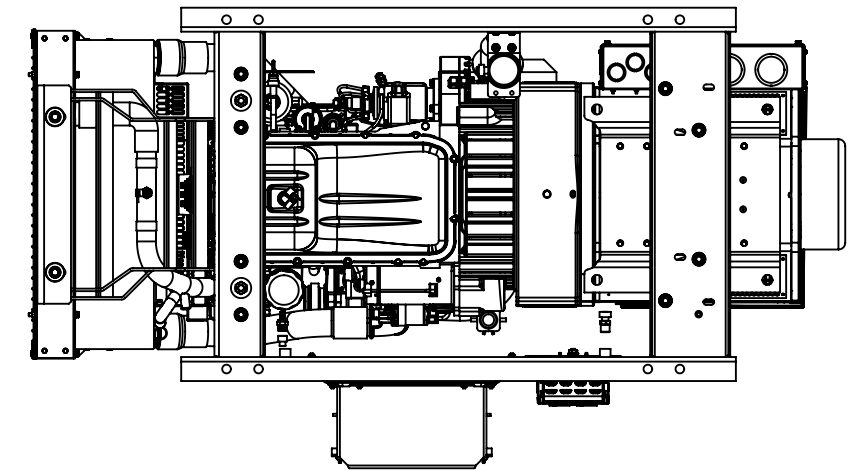
REV.	IRN	DESCRIPTION	DATE	BY	APP'D
A	DR90	NEW PART	11/6/2023	VP	DRC

189-O

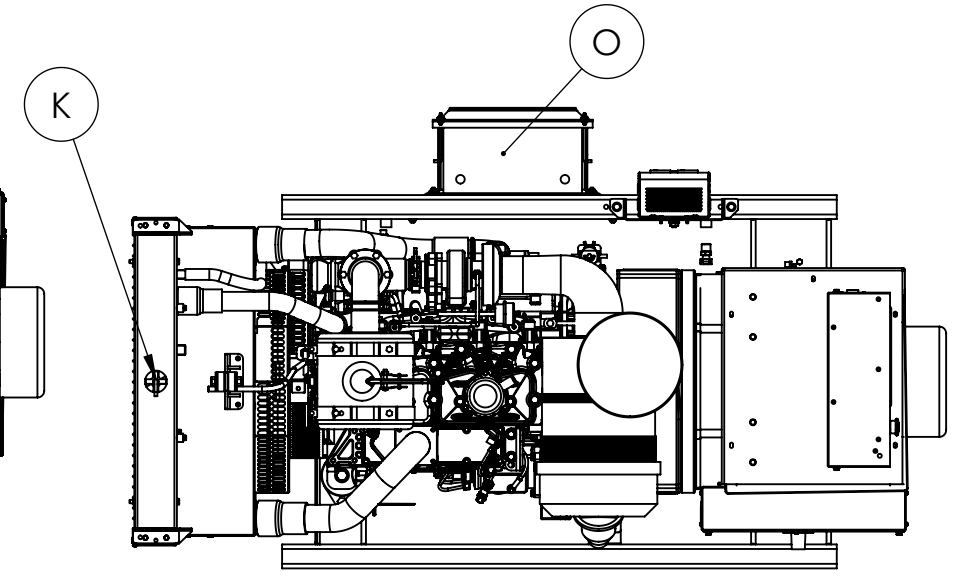
TOP VIEW HOLE PATTERN



REAR

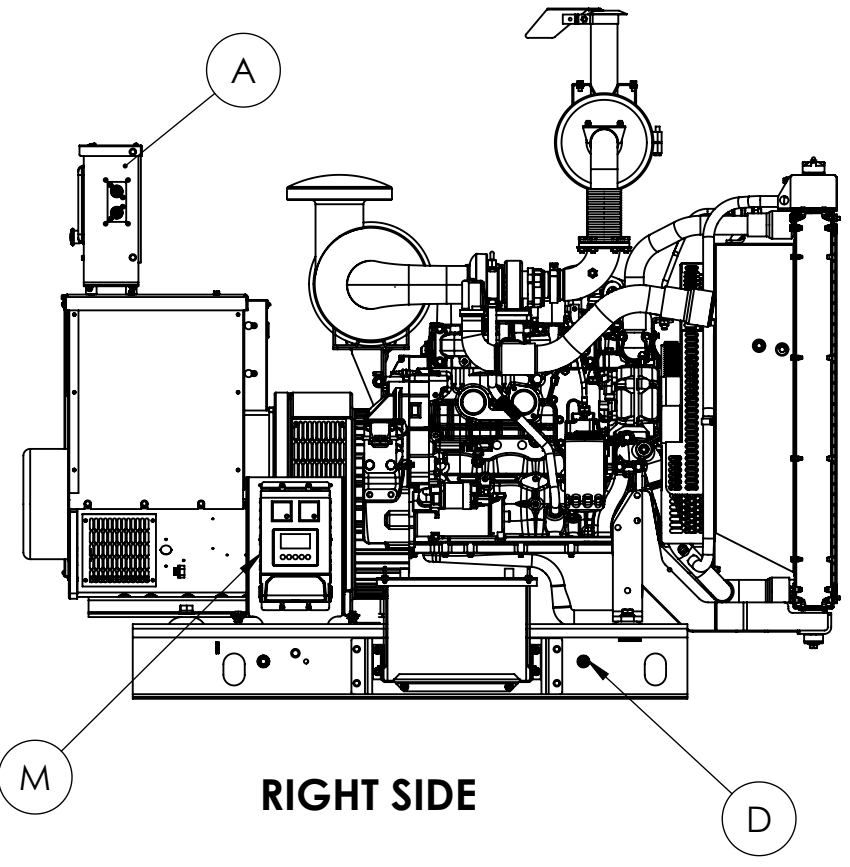


BOTTOM VIEW

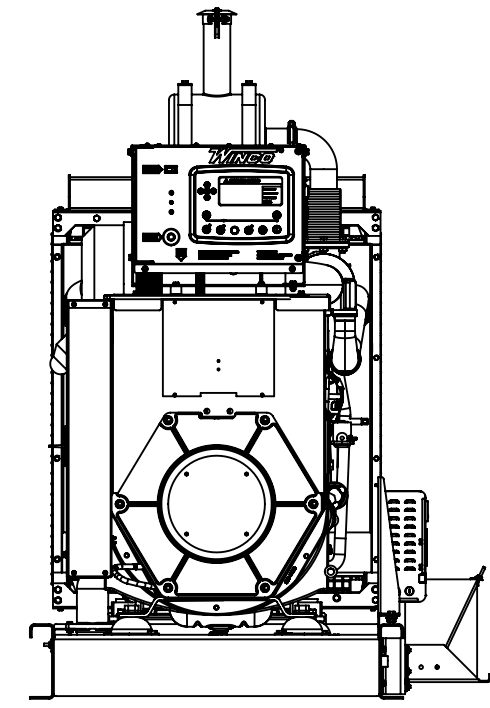


TOP VIEW

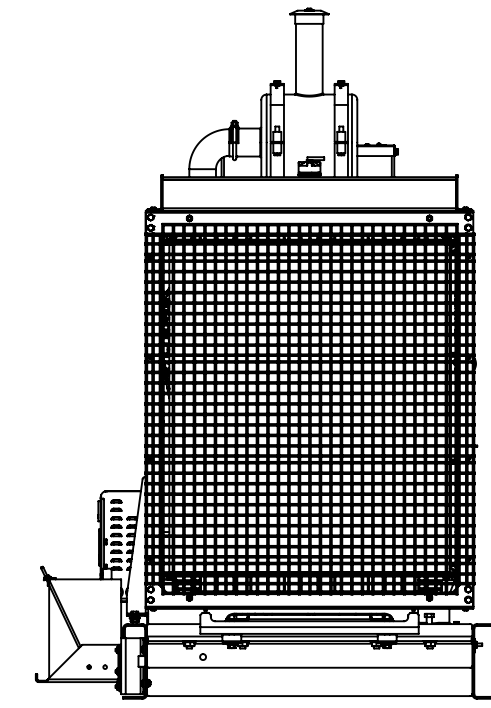
KEY COMPONENTS	
A	ENGINE CONTROL
B	-
C	OIL FILL
D	OIL DRAIN
E	OIL DIPSTICK
F	OIL FILTER
G	FUEL FILTER
H	FUEL INLET
I	AIR FILTER
J	COOLANT DRAIN
K	COOLANT FILL
L	AVR
M	BATTERY CHARGER
N	BLOCK HEATER
O	BATTERY



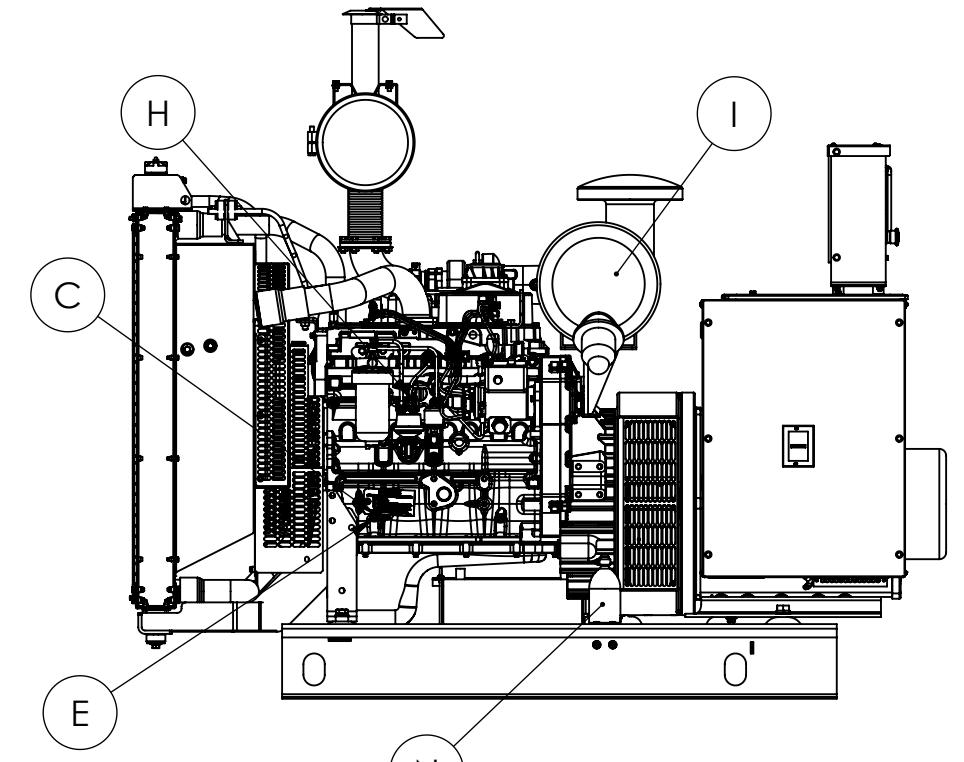
RIGHT SIDE



REAR



FRONT



LEFT SIDE

THIS DRAWING CONTAINS PROPRIETARY INFORMATION BELONGING TO WINCO. UNAUTHORIZED USE IS PROHIBITED.	TOLERANCE:	+/- 0.0625 DECIMAL +/- 1 DEG ANGULAR	TITLE: OUTLINE DRAWING DR90
	WEIGHT:	LBS	
	MODEL:	DR90	PART: O-581

