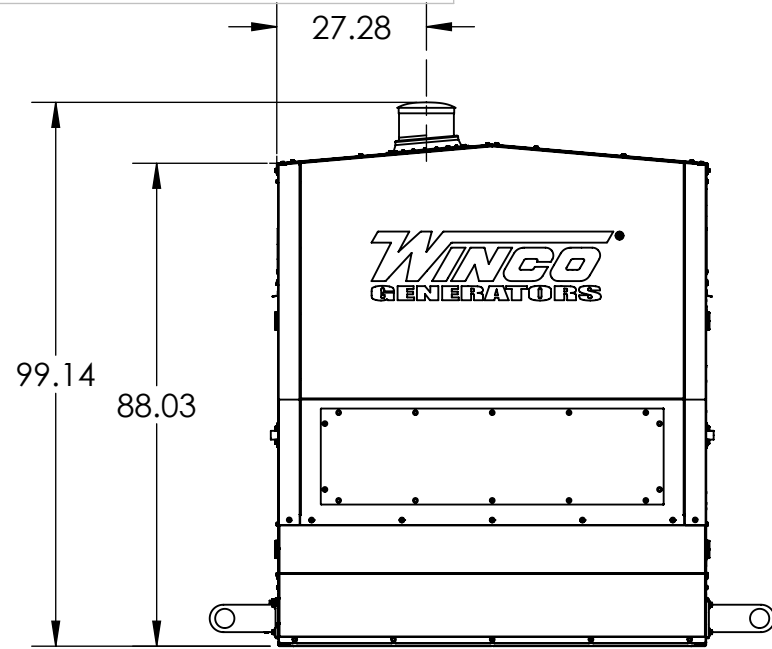
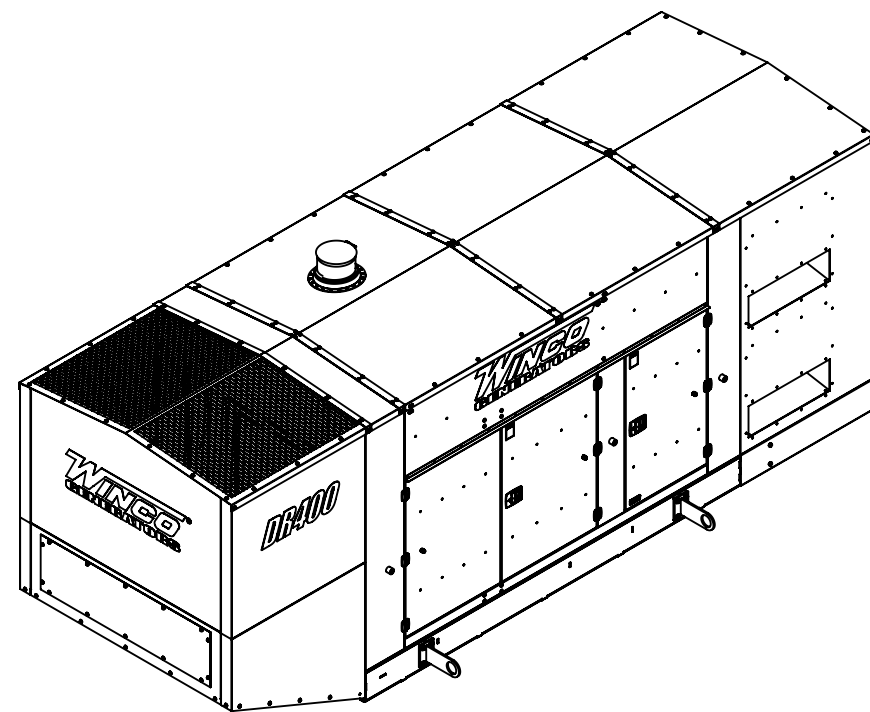


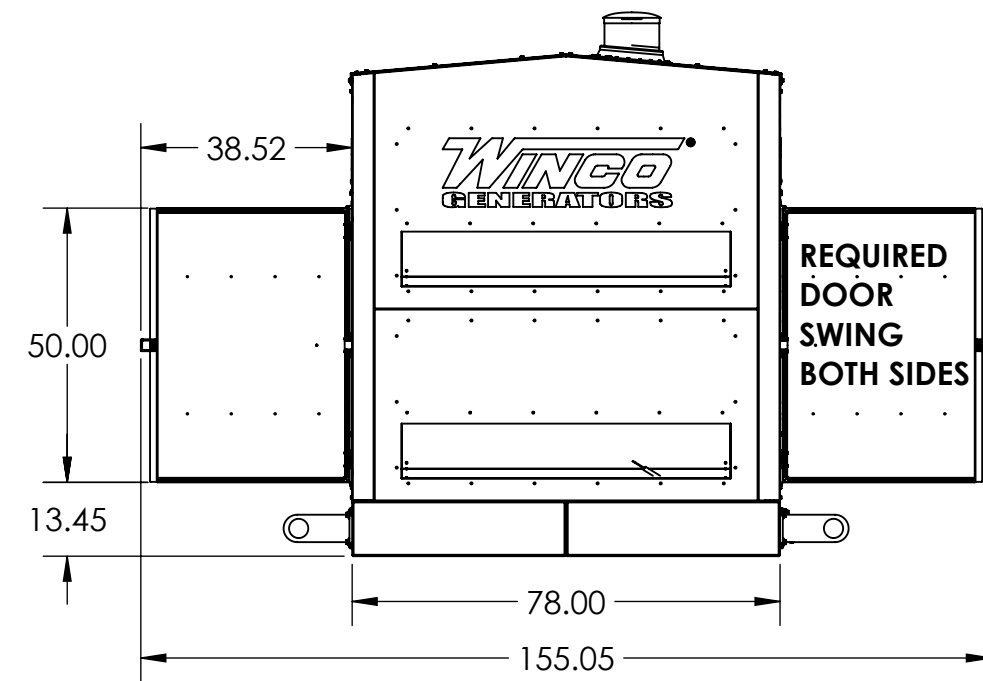
O-575



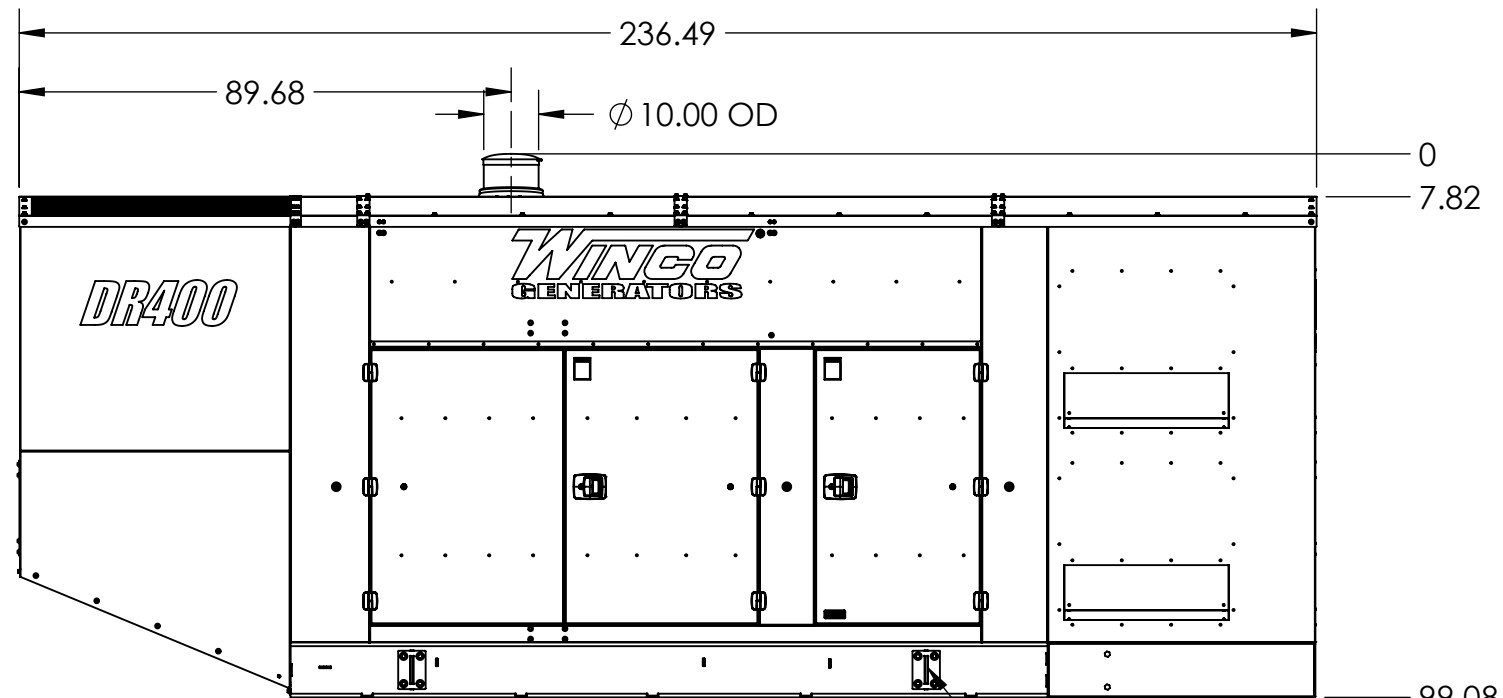
FRONT



REVISIONS					
REV.	IRN	DESCRIPTION	DATE	BY	APP'D
B	CA13666	REMOVED FUEL TANK INFORMATION	12/24/2023	VP	DRC



REAR



LEFT SIDE

LIFTING EYE
(4 PLACES)

APPROX. WEIGHT NO TANK (HOUSED): 11300 LBS

* SEE FUEL TANK DRAWINGS FOR CRITICAL LAYOUT INFORMATION *

THIS DRAWING CONTAINS
PROPRIETARY
INFORMATION BELONGING
TO WINCO.
UNAUTHORIZED USE IS
PROHIBITED

TOLERANCE: +/- 0.0625 DECIMAL
+/- 1 DEG ANGULAR
WEIGHT: LBS
MODEL: DR400



TITLE:
OUTLINE DRAWING

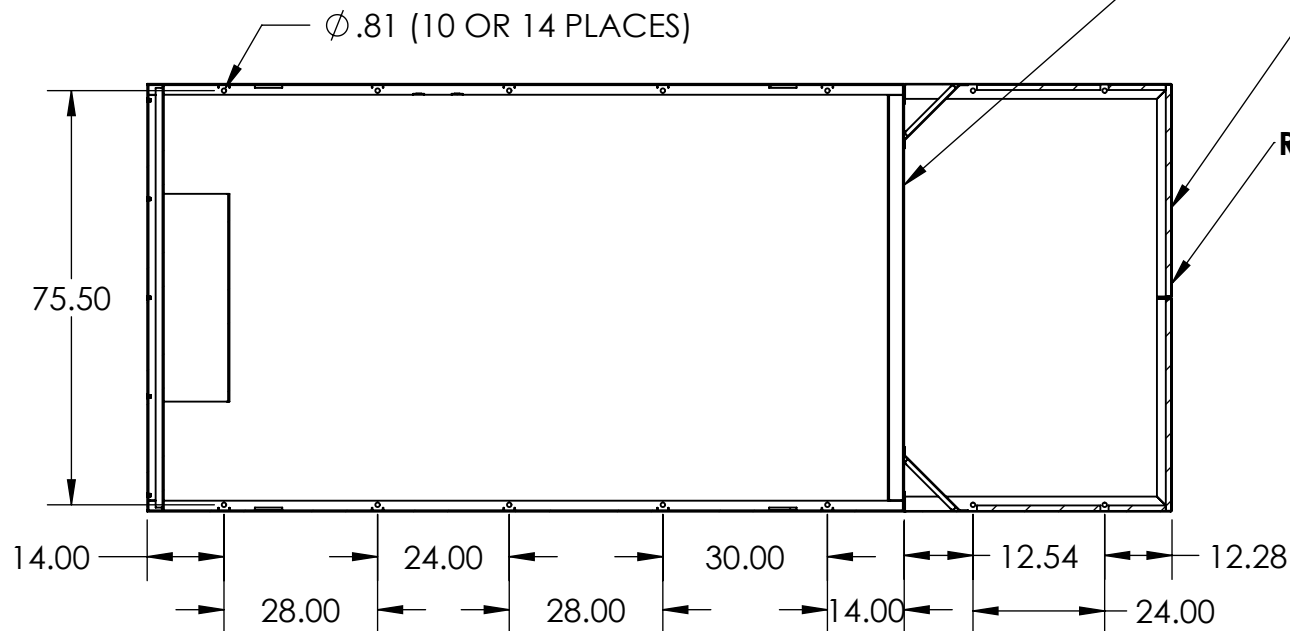
PART: O-575 1 of 2

575-O

TOP VIEW HOLE PATTERN

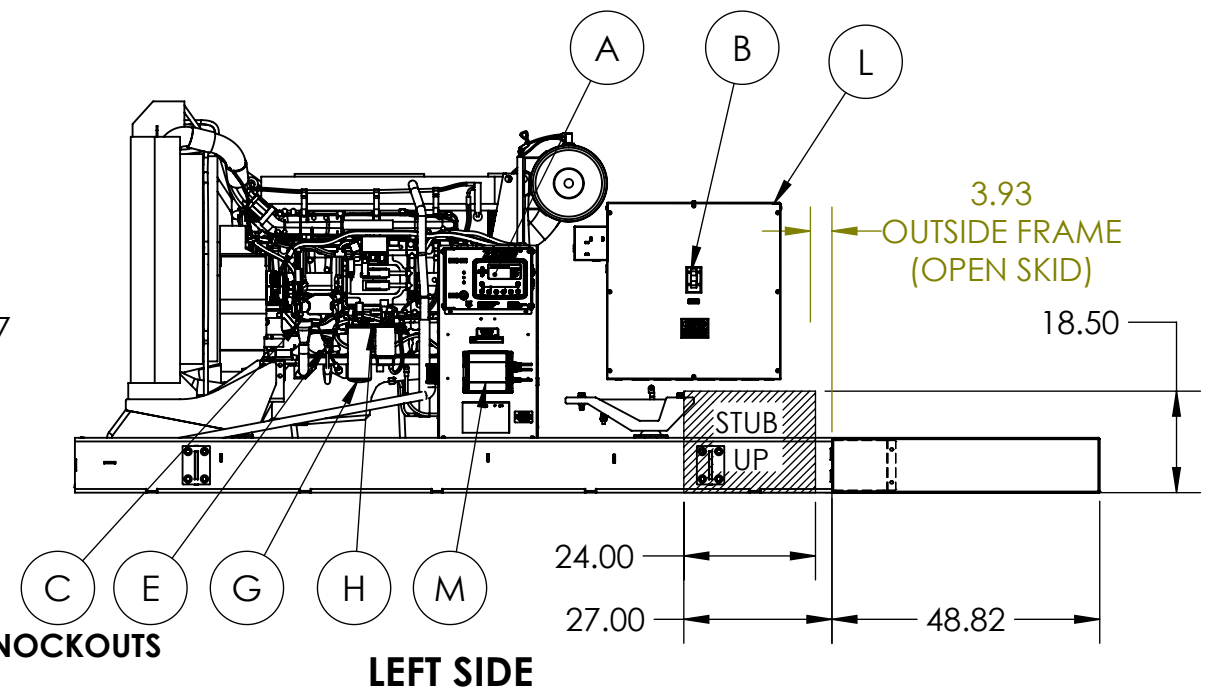
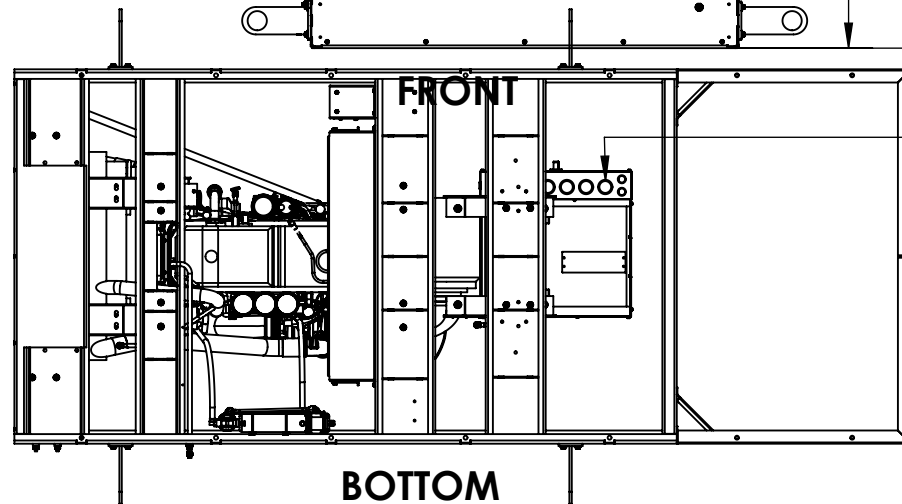
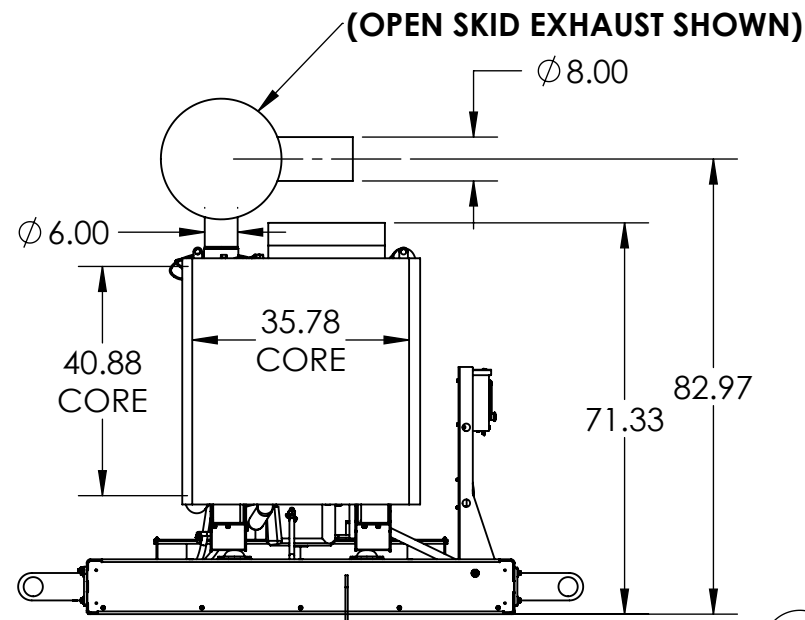
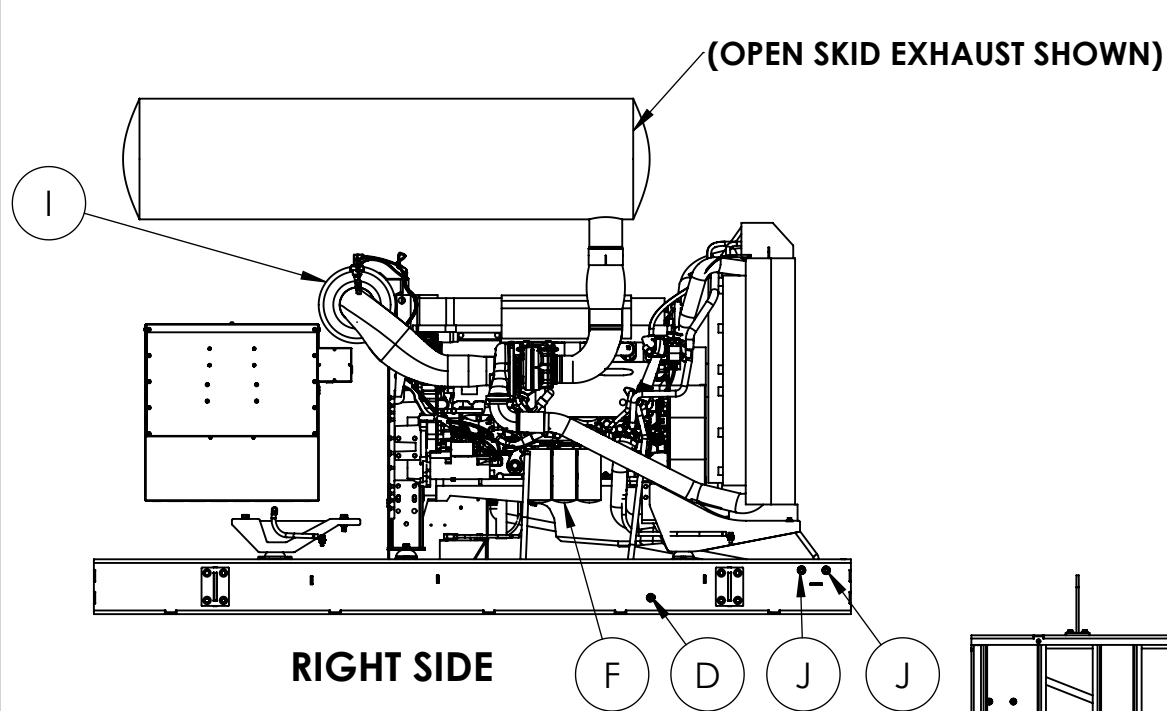
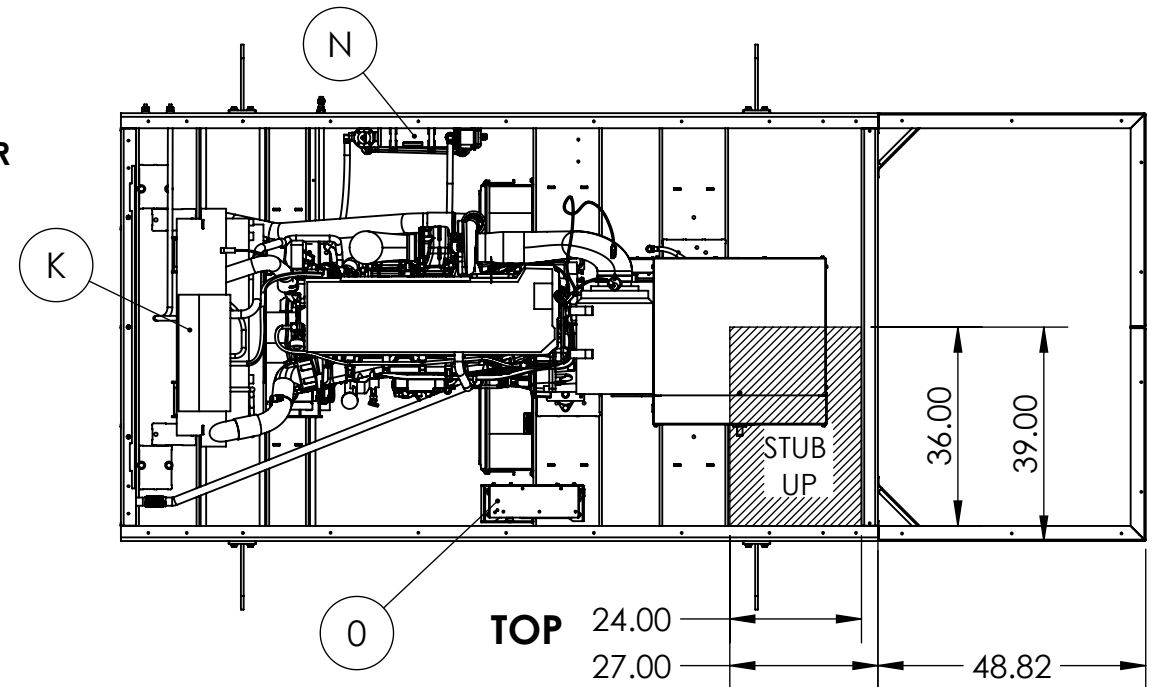
HOUSED FRAME ENDS HERE

OPEN SKID FRAME ENDS HERE



REVISIONS					
REV.	IRN	DESCRIPTION	DATE	BY	APP'D
B	CA13666	REMOVED FUEL TANK INFORMATION	12/24/2023	VP	DRC

KEY COMPONENTS	
A	ENGINE CONTROL
B	MAIN LINE CIRCUIT BREAKER
C	OIL FILL
D	OIL DRAIN
E	OIL DIPSTICK
F	OIL FILTER
G	FUEL FILTER
H	FUEL INLET
I	AIR FILTER
J	COOLANT DRAIN
K	COOLANT FILL
L	AVR
M	BATTERY CHARGER
N	BLOCK HEATER
O	BATTERY



APPROX. WEIGHT (OPEN SKID): 8950 LBS

THIS DRAWING CONTAINS PROPRIETARY INFORMATION BELONGING TO WINCO. UNAUTHORIZED USE IS PROHIBITED. ALL DIMENSIONS INCH ALL WEIGHT POUNDS

TOLERANCE: +/- 0.0625 DECIMAL
 +/- 1 DEG ANGULAR
 WEIGHT: _____ LBS
 MODEL: DR400
WINCO®

TITLE: OUTLINE DRAWING
 PART: O-575 2 of 2