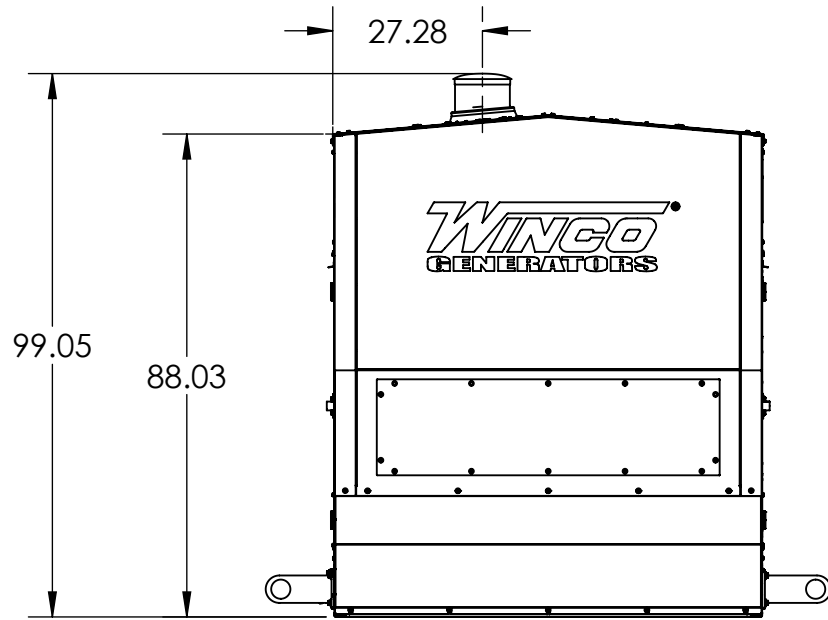
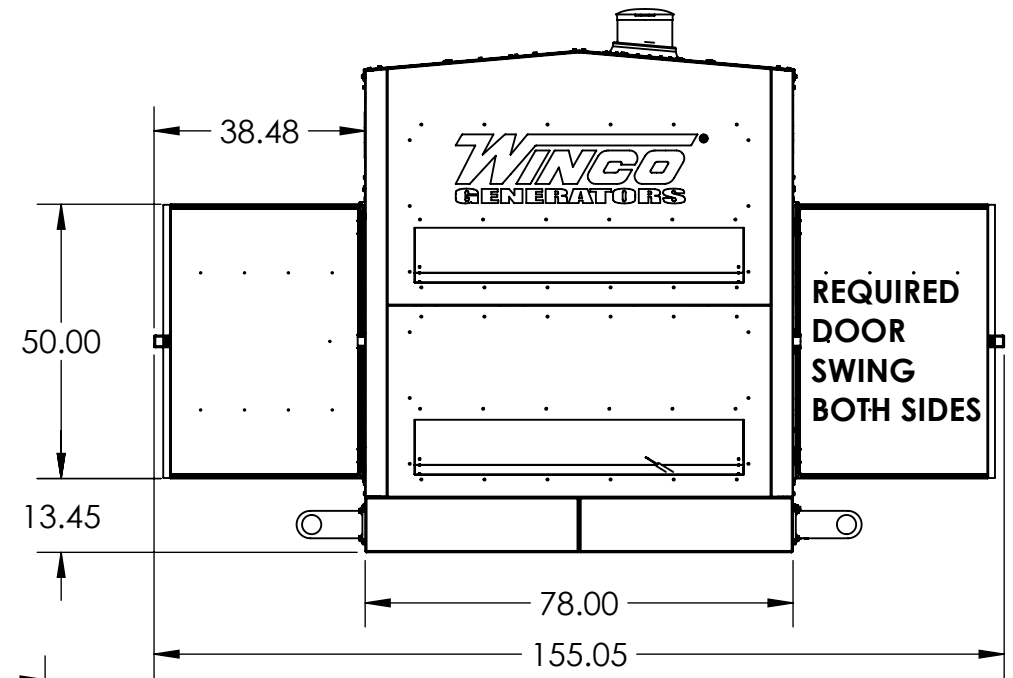
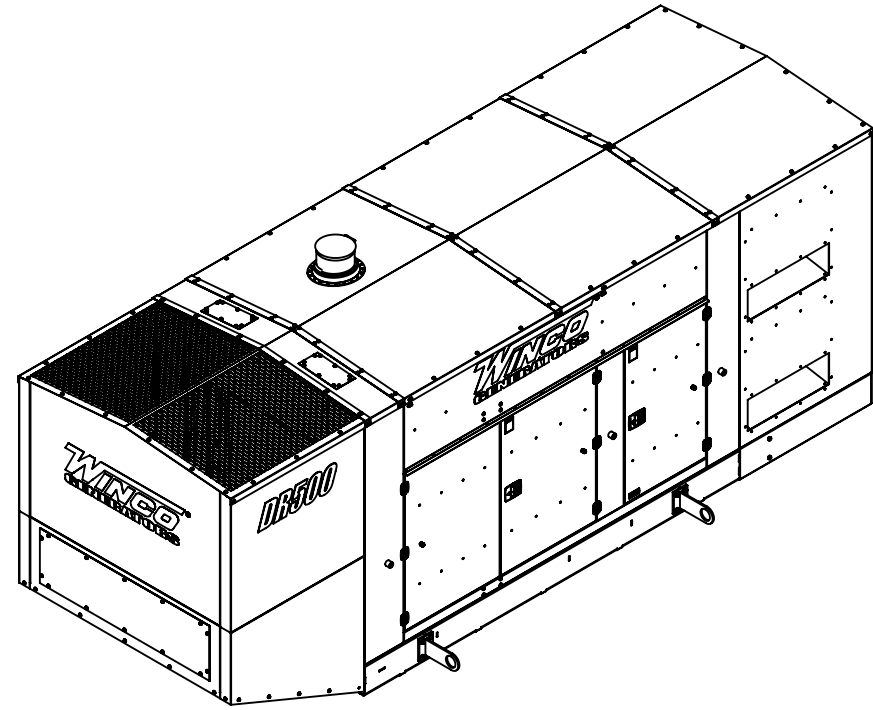


O-574

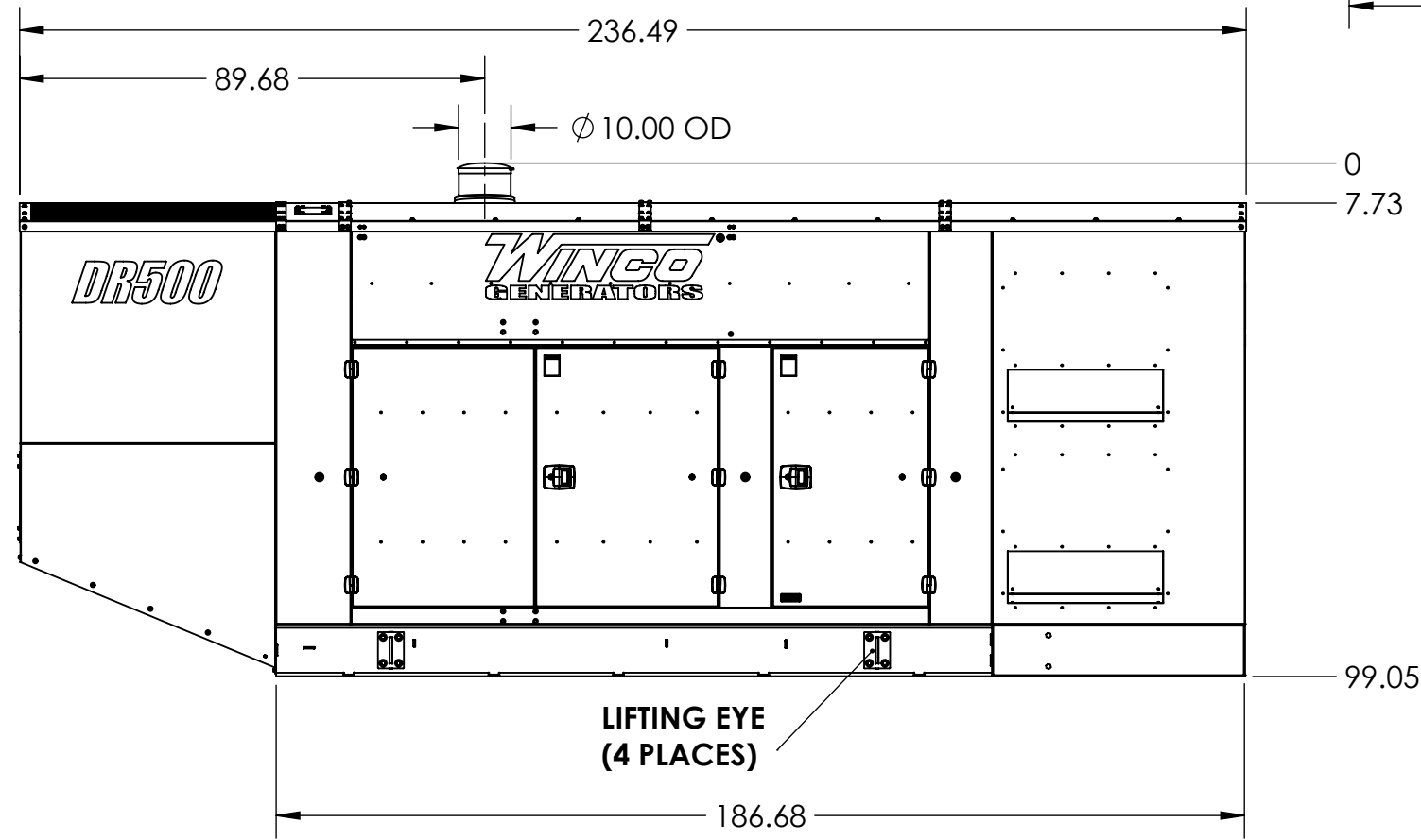
REVISIONS					
REV.	IRN	DESCRIPTION	DATE	BY	APP'D
B	CA13666	REMOVED FUEL TANK INFORMATOIONS	12/24/2023	VP	DRC



FRONT



REAR



LEFT SIDE

APPROX. WEIGHT NO TANK (HOUSED): 11,500 LBS

*** SEE FUEL TANK DRAWINGS FOR CRITICAL LAYOUT INFORMATION ***

THIS DRAWING CONTAINS PROPRIETARY INFORMATION BELONGING TO WINCO. UNAUTHORIZED USE IS PROHIBITED.	TOLERANCE:	+/- 0.0625 DECIMAL +/- 1 DEG ANGULAR	TITLE: OUTLINE DRAWING
	WEIGHT:	LBS	
	MODEL:	DR450, DR500, DR550	PART: O-574
ALL DIMENSIONS INCH ALL WEIGHT POUNDS	WINCO ®		1 of 2

0-574

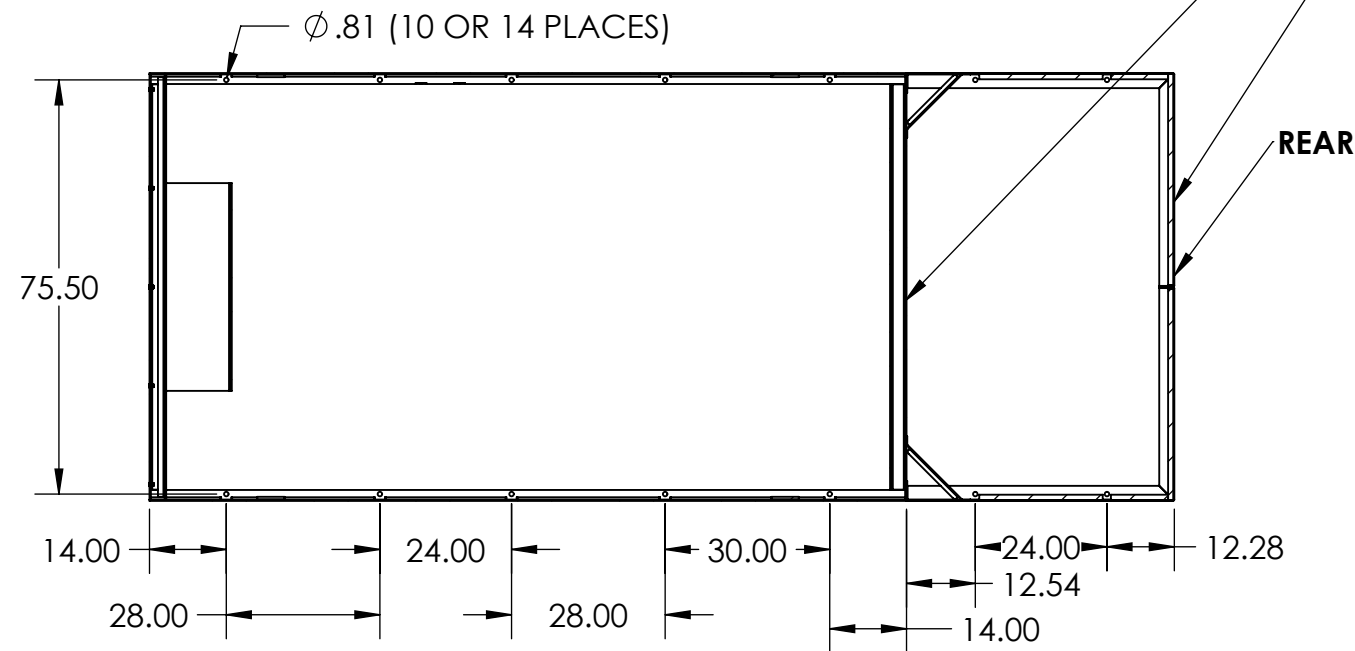
KEY COMPONENTS

A	ENGINE CONTROL
B	MAIN LINE CIRCUIT BREAKER
C	OIL FILL
D	OIL DRAIN
E	OIL DIPSTICK
F	OIL FILTER
G	FUEL FILTER
H	FUEL INLET
I	AIR FILTER
J	COOLANT DRAIN
K	COOLANT FILL
L	AVR
M	BATTERY CHARGER
N	BLOCK HEATER
O	BATTERY

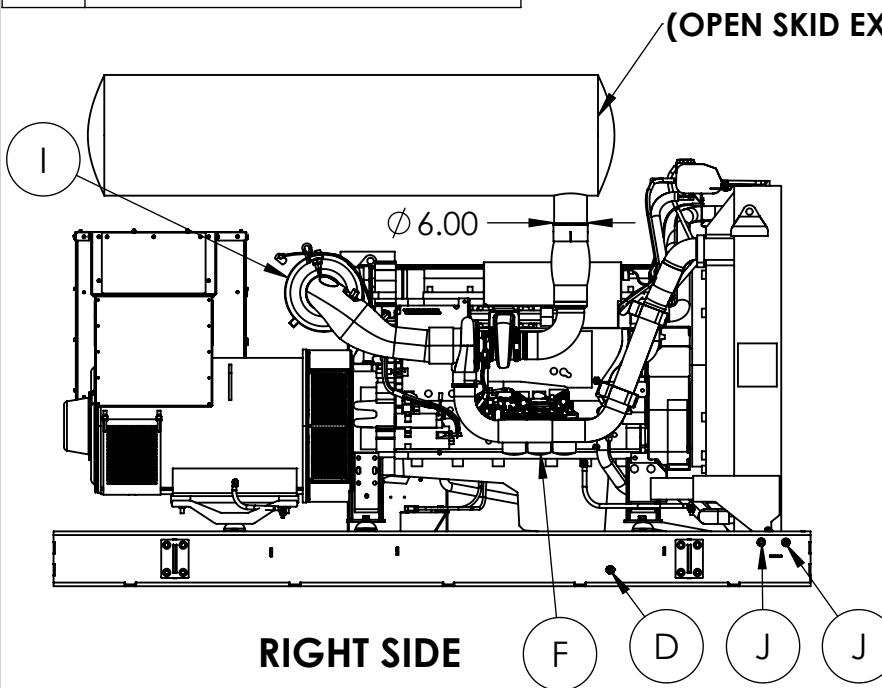
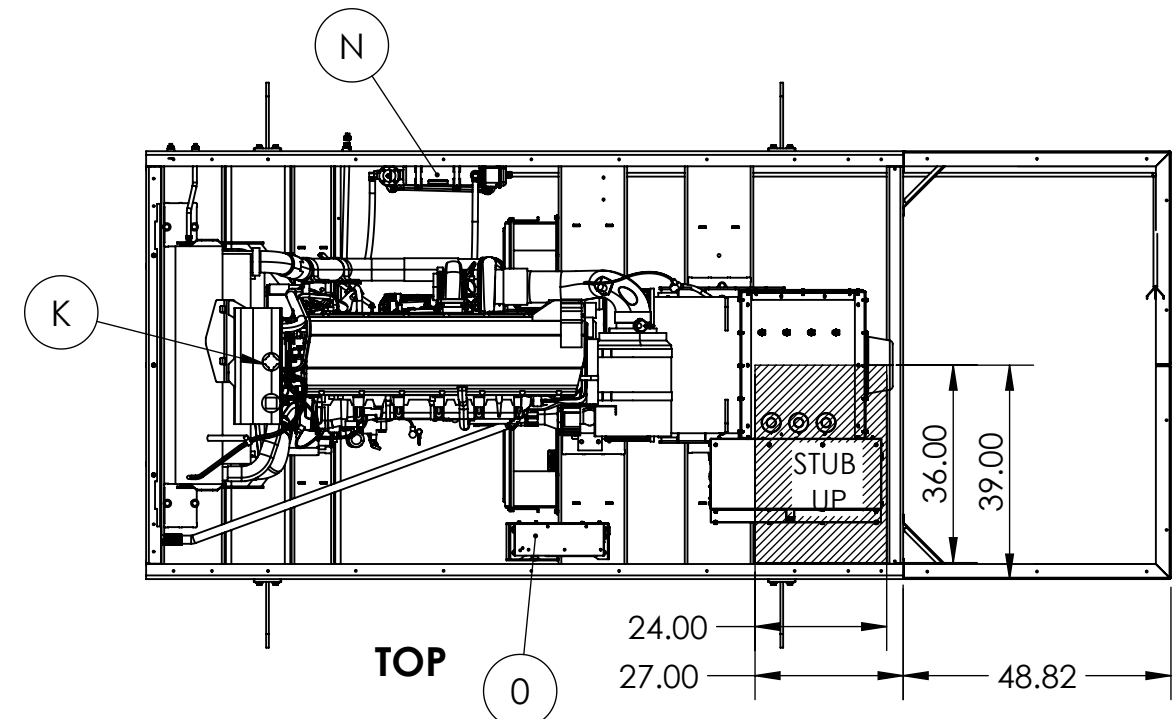
TOP VIEW HOLE PATTERN

HOUSED FRAME ENDS HERE

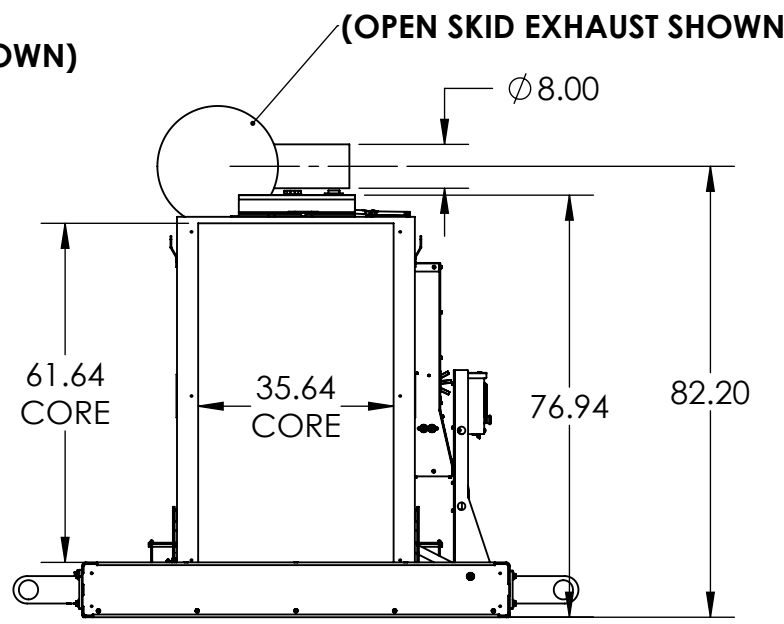
OPEN SKID FRAME ENDS HERE



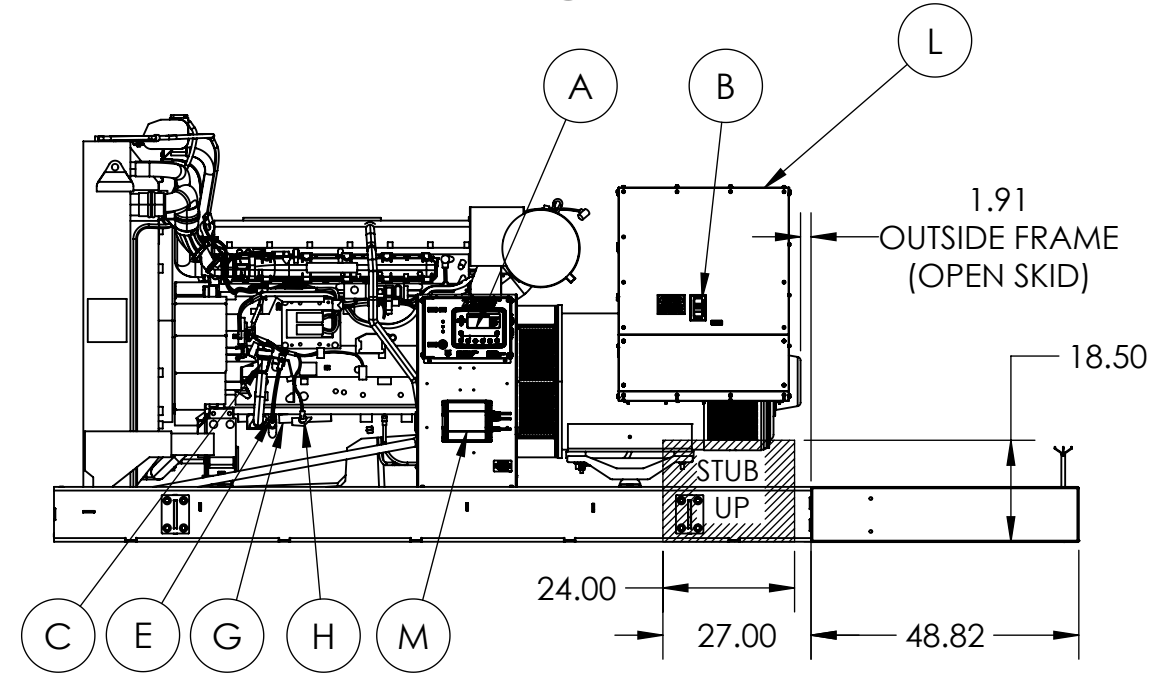
REVISIONS					
REV.	IRN	DESCRIPTION	DATE	BY	APP'D
B	CA13666	REMOVED FUEL TANK INFORMATOIONS	12/24/2023	VP	DRC



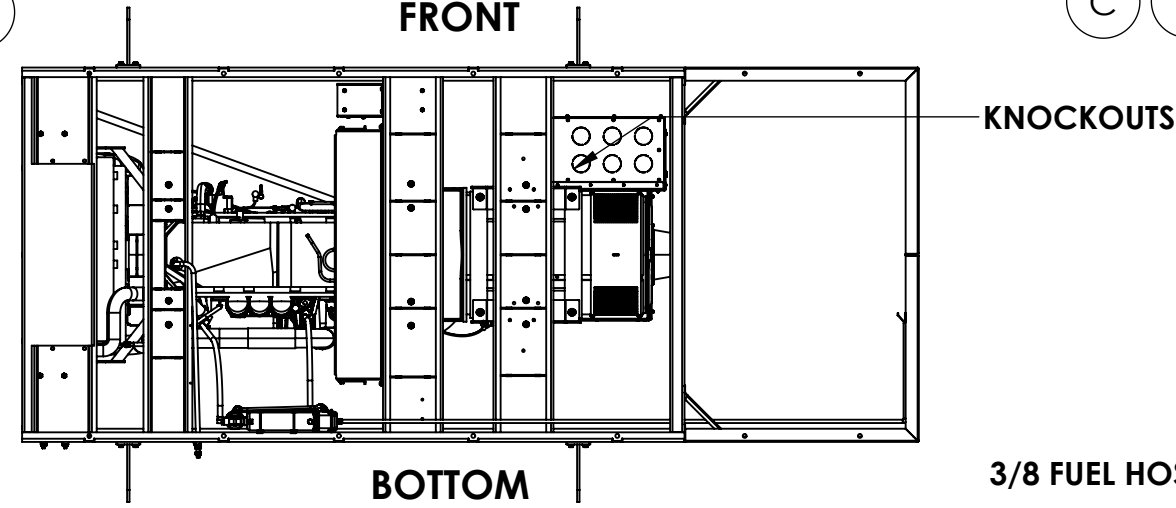
(OPEN SKID EXHAUST SHOWN)



(OPEN SKID EXHAUST SHOWN)



LEFT SIDE



KNOCKOUTS

APPROX. WEIGHT (OPEN SKID): 9270 LBS

THIS DRAWING CONTAINS PROPRIETARY INFORMATION BELONGING TO WINCO. UNAUTHORIZED USE IS PROHIBITED.	TOLERANCE:	+/- 0.0625 DECIMAL +/- 1 DEG ANGULAR	TITLE:	OUTLINE DRAWING
	WEIGHT:	LBS	PART: O-574	
	MODEL:	DR450, DR500, DR550		
ALL DIMENSIONS INCH ALL WEIGHT POUNDS		WINCO ®		

3/8 FUEL HOSE