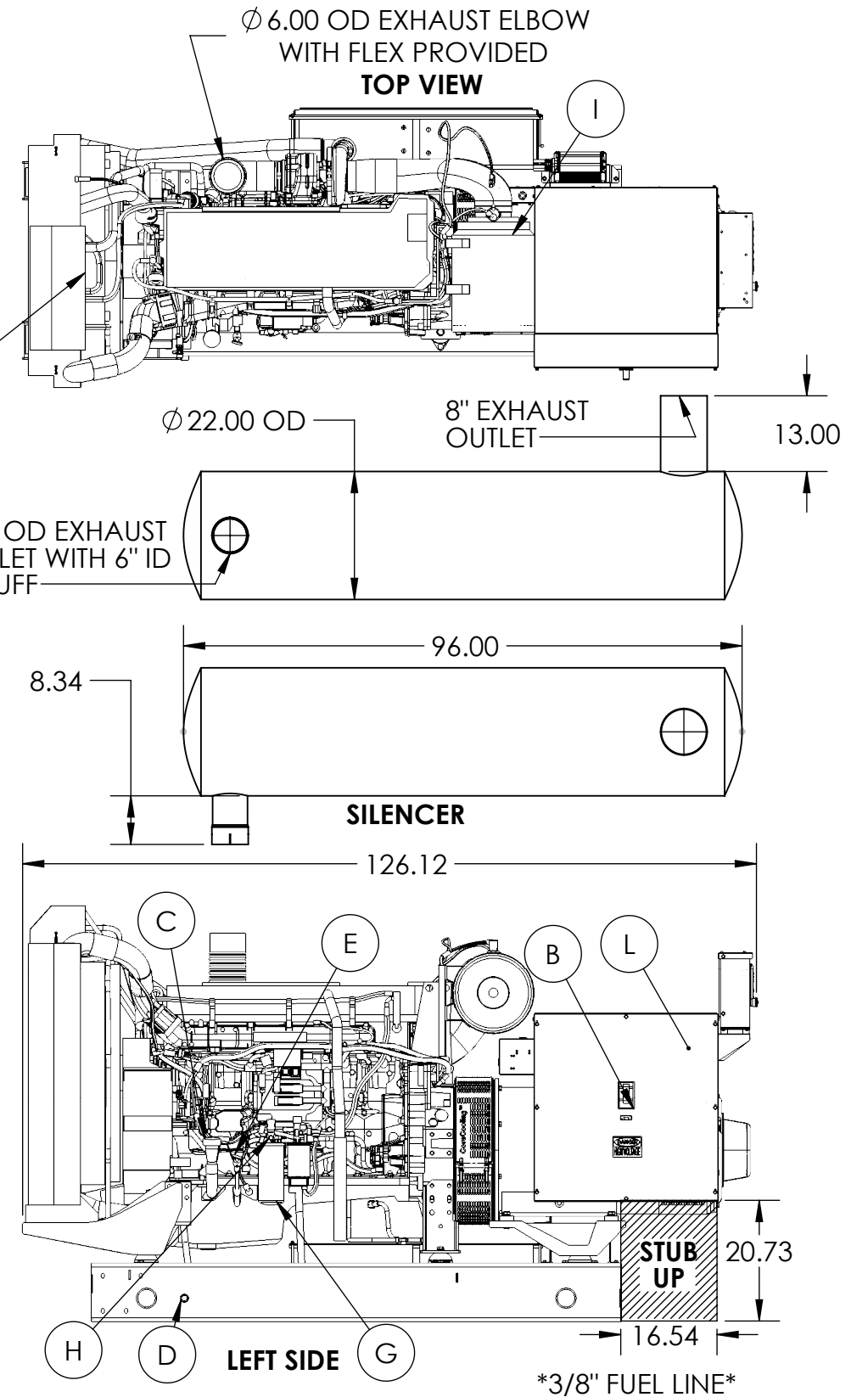
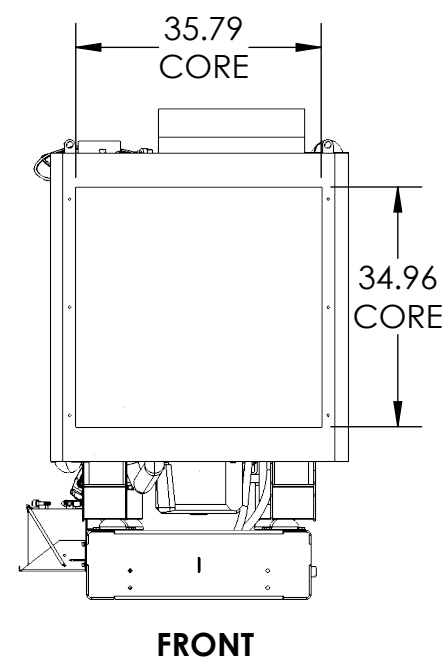
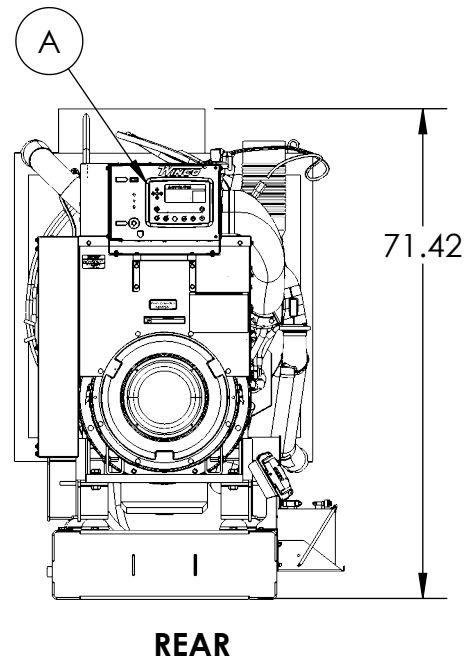
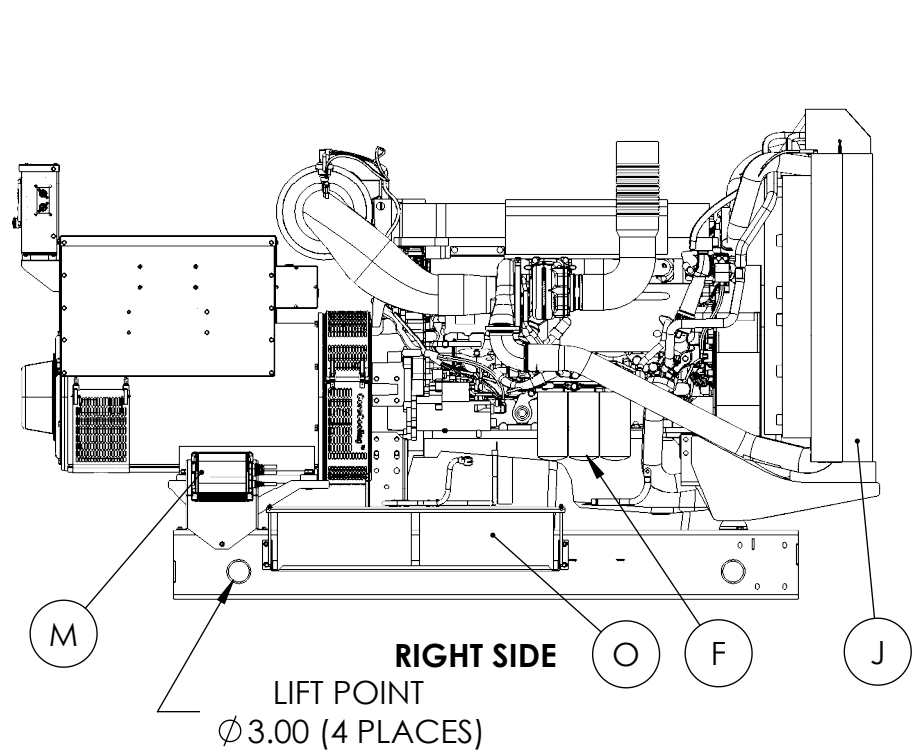
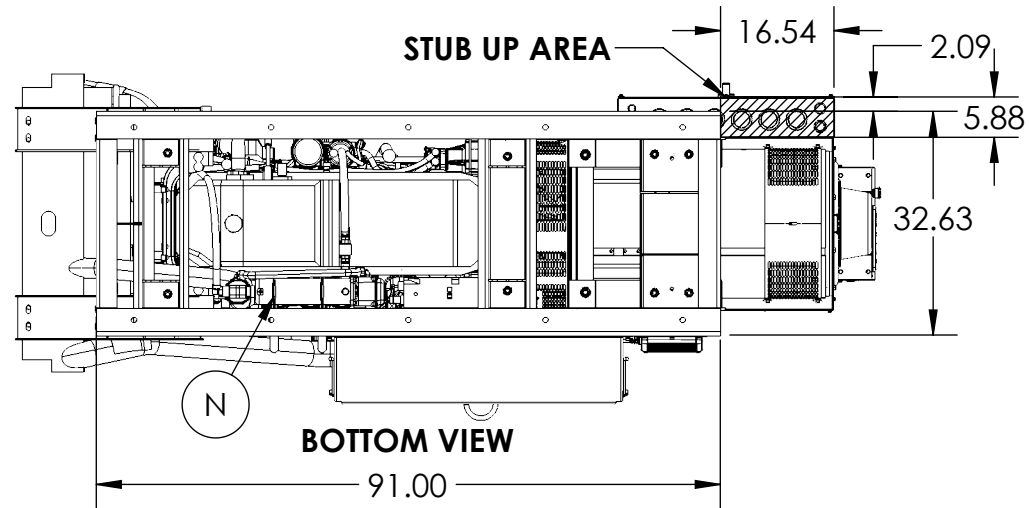
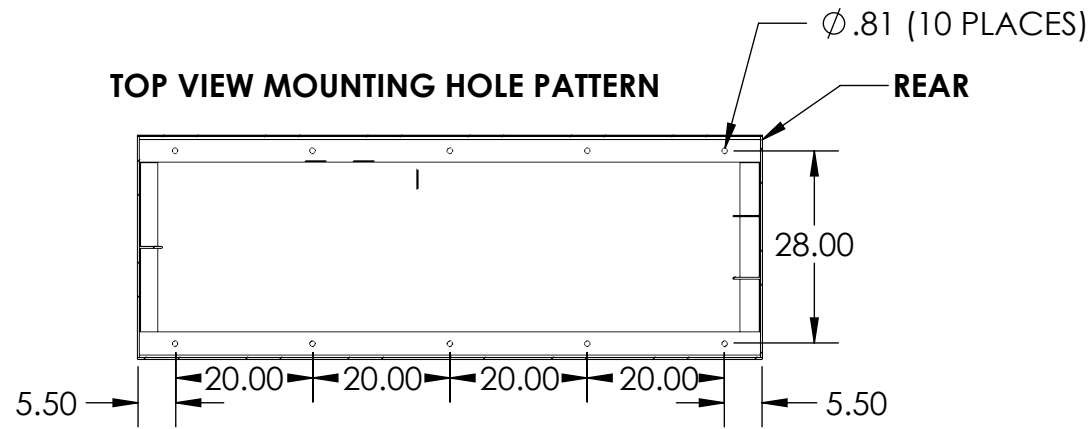


199-O

KEY COMPONENTS	
A	ENGINE CONTROL
B	MAIN LINE CIRCUIT BREAKER
C	OIL FILL
D	OIL DRAIN
E	OIL DIPSTICK
F	OIL FILTER
G	FUEL FILTER
H	FUEL INLET
I	AIR FILTER
J	COOLANT DRAIN
K	COOLANT FILL
L	AVR
M	BATTERY CHARGER
N	BLOCK HEATER
O	BATTERY



REV.	IRN	DESCRIPTION	DATE	BY	APPROVED
A	P347	NEW PART	10/26/2021	MCB	DRC

DRAWN BY	DATE	CHK'D BY	DATE	ENG APPR.	DATE
TDS	7/22/2021			---	--/--
TOLERANCE:	+/- 0.0625 DECIMAL		TITLE: OUTLINE DRAWING - DR400 NARROW		
	+/- 1 DEG ANGULAR				
MODEL:	DR400		PART: O-558		

APPROXIMATE WEIGHT: 2350 lbs

THIS DRAWING CONTAINS PROPRIETARY INFORMATION BELONGING TO WINCO. UNAUTHORIZED USE IS PROHIBITED.

ALL DIMENSIONS INCH