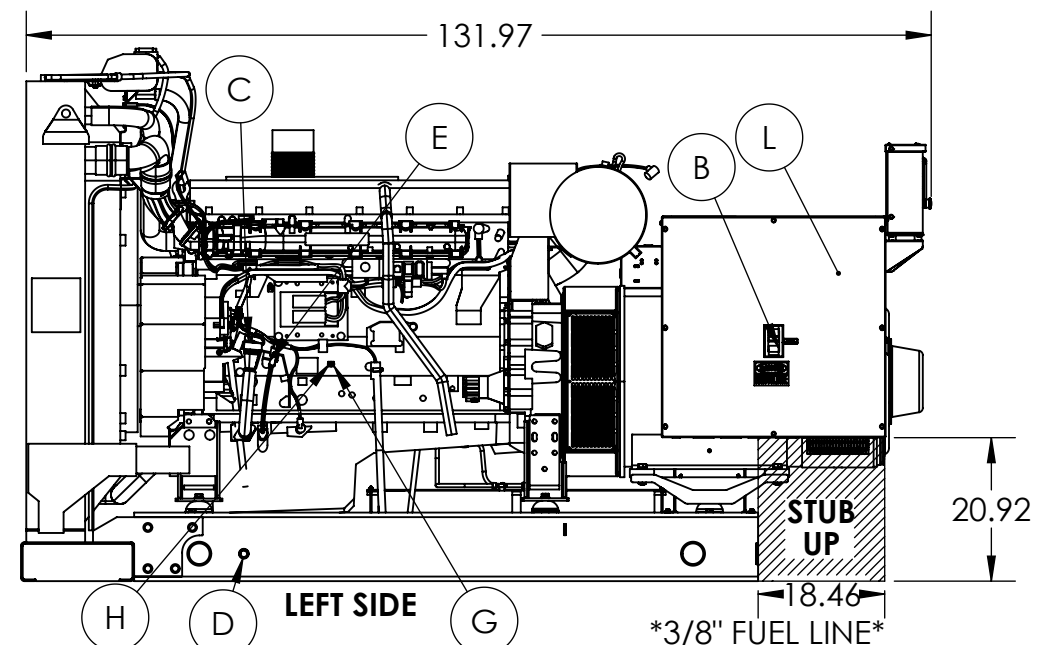
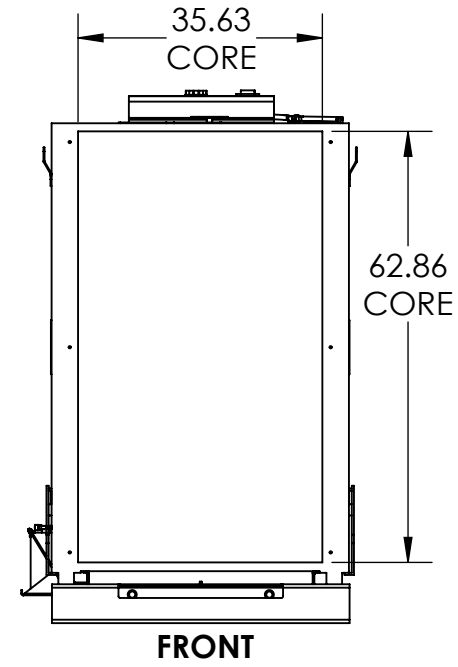
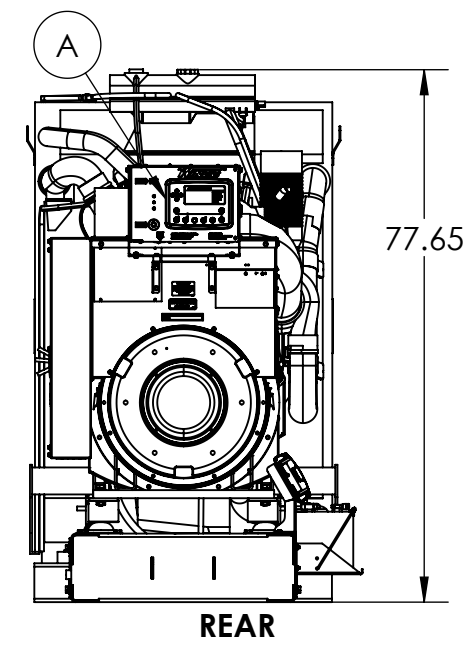
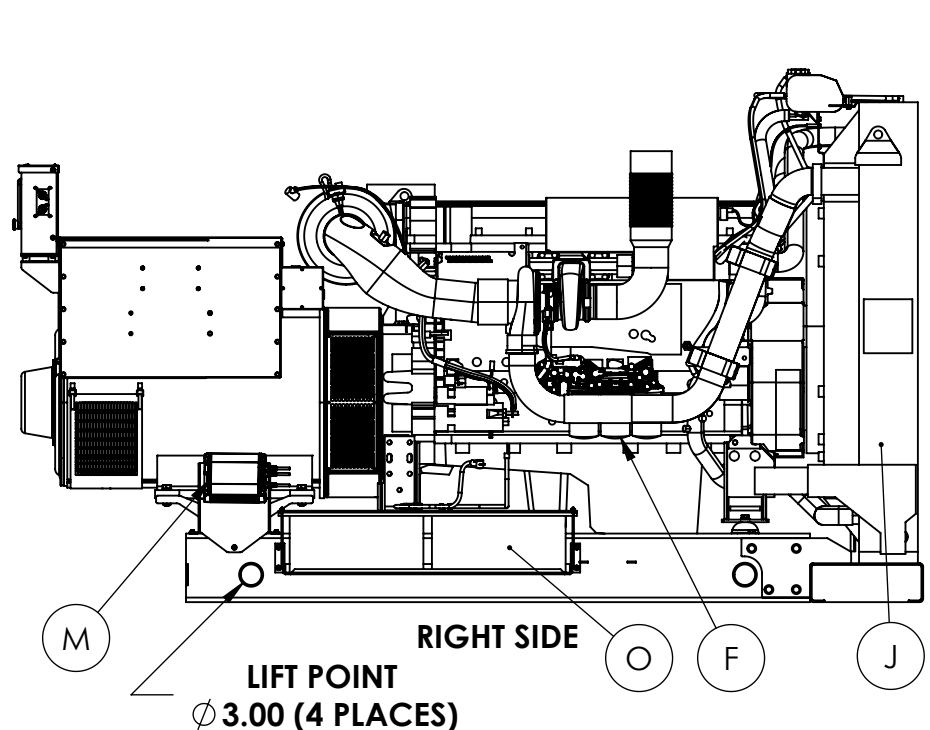
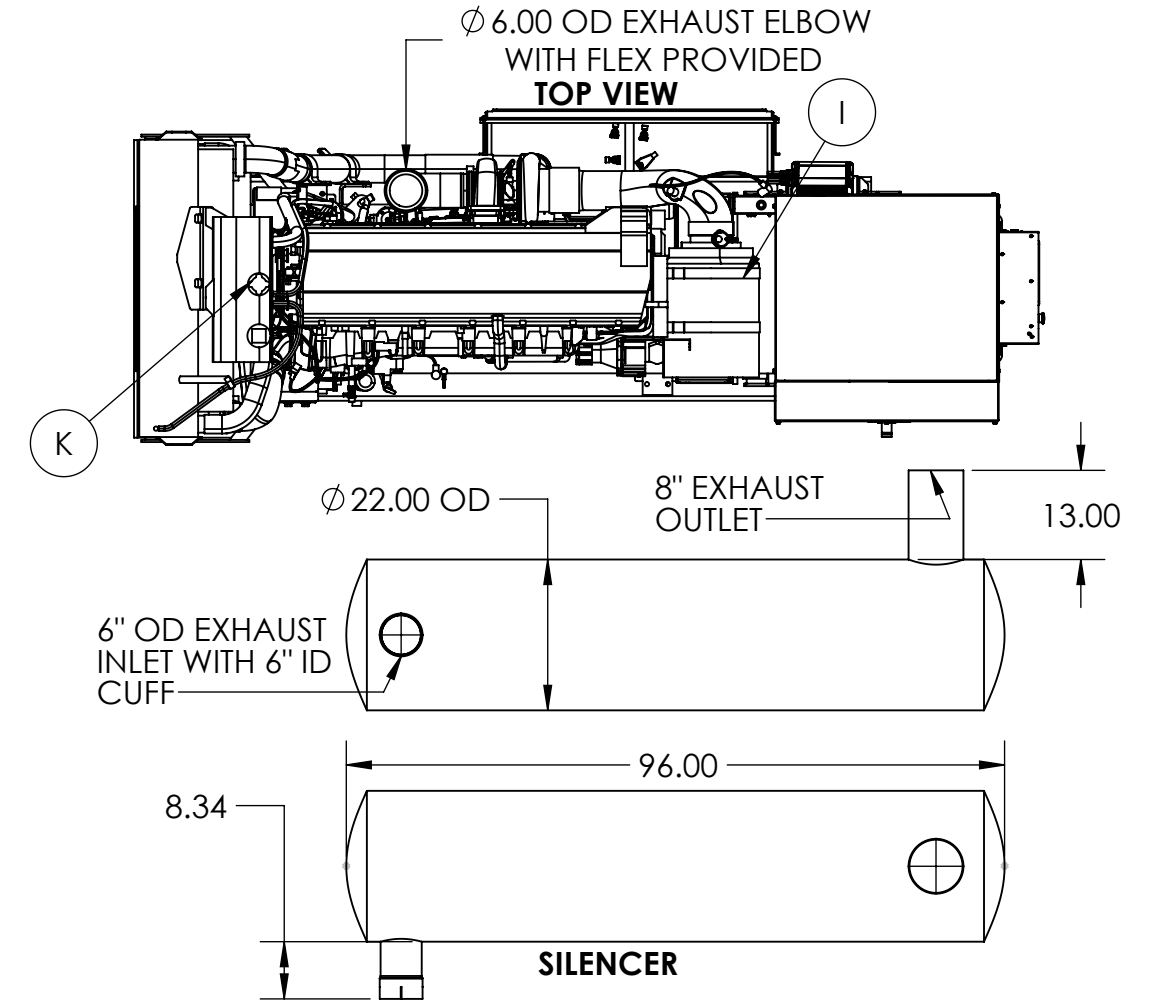
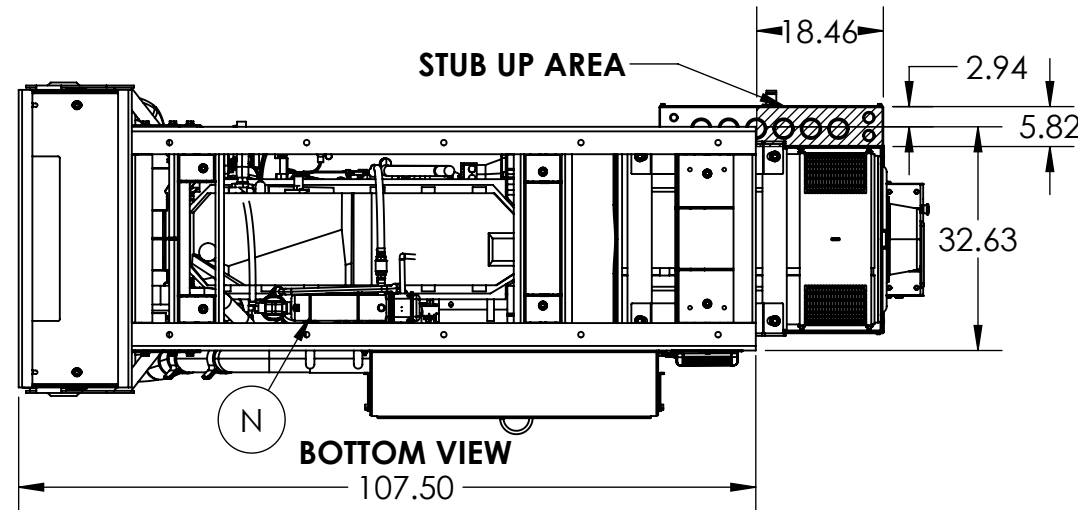
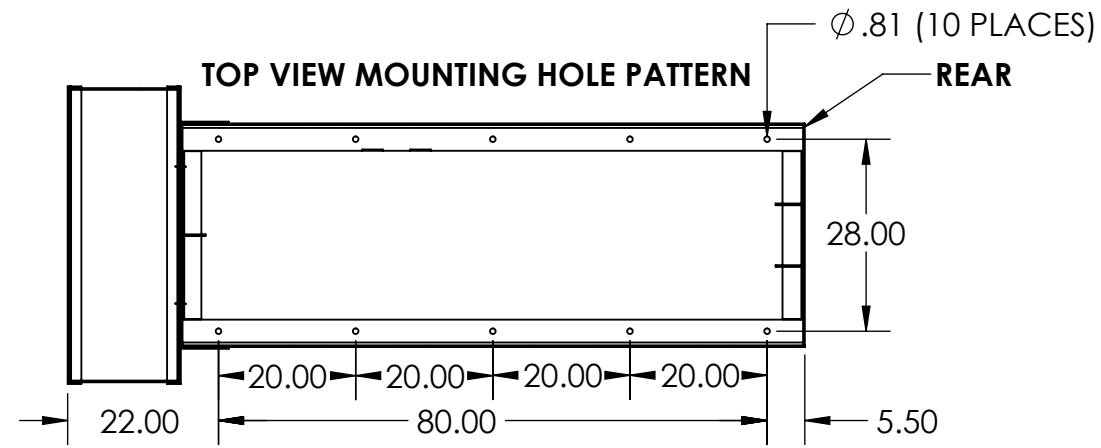


0-557

KEY COMPONENTS	
A	ENGINE CONTROL
B	MAIN LINE CIRCUIT BREAKER
C	OIL FILL
D	OIL DRAIN
E	OIL DIPSTICK
F	OIL FILTER
G	FUEL FILTER
H	FUEL INLET
I	AIR FILTER
J	COOLANT DRAIN
K	COOLANT FILL
L	AVR
M	BATTERY CHARGER
N	BLOCK HEATER
O	BATTERY



APPROXIMATE WEIGHT: 2350 lbs

REV.	IRN	DESCRIPTION	DATE	BY	APPROVED
A	P347	NEW PART	10/26/2021	MCB	DRC

<p>THIS DRAWING CONTAINS PROPRIETARY INFORMATION BELONGING TO WINCO. UNAUTHORIZED USE IS PROHIBITED.</p> <p>ALL DIMENSIONS INCH</p>	DRAWN BY	DATE	CHK'D BY	DATE	ENG APPR.	DATE
	TDS	7/22/2021			---	--/------
	TOLERANCE:	+/- 0.0625 DECIMAL		TITLE: OUTLINE DRAWING - DR400, DR500, DR550 NARROW		
		+/- 1 DEG ANGULAR		PART: O-557		
	MODEL:	DR450, DR500, DR550				