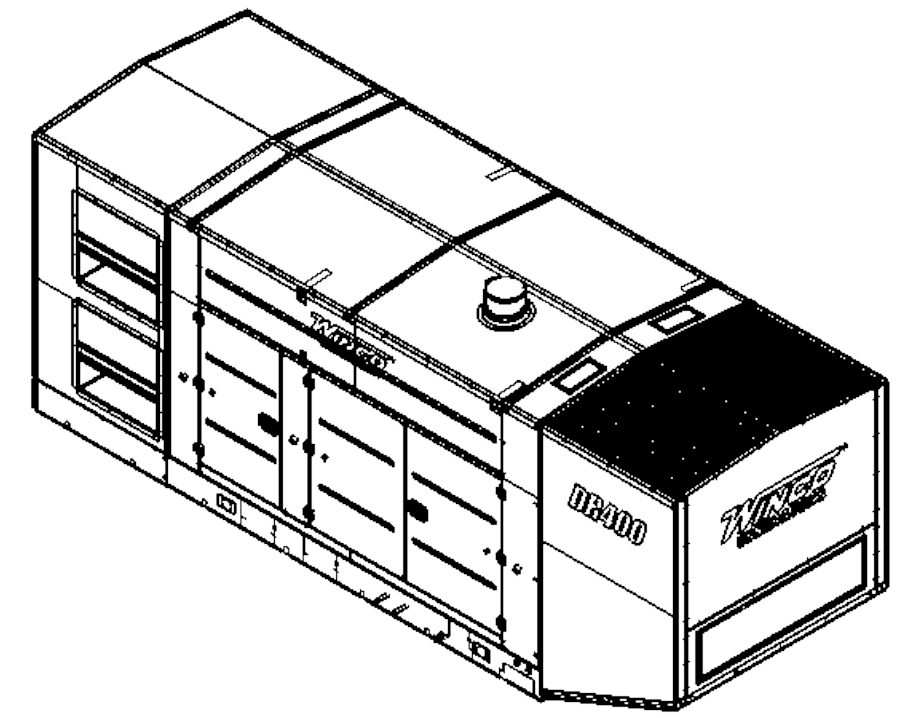
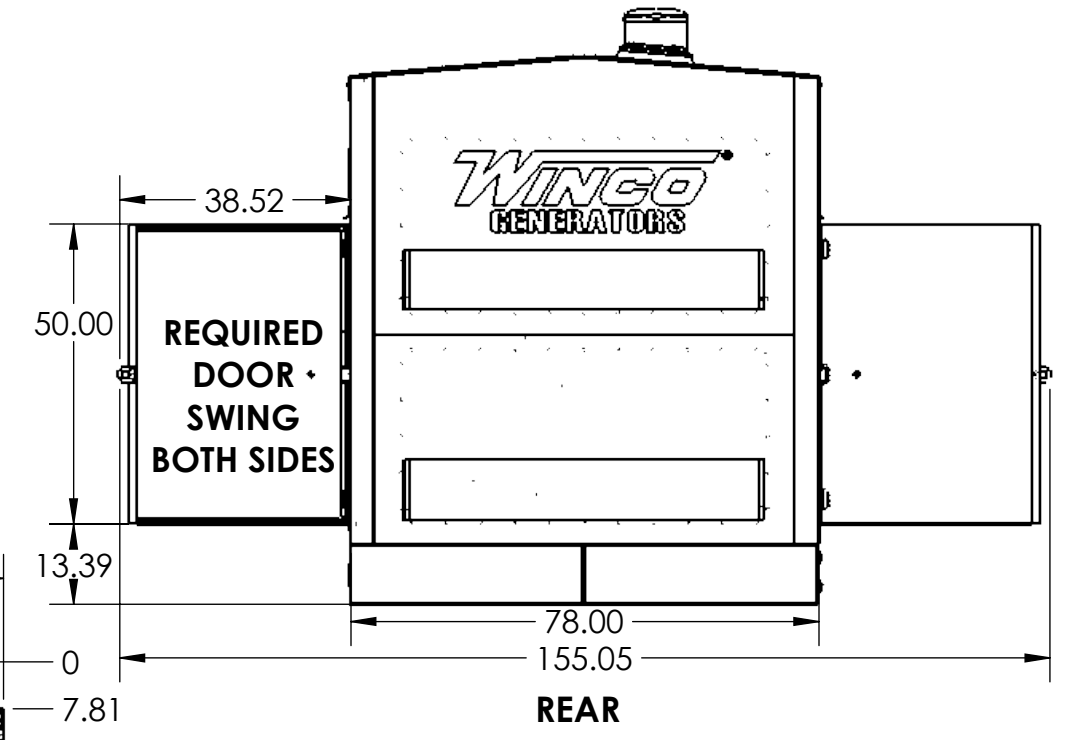
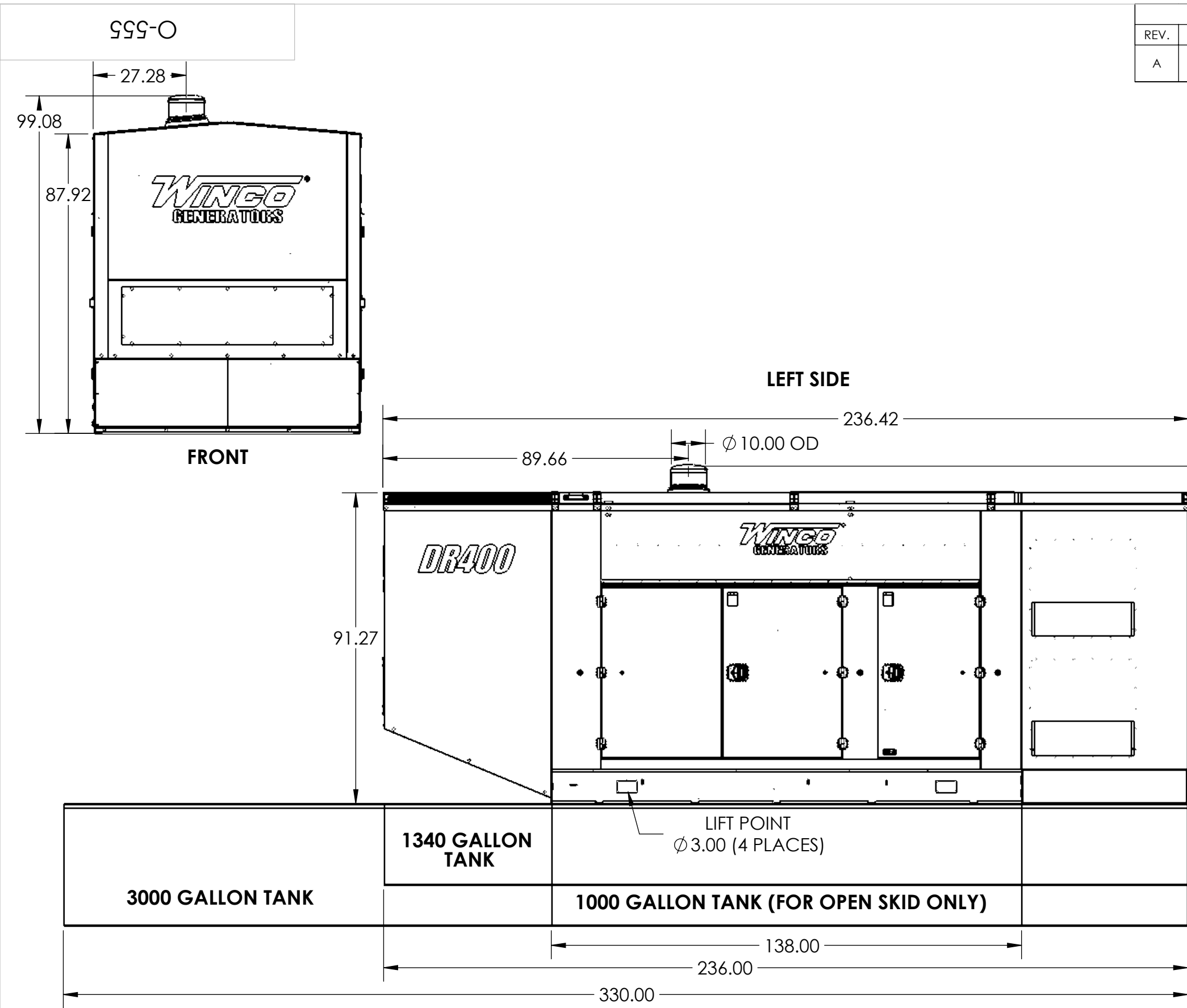


REVISIONS					
REV.	IRN	DESCRIPTION	DATE	BY	APP'D
A	P318	NEW RELEASE	9/16/2021	MCB	DRC



**APPROX. WEIGHT NO TANK (HOUSED): 11,300 LBS**

- 1000 GAL TANK: 3700 LBS**
- 1340 GAL TANK: 5100 LBS**
- 3000 GAL TANK: 8400 LBS**

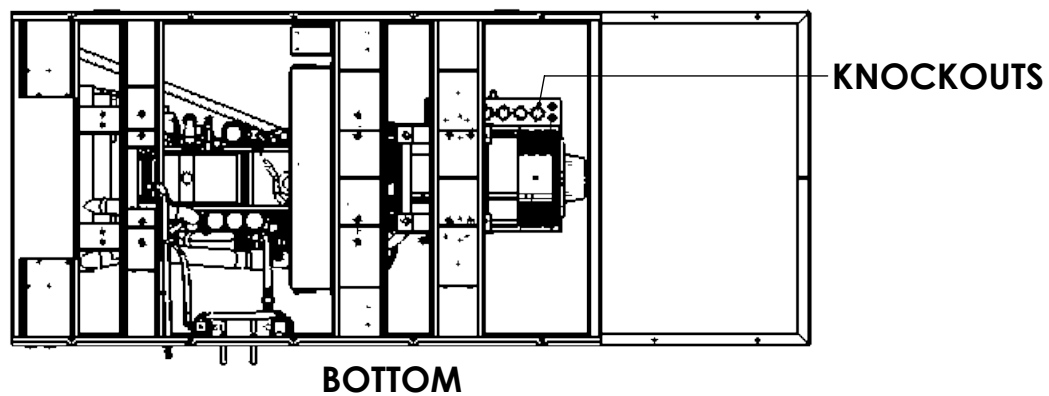
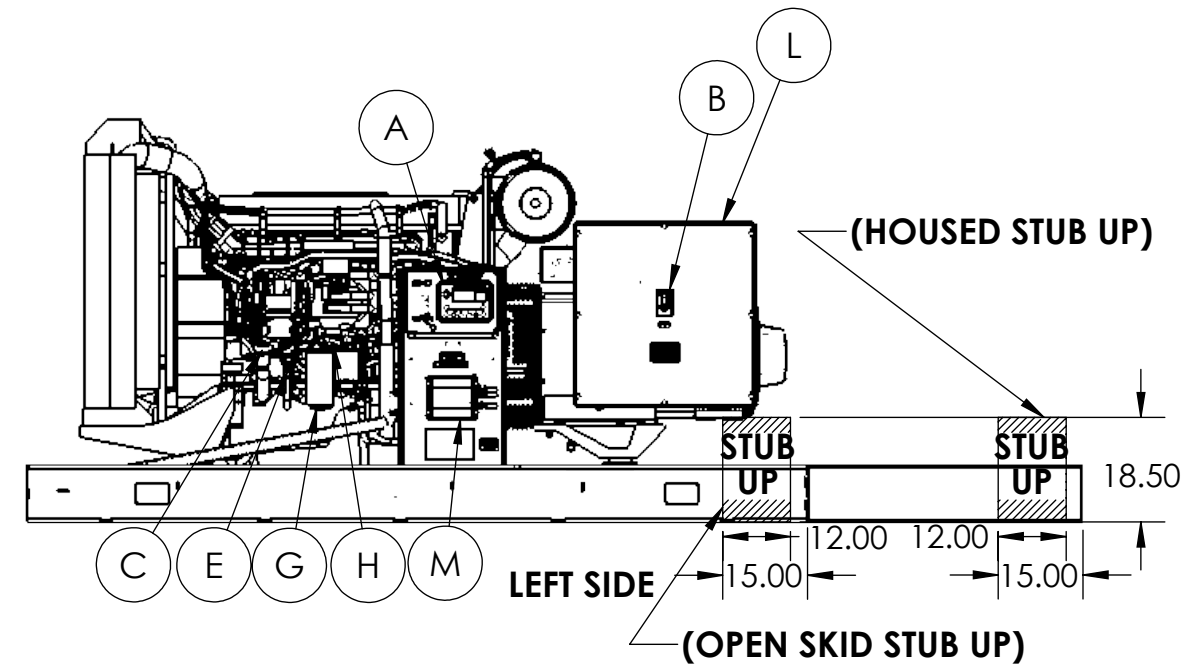
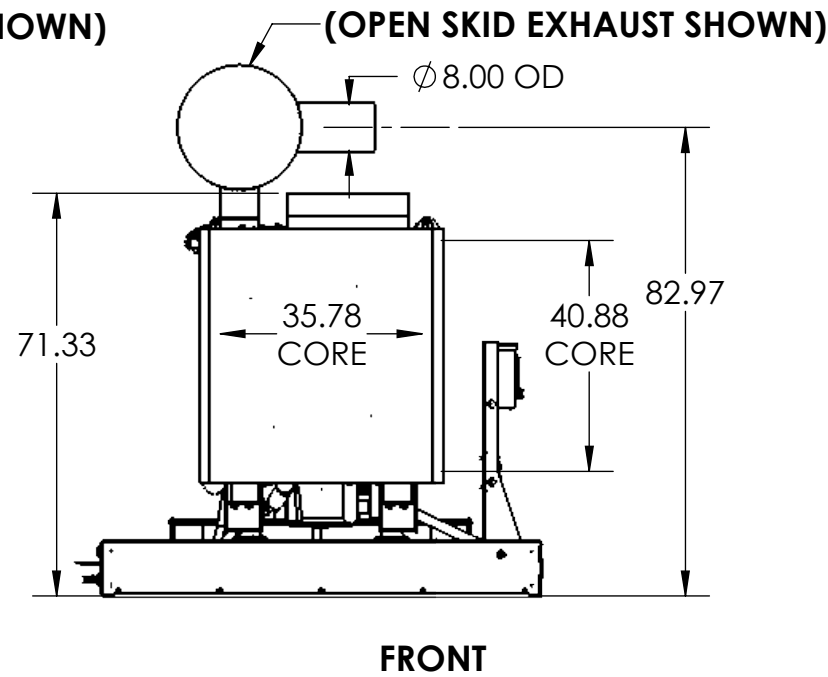
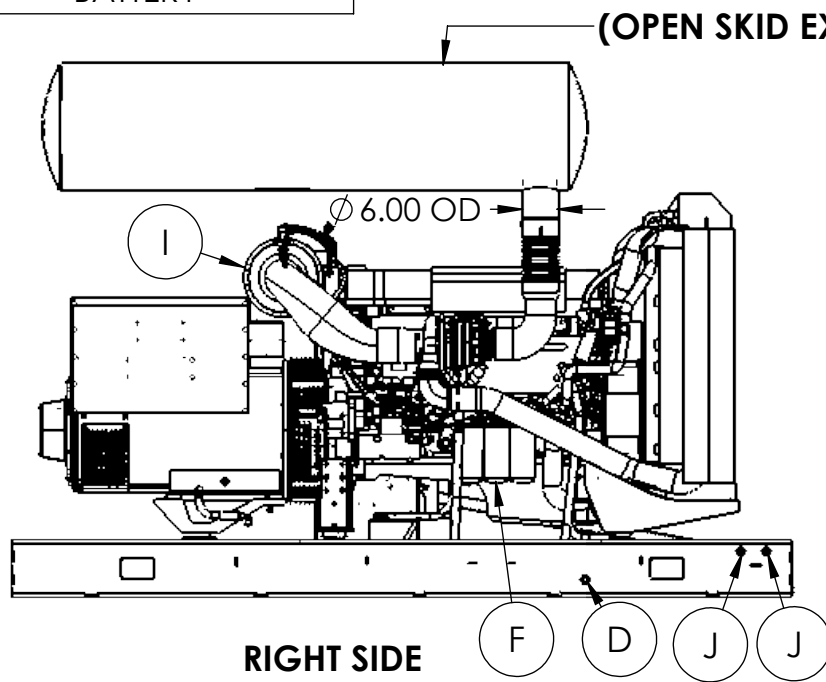
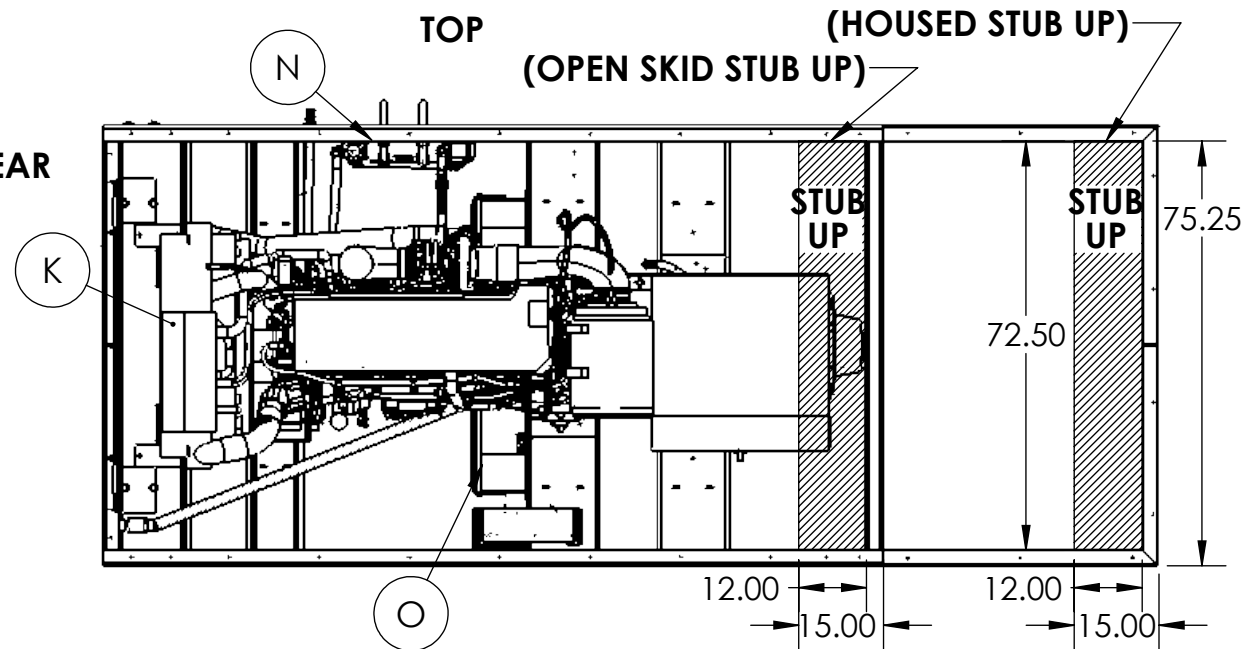
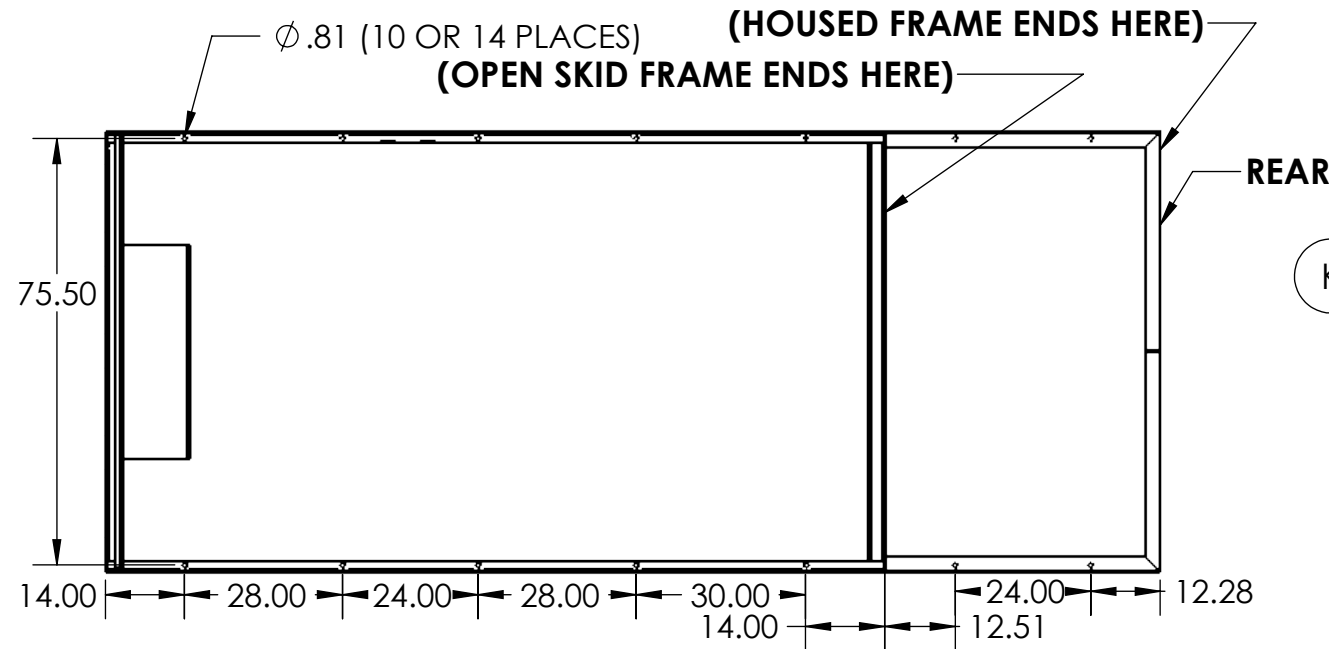
 THIS DRAWING CONTAINS PROPRIETARY INFORMATION BELONGING TO WINGCO. UNAUTHORIZED USE IS PROHIBITED. ALL DIMENSIONS INCH	DRAWN BY PAK	DATE 11/24/2020	CHK'D BY ---	DATE --/--	ENG APPR. PAK	DATE 07/23/2020
	TOLERANCE: +/- 0.0625 DECIMAL +/- 1 DEG ANGULAR	MODEL: DR400		TITLE: OUTLINE DRAWING		
	PART: O-555			1 of 2		

999-O

# TOP VIEW HOLE PATTERN

REVISIONS					
REV.	IRN	DESCRIPTION	DATE	BY	APP'D
A	P318	NEW RELEASE	9/16/2021	MCB	DRC

KEY COMPONENTS	
A	ENGINE CONTROL
B	MAIN LINE CIRCUIT BREAKER
C	OIL FILL
D	OIL DRAIN
E	OIL DIPSTICK
F	OIL FILTER
G	FUEL FILTER
H	FUEL INLET
I	AIR FILTER
J	COOLANT DRAIN
K	COOLANT FILL
L	AVR
M	BATTERY CHARGER
N	BLOCK HEATER
O	BATTERY



APPROX. WEIGHT (OPEN SKID): 8950 LBS

3/8 FUEL HOSE

<p>THIS DRAWING CONTAINS PROPRIETARY INFORMATION BELONGING TO WINCO. UNAUTHORIZED USE IS PROHIBITED.</p> <p>ALL DIMENSIONS INCH</p>	DRAWN BY	DATE	CHK'D BY	DATE	ENG APPR.	DATE
	TDS	4/27/2021			PAK	07/23/2020
	TOLERANCE:	+/- 0.0625 DECIMAL		TITLE: OUTLINE DRAWING		
		+/- 1 DEG ANGULAR				
	MODEL:	DR400		PART: O-555		
			2 of 2			