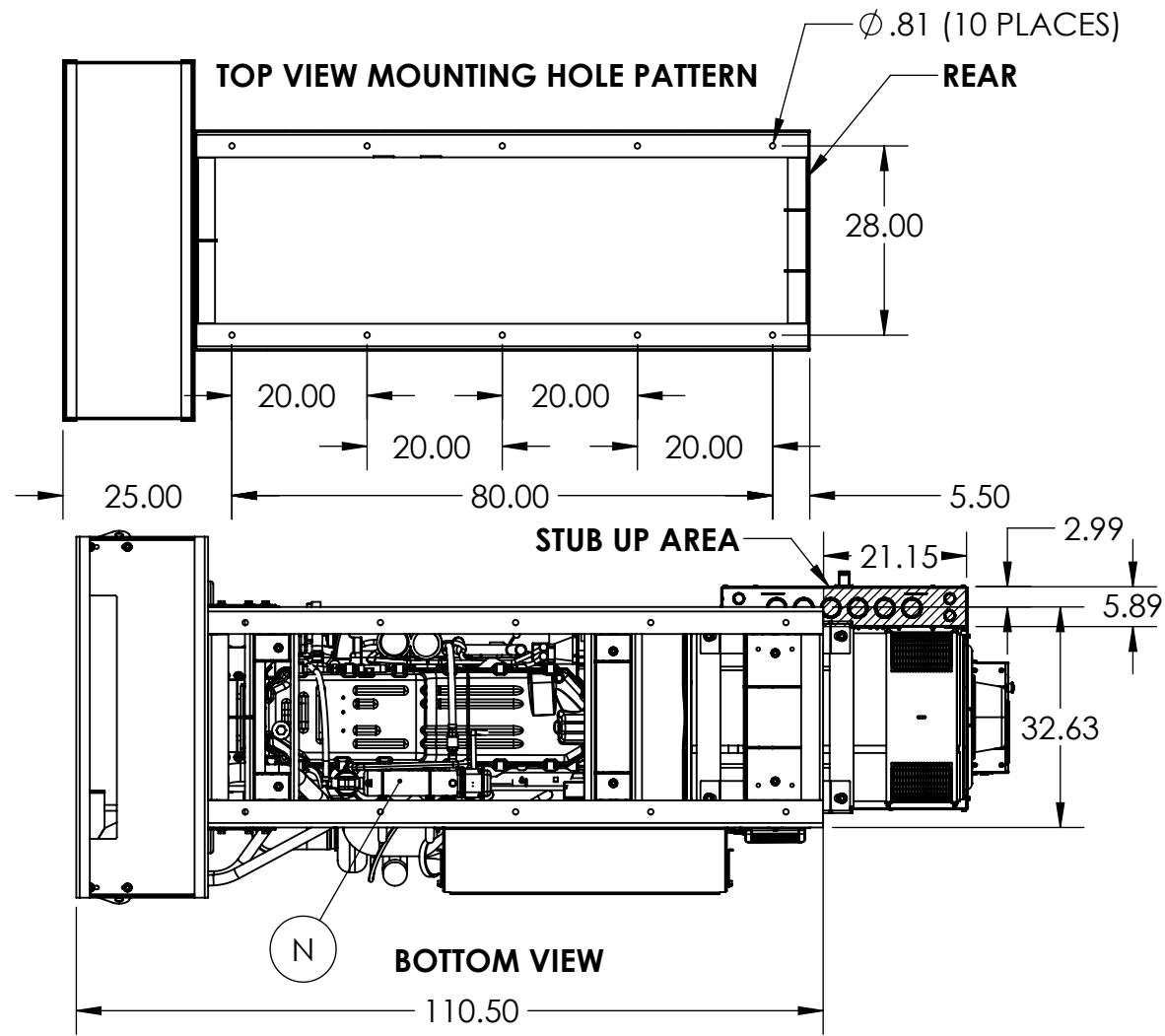
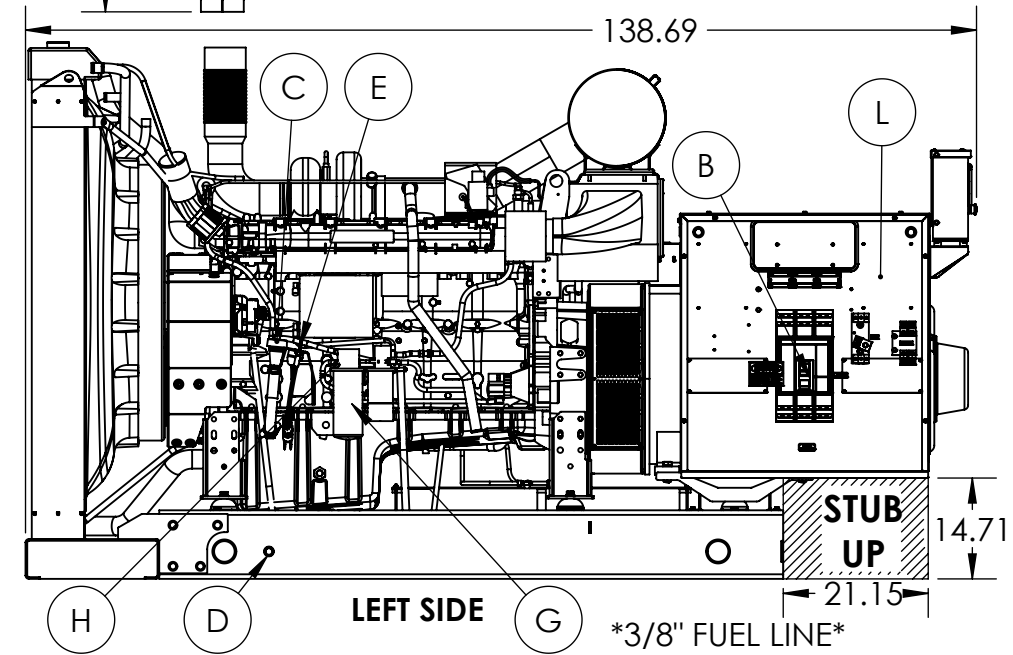
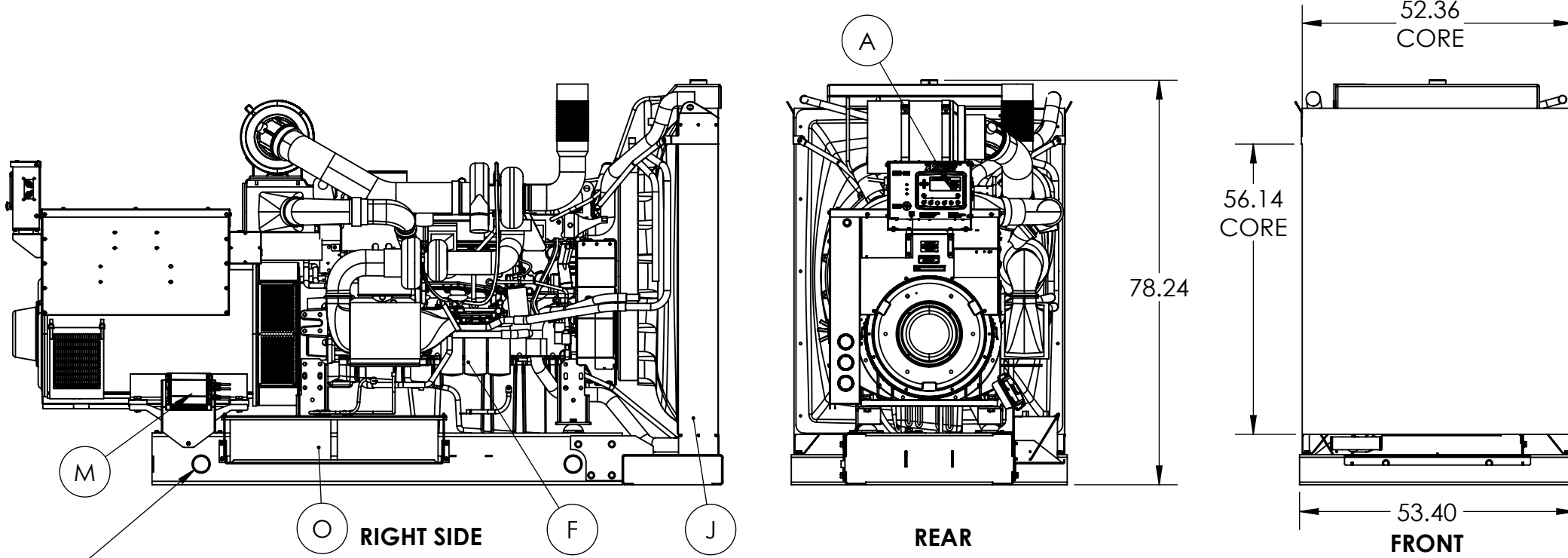
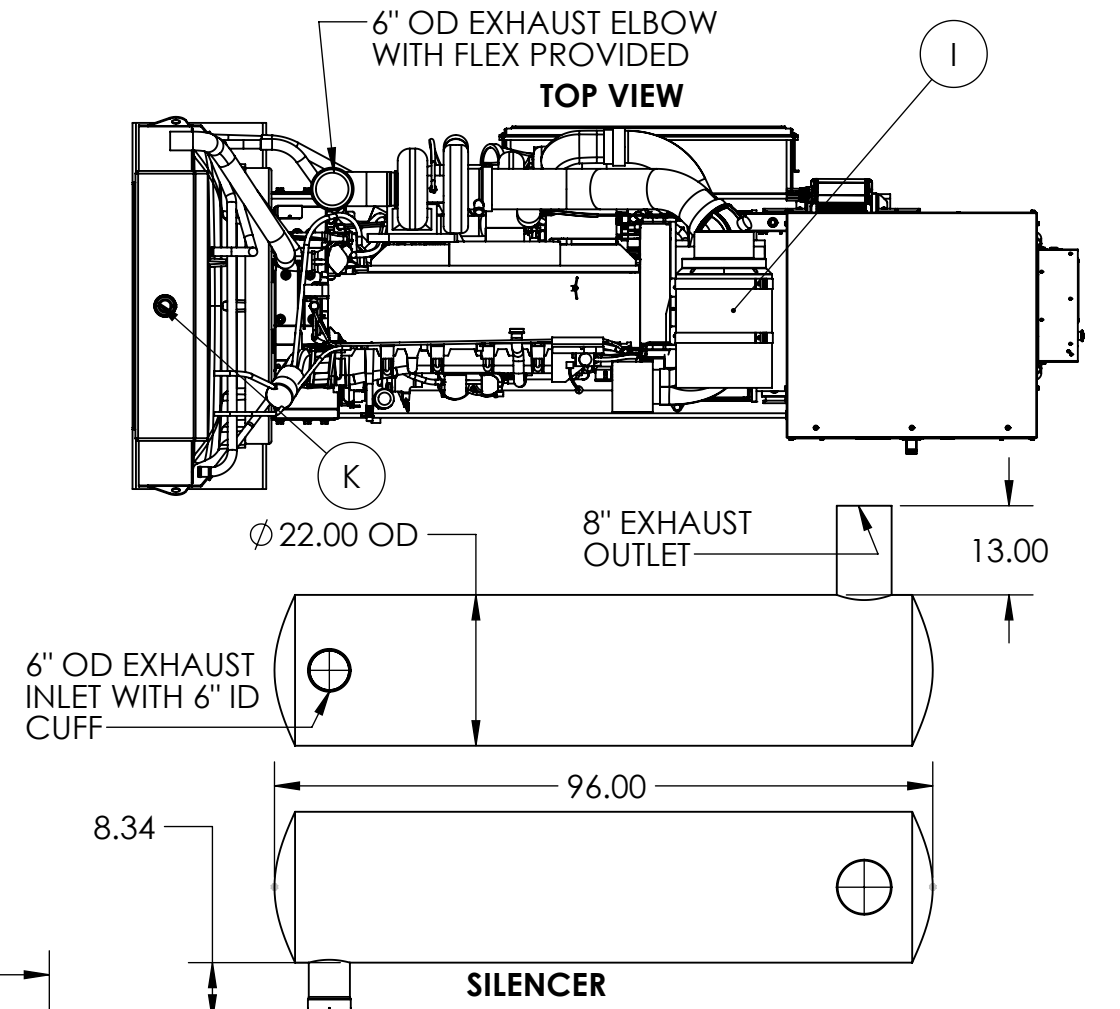


199-O

KEY COMPONENTS	
A	ENGINE CONTROL
B	MAIN LINE CIRCUIT BREAKER
C	OIL FILL
D	OIL DRAIN
E	OIL DIPSTICK
F	OIL FILTER
G	FUEL FILTER
H	FUEL INLET
I	AIR FILTER
J	COOLANT DRAIN
K	COOLANT FILL
L	AVR
M	BATTERY CHARGER
N	BLOCK HEATER
O	BATTERY



REV.	IRN	DESCRIPTION	DATE	BY	APPROVED
B	P347	UPDATED LIFT POINT DIMENSION	11/5/2021	MCB	DRC



APPROXIMATE WEIGHT: 2350 lbs

<p>THIS DRAWING CONTAINS PROPRIETARY INFORMATION BELONGING TO WINCO. UNAUTHORIZED USE IS PROHIBITED.</p> <p>ALL DIMENSIONS INCH</p>	DRAWN BY	DATE	CHK'D BY	DATE	ENG APPR.	DATE
	TDS	7/22/2021			---	--/--
	TOLERANCE:	+/- 0.0625 DECIMAL		TITLE: OUTLINE DRAWING - DR600 NARROW		
	MODEL:	+/- 1 DEG ANGULAR		PART: O-551		

