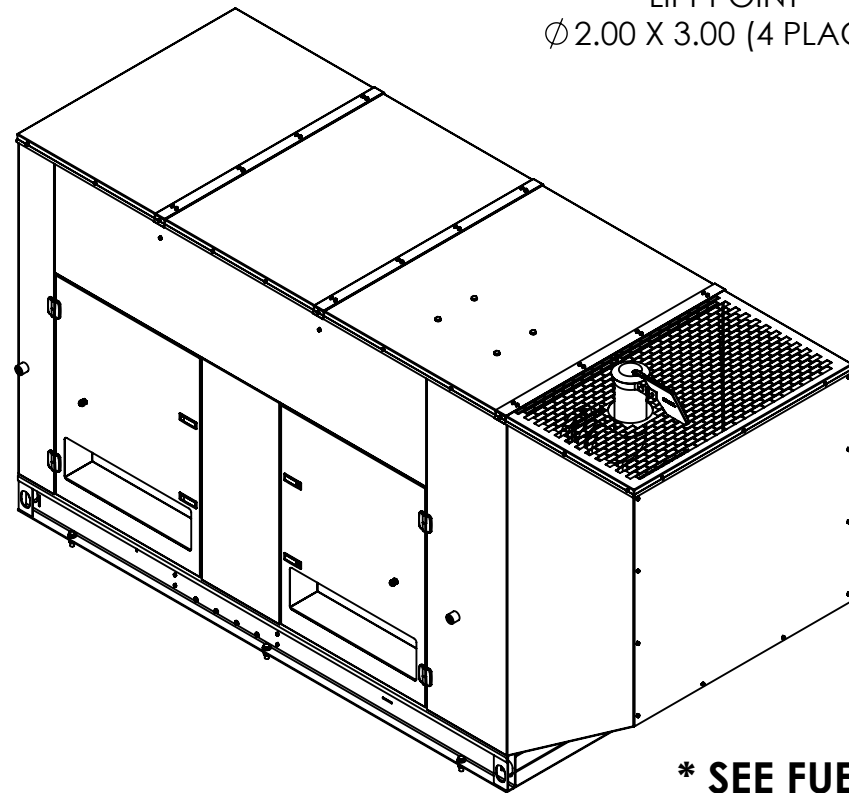
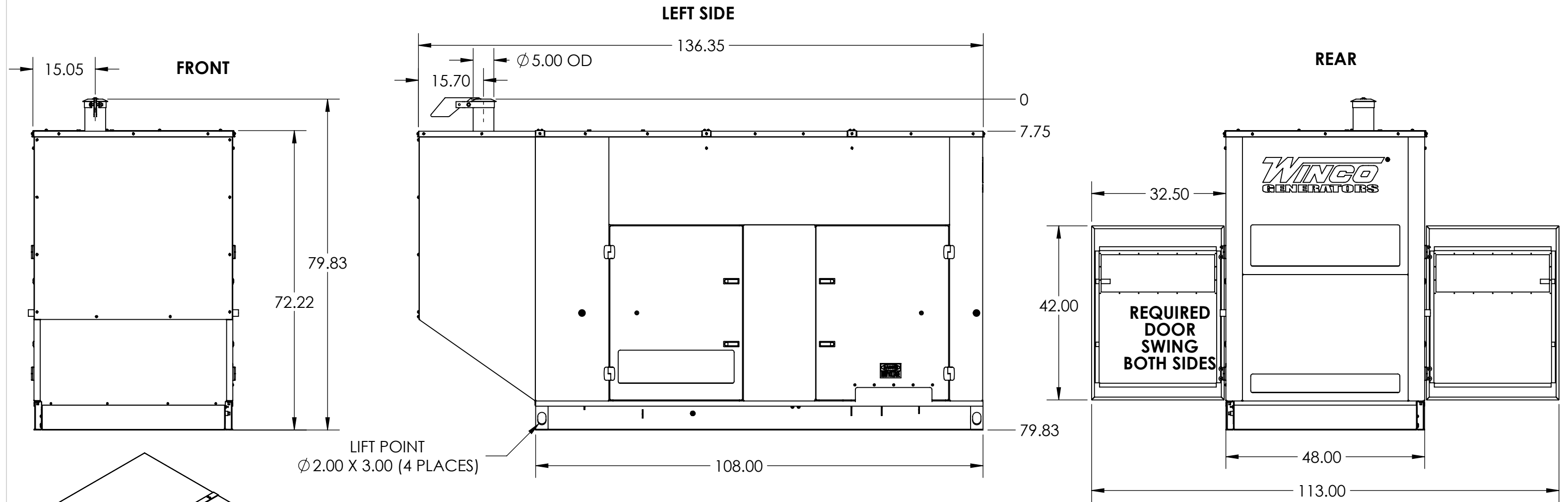


019-O

REVISIONS					
REV.	IRN	DESCRIPTION	DATE	BY	APP'D
C	CA13666	REMOVED FUEL TANK INFORMATION	12/20/2023	VP	DRC



APPROX. WEIGHT NO TANK: 5250 LBS

*** SEE FUEL TANK DRAWINGS FOR CRITICAL LAYOUT INFORMATION ***

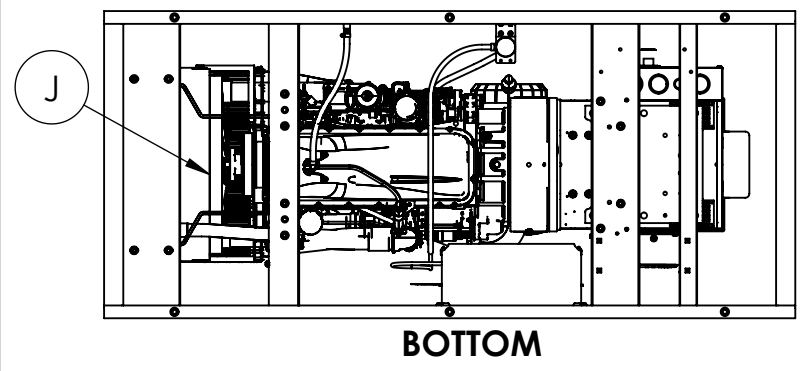
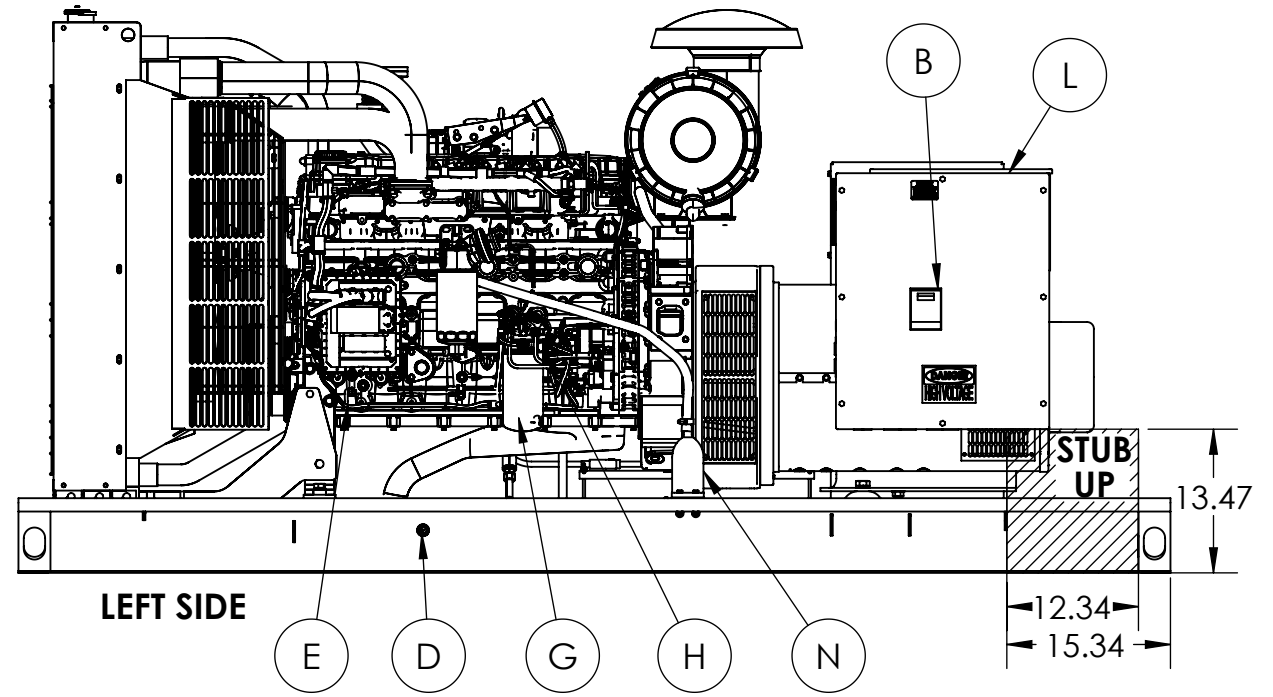
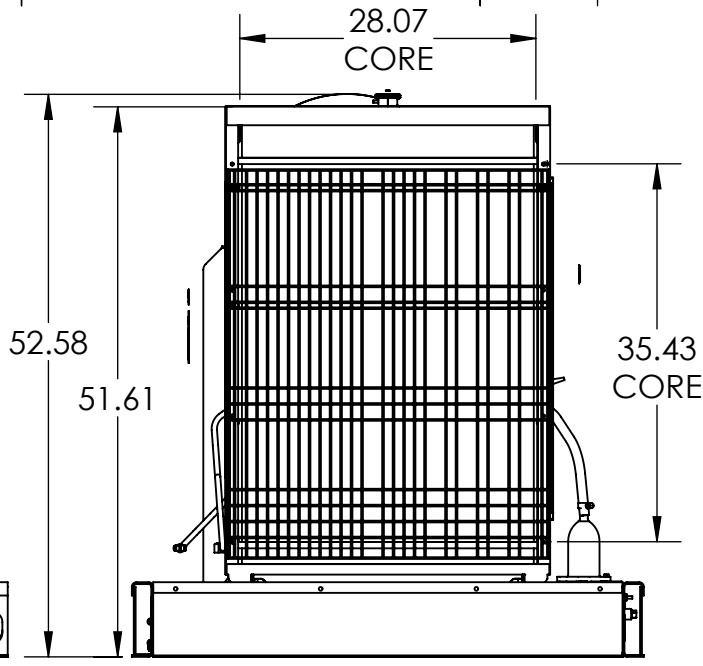
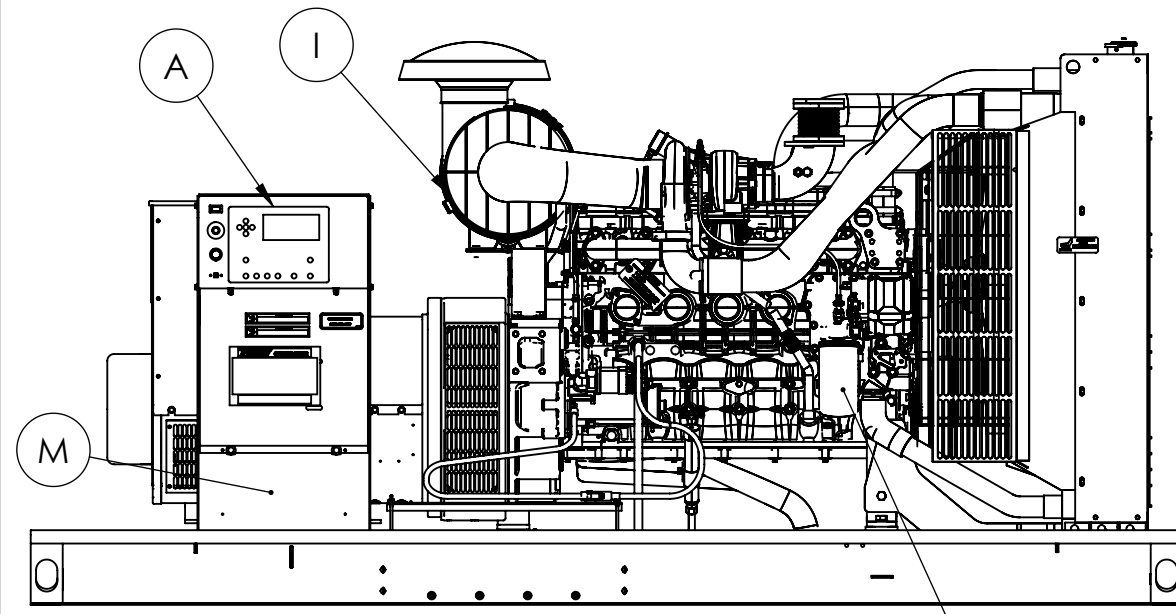
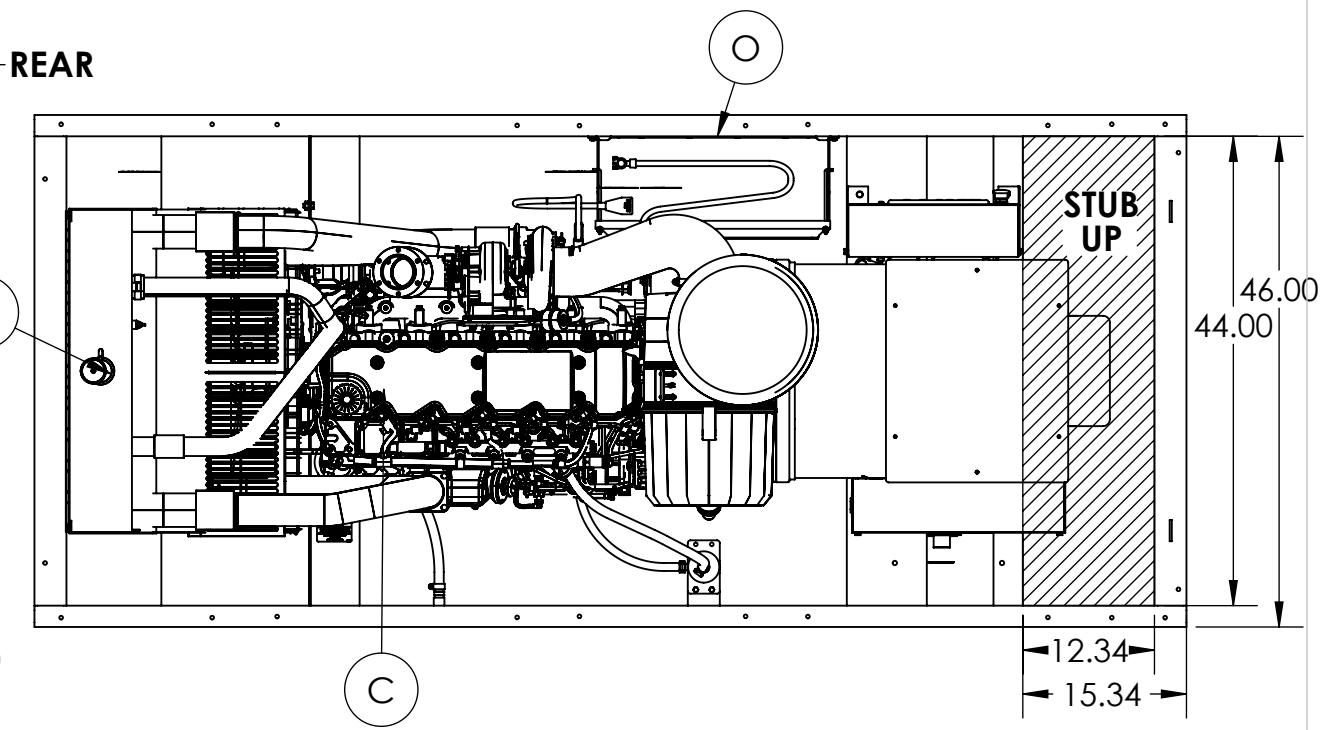
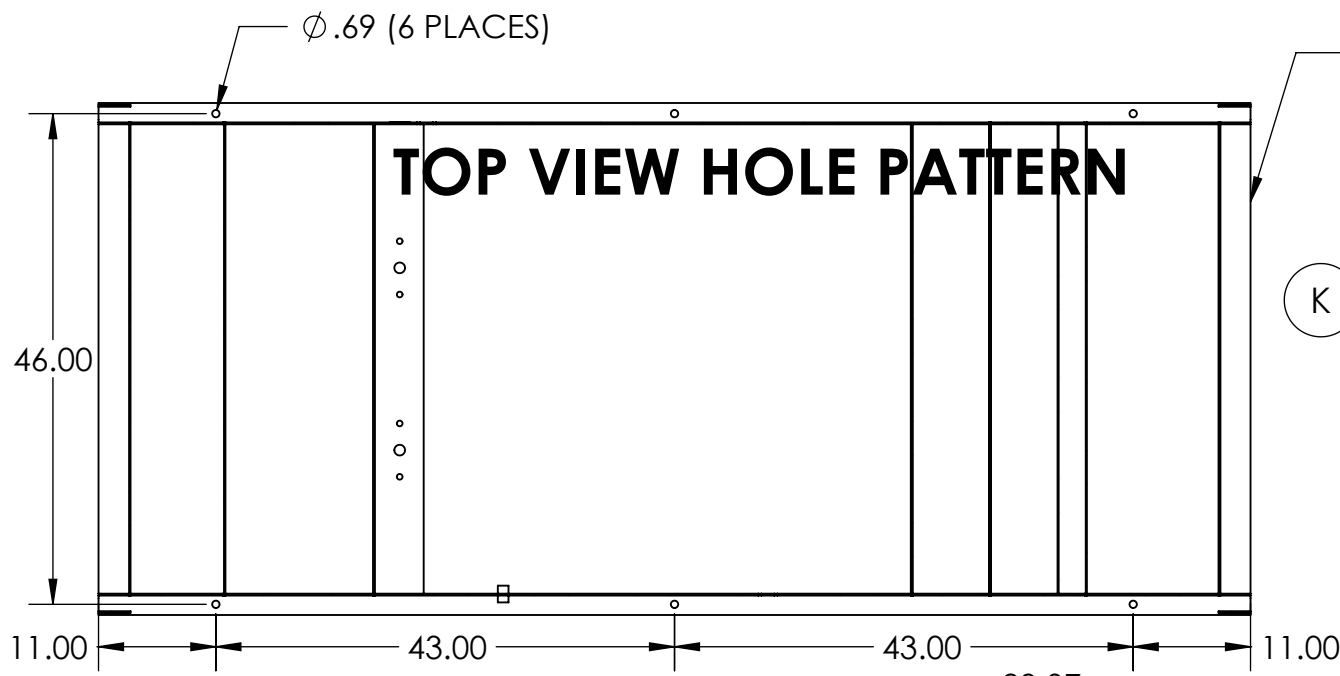
THIS DRAWING CONTAINS PROPRIETARY INFORMATION BELONGING TO WINCO. UNAUTHORIZED USE IS PROHIBITED	TOLERANCE:	+/- 0.0625 DECIMAL +/- 1 DEG ANGULAR	TITLE: OUTLINE DRAWING- DR175
	WEIGHT:	LBS	
	MODEL:	DR175	PART: O-510
ALL DIMENSIONS INCH ALL WEIGHT POUNDS	WINCO ®		1 of 2

019-O

REVISIONS					
REV.	IRN	DESCRIPTION	DATE	BY	APP'D
C	CA13666	REMOVED FUEL TANK INFORMATIONS	12/20/2023	VP	DRC

KEY COMPONENTS

A	ENGINE CONTROL
B	MAIN LINE CIRCUIT BREAKER
C	OIL FILL
D	OIL DRAIN
E	OIL DIPSTICK
F	OIL FILTER
G	FUEL FILTER
H	FUEL INLET
I	AIR FILTER
J	COOLANT DRAIN
K	COOLANT FILL
L	AVR
M	BATTERY CHARGER
N	BLOCK HEATER
O	BATTERY



3/8 FUEL HOSE

THIS DRAWING CONTAINS PROPRIETARY INFORMATION BELONGING TO WINCO. UNAUTHORIZED USE IS PROHIBITED.	TOLERANCE:	+/- 0.0625 DECIMAL +/- 1 DEG ANGULAR	TITLE: OUTLINE DRAWING- DR175
	WEIGHT:	LBS	
	MODEL:	DR175	PART: O-510

ALL DIMENSIONS INCH
ALL WEIGHT POUNDS

WINCO®

2 of 2