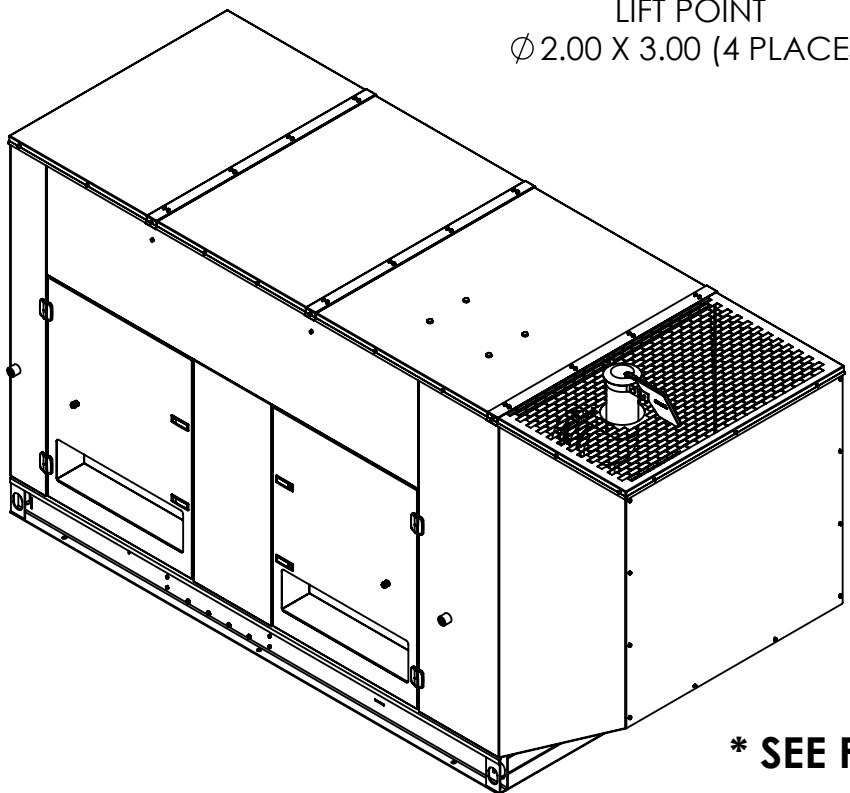
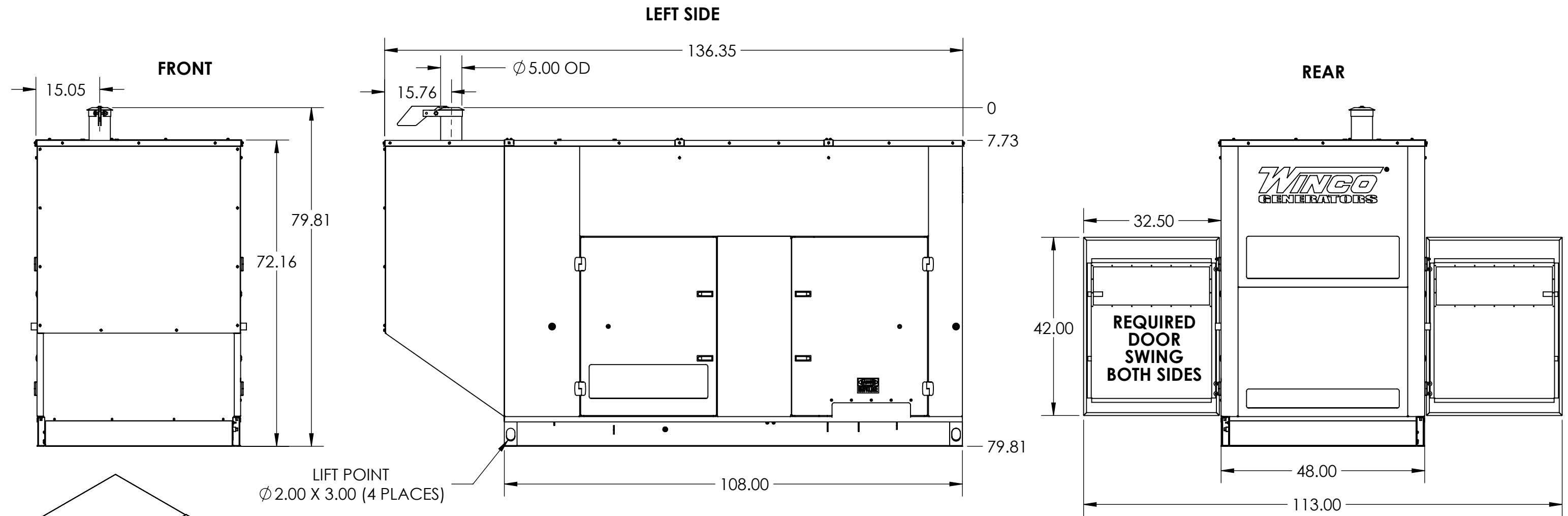


609-O

REVISIONS					
REV.	IRN	DESCRIPTION	DATE	BY	APP'D
C	CA13666	REMOVED FUEL TANK INFORMATION	12/20/2023	VP	DRC



*** SEE FUEL TANK DRAWINGS FOR CRITICAL LAYOUT INFORMATION ***

APPROX. WEIGHT NO TANK DR100: 5050 LBS
APPROX. WEIGHT NO TANK DR130: 5150 LBS

THIS DRAWING CONTAINS PROPRIETARY INFORMATION BELONGING TO WINCO. UNAUTHORIZED USE IS PROHIBITED	TOLERANCE:	+/- 0.0625 DECIMAL +/- 1 DEG ANGULAR	TITLE: OUTLINE DRAWING DR100_DR130
	WEIGHT:	LBS	
	MODEL:	DR100_DR130	PART:
ALL DIMENSIONS INCH ALL WEIGHT POUNDS		WINCO ®	1 of 2

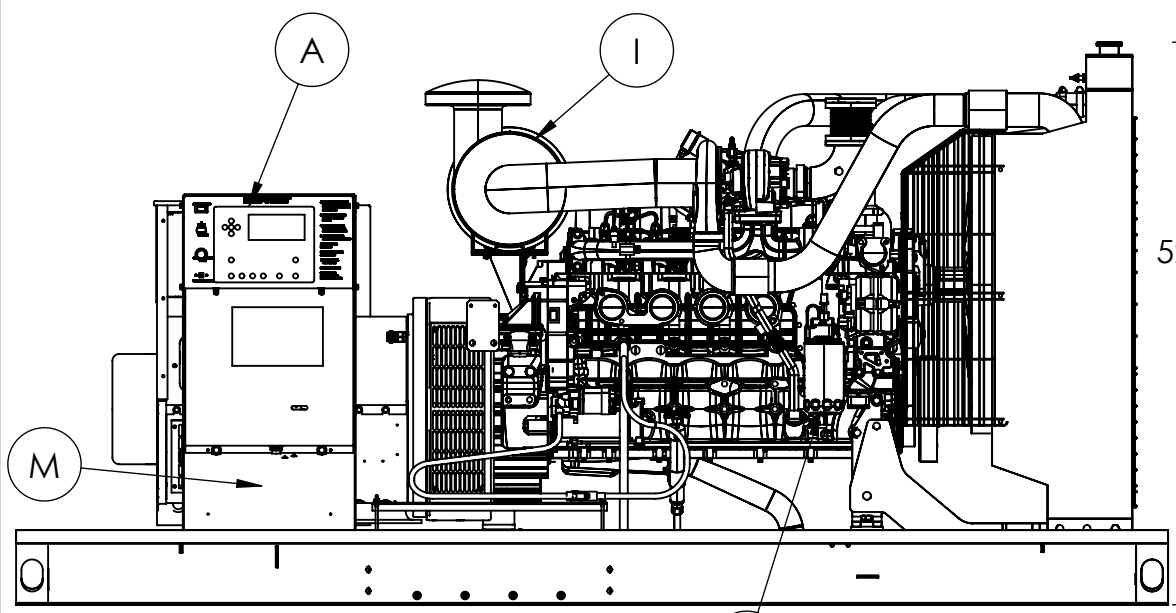
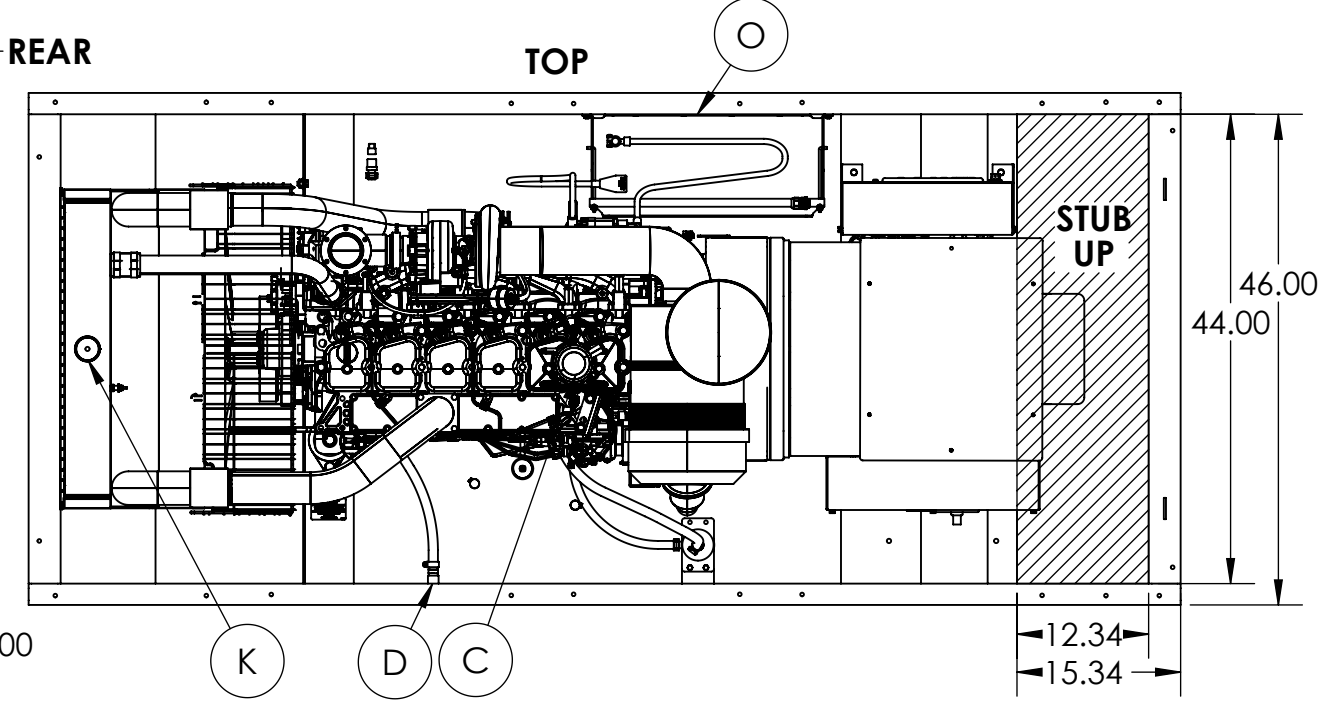
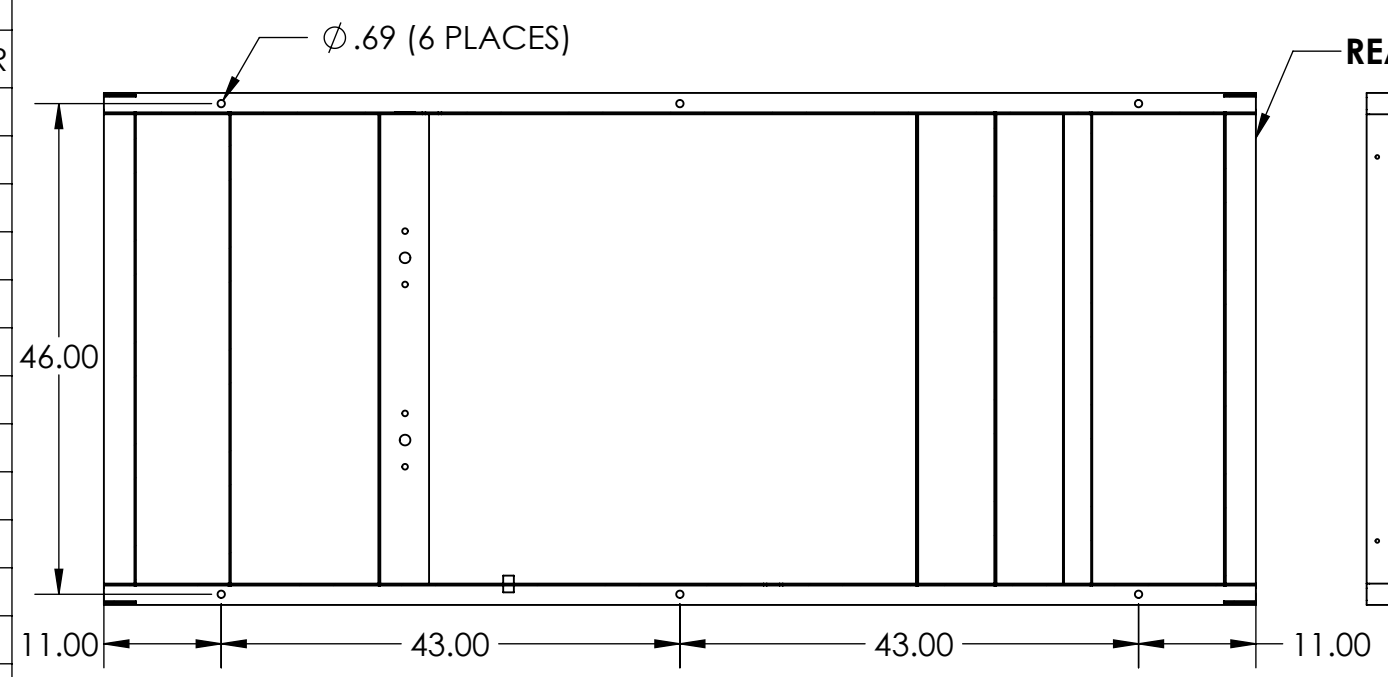
609-O

REVISIONS					
REV.	IRN	DESCRIPTION	DATE	BY	APP'D
C	CA13666	REMOVED FUEL TANK INFORMATIONS	12/20/2023	VP	DRC

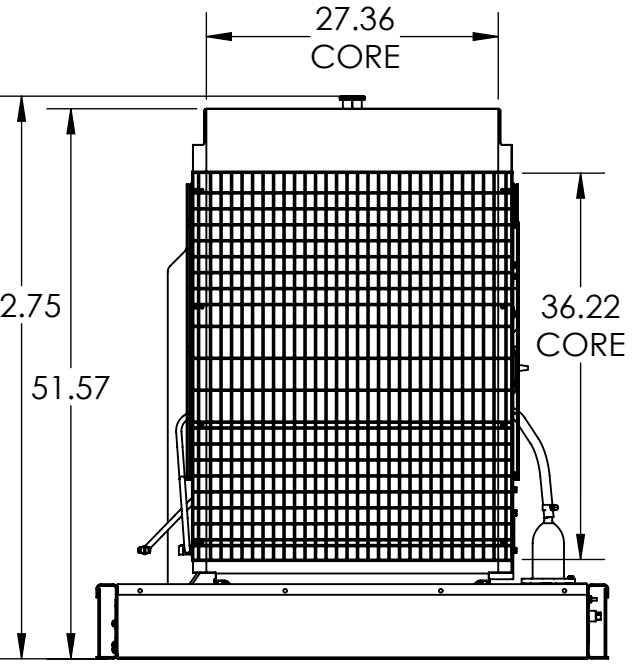
KEY COMPONENTS

A	ENGINE CONTROL
B	MAIN LINE CIRCUIT BREAKER
C	OIL FILL
D	OIL DRAIN
E	OIL DIPSTICK
F	OIL FILTER
G	FUEL FILTER
H	FUEL INLET
I	AIR FILTER
J	COOLANT DRAIN
K	COOLANT FILL
L	AVR
M	BATTERY CHARGER
N	BLOCK HEATER
O	BATTERY

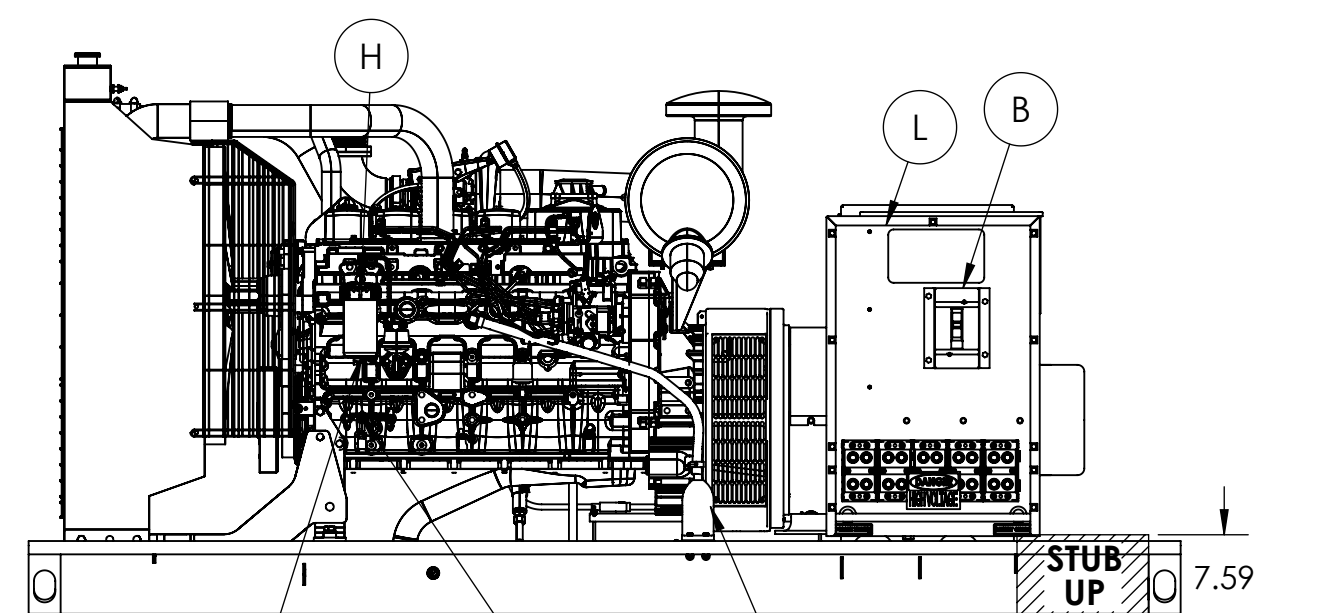
TOP VIEW HOLE PATTERN



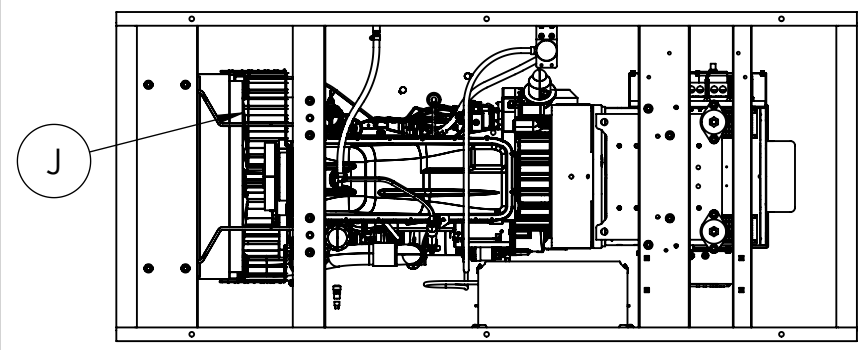
RIGHT SIDE



FRONT



LEFT SIDE



BOTTOM

3/8 FUEL HOSE

THIS DRAWING CONTAINS PROPRIETARY INFORMATION BELONGING TO WINCO. UNAUTHORIZED USE IS PROHIBITED.	TOLERANCE:	+/- 0.0625 DECIMAL +/- 1 DEG ANGULAR	TITLE:	OUTLINE DRAWING DR100_DR130
	WEIGHT:	LBS	PART:	O-509
	MODEL:	DR100_DR130		2 of 2



ALL DIMENSIONS INCH
ALL WEIGHT POUNDS