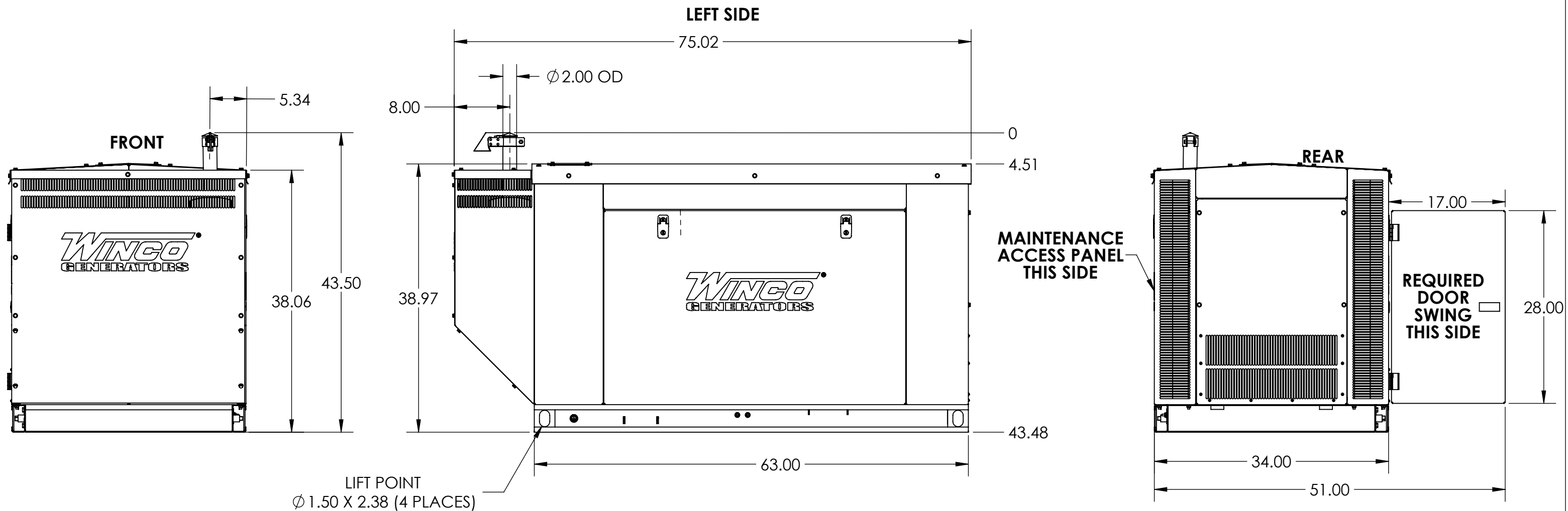


009-O

REVISIONS					
REV.	IRN	DESCRIPTION	DATE	BY	APP'D
C	CA13666	REMOVED FUEL TANK INFORMATION	12/25/2023	VP	DRC



APPROX. WEIGHT NO TANK: 1100 LBS

*** SEE FUEL TANK DRAWINGS FOR CRITICAL LAYOUT INFORMATION ***

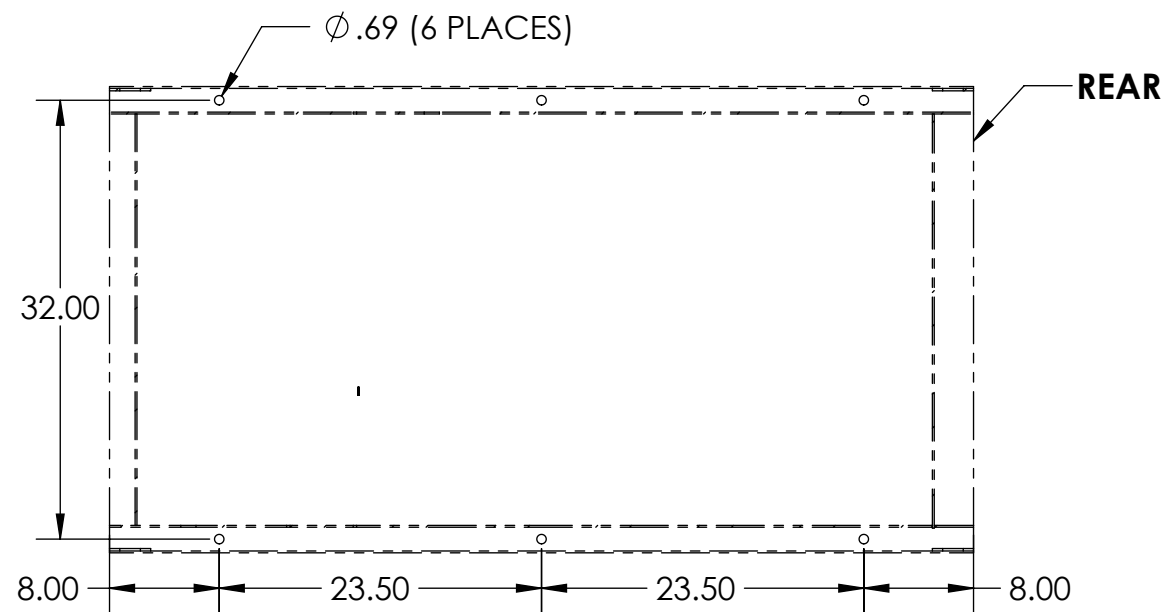
THIS DRAWING CONTAINS PROPRIETARY INFORMATION BELONGING TO WINCO. UNAUTHORIZED USE IS PROHIBITED	TOLERANCE:	+/- 0.0625 DECIMAL +/- 1 DEG ANGULAR	TITLE:	OUTLINE DRAWING
	WEIGHT:	LBS		
	MODEL:	DR20		
ALL DIMENSIONS INCH ALL WEIGHT POUNDS	WINGO ®		PART:	O-500
				1 of 2

009-O

KEY COMPONENTS

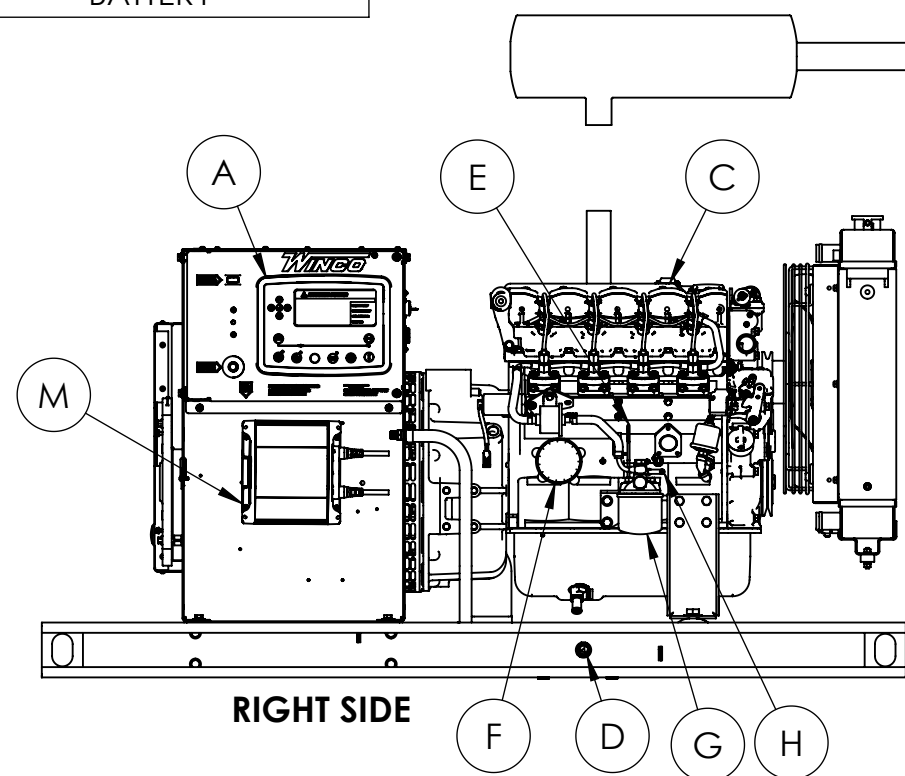
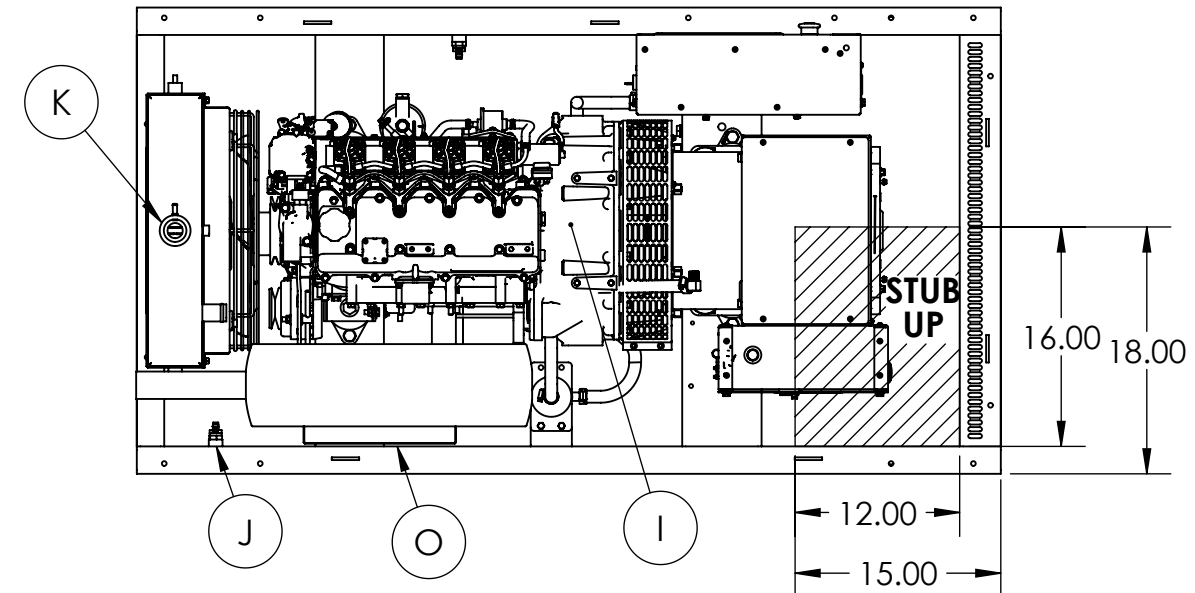
A	ENGINE CONTROL
B	MAIN LINE CIRCUIT BREAKER
C	OIL FILL
D	OIL DRAIN
E	OIL DIPSTICK
F	OIL FILTER
G	FUEL FILTER
H	FUEL INLET
I	AIR FILTER
J	COOLANT DRAIN
K	COOLANT FILL
L	AVR
M	BATTERY CHARGER
N	BLOCK HEATER
O	BATTERY

TOP VIEW HOLE PATTERN

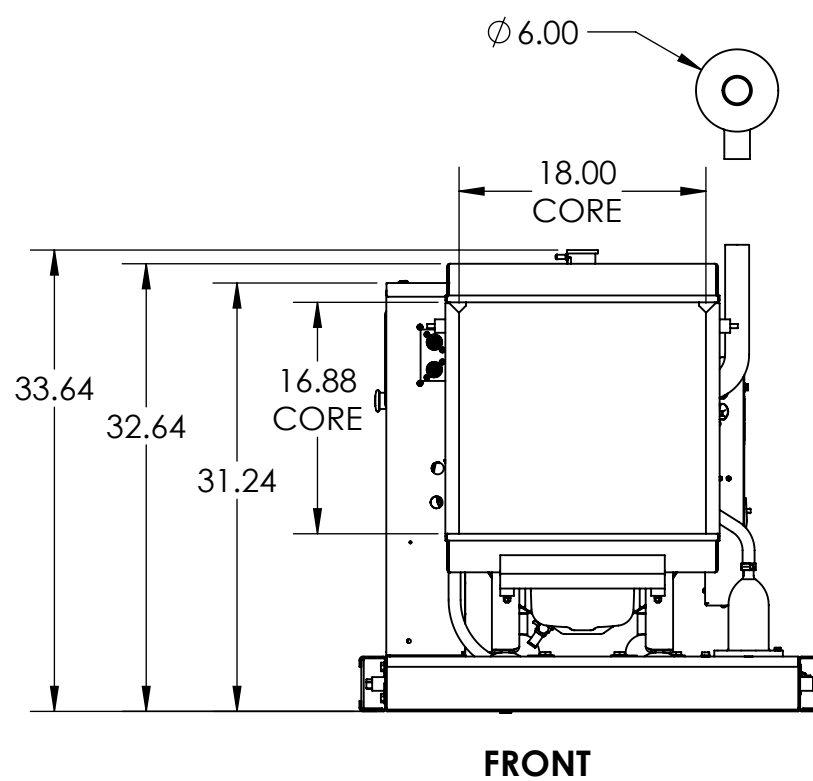


REVISIONS					
REV.	IRN	DESCRIPTION	DATE	BY	APP'D
C	CA13666	REMOVED FUEL TANK INFORMATIONS	12/25/2023	VP	DRC

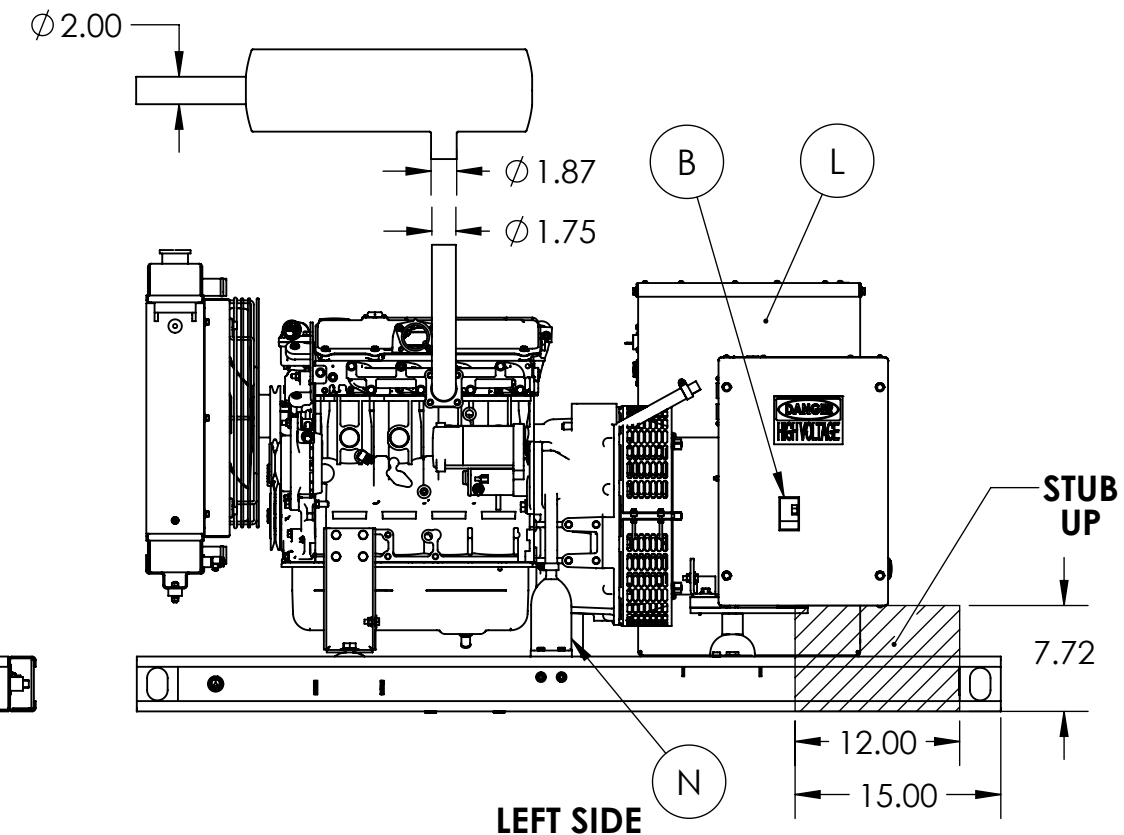
TOP



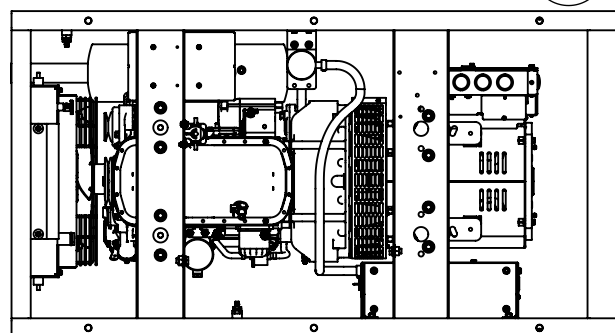
RIGHT SIDE



FRONT



LEFT SIDE



BOTTOM

5/16 FUEL HOSE

THIS DRAWING CONTAINS PROPRIETARY INFORMATION BELONGING TO WINCO. UNAUTHORIZED USE IS PROHIBITED.	TOLERANCE:	+/- 0.0625 DECIMAL +/- 1 DEG ANGULAR	TITLE: OUTLINE DRAWING
	WEIGHT:	LBS	
	MODEL:	DR20	PART: O-500

