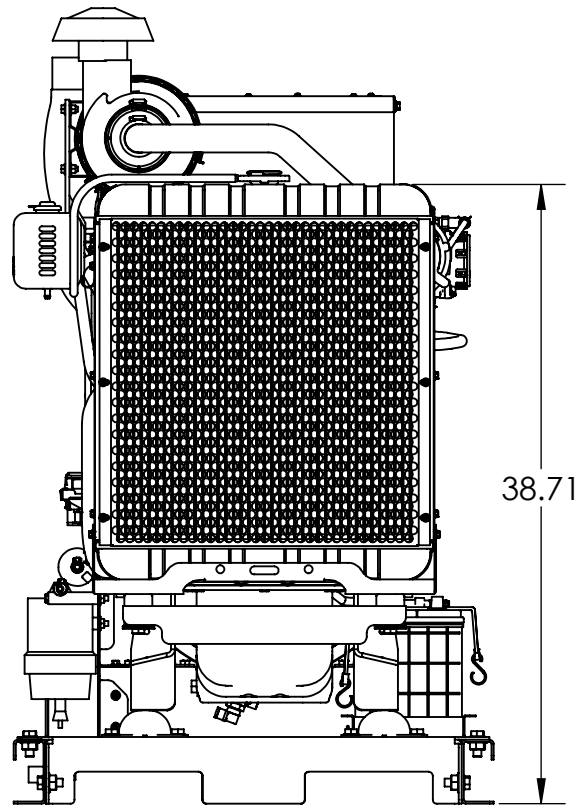
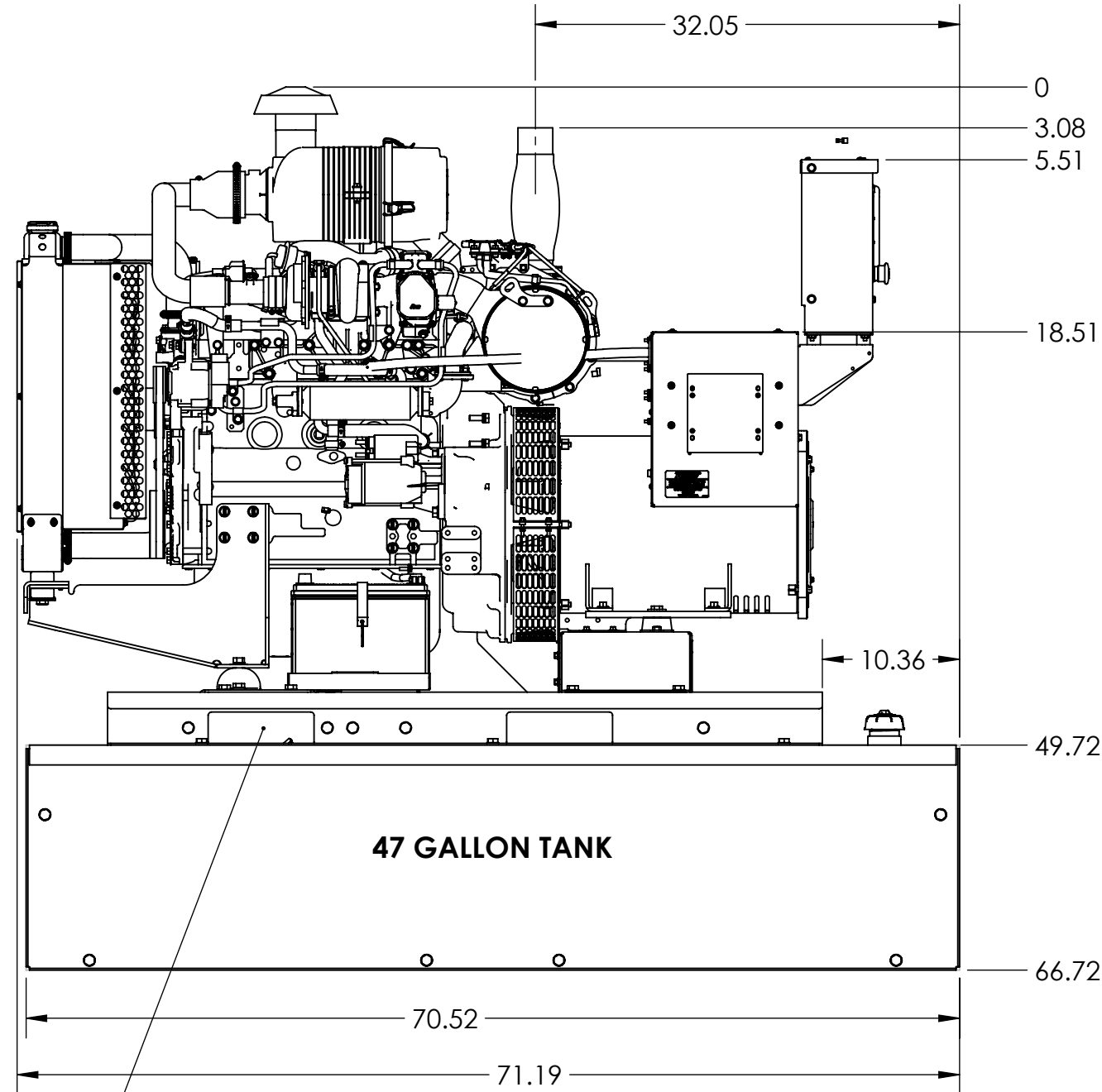


REVISIONS					
REV.	IRN	DESCRIPTION	DATE	BY	APP'D
*	P352	NEW PART	6/25/2024	VP	DRC

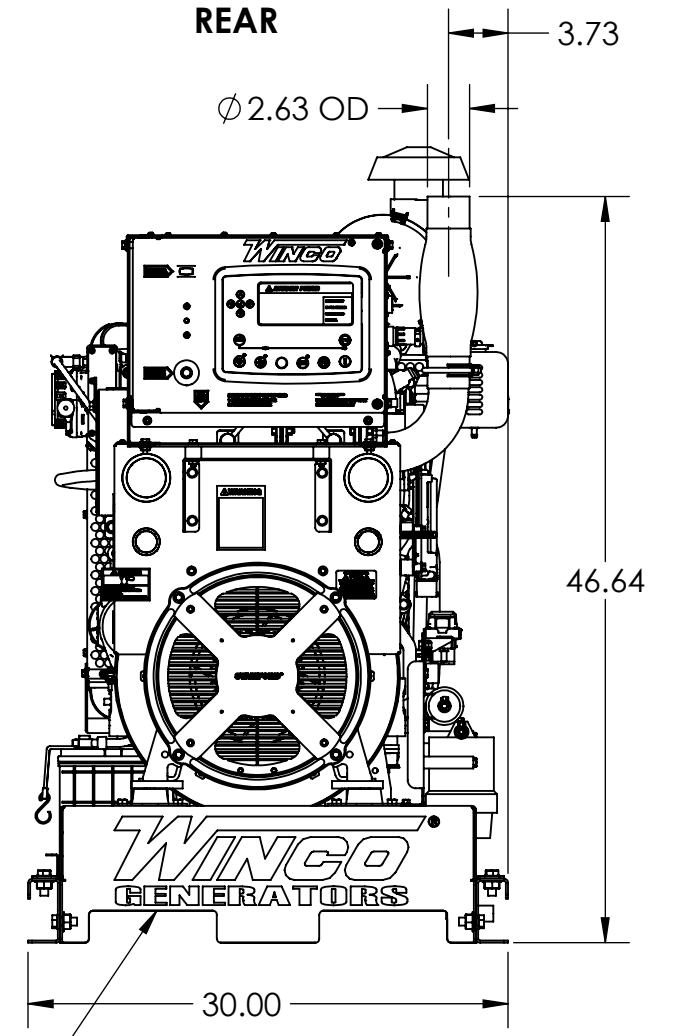
**FRONT**



**LEFT SIDE**

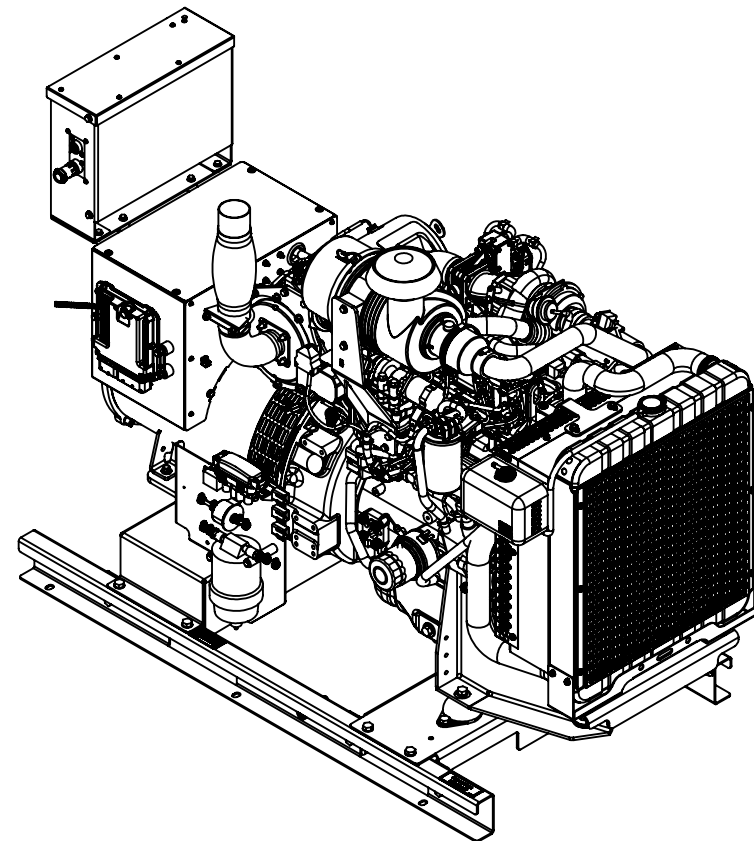


**REAR**



**LIFT POINT  
8.00 X 2.00 FORK POCKETS**

**LIFT POINT  
8.00 X 2.75 FORK POCKETS**



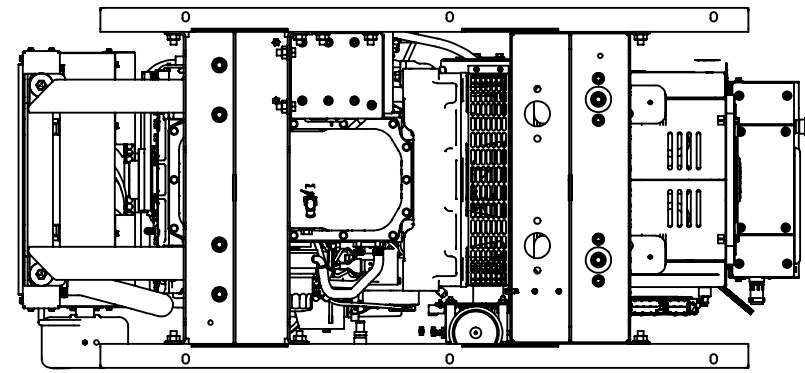
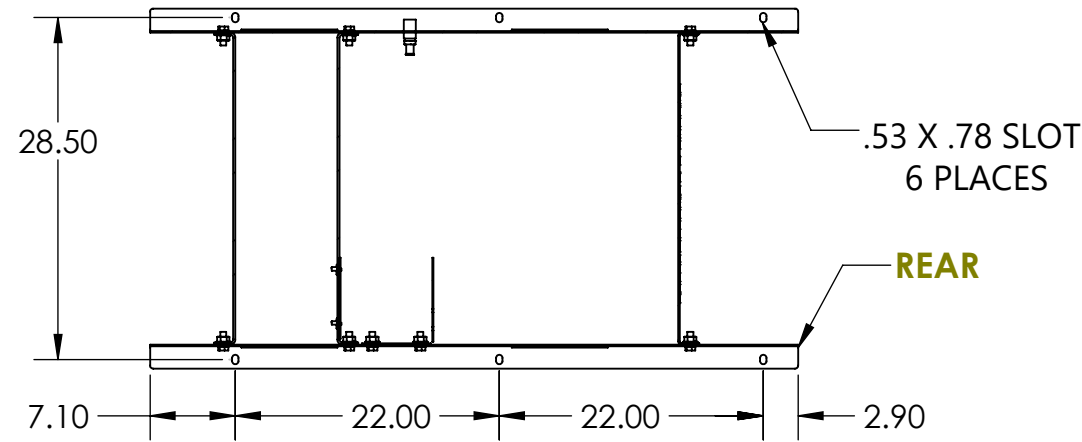
**APPROX. WEIGHT NO TANK: 2200 LBS**

**APPROX. WEIGHT NO TANK: 2450 LBS**

THIS DRAWING CONTAINS PROPRIETARY INFORMATION BELONGING TO WINCO. UNAUTHORIZED USE IS PROHIBITED	TOLERANCE:	+/- 0.0625 DECIMAL +/- 1 DEG ANGULAR	TITLE: <b>OUTLINE DRAWING DE39</b>
	WEIGHT:	- LBS	
	MODEL:	DE39	PART: O-586
ALL DIMENSIONS INCH ALL WEIGHT POUNDS	<b>WINCO</b> ®		1 of 2

989-O

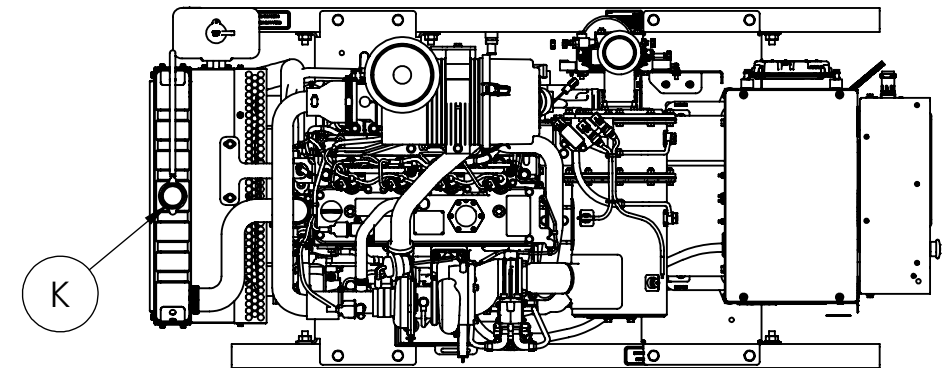
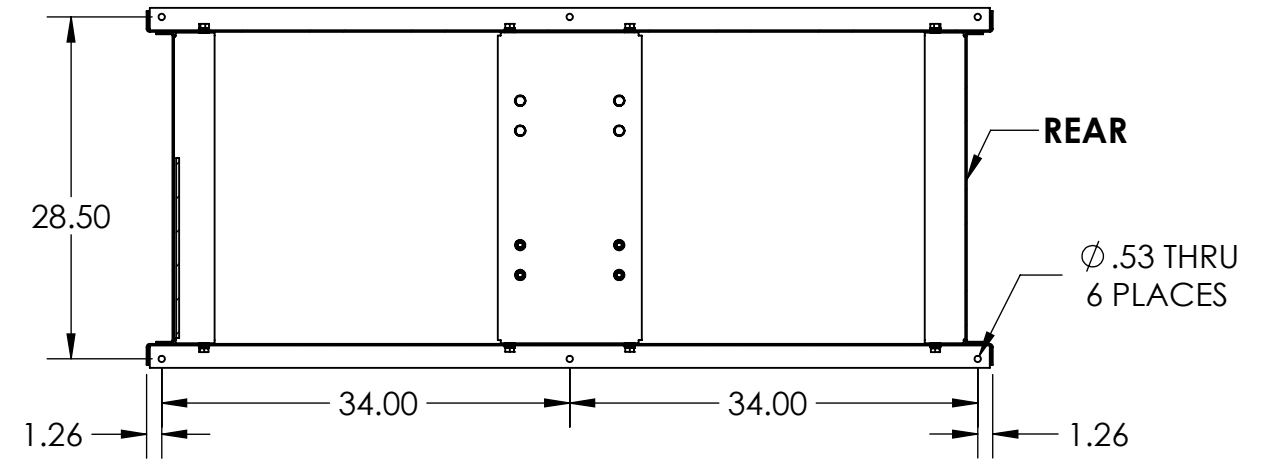
**TOP VIEW HOLE PATTERN - NO TANK**



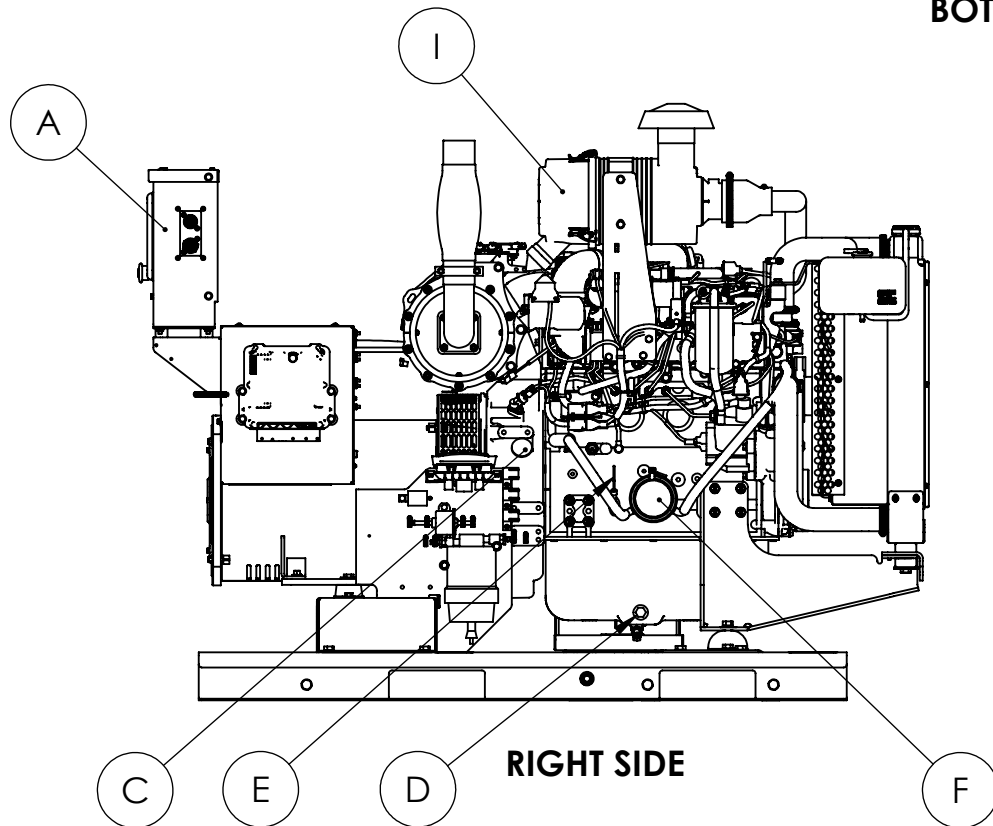
**BOTTOM VIEW**

REVISIONS					
REV.	IRN	DESCRIPTION	DATE	BY	APP'D
*	P352	NEW PART	6/25/2024	VP	DRC

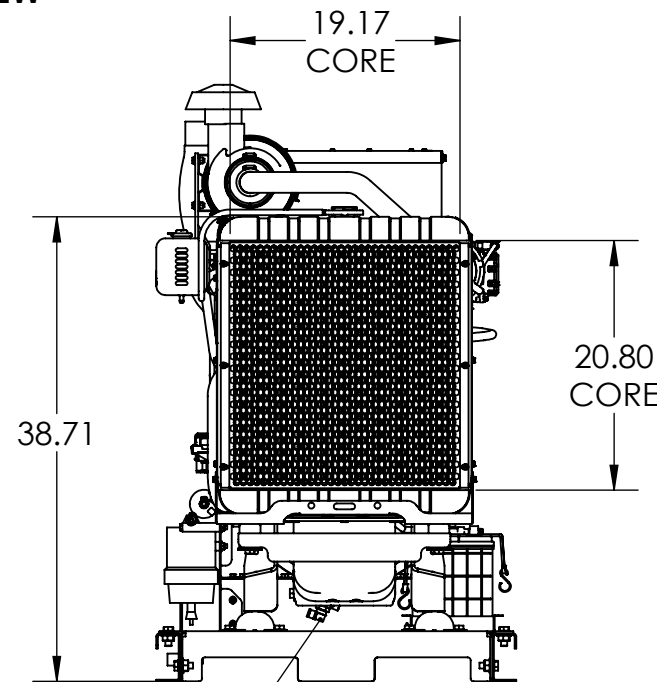
**TOP VIEW HOLE PATTERN- WITH TANK**



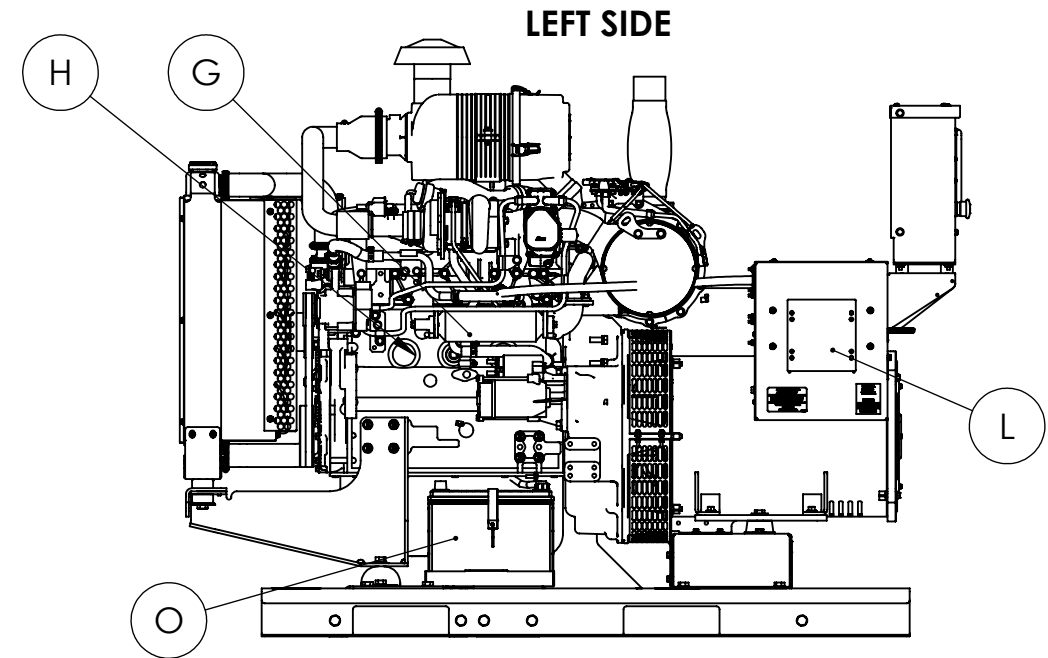
**TOP VIEW**



**RIGHT SIDE**



**FRONT**



**LEFT SIDE**

**INDOOR UNIT: STUB UP ELECTRICAL COMING FROM TOP**

**THIS UNIT HAS A REVERSIBLE CONTROLLER**

THIS DRAWING CONTAINS PROPRIETARY INFORMATION BELONGING TO WINCO. UNAUTHORIZED USE IS PROHIBITED. ALL DIMENSIONS INCH ALL WEIGHT POUNDS	TOLERANCE:	+/- 0.0625 DECIMAL +/- 1 DEG ANGULAR	TITLE:	OUTLINE DRAWING DE39
	WEIGHT:	- LBS	PART:	O-586
	MODEL:	DE39		2 of 2

