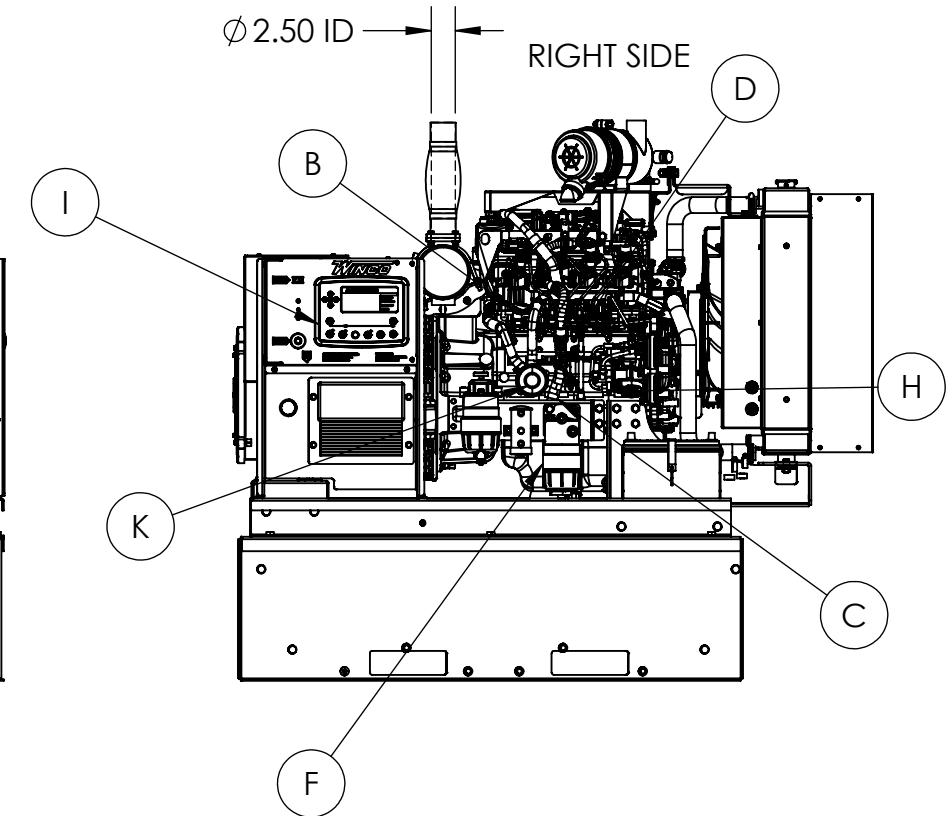
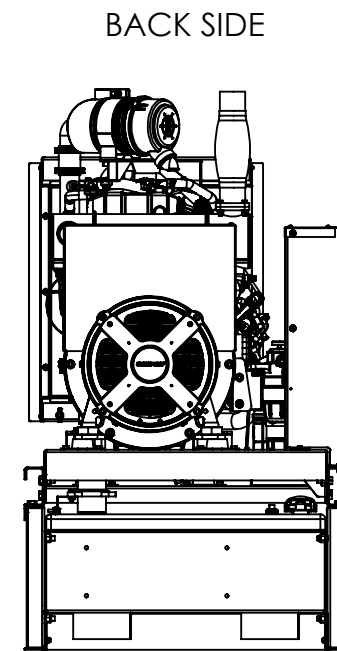
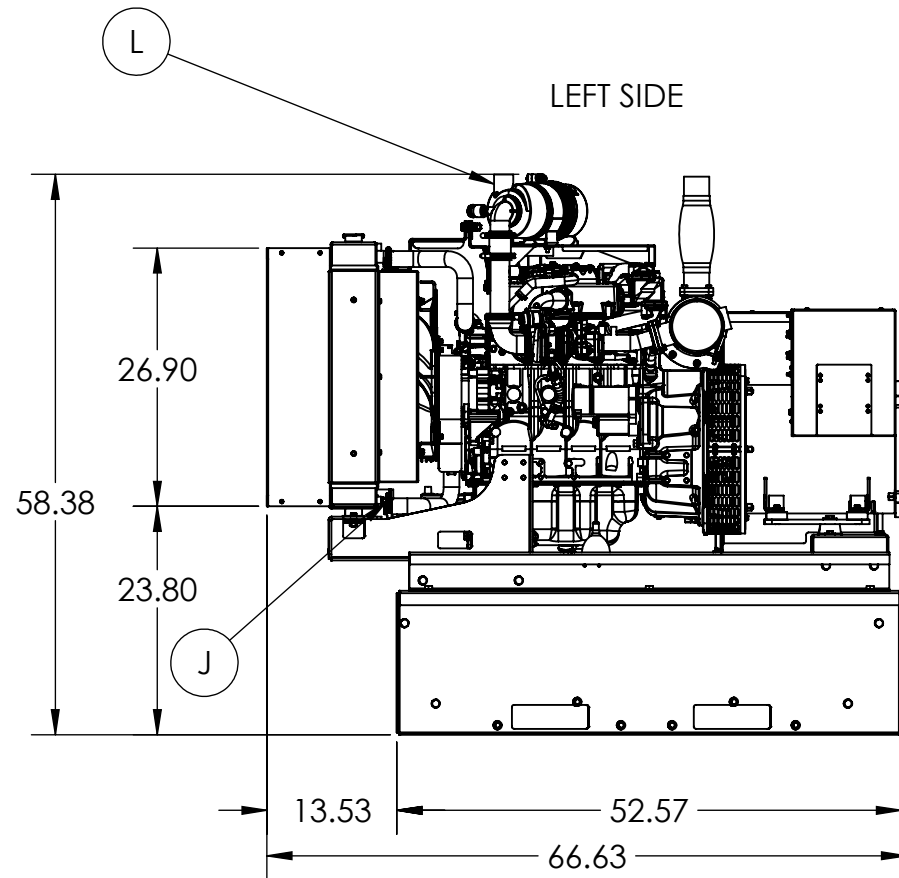
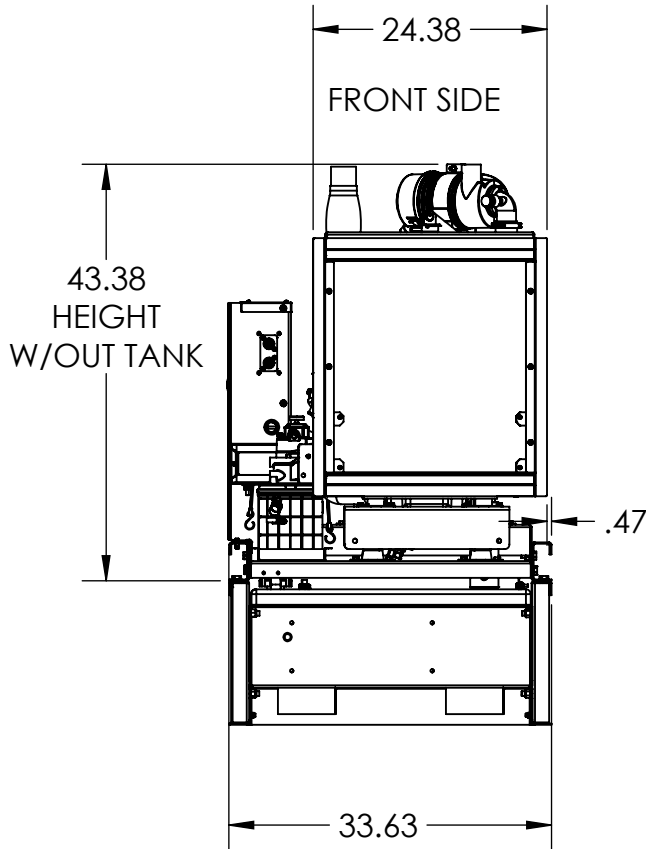
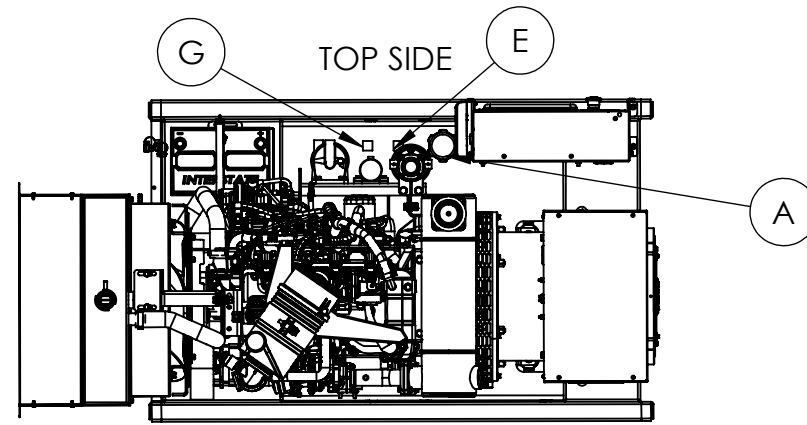
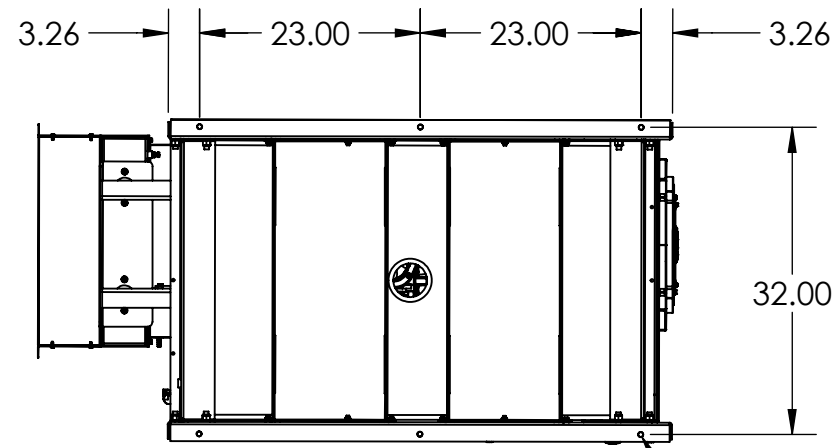


O-527

REVISIONS					
REV.	IRN	DESCRIPTION	DATE	BY	APPROVED
A	P319	ORIGINAL	8/30/2019	TDS	PAK



KEY COMPONENTS	
A	FUEL FILL
B	OIL FILL
C	LEAD CONNECTION POINT
D	DIP STICK
E	FUEL INLET
F	FUEL FILTER
G	FUEL RETURN
H	OVERFLOW
I	CONTROLS (SWITCHABLE)
J	RADIATOR DRAIN
K	OIL FILTER
L	AIR FILTER



UNDERSIDE VIEW (UNIT MOUNTS)
BOLT PATTERN IS IDENTICAL WITH
OR WITHOUT TANK

Ø .53 X6

<p>THIS DRAWING CONTAINS PROPRIETARY INFORMATION BELONGING TO WINCO. UNAUTHORIZED USE IS PROHIBITED</p>	DRAWN BY TDS	DATE 8/30/2019	CHK'D BY	DATE	ENG APPR. PAK	DATE 2/21/2020
	TOLERANCE: +/- 0.25" (UNLESS SPECIFIED)		WEIGHT: 614.11 LBS		TITLE: DE23 OUTLINE DRAWING	
	MATERIAL: SEE TABLE		MODEL: DE23		PART: O-527	