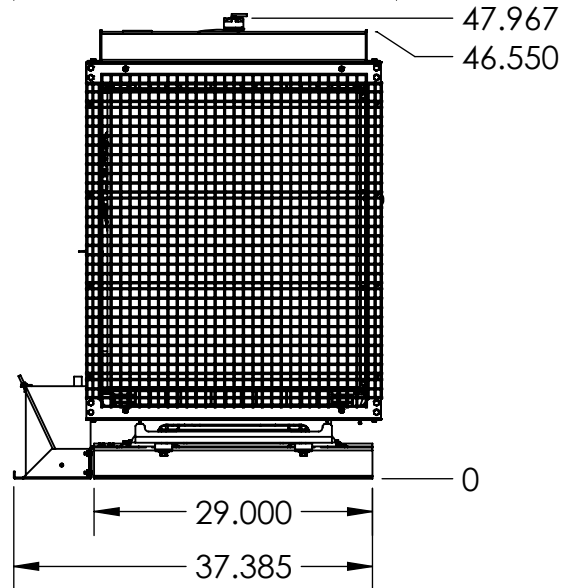
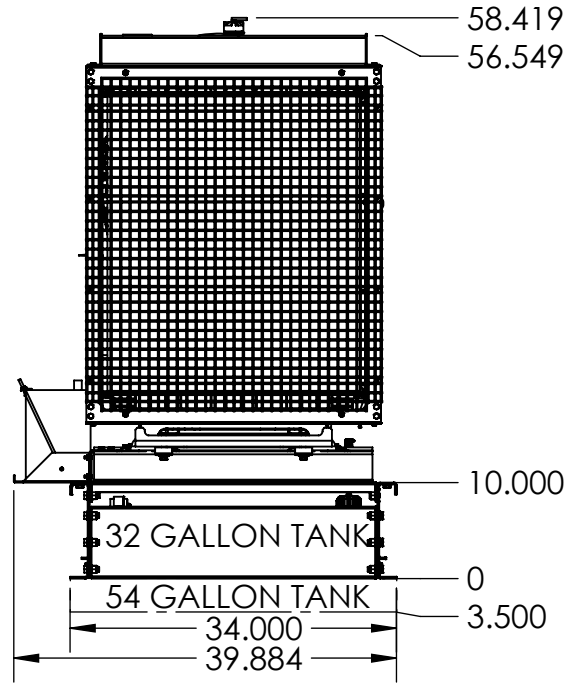
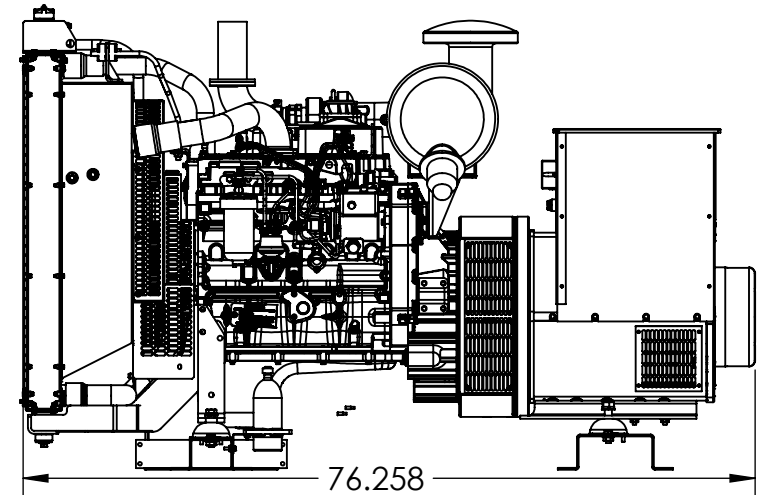
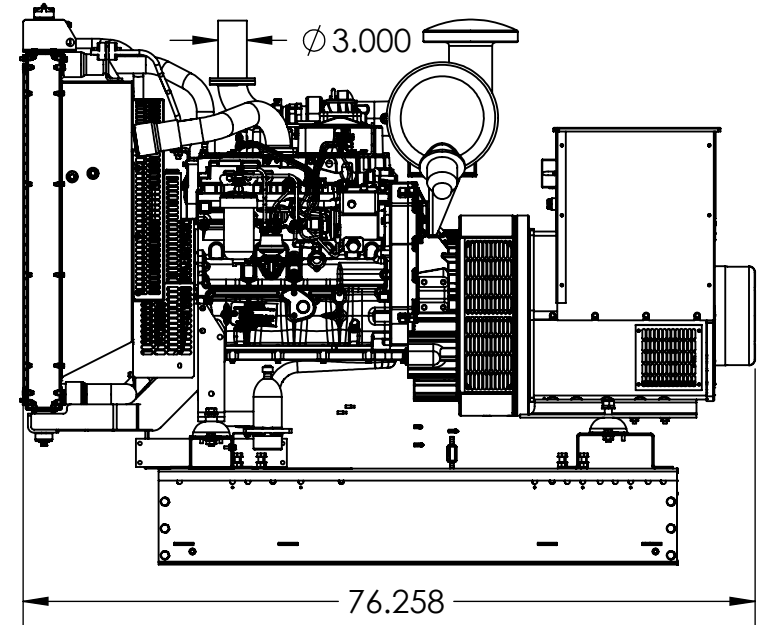


809-O

REVISION RECORD					
REV	ECO	DESCRIPTION	DATE	BY	APPR.
A	C2785	ORIGINAL	6/27/2015	DRC	SW
B	C4107	ADDED DIM FOR 54 GAL TANK	2/23/2017	SEW	SEW

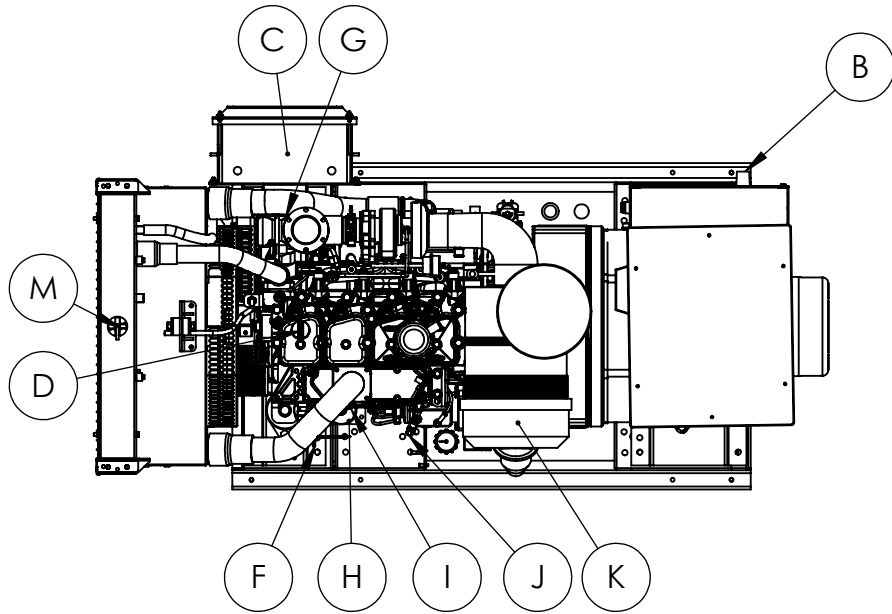


SHOWN WITHOUT
32 GALLON TANK

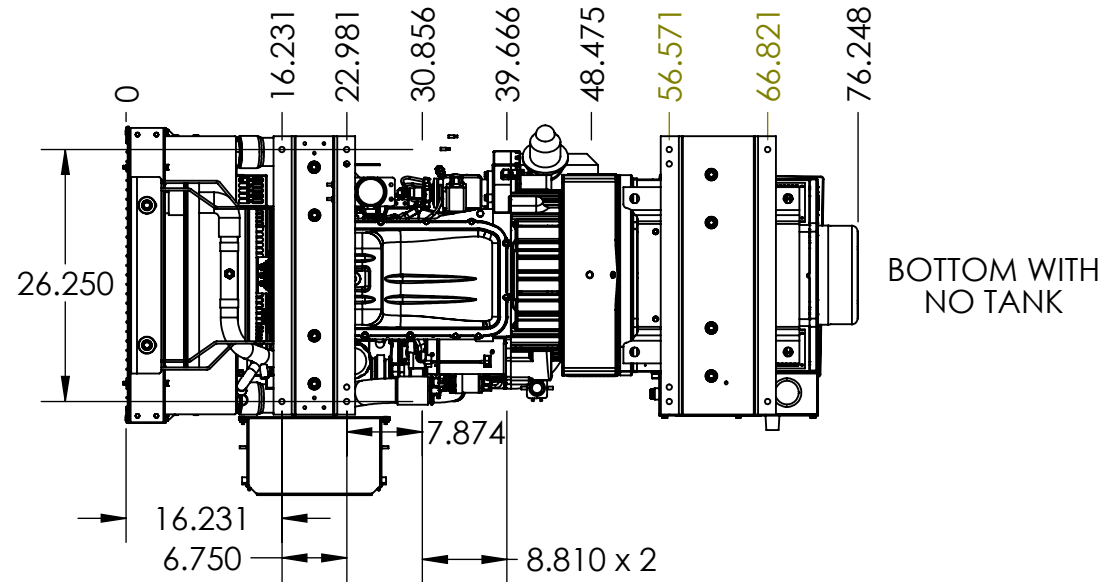
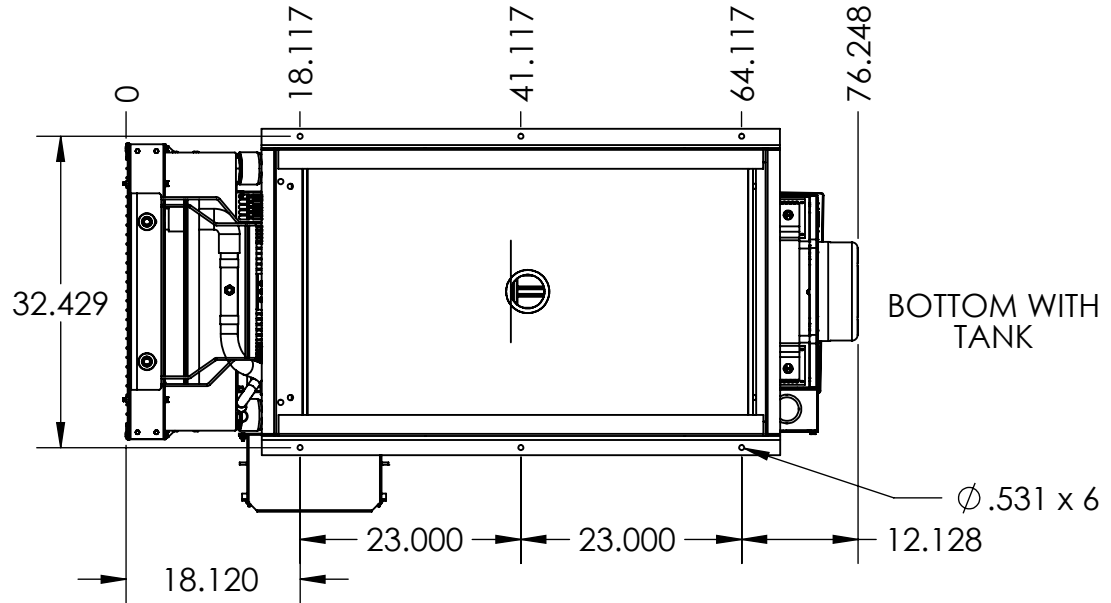


	DRAWN BY	DATE	CHK'D BY	DATE	ENG APPR.	DATE
	DRC	6/27/2015			SW	7/7/2015
THIS DRAWING CONTAINS PROPRIETARY INFORMATION BELONGING TO WINCO. UNAUTHORIZED USE IS PROHIBITED ALL DIMENSIONS INCH	TOLERANCE:	+/- 0.0625 DECIMAL +/- 1 DEG ANGULAR		TITLE: OUTLINE DRAWING DE90		
	MODEL:	DE90F4		PART: O-508 1 OF 2		

809-O



REVISION RECORD					
REV	ECO	DESCRIPTION	DATE	BY	APPR.
A	C2785	ORIGINAL	6/27/2015	DRC	SW
B	C4107	ADDED DIM FOR 54 GAL TANK	2/23/2017	SEW	SEW



KEY COMPONENTS	
A	ENGINE CONTROL
B	MAIN LINE CIRCUIT BREAKER
C	START BATTERY
D	OIL FILL
E	OIL DRAIN (NOT SHOWN)
F	OIL DIPSTICK
G	OIL FILTER
H	FUEL FILTER
I	FUEL IN (10MM FITTING)
J	FUEL RETURN (9MM FITTING)
K	AIR FILTER
L	COOLANT DRAIN (NOT SHOWN)
M	COOLANT FILL

	DRAWN BY	DATE	CHK'D BY	DATE	ENG APPR.	DATE
	DRC	6/27/2015			SW	7/7/2015
THIS DRAWING CONTAINS PROPRIETARY INFORMATION BELONGING TO WINCO. UNAUTHORIZED USE IS PROHIBITED. ALL DIMENSIONS INCH	TOLERANCE:	+/- 0.0625 DECIMAL +/- 1 DEG ANGULAR		TITLE: OUTLINE DRAWING DE90		
	MODEL:	DE90F4		PART: O-508 2 OF 2		