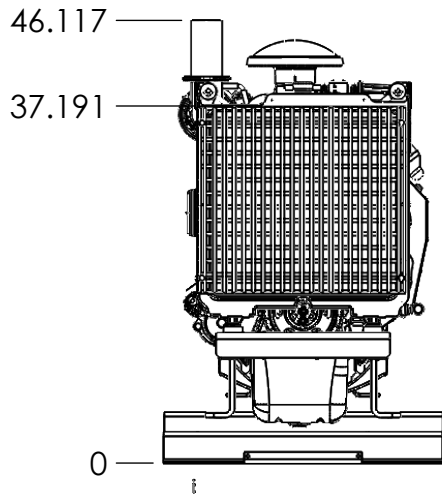
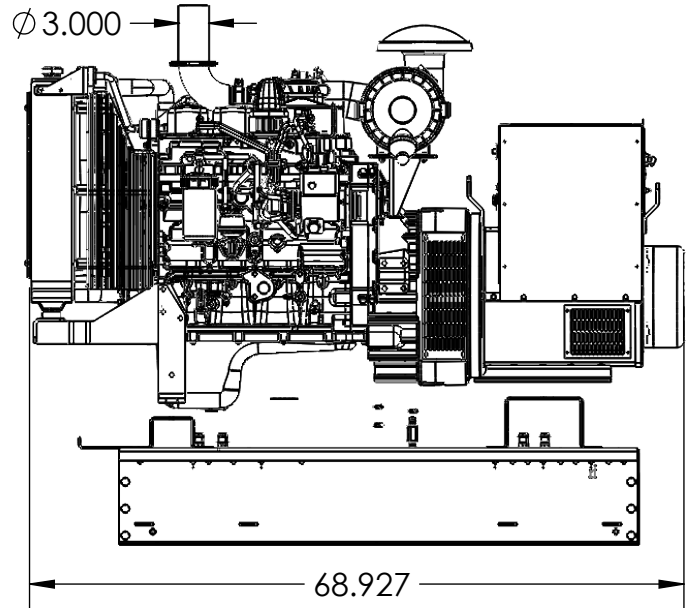
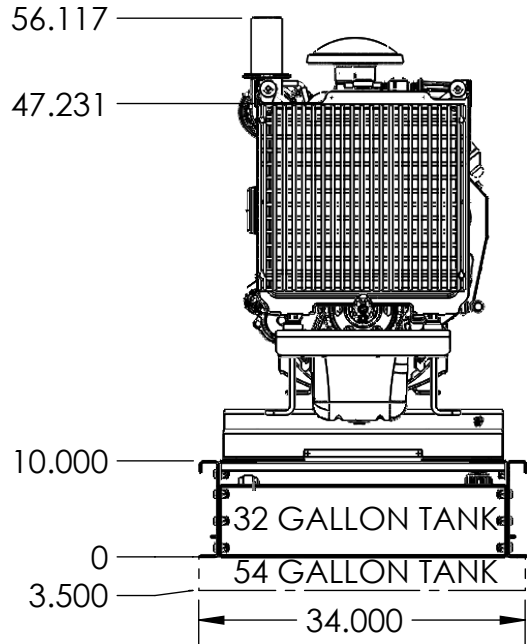
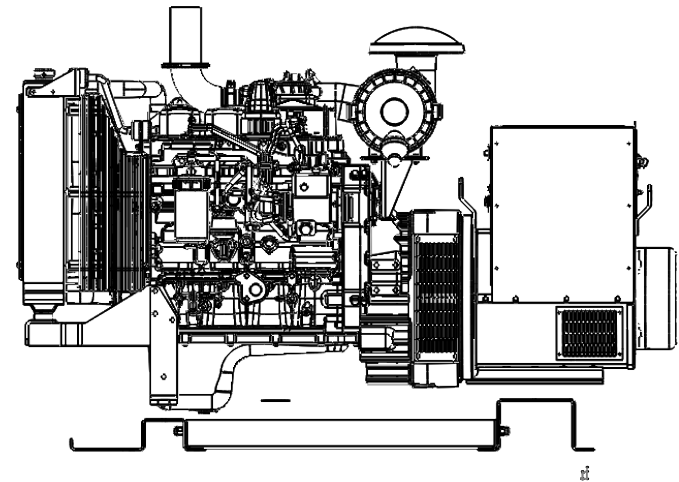


909-O

REVISION RECORD					
REV	ECO	DESCRIPTION	DATE	BY	APPR.
A	C2785	ORIGINAL	6/27/2015	DRC	SW
B	C4107	ADDED DIM FOR 54 GAL TANK	2/23/2017	SEW	SEW



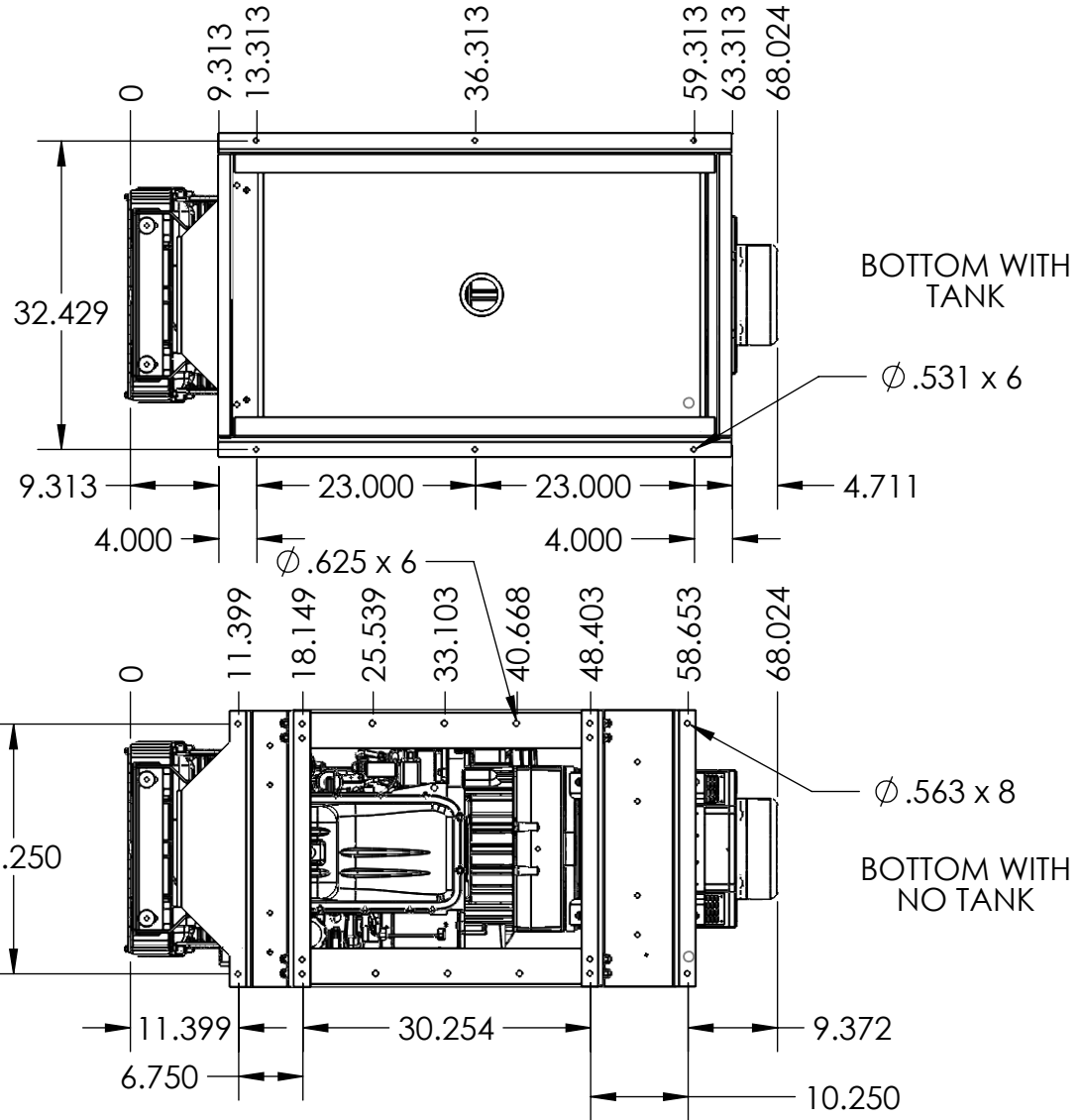
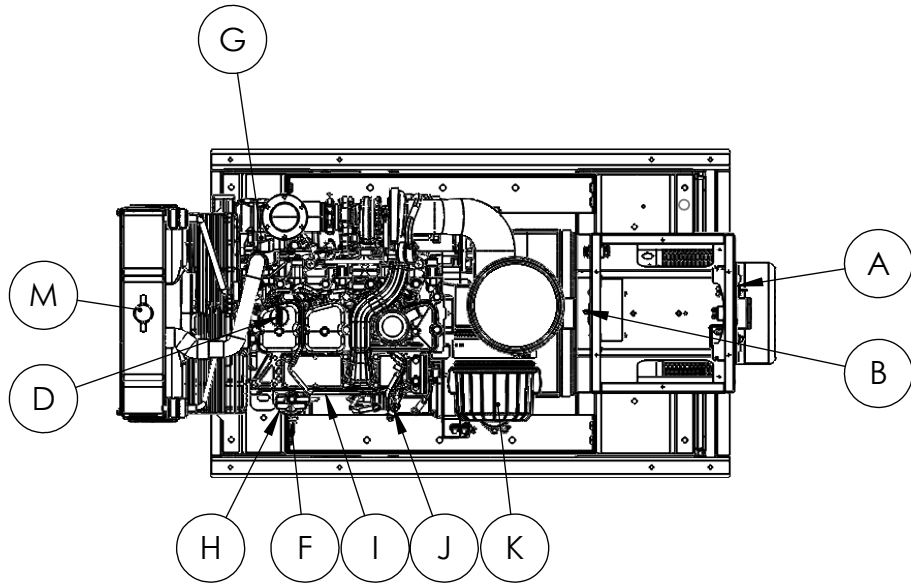
SHOWN WITHOUT
32 GALLON TANK



	DRAWN BY DRC	DATE 6/27/2015	CHK'D BY	DATE	ENG APPR. SW	DATE 7/7/2015
	TOLERANCE: +/- 0.0625 DECIMAL +/- 1 DEG ANGULAR		TITLE: OUTLINE DRAWING DE45			
MODEL: DE45				PART: O-506		1 OF 2
THIS DRAWING CONTAINS PROPRIETARY INFORMATION BELONGING TO WINCO. UNAUTHORIZED USE IS PROHIBITED ALL DIMESNIONS INCH						

909-O

REVISION RECORD					
REV	ECO	DESCRIPTION	DATE	BY	APPR.
A	C2785	ORIGINAL	6/27/2015	DRC	SW
B	C4107	ADDED DIM FOR 54 GAL TANK	2/23/2017	SEW	SEW



KEY COMPONENTS	
A	ENGINE CONTROL
B	MAIN LINE CIRCUIT BREAKER
C	START BATTERY (BELOW RADIATOR)
D	OIL FILL
E	OIL DRAIN (NOT SHOWN)
F	OIL DIPSTICK
G	OIL FILTER
H	FUEL FILTER
I	FUEL IN (10MM FITTING)
J	FUEL RETURN (9MM FITTING)
K	AIR FILTER
L	COOLANT DRAIN (NOT SHOWN)
M	COOLANT FILL

	DRAWN BY DRC	DATE 6/27/2015	CHK'D BY	DATE	ENG APPR. SW	DATE 7/7/2015
	TOLERANCE: +/- 0.0625 DECIMAL +/- 1 DEG ANGULAR		TITLE: OUTLINE DRAWING DE45			
MODEL: DE45				PART: O-506	2 OF 2	
ALL DIMENSIONS INCH						