

DYNA

CSADL6000I/C

CSADL6000IE/C

**INSTALLATION, OPERATION,
and MAINTENANCE INSTRUCTIONS**



WINGO INC
A Division of **DTE** Dyna Technology Inc

Read and understand all instructions in the manual before starting and operating the generator set.

USING THIS MANUAL

Congratulations on your choice of a DYNA generator set. You have selected a high-quality, precision-engineered generator set designed and tested to give you years of satisfactory portable service.

To get the best performance from your new engine generator set, it is important that you carefully read and follow the operating instructions in this manual.

Should you experience a problem please follow the "Things To Check" near the end of this manual. The warranty listed in this manual describes what you can expect from DYNA should you need service assistance in the future.

PROPER USE AND INSTALLATION

You must be sure your new engine generator set is:

- * Properly serviced before starting
- * Operated in a well ventilated area
- * Operated so that exhaust gases are dispersed safely
- * Wired by a qualified electrician
- * Operated only for its designed purposes
- * Used only by operators who understand its operation
- * Properly maintained

UNIT SPECIFICATIONS

GENERATOR

Surge Watts	6000
Continuous Watts	5500
Volts	120/240
Amps	22.9

Receptacles

Nema 5-20R (120V)	2 (20A Duplex)
Nema L14-30R (120/240V)	1 (30A Twistlock)

ENGINE

	Briggs & Stratton Intek	
	Electric Start	Recoil Start
Model Number	210417	210412
Type & Code	0134-E1	0070-E1
Fuel Capacity	4.5 Gallons	
Run Time - Full Load	6.5 Hours	
Run Time - Half Load	10.2 Hours	
Starting System	Electric/Recoil	Recoil
Stop System	Key Switch	Panel Switch

COMPLETE UNIT

Weight	153 lbs.	150 lbs.
Dimensions LxWxH	26.25" X 17.5" X 21.4"	

COPY YOUR MODEL AND SERIAL NUMBER HERE

No other DYNA generator has the same serial number as yours. It is important that you record the number and other vital information here. If you should ever need to contact us on this unit it will help us to respond to your needs faster.

MODEL _____

SERIAL NUMBER _____

PURCHASE DATE _____

DEALER _____

TABLE OF CONTENTS

INTRODUCTION	i
UNIT SPECIFICATIONS	i
GUIDE TO PRODUCT SAFETY	1
BASIC INFORMATION	
Intended Uses	2
Restricted Uses	2
Unit Capabilities	2
PREPARING THE UNIT	
Unpacking the unit	3
Unit Preparation	3
Low Oil Level Shutdown System	3
STARTING INSTRUCTIONS	
Initial Starting	4
Starting	4
Starting Hints	4
Stopping And Storage	4
Operating Speed	5
Connecting The Loads	5
OPERATOR CARE AND MAINTENANCE	
Engine Care	6
Generator Care	6
Cleaning	6
Troubleshooting - Things To Check BEFORE You Call For Service	7
Generator Parts List	7
Complete Unit Parts List	8
Receptacle Panel Parts List	9
Wiring Diagram	10
WARRANTY	10

GUIDE TO PRODUCT SAFETY

This engine generator set has been designed and manufactured to allow safe, reliable performance. Poor maintenance, improper or careless use can result in potential deadly hazards; from electrical shock, exhaust gas asphyxiation, or fire. Please read all safety instructions carefully before installation or use. Keep these instructions handy for future reference. Take special note and follow all warnings on the unit labels and in the manuals.

ANSI SAFETY DEFINITIONS

DANGER:

DANGER indicates an imminently hazardous situation which, if not avoided, will result in death or serious injury. This signal word is to be limited to the most extreme situations.

WARNING:

WARNING indicates a potentially hazardous situation which, if not avoided, could result in death or serious injury.

CAUTION:

CAUTION indicates a potentially hazardous situation which, if not avoided, may result in minor or moderate injury. It may also be used to alert against unsafe practices.

NOTE:

CAUTION is also used on the unit labels and in this manual to indicate a situation that could result in serious damage or destruction of the equipment and possible personal injury.

1. ELECTRIC SHOCK- The output voltage present in this equipment can cause a fatal electric shock. This equipment must be operated by a responsible person.

- a. Do not allow anyone to operate the generator without proper instruction.
- b. Guard against electric shock.
- c. Avoid contact with live terminals or receptacles.
- d. Use extreme care if operating this unit in rain or snow.
- e. Use only three-prong grounded plugs and extension cords.
- f. Be sure the unit is properly grounded to an external ground rod driven into the earth.

2. FIRE HAZARD- Gasoline and other fuels always present a hazard of possible explosion and/or fire.

- a. Do not refuel when the engine is running or hot. Allow the engine to cool at least two minutes before refueling.
- b. Keep fuel containers out of reach of children.
- c. Do not smoke or use open flame near the generator set or fuel tank.
- d. Keep a fire extinguisher nearby and know its proper use. Fire extinguishers rated ABC by NFPA are appropriate.
- e. Store fuel only in an approved container, and only in a well-ventilated area.

3. DEADLY EXHAUST GAS - Exhaust fumes from any gasoline engine contain carbon monoxide, an invisible, odorless and deadly gas that must be mixed with fresh air.

- a. Operate only in well ventilated areas.
- b. Never operate indoors.
- c. Never operate the unit in such a way as to allow exhaust gases to seep back into closed rooms (i.e. through windows, walls or floors).

4. NOISE HAZARD - Excessive noise is not only tiring, but continual exposure can lead to loss of hearing.

- a. Use hearing protection equipment when working around this equipment for long periods of time.
- b. Keep your neighbors in mind when permanently installing this equipment.

5. CLEANLINESS- Keep the generator and surrounding area clean.

- a. Remove all grease, ice, snow or materials that create slippery conditions around the unit.
- b. Remove any rags or other material that could create potential fire hazards.
- c. Carefully wipe up any gas or oil spills before starting the unit.
- d. Never allow leaves or other flammable material to build up around the engine exhaust area.

6. SERVICING EQUIPMENT- All service, including the installation or replacement of service parts, should be performed only by a qualified technician.

- a. Use only factory approved repair parts.
- b. Do not work on this equipment when fatigued.
- c. Never remove the protective guards, cover, or receptacle panels while the engine is running.
- d. Use extreme caution when working on electrical components. High output voltages from this equipment can cause serious injury or death.
- e. Always avoid hot mufflers, exhaust manifolds, and engine parts. They all can cause severe burns instantly.
- f. Installing a home-standby generator is not a "do-it-yourself" project. Consult a qualified, licensed electrician or contractor. The installation must comply with all national, state, and local codes.

INTENDED USES

These engine generator sets have been designed primarily for portable use. Both 120 and 240 volt AC receptacles are provided in the 'control panel' to plug in your loads (lights, portable tools, and small appliances). These units are dual wound generators, therefore the 120 Volt loads must be equally split with 1/2 of the rated capacity available on each of the two 120 Volt circuits. See unit capabilities for further explanation.

These portable units require large quantities of fresh air for cooling of both the engine and the generator. Fresh air is drawn from both the engine end and the generator end and is exhausted at the center of the unit. For safety, long life and adequate performance, these units should never be run in small compartments without positive fresh air flow.

RESTRICTED USES

DO NOT remove from the cradle assembly. Removal of the generator from the cradle assembly may cause excessive vibration and damage to the engine generator set.

DO NOT install and operate these portable generators in a small compartment., i.e. generator compartment of vehicles, motor homes or travel trailers. These compartments will not allow enough free flow fresh air to reach the engine generator set for cooling and will cause the unit to overheat damaging both the engine and the generator. Small compartments will also develop hot spots where there is very little air flow and may cause a fire.

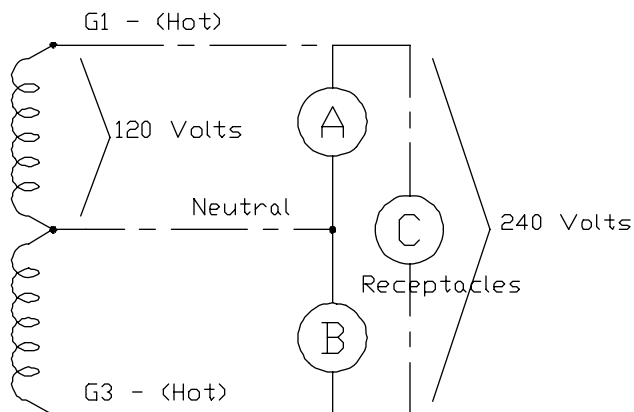
DO NOT attempt to operate at 50 cycles. These units are designed and governed to operate at 60 cycles only.

UNIT CAPABILITIES

Generator Connections - The diagram below represents a typical 5500 watt generator. Receptacles A and B are the two 120 Volt duplex receptacles. Up to 2750 watts at 120 volts (22.9 Amps) can be taken from the generator at each of the receptacles. This generator produces 120 and 240 volt, 60 Hz (Hertz), AC (Alternating Current).

CAUTION: EQUIPMENT DAMAGE

CAUTION MUST BE EXERCISED TO PREVENT OVERLOADING EITHER OF THE GENERATORS 120 VOLT OUTPUT CIRCUITS (A OR B).



Check the appliance or tool nameplates for the current and voltage to insure compatibility. Remember that power taken from receptacle C reduces the power available at both A and B. Any remaining 120 volt loads should be equally divided between A and B. Failure to split the load will cause permanent damage to the stator. Although circuit breakers are provided, damage due to overloading constitutes abuse and will not be warranted.

Starting Electric Motors - Electric motors require much more current (amps) to start them than to run them. Some motors, particularly low cost split-phase motors, are very hard to start and require 5 to 7 times as much current to start them as to run them. Capacitor motors are easier to start and usually require 2 to 4 times as much current to start them as to run them. Repulsion Induction motors are the easiest to start and usually require 1 1/2 to 2 1/2 times as much to start them as to run them.

Most fractional horsepower motors take about the same amount of current to run them whether they are of Repulsion-Induction (RI), Capacitor (Cap), or Split-Phase (SP) type. The chart below shows the approximate current required to start and run various types and sizes of 120 volt 60 cycle electric motors under average load conditions.

HP	RUNNING		STARTING AMPS		
	AMPS	SP	CAP	RI	
1/6	3.2	16 TO 22	6 TO 13	5 TO 8	
1/4	4.5	22 TO 32	9 TO 18	7 TO 12	
1/3	5.2	26 TO 35	10 TO 21	8 TO 17	
1/2	7.2	NOT MADE	14 TO 29	11 TO 18	
1	13.0	NOT MADE	26 TO 52	20 TO 33	

The figures given above are for an average load such as a blower or fan. If the electric motor is connected to a hard starting load such as an air compressor, it will require more starting current. If it is connected to a light load, or no load such as a power saw, it will require less starting current. The exact requirement will also vary with the brand or design of the motor.

Self-excited generators respond to severe overloading differently than the power line. When overloaded, the engine is not able to supply enough power to bring the electric motor up to operating speed. The generator responds with high initial starting current, but the engine speed drops sharply. The overload may stall the engine. If allowed to operate at very low speeds, the electric motor starting winding will burn out in a short time. The generator winding might also be damaged.

CAUTION: EQUIPMENT DAMAGE

RUNNING THE GENERATOR SET UNDER THESE CONDITIONS MAY RESULT IN DAMAGING THE GENERATOR STATOR AS WELL AS THE MOTOR WINDING.

Because the heavy surge of current required for starting motors is required for only an instant, the generator will not be damaged if it can bring the motor up to speed in a few seconds of time. If difficulty is experienced in starting motors, turn all other electrical loads off and if possible reduce the load on the electric motor.

UNPACKING

CAUTION: EQUIPMENT DAMAGE

THIS UNIT HAS BEEN SHIPPED WITHOUT OIL. Failure to maintain the engine oil at the proper level will result in serious engine damage.

When you unpack your new ENGINE GENERATOR be sure to remove all the information sheets and manuals from the carton.

1. This power plant was in good order when shipped. Inspect the power plant promptly after receiving it. If damage is noted, notify the transportation company immediately; request proper procedures for filing a "concealed damage" claim. Title to the equipment and responsibility for filing a claim rests with you when a generator is sent F.O.B. shipping point. Only you can legally file a claim.
2. Before proceeding with the preparation of your new engine generator set for operation, take a couple of minutes to insure that the unit you have received is the correct model and review the specification pages in this manual to insure that this unit fits your job requirements.

UNIT PREPARATION

Before your engine generator was shipped from our factory it was fully checked for performance. The generator was load tested to its full capacity, and the voltage and frequency were carefully checked and adjusted.

Lubrication

Before starting the engine, fill the crankcase to the proper level with a good quality oil. The recommended grade of oil and quantity of oil required is listed in the engine operator's manual. The necessity of using the correct oil, and keeping the crankcase full cannot be over emphasized. Engine failures resulting from inadequate or improper lubricant are considered abuse and are not covered by the generator or the engine manufacturer's warranty.

Gasoline Fuel

When using gasoline always use a good grade of unleaded fuel. Leaded gasoline may be used if unleaded is not available. Gasoline containing alcohol, such as gasohol is not recommended. However, if gasoline with alcohol is used, it must not contain more than 10 percent Ethanol and must be removed from the engine during storage. DO NOT use gasoline containing methanol. Always insure that the fuel is clean and free of all impurities.

WARNING: FIRE DANGER

Gasoline and its fumes are VERY explosive when proper precautions are not taken.

Never use gasoline that has been stored for an extended period of time as the fuel will lose its volatile properties and you will be left with only the varnish residue. This varnish like substance will clog the carburetor and will not burn properly. The use of a fuel additive, such as STA-BIL, or an equivalent will minimize the formation of fuel gum deposits. If a unit has been out of operation for an extended period of time it is best to drain old fuel from the engine and replace with fresh fuel before attempting to start.

BATTERY INSTALLATION

If you intend to use the power plant's electric start system, you will need to purchase a battery to operate it. Units equipped with a recoil or rope start will operate satisfactorily without a battery. A twelve volt battery, group U1 rated at 235 CCA or larger is recommended for this electric start engine generator set. Follow the battery manufacturer's recommendations for servicing and charging prior to use.

CAUTION: EQUIPMENT DAMAGE

*These electric start engines are **NEGATIVE GROUND**. Use extreme caution when connecting the battery. Connect the **NEGATIVE** battery terminal to **GROUND**.*

For your safety always connect the positive battery cable to the "bat+" terminal first. Then connect the negative battery cable to the "bat-" terminal. Make sure all connections are clean and tight. Reverse the sequence when disconnecting, disconnect the negative cable first. These engines produce enough direct current to keep a battery charged under normal operating conditions, but were not intended to be used as a battery charger.

WARNING: PERSONAL INJURY

Lead acid batteries produce explosive hydrogen gas when charging. Keep sparks, flames, and burning cigarettes away from the battery. Ventilate the area when charging or using the battery in an enclosed space. Lead acid batteries contain sulfuric acid, which causes severe burns. If acid contacts eyes, skin or clothing, flush well with water. For contact with eyes, get immediate medical attention.

Battery Charging

Units equipped with electric start have a small flywheel charger built into the engine flywheel assembly for recharging the starting battery. This flywheel charger generates a small AC current that passes through a diode at the end of the charging lead to produce a DC charging current of about 1 AMP. This circuit is not designed to be used as a battery charging circuit to recharge dead batteries.

LOW OIL LEVEL WARNING SYSTEM

This engine generator sets come equipped standard with the Briggs & Stratton OILGARD warning system.

This low oil warning system will automatically stop the engine when the oil level is low. This feature is designed to reduce costly repairs and downtime.

The OILGARD system uses a sensor in the engine crankcase to sense the oil level. If a low oil level condition should occur during operation, the low oil module will ground out the magneto impulse, "killing" the engine. To get the engine restarted, you must add the required amount of oil to the engine crankcase.

Use of the OILGARD system on applications that are subject to shock, bumping or severe angles of operation (in excess of 15 degrees) should be avoided. This is especially true if an unexpected **shutdown would cause a safety hazard** or serious inconvenience for the operator.

Optional Dolly Kit

An optional dolly kit is available for this engine generator set. The dolly kit comes with instructions and parts list. After installing the dolly kit, file the instructions and parts list in the back of this manual for future reference.

INITIAL START UP

Use the following checklist to verify the correct preparation of the engine generator before starting.

Before Starting always Check:

1. Engine oil, fill as required with correct grade and quantity.
2. Fuel level, fill as required with clean fresh fuel.
3. Visually for loose parts.

STARTING

The throttle control on these generators is preset and locked to operate at 3600 RPM (nominal) with no load speed set at 3720 RPM. Only a trained service technician should be allowed to adjust this speed setting. See "Operating Speed" section for additional information.

NOTICE: ENGINE START LOCKOUT

*This unit **will not start** if it is low on oil. The lubricating oil level must be at the **full** mark before the engine will start and run.*

Electric Starting - If the engine is cold and stiff or if the battery is not fully charged, starting can be made easier by slowly hand cranking the engine through the compression stroke before pushing the starter switch. This permits the starter to gain momentum before the heavy load of the compression stroke occurs. This minimizes the drain on the battery and improves the possibility of starting under such adverse conditions. Always keep the battery charged, but especially during cold weather operation.

1. Turn on the fuel supply (multi-turn valve).
2. Move the choke to the full "on" position. A warm engine will require less choking than a cold engine.
3. Turn the key to the run position.
4. Push start switch to engage the starter. The starter life is improved by using shorter starting cycles with time to cool off between cranking cycles. Do not operate the starter more than 15 seconds during each minute. Repeat if necessary.
5. When the engine starts, open the choke gradually.

Manual Starting - Refer to the engine manual for additional starting, operating, and stopping instructions.

1. Turn on the fuel supply (multi-turn valve).
2. Move the choke to the full "on" position. A warm engine will require less choking than a cold engine.
3. Move the stop switch to the run position.
4. Grasp the starter rope and pull slowly until resistance is felt. Then pull the cord rapidly to overcome compression, prevent kickback and start the engine. Repeat if necessary with the choke in run position.
5. When the engine starts move the choke to the run position.

CAUTION: EQUIPMENT DAMAGE

Never permit the choke to remain on after the engine has run for a short time. It is not necessary to choke the engine when it is warm. Avoid over-choking.

STARTING HINTS

1. Cold weather
 - a. Use the proper oil for the temperature expected.
 - b. Use fresh winter grade fuel. Winter grade gasoline is blended to improve starting. Do not use summer gasoline.
2. Hot weather
 - a. Use the proper oil for the temperature expected.
 - b. Use only summer blended gasoline. Using gasoline left over from winter may cause the unit to vapor lock.
 - c. DO NOT over-choke the unit.

STOPPING AND STORAGE

1. Depress the stop switch mounted on the front of the engine housing to stop the engine.
2. Turn off the fuel shut-off valve.
3. Before extended storage (over 30 days) certain precautions must be taken to ensure the fuel doesn't deteriorate and clog the fuel system. Note: The use of a fuel additive, such as STA-BIL, or an equivalent, will minimize the formation of gum deposits during storage. Such an additive may be added to gasoline in the engine's fuel tank or to gasoline in a storage container.
 - a. Remove the remaining fuel from the fuel tank.
 - b. Start the engine and allow it to run until all the fuel in the carburetor and the fuel lines has been used up and the engine stops.
 - c. While the engine is warm, drain the oil and refill with fresh oil.
 - d. Remove the spark plug, pour approximately 1/2 ounce (15 cc) of engine oil into the cylinder and crank slowly to distribute oil. Replace spark plug.
 - e. Clean dirt and chaff from cylinder, cylinder head fins, blower housing, rotating screen and muffler areas.
 - f. Store in a clean and dry area.

OPERATING SPEED

The engine-generator must be run at the correct speed in order to produce the proper electrical voltage and frequency.

CAUTION: EQUIPMENT DAMAGE

The output voltage should be checked to insure the generator is working properly prior to connecting a load to the generator. Failure to do so could result in damage to equipment plugged into the unit and possible injury to the individual.

All engines have a tendency to slow down when a load is applied. When the electrical load is connected to the generator, the engine is more heavily loaded, and as a result the speed drops slightly. This slight decrease in speed, together with the voltage drop within the generator itself, results in a slightly lower voltage when the generator is loaded to its full capacity than when running no load. The slight variation in speed also affects the frequency of the output current. This frequency variation has no appreciable effect in the operation of motors, lights and most appliances. However, electronic equipment and clocks will be affected if correct RPM is not maintained. See Load vs. Output chart.

Although individual units and models may vary slightly, the normal voltage and frequency of the engine-generators described in this book are approximately as follows, under varying loads:

LOAD vs. OUTPUT

Generator Load Applied*	Frequency Speed (RPM)	Frequency (Hz)	Voltage 120V Recpt.
None	3750	62.5	126V
Half	3600	60.0	122V
Full	3540	59.0	119V

*Portion of plant's rated output current.

The speed of the engine was carefully adjusted at the factory so that the generator produces the proper voltage and frequency. For normal usage, the speed setting should not be changed. If the generator is being run continuously on a very light load, it is often advisable to lower the operating speed slightly. Whenever making any speed adjustments check the unit with a voltmeter or tachometer and be sure the speed is correct.

Lower voltage may damage both the generator and any load connected to it. Running the engine at excessively high speeds results in high voltage, which may significantly shorten the life of appliances being used.

Output voltage should be checked periodically to ensure continued proper operation of the generating plant and appliances. If the generator is not equipped with a voltmeter, it can be checked with a portable meter. Frequency can be checked by using an electric clock with a sweep second hand. Timed against a wrist watch or a stop watch the clock should be correct within +/- 2 seconds per minute.

OPERATING YOUR GENERATOR

The engine-generators covered in this manual were designed for portable use. **DO NOT INSTALL OR OPERATE THIS GENERATOR INDOORS.** The unit should be stored in a warm dry location. During a power outage, move the unit outdoors to a flat dry location such as a driveway or sidewalk.

Allow the engine to warm up for two or three minutes before applying any load. This will allow the engine to reach normal operating temperature and oil to circulate throughout the engine. A short warm-up time will permit the engine to work more efficiently when the load is applied and will reduce the wear in the engine, extending its life.

Receptacles have been provided to allow loads to be connected to the generator. The loads should be added one at a time. If a large motor is being started or multiple motors are being started, they should be started individually and the largest should be started first.

Most electric tools and appliances will have the voltage and amperage requirements on their individual nameplates. When in doubt consult the manufacturer or a local electrician. The nameplate amperage rating for electric motors can be misleading. See "Starting Electric Motors" in Unit Capabilities (page 2).

These engine generator sets are inherently self regulating based on engine speed. The engine governor will automatically adjust itself to the load. No harm to the generator will result if it is operated with no load connected.

Proper utilization of the receptacles located on the control panel is necessary to prevent damage to either the receptacles or the generator. The generator is a limited source of electrical power, therefore pay special attention to the receptacle and generator ratings. The nameplate rating can be obtained through a single receptacle as long as the receptacle amperage rating is not exceeded.

HARD WIRING YOUR GENERATOR

Temporary Power

'Hard Wiring' this unit directly into a temporary construction site electrical system is NOT A SIMPLE DO-IT-YOURSELF JOB. For your safety all wiring must be done by a qualified electrician and conform to the National Electric Code and comply with all state and local codes and regulations. Check with local authorities before proceeding.

WARNING: PERSONAL DANGER

A fully isolated, double pole double throw manual transfer switch must be installed any time a generator is being connected to an existing distribution system.

To connect these units directly to an un-powered, isolated construction site TemPower panel, have your electrician connect to the control panel using a 120/240 volt, four wire twistlock plug (L14-30P). The use of locking receptacles and locking plugs provides the convenience of quick disconnect, for moving, while allowing non electrical workers to safely reconnect the power. In addition they prevent the plug from being accidentally removed by bumping or vibration.

Home Standby

If the generator set is connected to existing (electrical) wiring circuits it is permitted only through a fully isolated manual transfer switch. The transfer switch prevents damage to the generator and other circuit components if main line power is restored while the generator is connected. Installing a transfer switch also permits the use of normal fusing.

Many homes and construction sites are wired for at least 60 to 100 Amp entrance service, much greater than the capacity of these portable generators. When installing the generator at these sites, a secondary emergency distribution panel may have to be installed, such as the Emergency Transfer/Service (ET/S) system available through your Winco dealer. The emergency distribution panel must be installed by a licensed electrician according to all applicable codes. The electrician will move the critical circuits to be powered during the outage to the emergency panel. Keep in mind only a limited amount of amperage is available from the generator set. Some circuit breakers may still have to be turned off to prevent an overload on the generator during the initial start up. See the nameplate on your generator for the amperage capabilities of your unit.

CAUTION: EQUIPMENT DAMAGE

Failure to properly limit and balance the load applied to the generator will cause the generator to produce low voltage and may damage the engine generator set. It may also cause severe damage to the loads connected to the generator at that time. Improper loading of the generator set constitutes abuse and will not be covered by warranty.

CAUTION: EQUIPMENT OVERLOAD

Keep the generator load within the generator and receptacle nameplate rating. Overloading may cause damage to the generator and/or the loads .

Grounding

All units must be grounded. Drive a 3/4 or 1" copper pipe or rod into the ground close to the engine-generator set. The pipe must penetrate moist earth. Connect an approved ground clamp, to the pipe. Run a no. 10 Awg wire from clamp to the generator ground lug on the generator. Do not connect to a water pipe or to a ground used by a radio system.

ENGINE CARE

If major engine service or repair is required contact an authorized engine service center. The manufacturer of these engines has established an excellent worldwide engine service organization. Engine service is very likely available from a nearby authorized dealer or distributor. Check the yellow pages of your local telephone directory under "Engines-Gasoline" for the closest engine repair center or ask the dealer from whom you purchased the power plant.

1. **Change the oil** after the first five hours of operation and every 50 hours thereafter under normal operating conditions. Change engine oil every 25 hours of operation if the engine is operated under heavy load, or in high ambient temperatures.
 - a. Remove oil drain plug at base of the engine and drain the oil with the engine warm.
 - b. Replace oil drain plug.
 - c. Remove oil filler plug and refill with new oil. Refer to the table in the engine manual for the proper grade of oil based on your operating temperature.
 - d. Replace filler plug.

2. **Checking the Oil Level:** The oil level must always be checked before the engine is started. Take care to remove any dirt or debris from around the oil fill plug before removing. Be sure the oil level is maintained. Fill to the "FULL" mark on the dipstick.

3. **Cartridge Air Cleaner** - Remove and clean cartridge yearly or after every 25 hours, whichever occurs first. Service more often if necessary. Clean by tapping gently on flat surface. If very dirty, replace the cartridge using only original equipment parts available at any engine service center.

Do not use petroleum solvents, such as kerosene, to attempt to clean the cartridge. They may cause deterioration of the cartridge. **DO NOT OIL CARTRIDGE, DO NOT USE PRESSURIZED AIR TO CLEAN OR DRY CARTRIDGE.**

4. **Dual Element Air Cleaner** - Clean and re-oil foam pre-cleaner at three month intervals or every 25 hours, whichever occurs first. Service more often under dusty conditions.

- a. Loosen screws and remove cover and air cleaner assembly from base.
- b. Remove foam pre-cleaner by sliding it off the paper cartridge.

- c. Wash foam pre-cleaner in liquid detergent and water
- d. Wrap foam pre-cleaner in cloth and squeeze dry.
- e. Saturate foam pre-cleaner in engine oil. Squeeze to remove excess oil.
- f. Install foam pre-cleaner over paper cartridge. Reassemble cover and screw down tight.

Replace the cartridge included with Dual Element Air Cleaner yearly or every 100 hours. Service more often if necessary.

5. **Spark Plug** - Clean and reset gap at .030" every 100 hours of operation. Do not blast clean spark plug. Clean by scraping or wire brushing and washing with a commercial solvent. Poor spark will occur if terminal does not fit firmly on spark plug. If this happens reform the terminal to fit firmly on spark plug tip.

GENERATOR CARE

Proper care and maintenance of the generator is necessary to insure a long trouble free life.

1. **Exercising The Generator** - The generator should be operated every three to four weeks. It should be operated for a period of time sufficient to warm the unit up and to dry out any moisture that has accumulated in the windings. If left, this moisture can cause corrosion in the winding. Frequent operation of the engine generator set will also insure that the set is operating properly should it be needed in an emergency.

2. **Generator Maintenance** - Any major generator service including the installation or replacement of parts should be performed only by a qualified electrical service technician.

USE ONLY FACTORY APPROVED REPAIR PARTS.

- a. **Bearing** - The bearing used in these generators is a heavy duty double sealed ball bearing. They require no maintenance or lubrication.
- b. **Receptacles** - Quality receptacles have been utilized. If a receptacle should become cracked or otherwise damaged, replace it. Using damaged or cracked receptacles can be both dangerous to the operator and destructive to the equipment.

CLEANING

Remove dirt and debris with a cloth or brush. **DO NOT** use high pressure spray to clean either the engine or the generator. This high pressure spray could contaminate the fuel system and the generator components.

1. Keep the air inlet screen on both the engine and generator free of any dirt or debris to insure proper cooling. At least yearly remove the blower housing on the engine and clean the chaff and dirt out of the engine cooling fins and flywheel. Clean more often if necessary. Failure to keep these areas clean may cause overheating and permanent damage to the unit.

2. Periodically clean muffler area to remove all grass, dirt and combustible debris to prevent a fire.

3. On engine mufflers equipped with spark arresters, the spark arrester must be removed every 50 hours for cleaning and inspection. Replace if damaged.

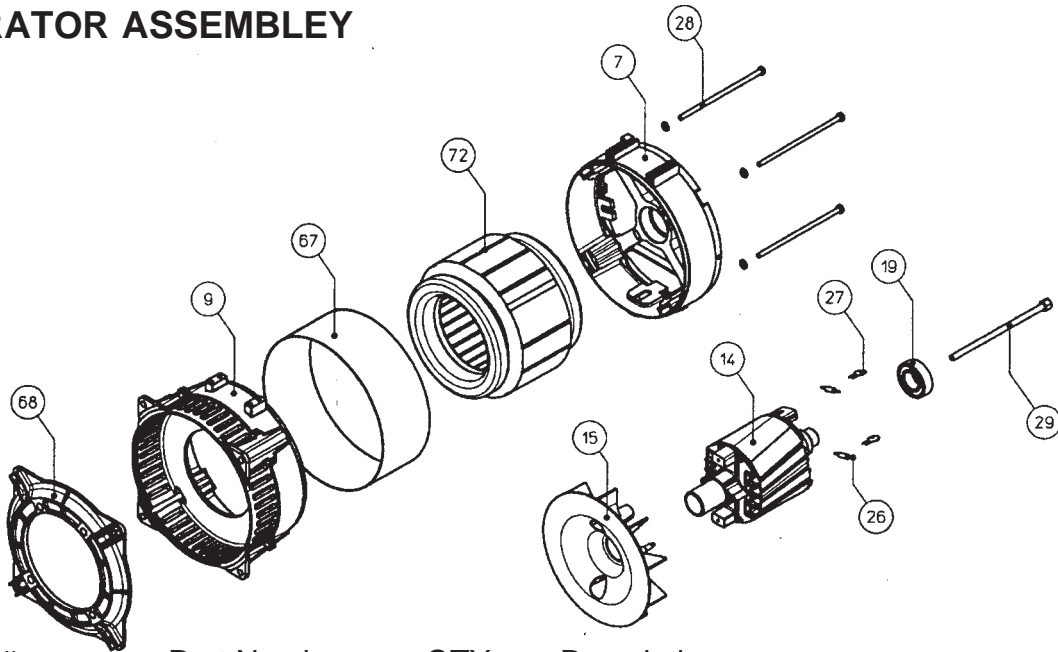
TROUBLESHOOTING HINTS

PROBLEM (SYMPTOMS) POSSIBLE CAUSES

Won't Start	<ul style="list-style-type: none"> *Low oil level. *Fouled spark plug. *Out of fuel. *Stop switch in stop position. *Gummed up fuel system. *Fuel turned off.
Voltage too low	<ul style="list-style-type: none"> *Engine speed is too low. *Generator overloaded. *Defective capacitor. *Defective stator. *Defective rotor (field).
Circuit Breaker Trips	<ul style="list-style-type: none"> *Over Loaded. *Defective receptacle. *Defective circuit breaker *Too small/long of drop cord.

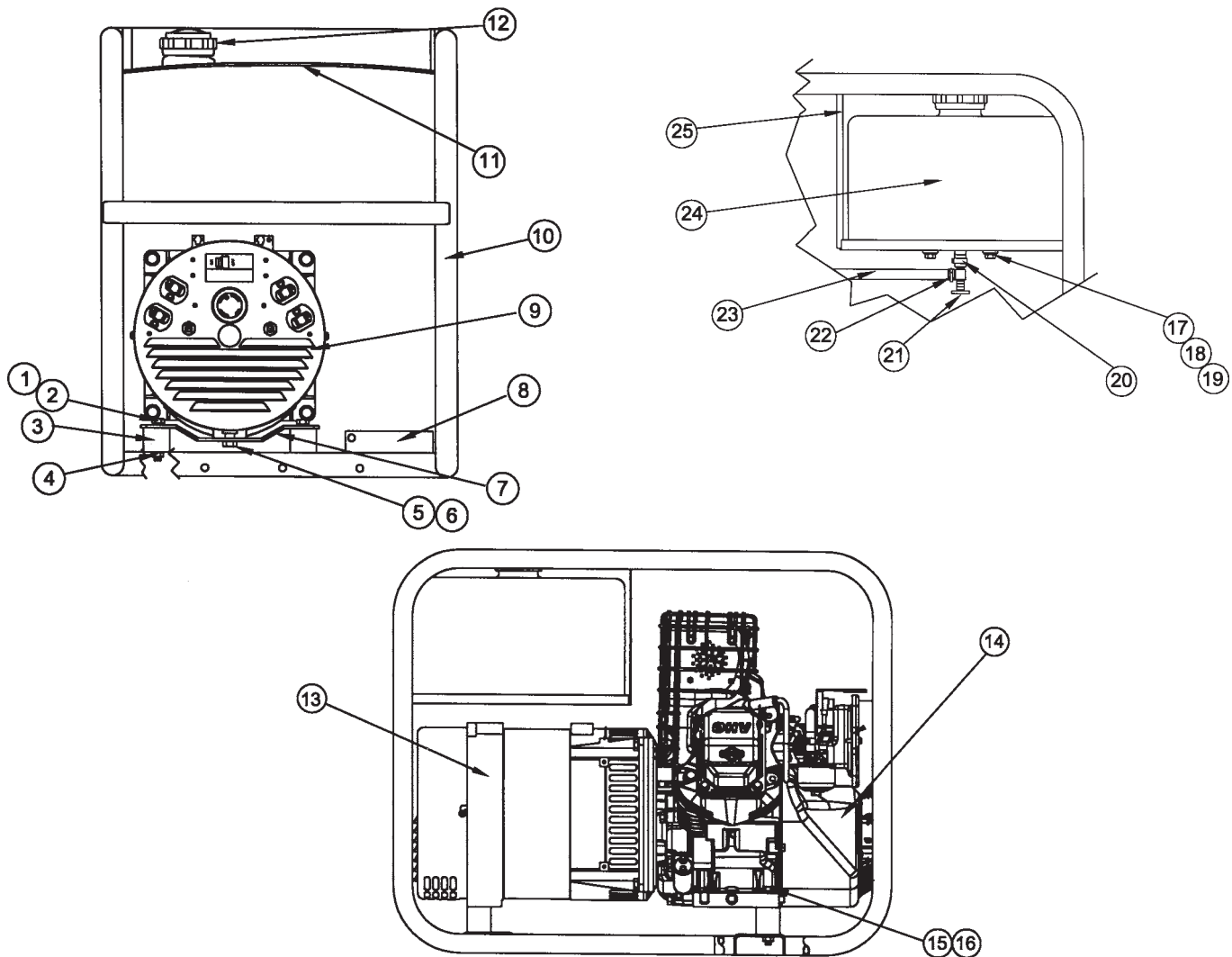
Voltage too high	*Engine speed is too high.
Generator overheating	<ul style="list-style-type: none"> *Overloaded. *Insufficient ventilation.
No output voltage	<ul style="list-style-type: none"> *Short in load (disconnect). *Broken or loose wire. *Defective receptacle. *No residual magnetism (in generator). *Defective stator. *Defective rotor (field). *Defective capacitor. *Defective diode. *Circuit breaker off or defective.

GENERATOR ASSEMBLY



REF #	Part Number	QTY	Description
7	16346-101	1	Bearing End Bracket
9	16346-102	1	Drive End Bracket
14	16346-103	1	Rotor Assembly
15	16346-104	1	Fan
19	54665-000	1	Bearing
26	16346-105	2	Diode
27	16346-106	2	Varistor
28	16346-107	4	Stator Bolts
29	16346-108	1	Rotor Bolt
67	16346-109	1	Stator Cover Band
68	16346-110	1	Engine Mounting Bracket
72	16346-111	1	Stator Assembly

COMPLETE UNIT ASSEMBLY

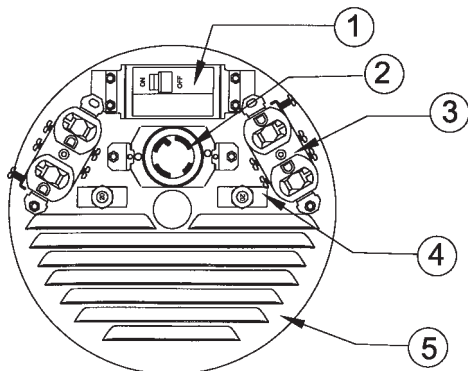


REF#	Part Number	QTY	Description
1	467-000	2	Cap Screw 5/16-18 X .75
2	480-000	2	Lockwasher 5/16
3	64062-000	4	Shock Mounts
4	16249-000	4	Locknut 5/16-18
5	16250-000	1	Flange Nut 3/8-16
6	464-000	1	Cap Screw 3/8-16 X.75
7	16335-001	1	Generator Support
8	15676-005	1	Battery Tray (1)
NI	15767-005	1	Negative Battery Cable (1)
NI	15767-016	1	Positive Battery Cable (1)
9	15617-002	1	End Cover Assembly
10	63073-025	1	Cradle Assembly
11	58684-011	1	Edge Trim

REF#	Part Number	QTY	Description
12	15482-000	1	Gas Cap
13	16346-001	REF	Complete Generator Assembly
14	15632-005	1	Engine B/S Intek (1) 210417-0134-E1
14	15632-006	1	Engine B/S Intek (2) 210412-0070-E1
15	468-000	2	Cap Screw 5/16-18 X 1.5
16	480-000	2	Lockwasher 5/16
17	466-000	2	Cap Screw 1/4-20 X .75
18	512-000	2	1/4 Flat Washer
19	16133-000	2	Leather Washer
20	81018-008	1	Clamp
21	98771-000	1	Fuel Valve
22	62999-001	2	Fuel Line Clamp
23	40078-000	28"	1/4" Fuel Line
24	64024-000	1	Fuel Tank 4.5 Gal.
25	15462-029	1	Fuel Tank Tray

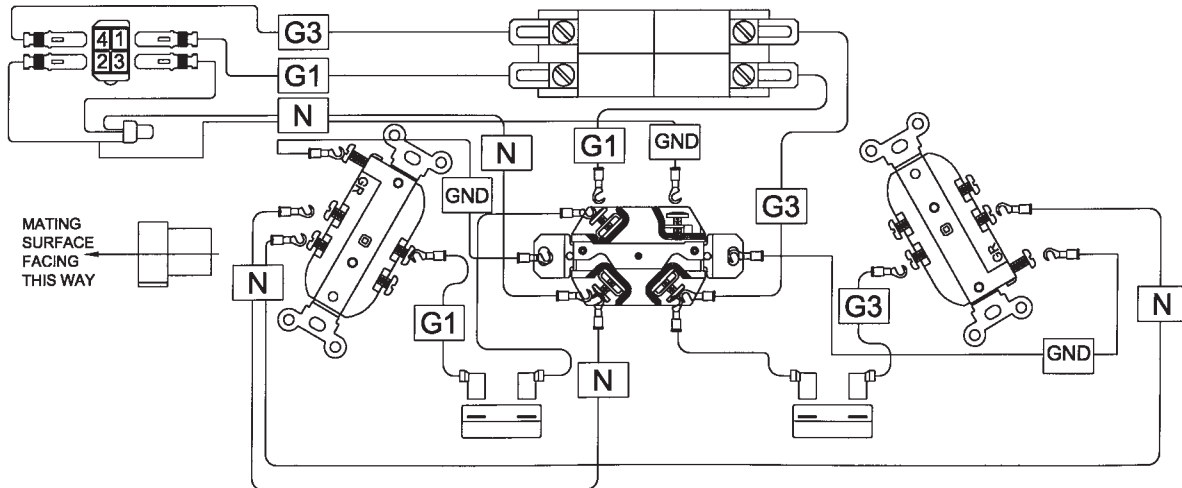
(1) Model DL6000IE only
(2) Model DL6000I only

RECEPTACLE PANEL



REF#	Part Number	QTY	Description
1	57030-009	1	Circuit Breaker 25A/240V
2	97360-000	1	Receptacle Nema L14-30P
3	50766-000	2	Duplex Receptacle Nema 5-20P
4	91286-001	2	Circuit Breaker 20A/120V
5	16346-013	1	End Cover

WIRING DIAGRAMS



24 MONTH Limited Warranty

WINCO warrants to the original purchaser that the alternator is free from defects in workmanship and material for a period of **two years***, provided it is installed, operated and maintained in accordance with **WINCO** written instructions.

***NOTE: Units used for rental, demonstrations, commercial or prime power (off grid) applications such as construction or utility, are warranted for 90 days. Units that are resold are not covered under this warranty. Any further warranty, whether expressed or implied, rests solely with the reseller.**

WINCO's sole liability, and Purchaser's sole remedy for a failure under this warranty, shall be limited to the repair of the product. At **WINCO's** option, material found to be defective in material or workmanship under normal use and service will be repaired or replaced. This warranty does not include circuit breakers, receptacles or **ENGINES**. Engines are covered exclusively by the warranties of their respective manufacturers.

THERE IS NO OTHER EXPRESS WARRANTY.

To the extent permitted by law, any and all warranties are limited to 24 months from date of purchase. The user shall determine the suitability of the product for its intended use prior to placing the unit in service. The user shall assume all risks and liability in connection with determining the suitability of the unit for its particular use. Neither the manufacturer nor the seller shall be liable for any injury, loss or damage arising out of improper use or operation of this unit. In no event is **WINCO** liable for incidental or consequential damages.

Some states do not allow limitation on the duration of implied warranty and some states do not allow the exclusion or limitation of incidental or consequential damages, so the above limitations may not apply in every instance. This warranty gives you specific legal rights which may vary state to state.

EXCLUSIONS

WINCO does not warrant Engines. Engines are covered exclusively by the warranties of their respective manufacturers, see enclosed warranties.

WINCO does not warrant Batteries, Receptacles or Other Component Parts that are warranted by their respective manufacturers.

WINCO reserves the right to change or improve its products without incurring any obligations to make such changes or improvements on products previously purchased.

WINCO does not warrant products which have been subjected to misuse, negligence, modified or altered in any way or have been involved in an accident.

For warranty service, return the product, transportation charges prepaid, to your nearest **WINCO** Authorized Service Center or to **WINCO** at Le Center Minnesota. When requesting warranty service, evidence of original purchase date must be presented.

Phone - (507) 357-6831
FAX - (507) 357-4857
www.wincogen.com

WINCO INC
A Division of **DTE** Dyna Technology Inc
225 S. Cordova Ave.
LeCenter, Mn 56057-1805