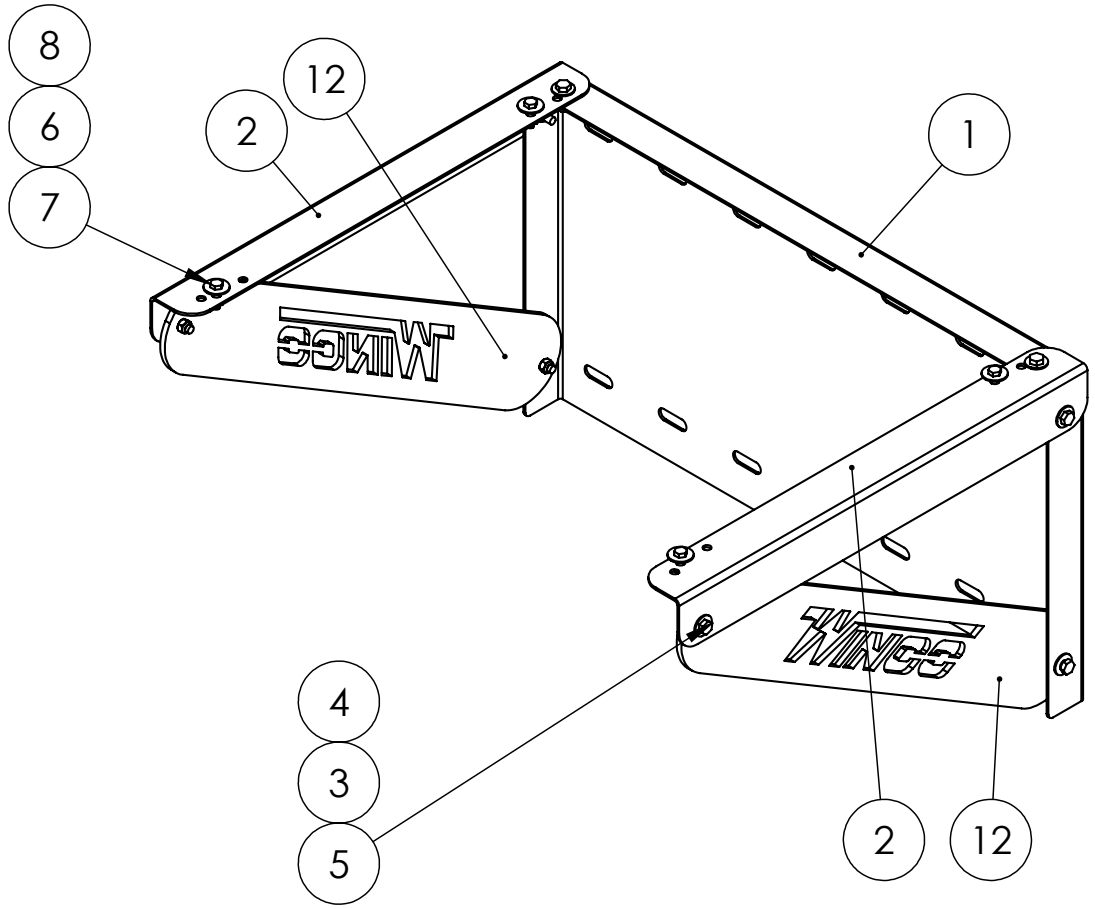


# WALL MOUNT KIT 15 GAL FUEL TANK



REF #	PART #	DESCRIPTION	QTY
1	2000-0479	VERTICAL SUPPORT	1
2	2000-0051	HORIZONTAL SUPPORT	2
3*	526-000	5/16 FLAT WASHER	8
4*	47136-000	HEX NUT .3125-18 NYLOCK	8
5*	65001-002	.3125-18 X 1 HHB SS	8
6*	267-002	FLAT WASHER 9/32 X 1 X .063	4
7*	439-000	HHB .25-20 X 1	4
8*	16248-000	.25-20 FLANGE NUT	4
10	91372-000	PARTS BAG	1
12	2000-0050	CONNECTION PLATE WITH LOGO	2

\* Items are in parts bag 91372-000

# STEP 1

- Open the parts bag and separate the components.

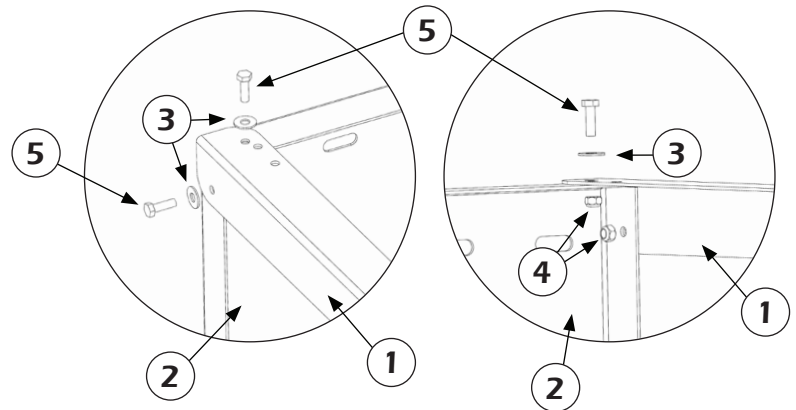
## FASTENERS

(not shown in actual size)



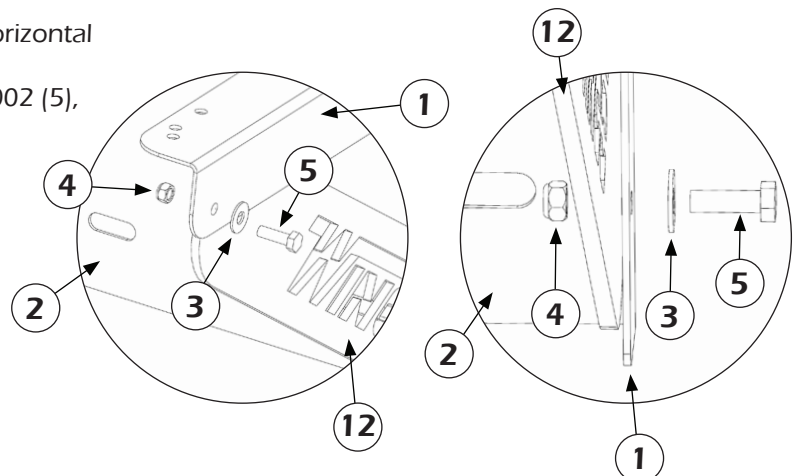
# STEP 2

- Connect the two vertical supports (1) to the horizontal support (2) using part numbers 65001-002 (5), 526-000 (3), secured with 47136-000 (4).



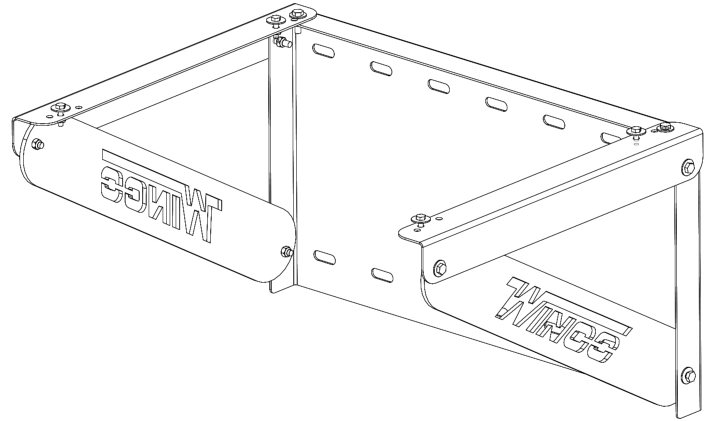
# STEP 3

- Attach the two connection plates (12) to the horizontal and vertical supports (1 & 2). Ensure the Winco logo is right-side-up. Use part numbers 65001-002 (5), 526-000 (3), secured with 47136-000 (4).



## STEP 4

- The horizontal support has pre-punched holes for ease of installation. Secure the wall mount to a sturdy structure that will be able to support 150 lbs.



## STEP 5

### Attaching the fuel tank (not included)

- The 15 Gallon fuel tank is attached to the wall mount kit using part numbers 439-000 (7), 267-002 (6), secured with 16248-000 (8). Repeat for the other corners of the fuel tank.

