

INDUSTRIAL PARTS CATALOG

1987

**318
ENGINE**

**360
ENGINE**

81-690-9704
Printed in U.S.A.

Starting Serial No.
E590000

The structure and format of this publication has been made to conform to the manner in which Chrysler supplied the basic engine to Industrial Engine accounts and to achieve a simpler and more user oriented catalog.

To improve useability, all major serviceable components are compiled in an Illustration to Text format.

The catalog includes the serviceable parts for the Engine as Shipped. Including the Distributor.

“As Shipped” Engine components are listed in columnar fashion, identified by the “As Shipped” part number which will be found on the identification plate located on the right front of the cylinder head or other suitable or accessible locations. Only serviceable parts are listed.

For service part numbers of other accessories or components, refer to the appropriate Chrysler parts list or original equipment manufacturers parts list covering your machine.

BOOK 87 - LH318 - LH360 ENGINES

AR=USE AS REQUIRED

=ORDER FROM INDUSTRIAL DIVISION

ALTERNATOR-60 AMP. LH 318 & LH 360 ENGINE	Fig. 87-800
CAMSHAFT & VALVES LH 318 & LH360 ENGINE	Fig. 87-400
CRANKSHAFT & PISTONS LH 318 & LH 360 ENGINE	Fig. 87-300
DISTRIBUTOR LH 318 & LH 360 ENGINE	Fig. 87-700
EXTERNAL COMPONENTS LH 318 & LH 360 ENGINE	Fig. 87-
EXTERNAL COMPONENTS LH 318 & LH 360 ENGINE	Fig. 87-100
MANIFOLD, INTAKE & EXHAUST LH 318 & LH 360 ENGINE	Fig. 87-200
OIL PUMP AND OIL PAN LH 318 & LH 360 ENGINE	Fig. 87-500
STARTER LH 318 & LH 360 ENGINE	Fig. 87-900
WATER PUMP AND RELATED PARTS LH 318 & LH 360 ENGINE	Fig. 87-600



Industrial Engine

Specifications

No. of Cylinders, Type	V-8, 90° OHV, 4-cycle
Bore x Stroke, In (mm)	3.91 x 3.31 (99 x 84)
Displacement, Cu In (liters)	318 (5.2)
Compression Ratio	9.2:1
Fuel	Regular-leaded or unleaded gasoline; natural gas or LPG
Carburetor	2 bbl
Ignition System	Electronic
Alternator	60 amp, 12V, neg. ground
Basic Engine Weights, Lbs (kg)	582 (264)

Options

Premium LPG Engine: High alloy exhaust valve seat inserts.

Governors: Mechanical belt-driven, constant speed or variable speed — 1200-3600 rpm. Velocity governors — 2800-3800 rpm.

Carburetor: Two-barrel downdraft automotive type with automatic choke. Natural gas or LPG carburetor can be used.

Air Cleaner: Replaceable element — dry-type.

Flywheel and Ring Gear: Flat face truck-type; flex plate for some torque converters; power take-off for use with Rockford or Twin Disc type overcenter clutches. Other attachment available.

Housing Flywheel: SAE No. 3 and SAE No. 4.

Transmissions: Automatic three-speed, manual four-speed, manual five-speed — with or without transmission parking brake.

Transfer Case: Four-wheel drive applications.

Fans: Various diameters, blades and pitches available. Hi-Fan position optional.

Auxiliary Front End Drives: Power steering pump, pulley-type power take offs, 4-sheave pulley with U-joint flange.

Note: Other options and accessories may be custom installed at the factory or packaged separately for your assembly.

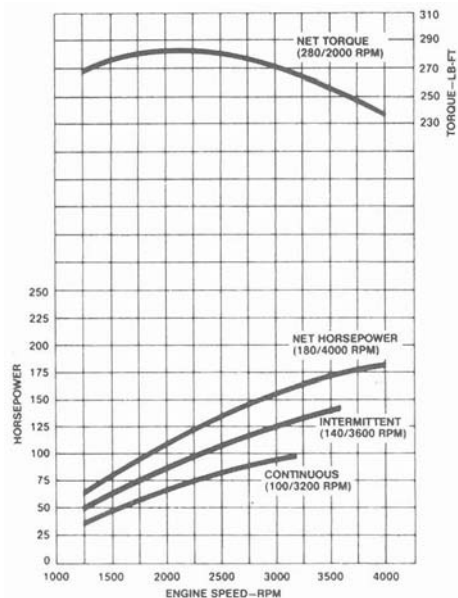
Performance

All ratings shown on chart corrected to 77°F dry air and 29.31 in. HG (sea level) barometric pressure (SAE J1349). **NET HORSEPOWER:** Rated with air cleaner, alternator — and no fan.

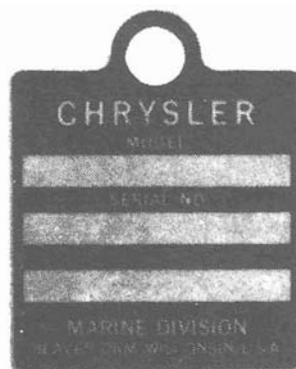
INTERMITTENT HORSEPOWER: Used for applications where engine is operated from idle to full speed and “no load” to “full load” on an intermittent basis.

CONTINUOUS HORSEPOWER: Used for applications where the engine is operated at maximum governed speed and full load for extended periods.

Although all descriptions and pictorial representations of the products herein are believed to be correct at time of publication, accuracy cannot be guaranteed. The policy of Component Business Operations, Chrysler Corporation, is one of continual improvement. Therefore, equipment, colors, materials and other specifications, model availability and prices are subject to change without notice or obligation.



ENGINE NAME PLATE



V-8 ENGINE

A metal engine name plate, containing model, type and series number (and special part number, if applicable) will be found on all Industrial Engines

When ordering parts ALWAYS include this information.

H360

Industrial Engine

Specifications

No. of Cylinders, Type	V-8, 90° OHV, 4-cycle
Bore x Stroke, In. (mm)	4.00 x 3.58 (102 x 91)
Displacement, Cu In (liters)	360 (5.9)
Compression Ratio	8.4:1
Fuel	Regular, leaded or unleaded gasoline; natural gas or LPG
Carburetor	2-bbl
Ignition System	Electronic
Alternator	60 amp, 12V, neg. ground
Basic Engine Weight, Lbs (kg)	600 (272)

Options

Premium LPG Engine: High alloy exhaust valve seat inserts; 8.5:1 compression ratio.

Governors: Mechanical belt-driven, constant speed or variable speed — 1200-3600 rpm. Velocity governors — 2800-3800 rpm.

Carburetor: Two-barrel downdraft truck type with automatic choke. Natural gas or LPG carburetor may be used.

Flywheel and Ring Gear: Flat face; flex plate for some torque converters; power take-off for use with Rockford or Twin Disc type overcenter clutches. Other attachments available.

Housing Flywheel: — SAE No. 3 and SAE No. 4.

Transmissions: Automatic three-speed, manual four-speed, manual five-speed — with or without transmission parking brake.

Transfer Case: Four-wheel drive applications.

Fans: Various diameters, blades and pitches available. Hi-Fan position available.

Auxiliary Front End Drives: Power steering pump, pulley-type power take offs, 4-sheave pulley with U-joint flange.

Note: Other options and accessories may be custom installed at the factory or packaged separately for your assembly.

Performance

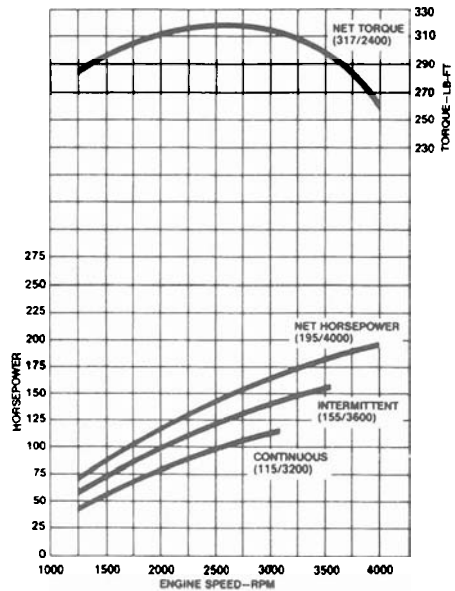
All ratings shown on chart corrected to 77°F dry air and 29.31 in. HG (sea level) barometric pressure (SAE J1349).

NET HORSEPOWER: Rated with air cleaner, alternator — and no fan.

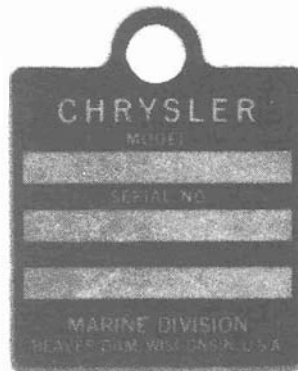
INTERMITTENT HORSEPOWER: Used for applications where engine is operated from idle to full speed and "no load" to "full load" on an intermittent basis.

CONTINUOUS HORSEPOWER: Used for applications where the engine is operated at maximum governed speed and full load for extended periods.

Although all descriptions and pictorial representations of the products herein are believed to be correct at time of publication, accuracy cannot be guaranteed. The policy of Component Business Operations, Chrysler Corporation, is one of continual improvement. Therefore, equipment, colors, materials and other specifications, model availability and prices are subject to change without notice or obligation.



ENGINE NAME PLATE



V-8 ENGINE

A metal engine name plate, containing model, type and series number (and special part number, if applicable) will be found on all Industrial Engines

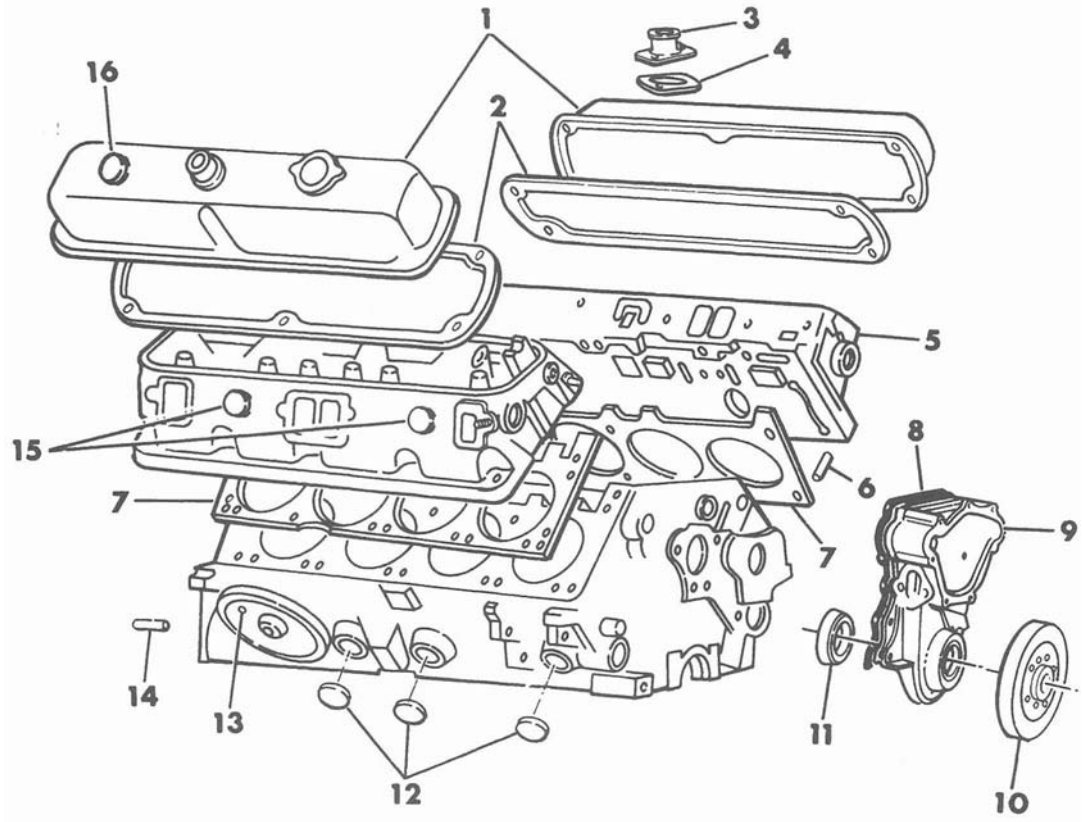
When ordering parts ALWAYS include this information.

1987 INDUSTRIAL ENGINE

LH318 - LH360 ENGINES

6887 100

EXTERNAL COMPONENTS
LH 318 & LH 360 ENGINE



	DESCRIPTION	LH 318	LH 360
EXTERNAL COMPONENTS			
LH 318 & LH 360 ENGINE			
	GASKET SET, Engine Upper	1	4049 264
	Consists of:		
	Gasket, Cylinder Head		
	Gasket, Cylinder Head Cover		
	Gasket, Exhaust Pipe Flange		
	Seal, Exhaust Valve Stem Oil		
	Seal, Intake Valve Stem Oil		
	GASKET SET, Engine Lower	1	3837 644
	Consists of:		
	Gasket, Chain Case Cover		
	Gasket, Cylinder Water Outlet		
	Gasket, Water Pump Body		
	Gasket, Fuel Pump Flange		
	Gasket, Ignition Distributor		
	Seal, Crankshaft Front Oil		
	O-Ring, Ignition Distributor Housing		
	Gasket, Oil Pan End		
1	COVER, Cylinder Head Right	1	4071 035
	Left	1	4006 302
	SCREW, Cylinder Head Cover	10	6031 688
2	GASKET, Cylinder Head Cover	2	4273 129
3	CONNECTOR, Cylinder Water Outlet	1	4100 490
4	GASKET, Cylinder Head Cover	1	3640 339
5	HEAD, Cylinder Except LPG	2	4323 423
	HEAD, Cylinder LPG	2	4382 056
	BOLT, Cylinder Head 1/2 x 1.875"	10	6031 045
	1/2 x 3.625"	8	6031 101
	1/2 x 4.625"	2	2463 260
6	DOWEL, Cylinder Block to Head	4	141 215
7	GASKET, Cylinder Head	2	4186 348
8	GASKET, Chain Case Cover	1	2129 012
9	COVER, Chain Case	1	3769 964
	SCREW, Chain Case Cover	2	181 112
	180 122	1	180 122
10	DAMPER, Vibration (M/Trans.)	1	4173 443
	LH 360 (A/Trans.)	1	4173 447
11	SEAL, Crankshaft Front Oil	1	3830 109
12	PLUG, Cylinder Block Core Hole 1.625" Dia.	9	5203 342
	1.250" Dia.	1	5203 341
	1.695" Dia. (.065" O/S)	AR	5203 344
13	PLUG, Cylinder Block Oil Line	1	3462 871
14	DOWEL, Cylinder Block to Clutch or Torque Converter Housing	2	1122 532
	.007" Offset	AR	1736 347
	.014" Offset	AR	1736 348
	.021" Offset	AR	1736 353
15	PLUG, Cylinder Head Core Hole 1.250" Dia.	4	5203 341
16	PLUG, Cylinder Head Cover	1	3640 339
	NOTE: The Following Items Are Not Shown		
	GROMMET, Crankcase Vent Inlet Air Cleaner	1	2946 079
	GROMMET, Vent Valve	1	3751 510
	VALVE, Crankcase Vent	1	3671 076
	CAP, Cyl. Head Cover Oil Fill	1	2946 051

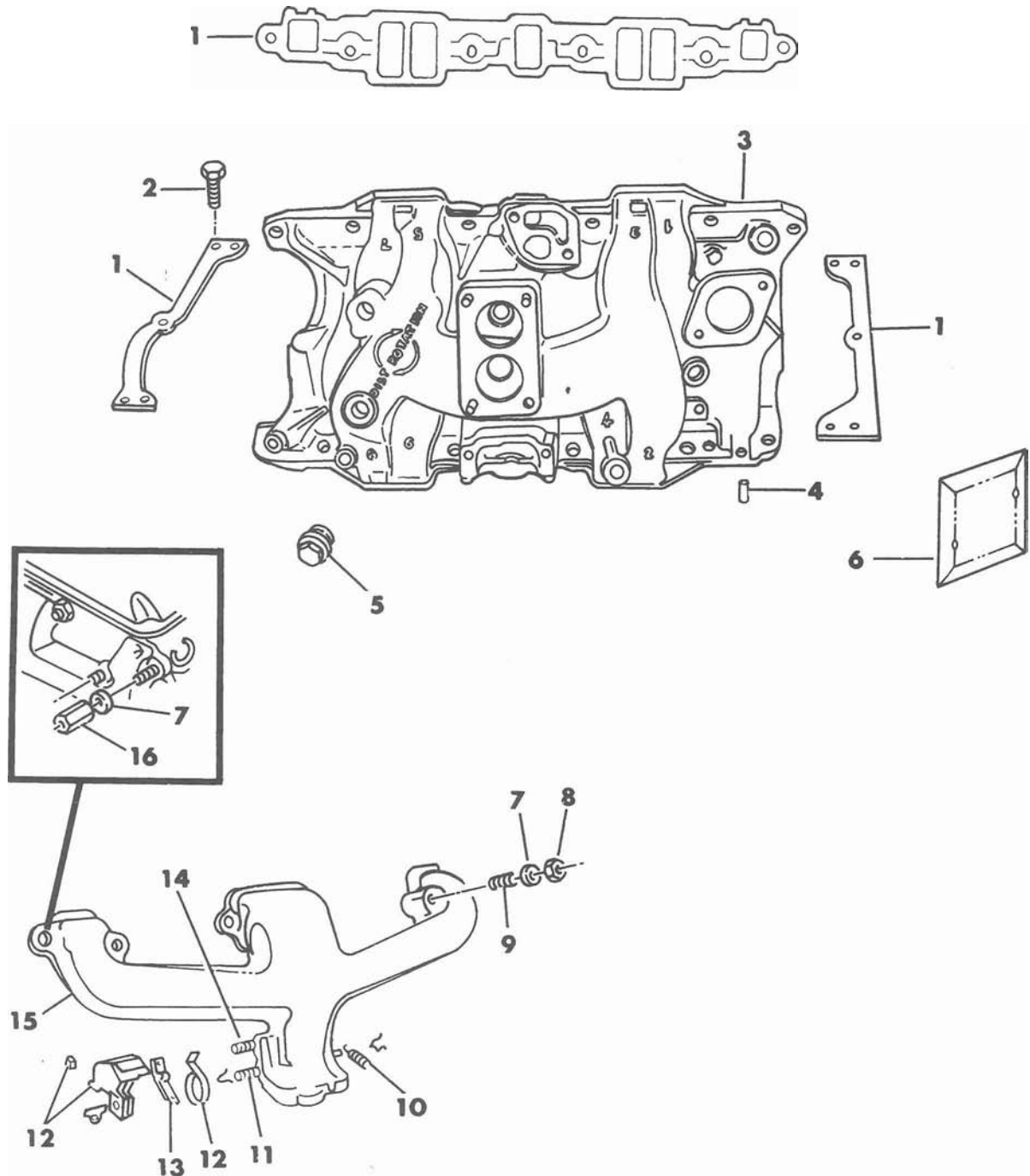
1987 INDUSTRIAL ENGINE

LH318 - LH360 ENGINES

DESCRIPTION	LH 318	LH 360	
EXTERNAL COMPONENTS LH 318 & LH 360 ENGINE			
THERMOSTAT, 195 Deg.	1	4131 240	4131 240
SWITCH, Low Oil Pressure	1	4186 352	4186 352
SENDING UNIT, Temp.	1	4051 140	4051 140

MANIFOLD, INTAKE & EXHAUST LH 318 & LH 360 ENGINE

6887 200

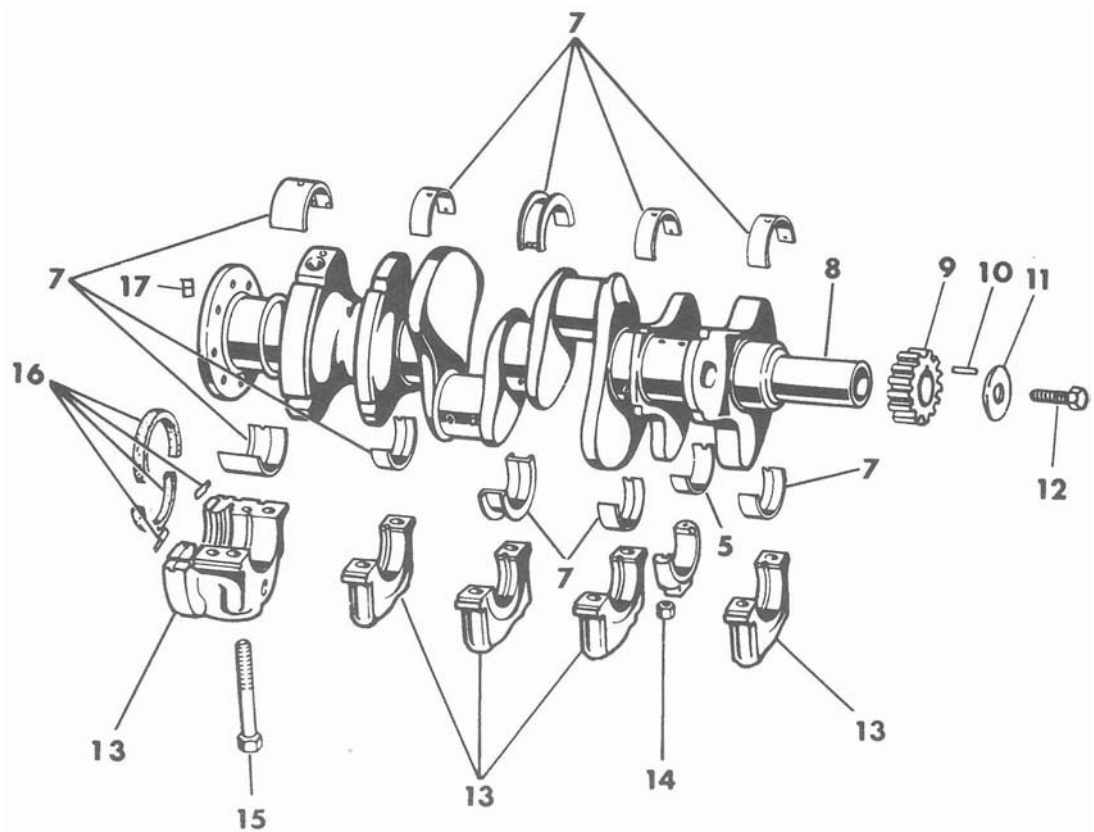
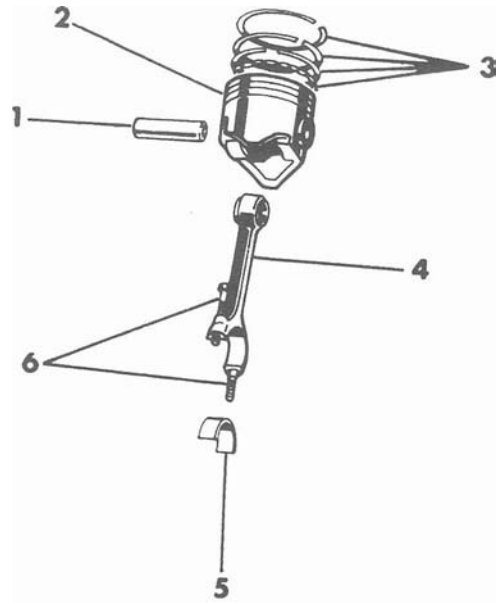


1987 INDUSTRIAL ENGINE

DESCRIPTION		LH318	LH360
MANIFOLD, INTAKE & EXHAUST LH 318 & LH 360 ENGINE			
1	GASKET SET, Intake Manifold	1	
	Open Crossover Port	1	3837 605
	Closed Crossover Port LPG	1	2806 938
	2 Bbl. LPG	1	2806 938
	2 Bbl. Except LPG	1	3837 605
	4 Bbl. Except LPG	1	3514 187
	GASKET, Intake Manifold Front	1	4343 735
	Rear	1	4343 736
2	BOLT, Intake Manifold 3/8 x 1.625"	11	454 467
3	MANIFOLD, Intake	1	4201 135
	2 Bbl. -1/4 Duplex	1	4201 135
	2 Bbl. 1/2 Duplex	1	5203 786
	4 Bbl.	1	4323 354
4	DOWEL, Intake Manifold Gasket	2	4006 583
5	PLUG, Intake Manifold (3/8"-18)	AR	1859 127
6	SHIELD, Intake Manifold Heat	1	3698 458
7	WASHER, Exhaust Manifold	4	2121 223
8	NUT, Exhaust Manifold	4	120 368
9	STUD, Exhaust Manifold End	4	6030 662
	SCREW, Exhaust Manifold	4	6031 857
	Long (5/16x2-1/8-Hex)	4	181 097
10	SPRING, Heat Control Valve Shaft Damper	1	2951 626
11	PIN, Heat Control Valve Damper	1	2951 626
12	VALVE, Heat Control Package	1	3683 947
13	STOP, Heat Control Valve	1	2946 083
14	PIN, Heat Control Valve Stop	1	9409 667
15	MANIFOLD, Exhaust		
	Right, w/o Heat Riser	1	3879 720
	Right, w/Heat Riser	1	3879 721
	Left	1	3879 720
	Right	1	3879 720
	Left	1	4379 720

CRANKSHAFT & PISTONS LH 318 & LH 360 ENGINE

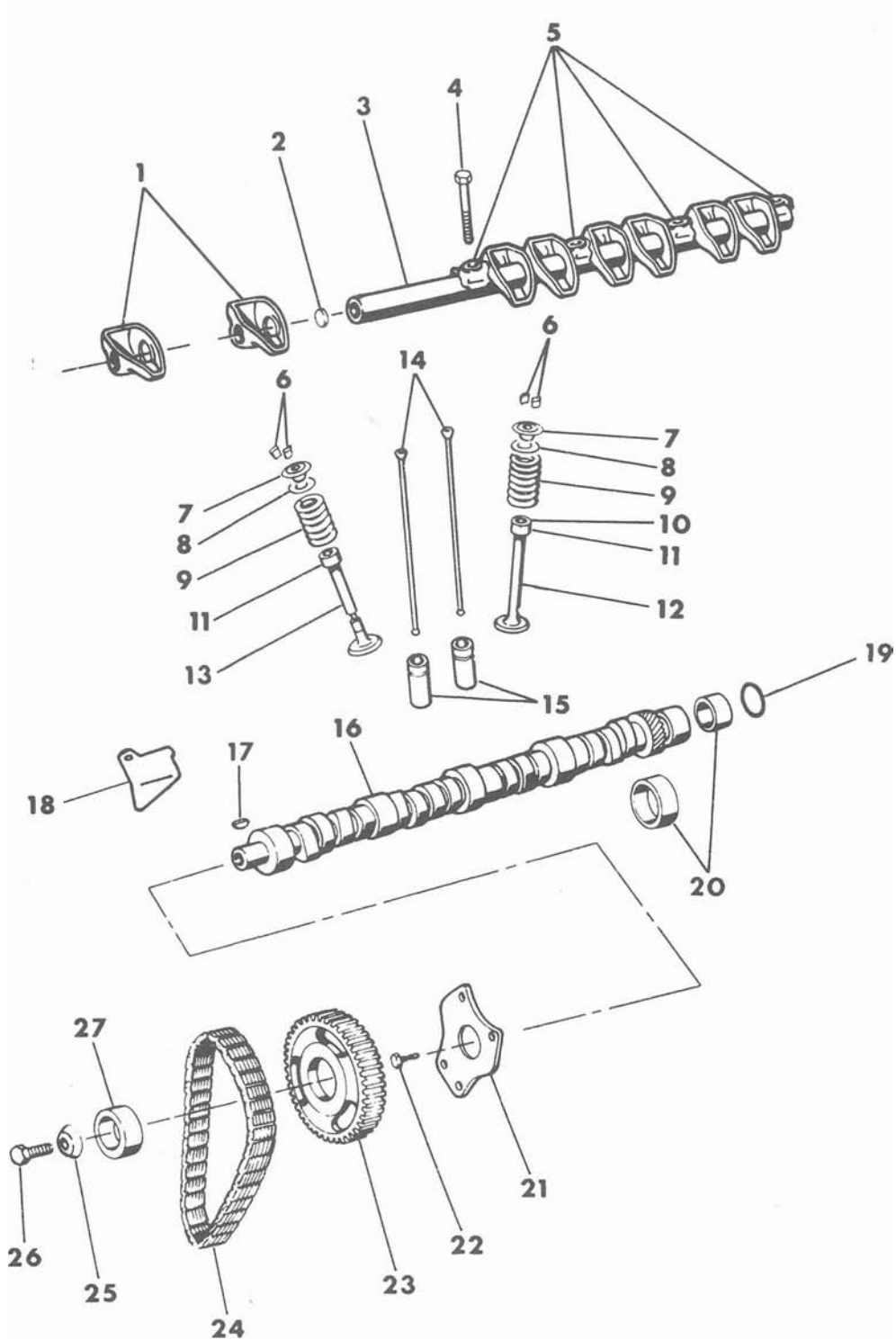
6887 300



1	DESCRIPTION	LH 318	LH 360
CRANKSHAFT & PISTONS			
LH 318 & LH 360 ENGINE			
	PIN, Piston - Standard	8	2658 878
	.003" O/S	8	2658 879
	.008" O/S	8	2658 880
2	PISTON & PIN, Standard	8	4342 772
	.020" O/S	8	4342 773
3	RING SET, Piston - Standard to .009" O/S	8	3780 004
	.020 to .029" O/S	8	3780 005
	.040 to .049 O/S	8	3780 018
	RING SET, Engine - Standard to .009" O/S	1	2808 550
	.020 to .029" O/S	1	2808 551
	.40 to .049 O/S		3579 046
4	ROD, Connecting	8	3751 015
5	BEARING, Connecting Rod - Standard	8	4186 118
	.001" U/S	8	4186 119
	.002" U/S	8	4186 120
	.003" U/S	8	4186 121
	.010" U/S	8	4186 122
	.012" U/S	8	4186 123
6	BOLT, Connecting Rod Bearing Cap	16	4273 344
7	BEARING, Crankshaft #1,2,4 - Standard	3	4186 194
	.001" U/S	3	4186 195
	.002" U/S	3	4186 196
	.003" U/S	3	4186 197
	.010" U/S	3	4186 198
	.012" U/S	3	4186 199
	BEARING, Crankshaft #3 - Standard	1	3780 075
	.001" U/S	1	3780 076
	.002" U/S	1	3780 077
	.003" U/S	1	3780 078
	.010" U/S	1	3780 079
	.012" U/S	1	3780 080
	BEARING, Crankshaft #5 - Standard	1	3514 151
	.001" U/S	1	3514 152
	.002" U/S	1	3514 153
	.003" U/S	1	3514 154
	.010" U/S	1	3514 155
	.012" U/S	1	3514 156
8	CRANKSHAFT	1	3751 831
9	SPROCKET, Crankshaft Timing Chain w/Double Roller Timing Chain	1	2463 385
		1	1637 657
10	KEY, Crankshaft Sprocket	1	6029 411
11	WASHER, Crankshaft Screw	1	1855 561
12	SCREW, Crankshaft	1	1821 414
13	CAP, Crankshaft Bearing #1,2,4	3	3614 232
	#1	1	4323 809
	#2	1	4323 810
	#3	1	4323 811
	#4	1	4323 812
	#5	1	4323 813
14	NUT, Connecting Rod Bearing Cap Bolt	16	6032 296
15	SCREW, Crankshaft Bearing Cap	10	6027 264
16	OIL SEAL PACKAGE, Crankshaft	1	4397 712
	OIL SEAL, Crankshaft Rear Bearing Package	1	4240 044

6887 400

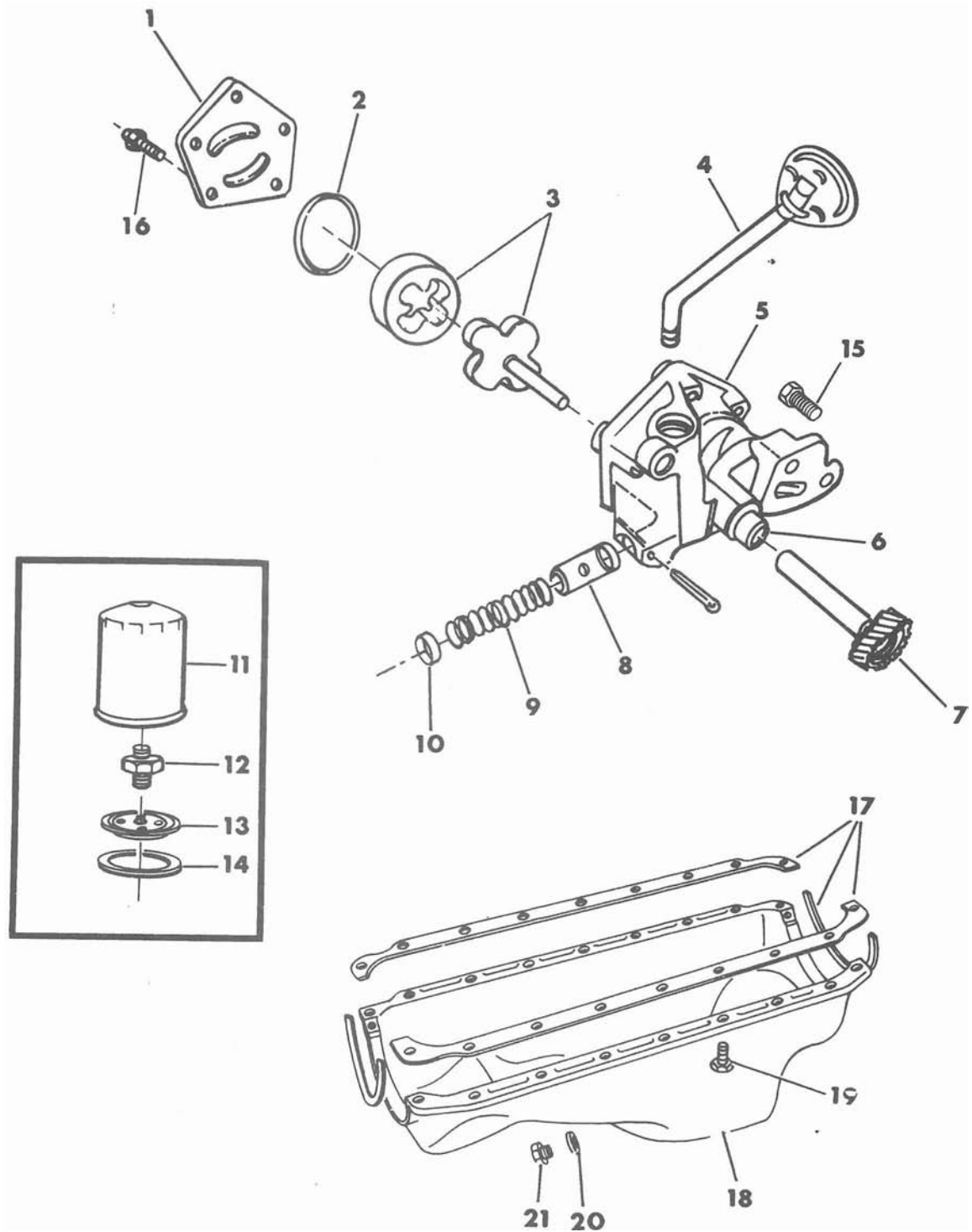
CAMSHAFT & VALVES LH 318 & LH360 ENGINE



1	DESCRIPTION		LH 318	LH 360
CAMSHAFT & VALVES				
LH 318 & LH360 ENGINE				
	ROCKER, Valve Right	8	3418 425	3418 425
	Left	8	3418 424	3418 424
2	PLUG, Valve Rocker Shaft	4	1324 268	1324 268
3	SHAFT, Valve Rocker	2	2532 149	2532 149
4	SCREW, Valve Rocker Shaft Retainer	10	181 096	181 096
5	RETAINER, Valve Rocker Shaft End & Center	6	2463 322	2463 322
	Intermediate	4	2463 323	2463 323
6	LOCK, Valve Spring Retainer - Intake	16	381 875	381 875
	Exhaust (w/2 Grooves) w/Rotators	16	381 875	381 875
	Exhaust (w/4 Grooves) w/o Rotators	16	1614 666	1614 666
7	RETAINER, Intake & Exhaust Valve Spring	AR	2402 045	2402 045
	ROTATOR, Exhaust Valve Spring	8	3751 659	3751 659
8	SPACER, Valve Spring	AR	1859 144	1859 144
9	SPRING, Intake & Exhaust Valve	AR	1739 534	1739 534
	Exhaust Valve w/Rotators	8	3751 091	3751 091
	SPRING, Valve and Damper Exhaust	8	4100 687	4100 687
10	SEAL, Intake Valve Stem Oil	8	4095 543	4095 543
11	SEAL, Exhaust Valve Stem Oil	8	4071 006	4071 006
12	VALVE, Intake - Standard	8	2465 335	3683 801
	.005" O/S	8	2465 336	3683 802
	.015" O/S	8	2465 337	3683 803
	.030" O/S	8	2465 338	3683 804
13	VALVE, Exhaust (w/2 Groove) w/Rotators - Standard	8	4100 367	4100 382
	.005" O/S	8	4100 368	4100 383
	.015" O/S	8	4100 369	4100 384
	.030" O/S	8	4100 370	4100 385
	(w/4 Groove) w/o Rotators - Standard	8	4100 387	4100 387
	.005" O/S	8	4100 388	4100 388
	.015" O/S	8	4100 389	4100 389
	.030" O/S	8	4100 390	4100 390
14	PUSHROD, Valve	16	4095 291	4095 291
15	TAPPET, Valve - Standard	16	4049 338	4049 338
	.001" O/S	16	4049 339	4049 339
	.008" O/S	16	4049 340	4049 340
	.030" O/S	16	4049 341	4049 341
16	CAMSHAFT	1	4227 879	5214 658
17	KEY, Camshaft Sprocket	1	106 751	106 751
18	TAB, Timing Chain Oil	1	3671 649	3671 649
19	PLUG, Camshaft Rear Bearing	1	1821 722	1821 722
20	BEARING, Camshaft # 1	1	3830 603	3830 603
	# 2	1	4179 776	4179 776
	# 3	1	4179 777	4179 777
	# 4	1	4179 778	4179 778
	# 5	1	1632 526	1632 526
21	PLATE, Camshaft Sprocket Thrust	1	1618 670	1618 670
22	SCREW, Camshaft Sprocket Thrust Plate	3	191 674	191 674
23	SPROCKET, Camshaft Timing Chain	1	2843 610	2843 610
	w/Double Roller Timing Chain	1	2899 556	2899 556
24	CHAIN, Timing	1	3514 182	3514 182
	w/Double Roller Timing Chain	1	1327 319	1327 319
25	WASHER, Camshaft Sprocket Retainer Screw	1	1618 732	1618 732
26	SCREW & WASHER, Camshaft Sprocket Retainer	1	6024 027	6024 027
27	ECCENTRIC, Camshaft Fuel Pump	1	2843 661	2843 661

OIL PUMP AND OIL PAN
LH 318 & LH 360 ENGINE

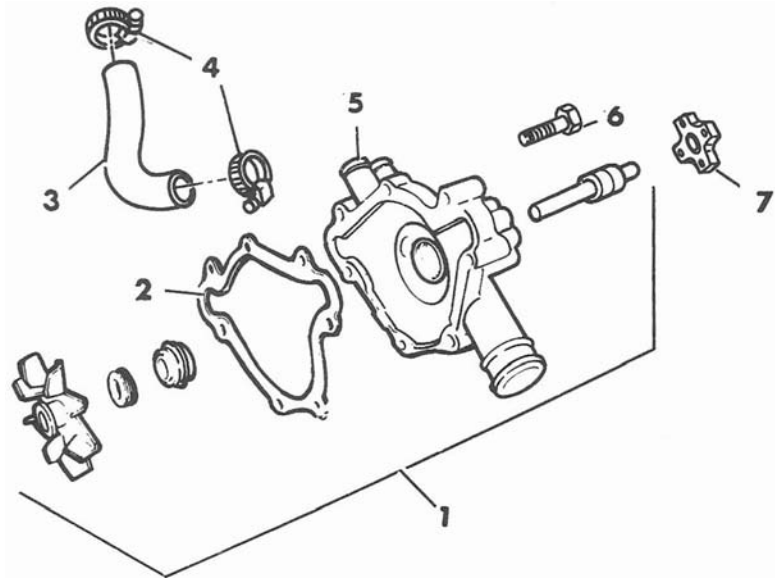
6887 500



ITEM	PART NUMBER	QTY	BODY	MODEL	DESCRIPTION
OIL PUMP AND OIL PAN LH 318 & LH 360 ENGINE					
1	# 4071 043	1			COVER, Oil Pump
2	2268 921	1			GASKET, Oil Pump Cover
3	3837 648	1			DRIVE SHAFT and ROTOR PACKAGE
4					STRAINER, Oil Pump Suction Pipe
	2206 200	1			w/Front Sump Oil Pump
	3462 337	1			w/Rear Sump Oil Pan
5	2806 270	1			PUMP, Oil
6	2863 584	1			BUSHING, Oil Pump and Distributor Drive Shaft
7	4095 260	1			SHAFT, Oil Pump Distributor Drive
8	2843 208	1			PLUNGER, Oil Pressure Relief Valve
9	2402 473	1			SPRING, Oil Pressure Relief Valve
10	2806 273	1			CAP, Oil Pressure Relief Valve Plunger
11 #	4417 561	1			FILTER, Oil
12	3671 602	1			ADAPTER, Oil Filter To Cyl. Block
13	2402 103	1			PLATE, Oil Filter Adapter
14	3671 314	1			GASKET, Oil Filter Adapter Plate
15					SCREW, Oil Pump Attaching
		2			3/8 x 1-3/8 Not Serviced
16	220 385	5			SCREW, Oil Pump Cover
17					GASKET PACKAGE, Oil Pan
	4240 153	1			LH 318
	3549 388	1			LH 360
18					PAN OIL
	3418 457	1			w/Front Sump LH 318
#	4095 055	1			w/Front Sump LH 360
	4387 606	1			w/Rear Sump LH 318
	3577 803	1			w/Rear Sump LH 360
19					SCREW, Oil Pan
	6025 926	4			5/16 x 1
	6031 413	14			5/16 x 1-3/16
20	6032 145	1			GASKET, Drain Plug
21	4271 941	1			PLUG, Drain
					NOTE: The Following Items Are Not Illustrated
					TUBE, Oil Level Indicator
	3496 959	1			Rear Sump
	4027 249	1			Front Sump 12.15" Long
	1859 788	1			Front Sump Dust Proof
					INDICATOR, Oil Level
	3496 960	1			Rear Sump
	4027 091	1			Front Sump 19.78" Long
	2846 633	1			Front Sump Dust Proof

WATER PUMP AND RELATED PARTS
LH 318 & LH 360 ENGINE

6887 600

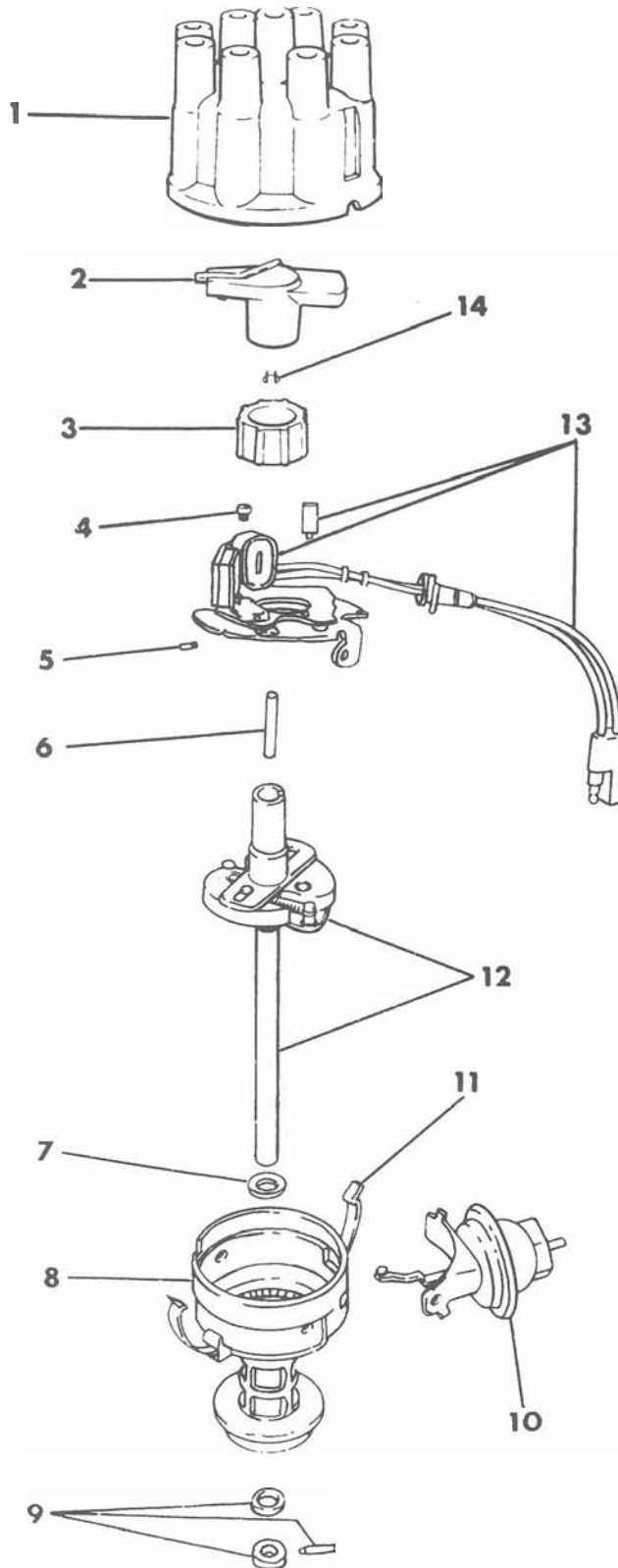


1987 INDUSTRIAL ENGINE

ITEM	PART NUMBER	QTY	BODY	MODEL	DESCRIPTION
WATER PUMP AND RELATED PARTS LH 318 & LH 360 ENGINE					
1					PUMP, Water
	3004 866	1			Cast Iron
	3837 641	1			Aluminum
2	2129 013	1			GASKET, Water Pump Body
3	4095 227	1			HOSE, Water Pump By-Pass
4	3683 824	2			CLAMP, Water Pump By-Pass Hose
5	2402 903	1			NIPPLE, Water Pump By-Pass
6					SCREW, Water Pump
	6027 880	1			3/8 x 2.00
	9420 892	2			3/8 x 2 3/4
	6031 761	2			3/8 x 6 1/4
	6028 166	2			3/8 x 5 1/4
7	3671 525	1			HUB, Fan Pulley

6887 700

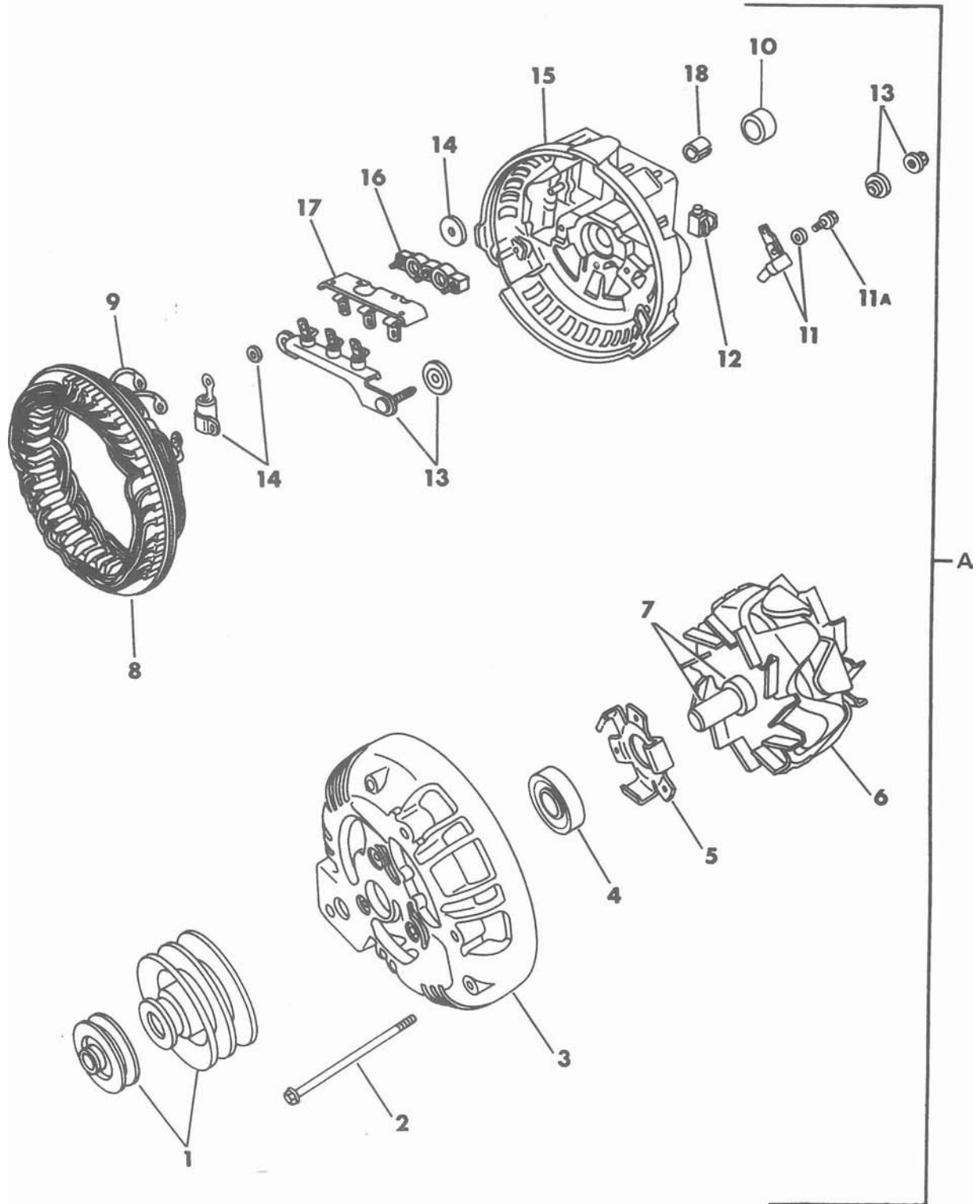
DISTRIBUTOR LH 318 & LH 360 ENGINE



ITEM	PART NUMBER	QTY	BODY	MODEL	DESCRIPTION
DISTRIBUTOR					
LH 318 & LH 360 ENGINE					
					DISTRIBUTOR
	4111 502	1			LH 318 Except LPG Less Cap and Rotor
	4111 955	1			LH 360 Except LPG Less Cap and Rotor
#	4289 402	1			LH 318 & LH 360 LPG Less Cap and Rotor
1	4111 640				CAP, Dist.
2	3874 401	1			ROTOR, Dist.
3	3656 017	1			RELUCTOR, Dist
4	6026 763	1			SCREW
5					PIN
	9417 599	1			Except LPG
#	9414 300	1			LPG
6	9414 521	1			PIN, Except LPG
7					SEAL, Dist.
	2875 028	1			Except LPG
#	1838 502	1			LPG
8					HOUSING, w/Bearing
	3755 261	1			Except LPG
					LPG Serviced In Assembly
9	2932 988	1			COLLAR and PIN PACKAGE
10					CONTROL, Vacuum
	3755 474	1			Except LPG
	3755 073	1			LPG
11	1838 508	1			SPRING, Dist. Cap
12					SHAFT and GOVERNOR
					Except LPG
#	4289 011	1			LPG
13					PICK-UP and PLATE
	3656 738	1			Except LPG
	4145 210	1			LPG
14	1879 607	1			RING, Dist.
					NOTE: The Following Items Are Not Illustrated
	1947 612	1			CLAMP, Distributor
	2875 923				O-RING, Distributor
	2642 988	1			SPACER, Dist. Reluctor Sleeve Except LPG
	4240 434	1			CABLE SET, Spark Plug
	5213 367	1			CABLE, Coil
	3874 318	8			PLUG, Spark RN11Y

ALTERNATOR-60 AMP.
LH 318 & LH 360 ENGINE

6887 800



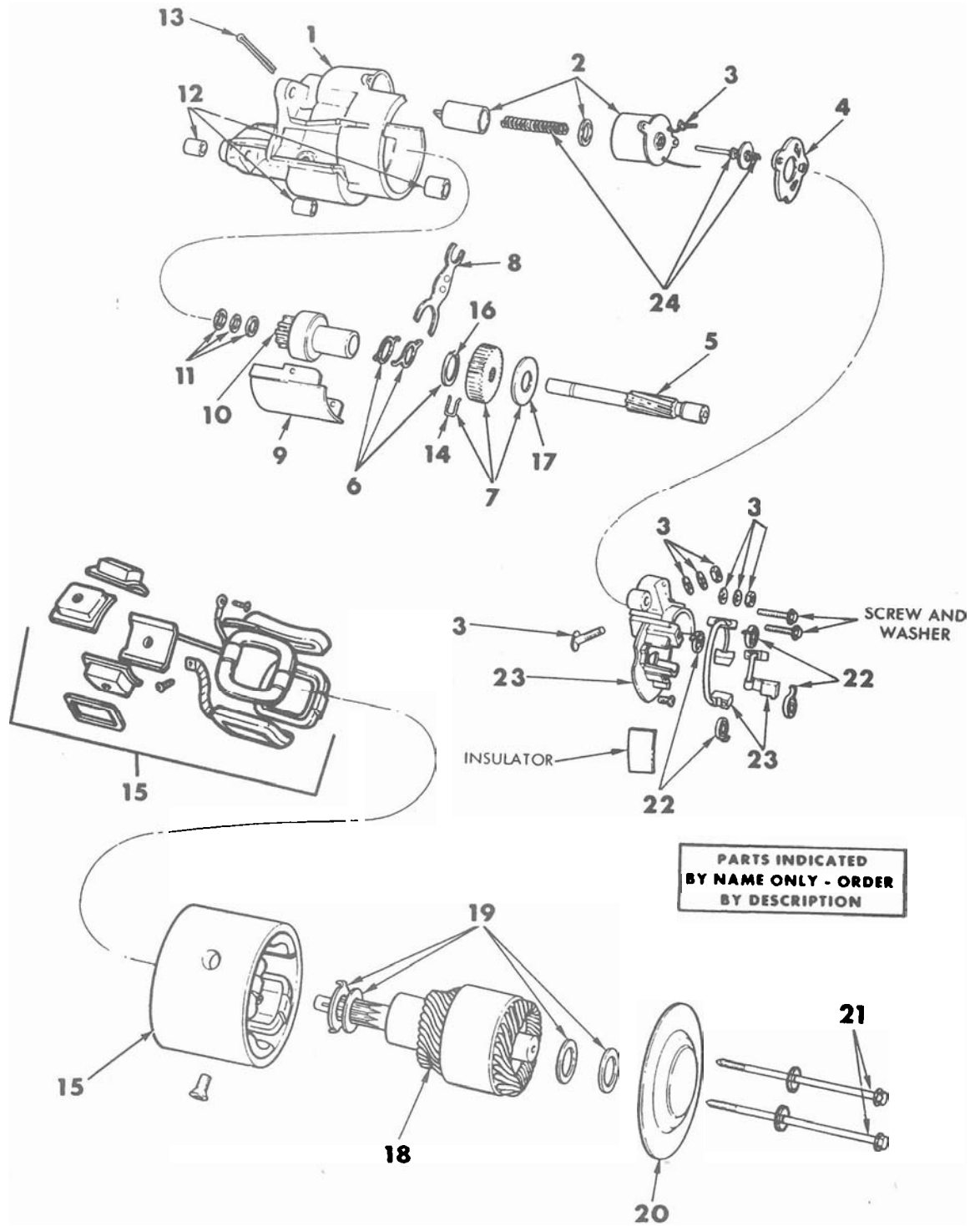
1987 INDUSTRIAL ENGINE

ITEM	IPART NUMBER	QTY	BODY	MODEL	DESCRIPTION
ALTERNATOR-60 AMP. LH 318 & LH 360 ENGINE					
ALTERNATOR					
	4091 565	1			Complete Service # 2.5 S/G 3/8
	4091 572	1			Complete Service # 3.0 D/G 1/2"
1					PULLEY
#	2444 478	1			2.5" S.G. 3/8 Belt
	2098 278	1			3" D.G. 1/2" Belt Groove
2	3656 470	3			SCREW, Alternator Frame
3	4091 534	1			SHIELD, Alternator Drive End
4	3656 444	1			BEARING, Alternator Drive End
5	2095 012	1			PLATE
6	4240 413	1			ROTOR, Alternator
7	3744 889	1			RETAINER
8	4091 515	1			STATOR
9	3438 709	3			TERMINAL
10	3755 184	1			BEARING, Rec. End Shield
11	4094 027	1			BRUSH and WASHER PACKAGE
12	3438 159	1			HOLDER, Brush Radial
13	3620 794	1			TERMINAL PACKAGE
14	3620 793	1			CAPACITOR STUD INSULATOR PACKAGE
15	5213 706	1			SHIELD, w/4176004 & 4289689
16	3438 729	1			INSULATOR, Term. Stud
17	3755 114	1			HEAT SINK, Alt. Neg.
	4026 082	1			HEAT SINK, Alternator Positive
18	2095 052				INSERT, Alt. Rec. End.

STARTER

LH 318 & LH 360 ENGINE

6887 900



1987 INDUSTRIAL ENGINE

			MHA7015	
	DESCRIPTION	3755900	3755990	

STARTER LH 318 & LH 360 ENGINE

1	HOUSING, Pinion Gear	1	3755 261	3837 992
2	SOLENOID PACKAGE	1	3837 337	3837 989
	CONNECTOR, Switch To Motor	1		3837 987
	SCREW and WASHER, Solenoid To Brush Plate	2	6027 772	
	NUT and WASHER, Solenoid To Gear Housing	2	6023 202	
3	STUD and WASHER PACKAGE, Solenoid	1	3579 193	3837 990
4	SEAL, Solenoid Contact	1	3875 558	
5	SHAFT, Pinion	1	2095 118	
	RING PINION RETAINING	1	6022 006	
6	ACTUATOR and RETAINING RING PACKAGE	1	2275 556	
7	GEAR and SNAP RING PACKAGE, Pinion Shaft	1	2275 557	
8	FORK and PIN PACKAGE, Shifting Use w/2444658			
	Clutch	1	3620 733	
9	COVER, Gear Housing	1	2095 116	
10	CLUTCH	1	2444 658	3837 986
11	WASHER and RETAINING RING PACKAGE, Pinion			
	Shaft Thrust	1	2275 558	
12	BEARING, Pinion Housing	2	3656 382	1138 526
	Intermediate	1		1138 526
	Bronze	1		1752 378
	Bearing	1	3656 383	
13	PIN, Shifting Fork Pivot	1	2095 133	
14	RING, Pinion Shaft Gear Retainer Snap	1	2095 117	
15	FRAME, w/Field	1	3656 558	3837 988
16	RING, Clutch Actuator Retainer	1	2095 130	
17	WASHER, Pinion Shaft Friction	1	2095 114	
18	ARMATURE	1	3837 325	3837 985
19	WASHER PACKAGE, Armature Thrust	1	3837 340	2808 937
20	HEAD, End	1	2095 076	2084 662
21	SCREW, Frame	2	3656 540	2809 144
22	SPRING PACKAGE, Brush	1	2084 666	2084 666
23	PLATE and BRUSH PACKAGE, Brush Holder	1	3838 097	2525 255
	Brush Package	1		2084 661
24	CONTACT and SPRING PACKAGE, Solenoid Switch	1	2932 814	
	Brush Package	1		2084 661

1987 INDUSTRIAL ENGINE

PART NUMBER	REF.	PART NUMBER	REF.	PART NUMBER	REF.	PART NUMBER	REF.	PART NUMBER	REF.
53 298	87-300/17	2402 045	87-400/7	3514 151	87-300/7	3780 017	87-300/3	4049 340	87-400/15
106 751	87-400/17	2402 103	87-500/13	3514 152	87-300/7	3780 018	87-300/3	4049 341	87-400/15
120 368	87-200/8	2402 473	87-500/9	3514 153	87-300/7	3780 075	87-300/7	4051 140	87-100/16
141 215	87-100/6	2402 903	87-600/5	3514 154	87-300/7	3780 076	87-300/7	4071 006	87-400/11
180 122	87-100/9	2421 305	87-300/5	3514 155	87-300/7	3780 077	87-300/7	4071 035	87-100/1
181 096	87-400/4	2421 306	87-300/5	3514 156	87-300/7	3780 078	87-300/7	#4071 043	87-500/1
181 097	87-200/9	2421 307	87-300/5	3514 182	87-400/24	3780 079	87-300/7	4091 515	87-800/8
181 112	87-100/9	2421 308	87-300/5	3514 187	87-200/1	3780 080	87-300/7	4091 534	87-800/3
191 674	87-400/22	2421 309	87-300/5	3549 388	87-500/17	3780 094	87-300/7	4091 572	87-800
220 385	87-500/16	2421 310	87-300/5	3577 803	87-500/#	3780 095	87-300/7	4094 027	87-800/11
381 875	87-400/6	2444 658	87-900/10	3579 044	87-300/3	3780 096	87-300/7	4095 019	87-300/8
454 467	87-200/2	2463 260	87-100/5	3579 045	87-300/3	3780 097	87-300/7	4095 055	87-500/#
1122 532	87-100/14	2463 322	87-400/5	3579 046	87-300/3	3780 098	87-300/7	4095 227	87-600/3
1138 526	87-900/12	2463 323	87-400/5	3579 193	87-900/3	3780 099	87-300/7	4095 260	87-500/7
1324 268	87-400/2	2463 385	87-300/9	3614 232	87-300/13	3780 100	87-300/7	4095 291	87-400/14
1327 319	87-400/24	2465 335	87-400/12	3614 233	87-300/13	3780 101	87-300/7	4095 543	87-400/10
1614 666	87-400/6	2465 336	87-400/12	3614 234	87-300/13	3780 102	87-300/7	4100 367	87-400/13
1618 670	87-400/21	2465 337	87-400/12	3620 733	87-900/8	3780 103	87-300/7	4100 368	87-400/13
1618 732	87-400/25	2465 338	87-400/12	3620 793	87-800/14	3780 104	87-300/7	4100 369	87-400/13
1632 526	87-400/20	2525 255	87-900/23	3620 794	87-800/13	3780 105	87-300/7	4100 370	87-400/13
1637 657	87-300/9	2532 149	87-400/3	3640 339	87-100/4	3830 109	87-100/11	4100 382	87-400/13
1736 347	87-100/14	2642 988	87-700/14		87-100/16	3830 603	87-400/20	4100 383	87-400/13
1736 348	87-100/14	2658 878	87-300	3656 017	87-700/3	3837 325	87-900/18	4100 384	87-400/13
1736 353	87-100/14	2658 879	87-300	3656 382	87-900/12	3837 337	87-900/2	4100 385	87-400/13
1739 534	87-400/9	2658 880	87-300	3656 383	87-900/12	3837 340	87-900/19	4100 387	87-400/13
1752 378	87-900/12	2806 270	87-500/5	3656 444	87-800/4	3837 605	87-200/1	4100 388	87-400/13
1821 414	87-300/12	2806 273	87-500/10	3656 470	87-800/2	3837 641	87-600/1	4100 389	87-400/13
1821 722	87-400/19	2806 938	87-200/1	3656 540	87-900/21	3837 644	87-100/4	4100 390	87-400/13
1838 502	87-700/#	2808 550	87-300/3	3656 558	87-900/15	3837 648	87-500/3	4100 490	87-100/3
1838 508	87-700/11	2808 551	87-300/3	3656 738	87-700/13	3837 985	87-900/18	4100 687	87-400/9
1855 561	87-300/11	2808 937	87-900/19	3671 076	87-100/16	3837 986	87-900/10	4111 502	87-700
1859 127	87-200/5	2809 144	87-900/21	3671 314	87-500/14	3837 987	87-900/2	4111 640	87-700/1
1859 144	87-400/8	2843 208	87-500/8	3671 525	87-600/7	3837 988	87-900/15	4111 768	87-800/1
1859 788	87-500/21	2843 610	87-400/23	3671 602	87-500/12	3837 989	87-900/2	4111 955	87-700
1879 607	87-700/14	2843 661	87-400/27	3671 649	87-400/18	3837 990	87-900/3	4131 240	87-100/16
1947 612	87-700/14	2846 633	87-500/21	3683 801	87-400/12	3837 992	87-900/1	4145 210	87-700/13
2084 661	87-900/23	2863 584	87-500/6	3683 802	87-400/12	3838 097	87-900/23	4173 443	87-100/10
	87-900/24	2875 028	87-700/7	3683 803	87-400/12	3874 401	87-700/2	4173 445	87-100/10
2084 662	87-900/20	2875 923	87-700/14	3683 804	87-400/12	3875 558	87-900/4	4173 447	87-100/10
2084 666	87-900/22	2899 556	87-400/23	3683 824	87-600/4	3879 720	87-200/15	4176 004	87-800
2095 012	87-800/5	2932 814	87-900/24	3683 947	87-200/12	3879 721	87-200/15	4179 776	87-400/20
2095 052	87-800/18	2932 988	87-700/9	3698 458	87-200/6	4006 302	87-100/1	4179 777	87-400/20
2095 076	87-900/20	2946 051	87-100/16	3744 889	87-800/7	4006 583	87-200/4	4179 778	87-400/20
2095 114	87-900/17	2946 079	87-100/16	3751 015	87-300/4	4026 082	87-800/17	4186 118	87-300/5
2095 116	87-900/9	2946 083	87-200/13	3751 091	87-400/9	4026 451	87-300/2	4186 119	87-300/5
2095 117	87-900/14	2951 626	87-200/10	3751 510	87-100/16	4026 453	87-300/2	4186 120	87-300/5
2095 118	87-900/5		87-200/11	3751 659	87-400/7	4026 487	87-300/7	4186 121	87-300/5
2095 130	87-900/16	3004 866	87-600/1	3751 831	87-300/8	4026 488	87-300/7	4186 122	87-300/5
2095 133	87-900/13	3418 424	87-400	3755 073	87-700/10	4026 489	87-300/7	4186 123	87-300/5
2098 278	87-800/1	3418 425	87-400	3755 114	87-800/17	4026 490	87-300/7	4186 194	87-300/7
2121 223	87-200/7	3418 457	87-500/18	3755 184	87-800/10	4026 491	87-300/7	4186 195	87-300/7
2129 012	87-100/8	3438 159	87-800/12	3755 261	87-900/1	4026 492	87-300/7	4186 196	87-300/7
2129 013	87-600/2	3438 709	87-800/9	3755 261	87-700/8	4027 091	87-500/21	4186 197	87-300/7
2206 200	87-500/4	3438 729	87-800/16	3755 474	87-700/10	4027 249	87-500/21	4186 198	87-300/7
2268 921	87-500/2	3462 337	87-500/4	3769 964	87-100/9	4049 264	87-100/4	4186 199	87-300/7
2275 556	87-900/6	3462 871	87-100/13	3780 004	87-300/3	4049 338	87-400/15	4186 348	87-100/7
2275 557	87-900/7	3496 959	87-500/21	3780 005	87-300/3	4049 339	87-400/15	4186 352	87-100/16
2275 558	87-900/11	3496 960	87-500/21	3780 016	87-300/3	4049 340	87-400/15	4201 135	87-200/3

1987 INDUSTRIAL ENGINE

PART NUMBER	REF.	PART NUMBER	REF.	PART NUMBER	REF.	PART NUMBER	REF.	PART NUMBER	REF.
4201 135	...	87-200/3	9414 521	...	87-700/6				
4227 879	...	87-400/16	9417 599	...	87-700/5				
4240 044	...	87-300/16	9420 892	...	87-600/6				
4240 101	...	87-300/16							
4240 153	...	87-500/17							
4240 413	...	87-800/6							
4240 434	...	87-700/14							
4271 941	...	87-500/21							
4273 129	...	87-100/2							
4273 344	...	87-300/6							
4289 011	...	87-700/#							
4289 402	...	87-700/#							
4323 354	...	87-200/3							
4323 423	...	87-100/5							
4323 809	...	87-300/13							
4323 810	...	87-300/13							
4323 811	...	87-300/13							
4323 812	...	87-300/13							
4323 813	...	87-300/13							
4342 772	...	87-300/2							
4342 773	...	87-300/2							
4343 735	...	87-200/1							
4343 736	...	87-200/1							
4379 720	...	87-200/15							
4382 056	...	87-100/5							
4387 606	...	87-500/#							
4397 712	...	87-300/16							
4417 561	87-500/11#							
5203 341	...	87-100/12							
	...	87-100/15							
5203 342	...	87-100/12							
5203 344	...	87-100/12							
5203 786	...	87-200/3							
5213 367	...	87-700/14							
5213 706	...	87-800/15							
5214 658	...	87-400/16							
6022 006	...	87-900/5							
6023 202	...	87-900/2							
6024 027	...	87-400/26							
6025 926	...	87-500/19							
6026 763	...	87-700/4							
6027 264	...	87-300/15							
6027 772	...	87-900/2							
6027 880	...	87-600/6							
6028 166	...	87-600/6							
6029 411	...	87-300/10							
6030 662	...	87-200/9							
6031 045	...	87-100/5							
6031 101	...	87-100/5							
6031 413	...	87-500/19							
6031 688	...	87-100/1							
6031 761	...	87-600/6							
6031 857	...	87-200/9							
6032 145	...	87-500/20							
6032 296	...	87-300/14							
9409 667	...	87-200/14							
9414 300	...	87-700/#							



CHRYSLER
Industrial

Engines