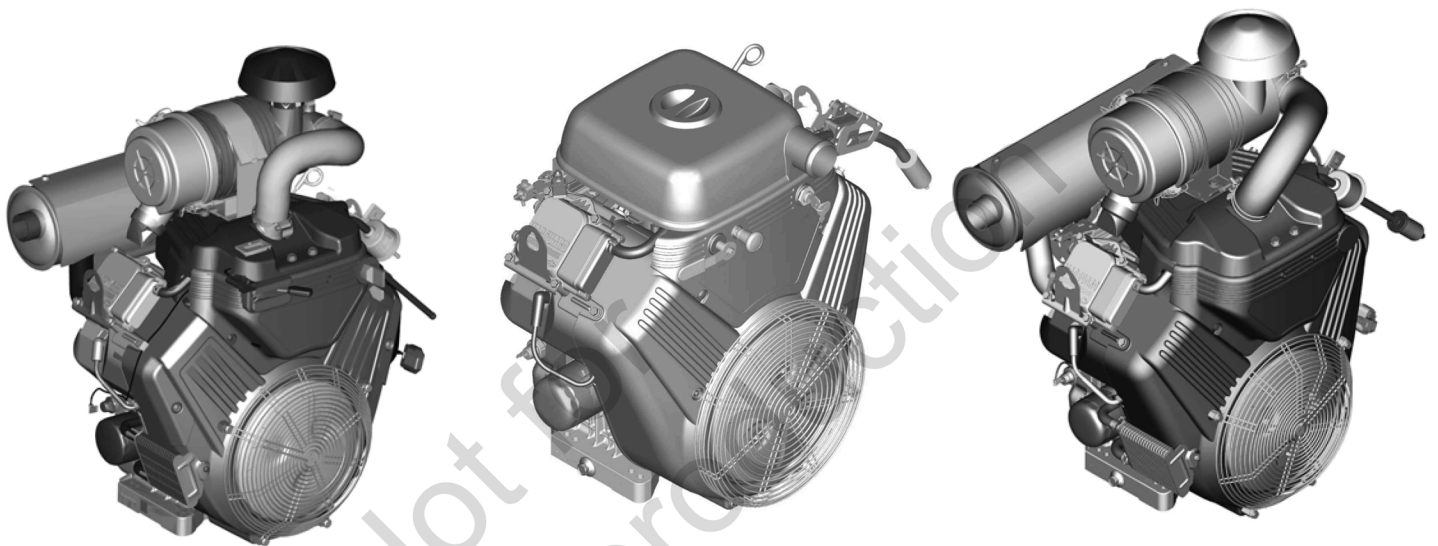


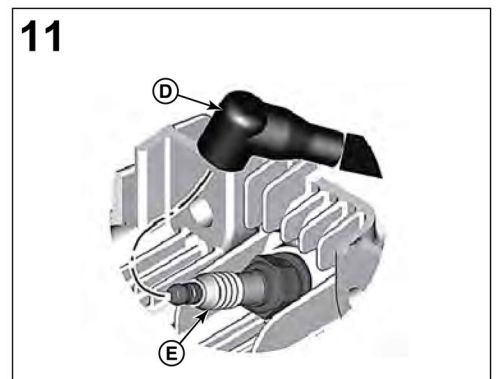
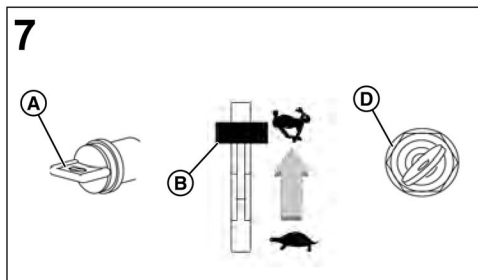
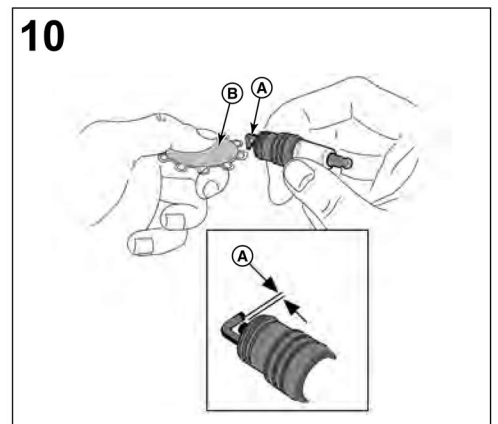
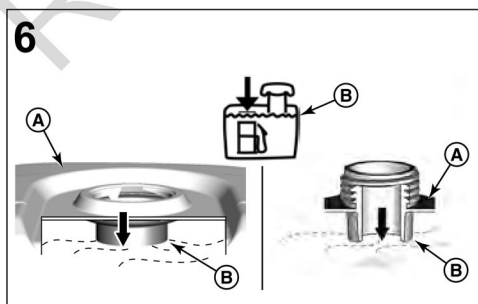
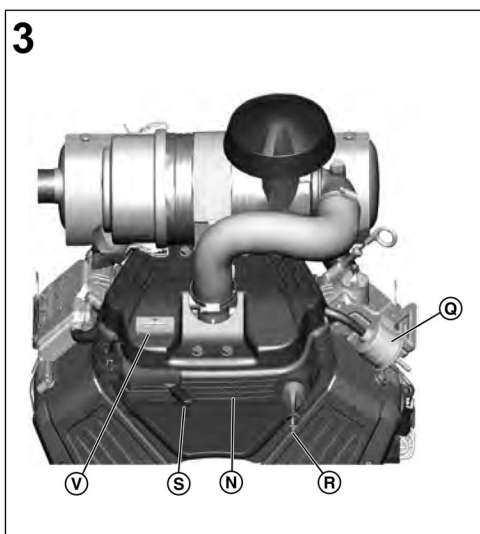
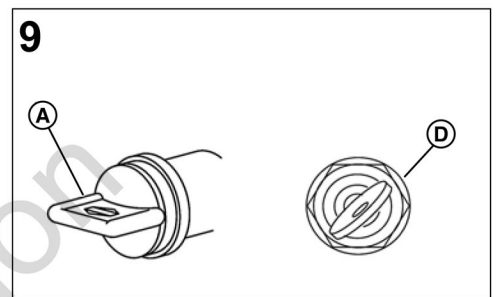
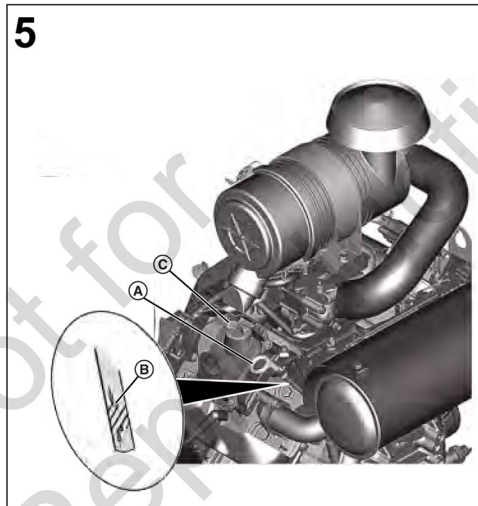
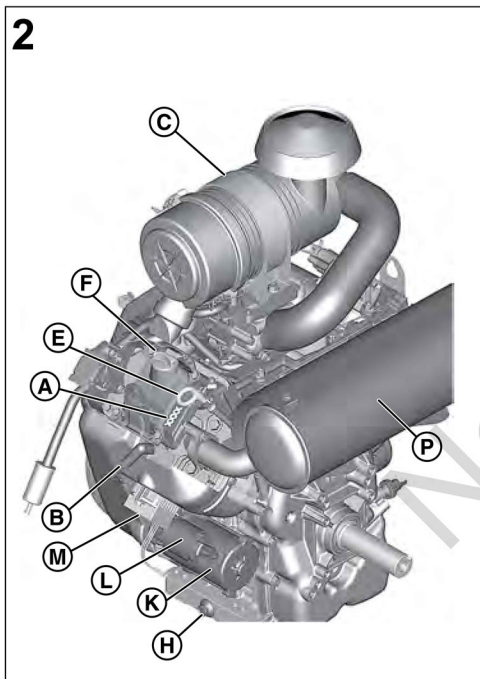
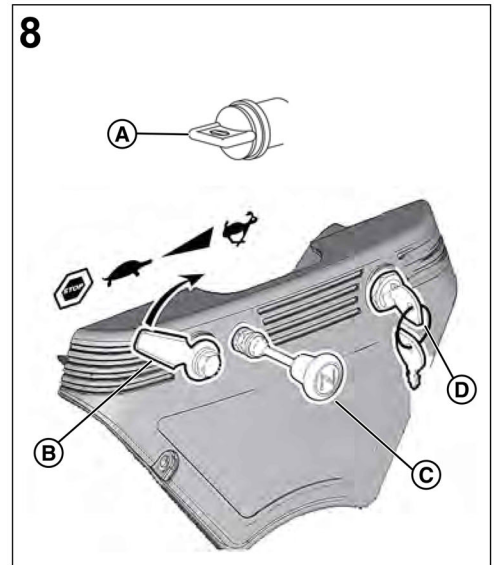
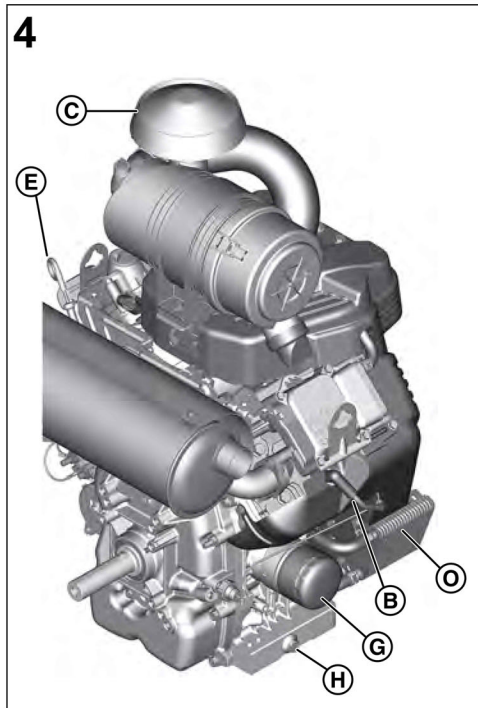
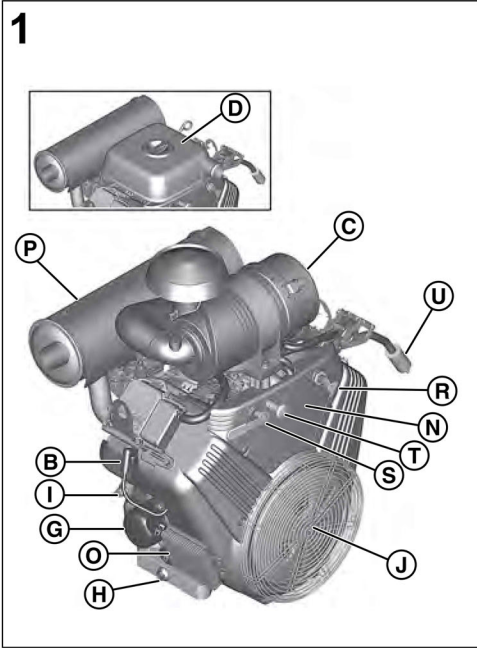
VANGUARD®

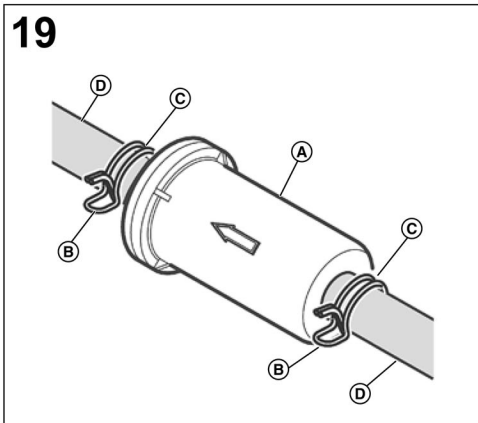
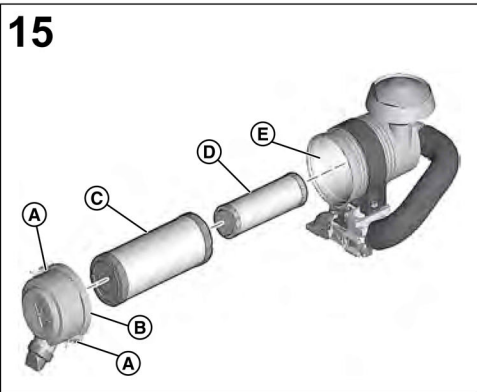
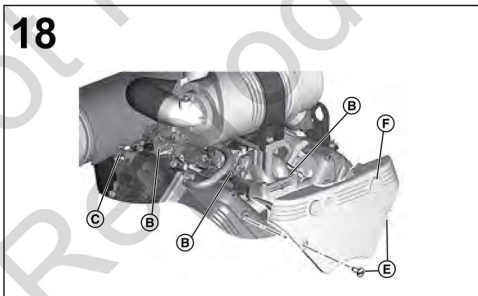
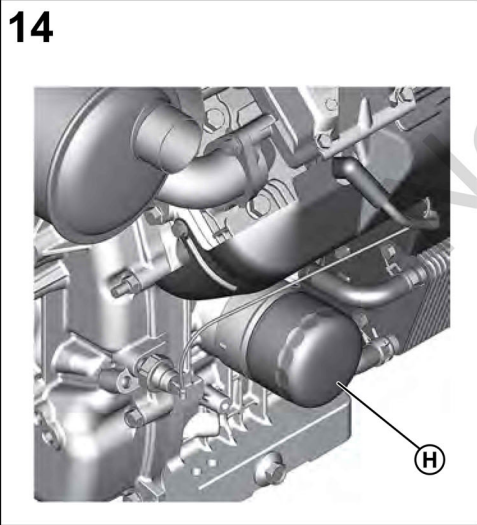
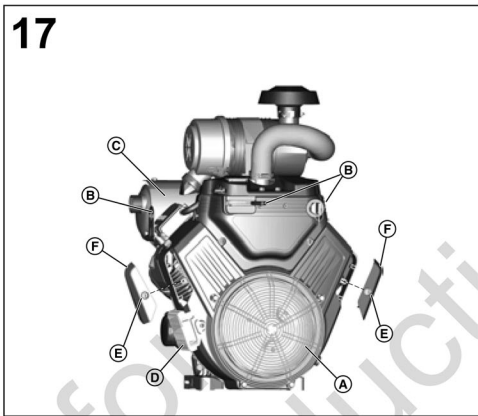
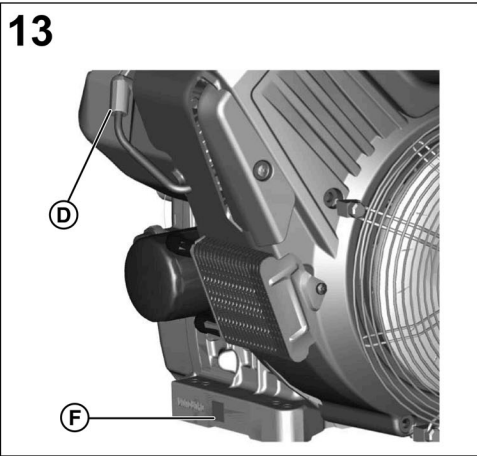
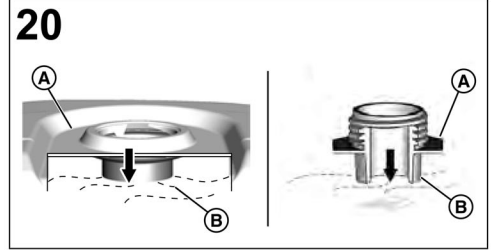
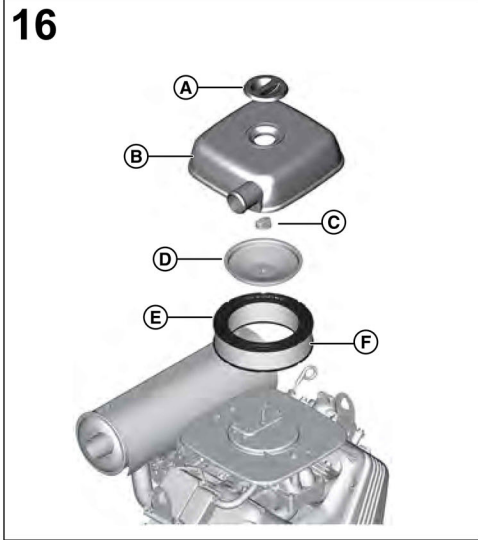
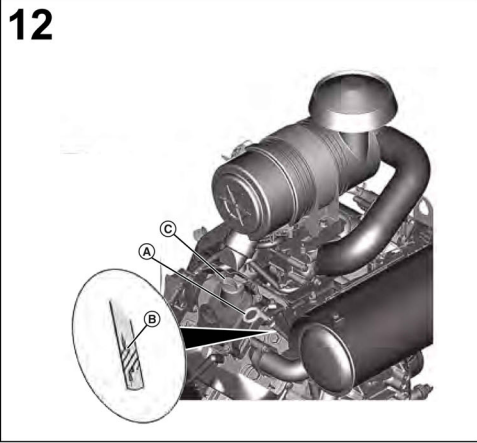


61E000, 610000, 61A000, 61G200, 61G300

- en** Operator's Manual
- es** Manual del operador
- fr** Manuel d'utilisation







General Information



This manual contains the safety information about the hazards and risks related to the engine and how to prevent them. It also contains the correct operation and maintenance of this engine. It is important that you read, understand, and obey these instructions. **Keep this manual for future reference.**

NOTE: The figures and illustrations in this manual are for information only and can be different from your model. Use the figures that align with your engine configuration. If it is necessary, speak to an Authorized Service Dealer.

Record the date of purchase, engine model, type, trim, and the engine serial number for replacement parts. These numbers are on your engine. Refer to the **Features and Controls** section.

Date of Purchase	
Engine Model - Type - Trim	
Engine Serial Number	

European Office Contact Information

For questions related to European emissions, contact our European office at:

Max-Born-Straße 2, 68519 Viernheim, Germany.

European Union (EU) Stage V (5): Carbon Dioxide (CO₂) Values

Enter CO₂ in the search window on BriggsandStratton.com to find carbon dioxide values of Briggs & Stratton EU Type-Approval Certificate engines.

Recycling Information

		Recycle all cartons, boxes, used oil, and batteries as specified by government regulations.
--	--	---------------------------------------------------------------------------------------------

Operator Safety

Safety Alert Symbol and Signal Words



The safety alert symbol identifies safety information about hazards that could result in personal injury. A signal word (**DANGER**, **WARNING**, or **CAUTION**) is used to indicate the likelihood and the potential severity of injury. In addition, a hazard symbol is used to represent the type of hazard.

DANGER indicates a hazard which, if not avoided, **will** result in death or serious injury.

WARNING indicates a hazard which, if not avoided, **could** result in death or serious injury.

CAUTION indicates a hazard which, if not avoided, **could** result in minor or moderate injury.

NOTICE indicates information considered important but not hazard-related.

Hazard Symbols and Meanings

	Safety information about hazards that can result in personal injury.		Read and understand the Operator's Manual before operating or servicing the unit.
	Fire Hazard		Explosion Hazard
	Shock Hazard		Toxic Fume Hazard
	Hot Surface Hazard		Kickback Hazard

	Amputation Hazard - Moving Parts		Fuel Level - Maximum Do Not Overfill
--	----------------------------------	--	--------------------------------------

Safety Messages



WARNING

This product can expose you to chemicals including gasoline engine exhaust, which is known to the State of California to cause cancer, and carbon monoxide, which is known to the State of California to cause birth defects or other reproductive harm. For more information go to www.P65Warnings.ca.gov.



WARNING

Briggs & Stratton® Engines are not designed for and are not to be used to power: fun-karts; go-karts; children's, recreational, or sport all-terrain vehicles (ATVs); motorbikes; hovercraft; aircraft products; or vehicles used in competitive events not sanctioned by Briggs & Stratton. For information about competitive racing products, see www.briggsracing.com. For use with utility and side-by-side ATVs, please contact Briggs & Stratton Power Application Center, 1-866-927-3349. Incorrect engine use could result in serious injury or death.



WARNING

Fuel and its vapors are flammable and explosive. Fire or explosion could result in burns or death.

When you add fuel

- Stop the engine. Before you remove the fuel cap, wait a minimum of two (2) minutes to make sure that the engine is cool.
- Fill the fuel tank outdoors or in an area that has good airflow.
- Do not put too much fuel in the tank. For expansion of the fuel, do not fill above the bottom of the fuel tank neck.
- Keep fuel away from sparks, open flames, pilot lights, heat, and other ignition sources.
- Frequently examine the fuel lines, fuel tank, fuel cap, and connections for cracks or leaks. Replace damaged parts.
- If fuel spills, wait until it dries before you start the engine.

When you start the engine

- Make sure that the spark plug, muffler, fuel cap and air cleaner (if equipped) are correctly installed.
- Do not crank the engine with the spark plug removed.
- If the engine is flooded, set the choke (if equipped) to the OPEN or RUN position. Move the throttle (if equipped) to the FAST position and crank until the engine starts.
- If there is natural or LP gas leakage in the area, do not start the engine.
- Because vapors are flammable, do not use pressurized starter fluids.

When you operate the equipment

- Do not tilt the engine or the equipment at an angle which causes fuel to spill.
- Do not choke the carburetor (if equipped) to stop the engine.
- Do not start or operate the engine with the air cleaner (if equipped) or the air filter (if equipped) removed.

When you do maintenance

- If you drain the oil from the top oil fill tube, the fuel tank must be empty. If it is not empty, fuel leakage can occur and could result a fire or an explosion.
- During maintenance if it is necessary to tilt the unit, make sure that the fuel tank, if mounted on the engine, is empty and that the spark plug side is up. If the fuel tank is not empty, leakage can occur and could result a fire or an explosion.
- Frequently examine the fuel lines, fuel tank, fuel cap, and connections for cracks or leaks. Replace damaged parts.
- Do not change the governor spring, links or other parts to increase engine speed.
- Do not hit the flywheel with a hammer or hard object. This could result in failure of the flywheel during operation.
- Replacement parts must be of the same design and installed in the same position as the original parts. Other parts could result in damage or an injury.

When you move the location of equipment

- Make sure that the fuel tank is EMPTY or that the fuel shut-off valve is in the CLOSED position.

When fuel or equipment is in storage with fuel in the fuel tank

- Because pilot lights or other ignition sources can cause explosions, keep fuel or equipment away from furnaces, stoves, water heaters or other appliances that have pilot lights.



WARNING
Fuel and its vapors are flammable and explosive. Fire or explosion could result in burns or death.

Engine start-up causes spark that could result in a fire or explosion.

- If there is natural or LP gas leakage in the area, do not start the engine.
- Because vapors are flammable, do not use pressurized starter fluids.



WARNING
POISONOUS GAS HAZARD. Engine exhaust contains carbon monoxide, a poisonous gas that could kill you in minutes. Although you do not smell exhaust fumes, you could still be exposed to dangerous carbon monoxide gas. If you feel sick, dizzy, or weak while you use this product, get to fresh air RIGHT AWAY. See a doctor. You may have carbon monoxide poisoning.

- Carbon monoxide gas can collect in occupied spaces. To reduce the risk of carbon monoxide gas, ONLY operate this product outdoors and far away from windows, doors and vents.
- Install battery-operated carbon monoxide alarms or plug-in carbon monoxide alarms with battery back-up as specified by the manufacturer's instructions. Smoke alarms cannot sense carbon monoxide gas.
- DO NOT operate this product in homes, garages, basements, crawlspaces, sheds, or other closed spaces, even if you use fans or open doors and windows for ventilation. After the operation of this product, carbon monoxide can quickly collect in these spaces and stay for hours.
- ALWAYS put this product downwind and point the engine exhaust away from occupied spaces.



WARNING
Fast retraction of the starter cord (kickback) will pull your hand and arm to the engine faster than you can let go. Broken bones, fractures, bruises or sprains could result.

- To prevent kickback when you start the engine, pull the starter cord slowly until resistance is felt and then pull quickly.
- Before you start the engine, disconnect or remove all external equipment and engine loads.
- Make sure that direct-coupled equipment components, such as, but not limited to, blades, impellers, pulleys, and sprockets, are correctly attached.



WARNING
Rotating parts can entangle hands, feet, hair, clothing, or accessories and result in traumatic amputation or laceration.

- Operate equipment with the guards correctly installed.
- Keep hands and feet away from rotating parts.
- Remove jewelry and make sure that long hair is away from all rotating parts.
- Do not wear loose clothes or items that could become caught.



WARNING
During operation, the engine and muffler become hot. If you touch a hot engine, thermal burns can occur.

Combustible materials, such as leaves, grass and brush, can catch fire.

- Before you touch the engine or muffler, stop the engine and wait two (2) minutes. Make sure that the engine and muffler are safe to touch.
- Remove debris from the muffler and engine.

It is a violation of California Public Resource Code, Section 4442, to use or operate the engine on any forest-covered, brush-covered, or grass-covered land unless the exhaust system is equipped with a spark arrester, as defined in section 4442, maintained in effective working order. Other states or federal jurisdictions may have similar laws; reference Federal Regulation 36 CFR Part 261.52. Contact the original equipment manufacturer, retailer, or dealer to obtain a spark arrester designed for the exhaust system installed on this engine.



WARNING
Accidental engine spark can cause an electric shock, fire or explosion and could result in entanglement, traumatic amputation or laceration.

Before you make adjustments or repairs:

- Disconnect all spark plug wires and keep them away from the spark plugs.
- Disconnect the battery wire from the negative battery terminal (only engines with electric start).
- Use only the correct tools.

When you check for spark:

- Use an approved spark plug tester.
- Do not check for spark with the spark plug removed.



WARNING
Fuel vapors are flammable and explosive. Fire or explosion could result in burns or death.

If you smell gas

- Do not start the engine.
- Do not switch on electrical switches.
- Do not use a phone in the vicinity.
- Evacuate the area.
- Contact the gas supplier or the fire department.

Features and Controls





Engine Controls





Compare the callout letters in Figures 1, 2, 3, and 4 to the engine controls in the list that follows:

- A. Engine Identification Numbers **Model - Type - Code**
- B. Spark Plug
- C. Cyclonic Air Cleaner
- D. Low Profile Air Cleaner
- E. Dipstick
- F. Oil Fill
- G. Oil Filter
- H. Oil Drain Plug
- I. Oil Pressure Sensor
- J. Finger Guard
- K. Electric Starter
- L. Starter Solenoid
- M. Regulator / Rectifier
- N. Carburetor - Carburetor Models
- O. Oil Cooler (if installed)
- P. Muffler (if installed)
- Q. Fuel Pump
- R. Starter Switch¹
- S. Throttle Control¹
- T. Choke Control (Carburetor Models¹)
- U. Fuel Filter
- V. Tachometer (if installed)

¹Some engines and equipment have remote controls. See the equipment manual for the location and operation of remote controls.

Engine Control Symbols and Meanings

	Engine Speed - FAST		Engine Speed - SLOW
	Engine Speed - STOP		ON - OFF

 Engine Start Choke CLOSED	 Engine Start Choke OPEN
 Fuel Cap Fuel Shut-off OPEN	 Fuel Shut-off CLOSED

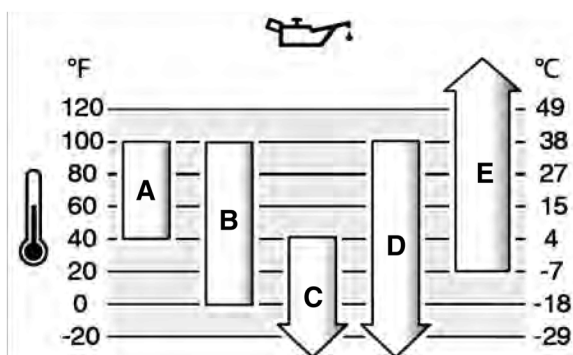
Operation

Oil Recommendations

Oil Capacity: Refer to SECTION 9 - SPECIFICATIONS.

We recommend the use of Briggs & Stratton® Warranty Certified oils for best performance. Other high-quality detergent oils are permitted if classified for service SF, SG, SH, SJ or higher. Do not use special additives.

Use the chart to select the best viscosity for the outdoor temperature range expected. Vanguard® 15W-50 Synthetic oil gives the best protection in most environments as well as superior protection for equipment operated in hot temperatures. Engines on most outdoor power equipment can operate well with Synthetic 5W-30 oil.



A	SAE 30 - Below 40 °F (4 °C) the use of SAE 30 will result in hard starting.
B	10W-30 - Above 80 °F (27 °C) the use of 10W-30 may cause increased oil consumption. Check the oil level frequently.
C	5W-30
D	Synthetic 5W-30
E	Vanguard® Synthetic 15W-50

Check the Oil Level

Before you check or add oil

- Make sure the engine is level.
- Clean the oil fill area of debris.
- Refer to the **Specifications** section for oil capacity.

NOTICE

This engine was shipped from Briggs & Stratton without oil. Equipment manufacturers or dealers could have added oil to the engine. Before you start the engine for the first time, make sure that the oil is at the correct level. Add oil as specified by the instructions in this manual. If you start the engine without oil, damage will occur and the engine will not be repaired under warranty.

1. Remove the dipstick (A, Figure 5) and clean with a cloth.
2. Install and tighten the dipstick (A, Figure 5).
3. Remove the dipstick and check the oil level. Make sure that the oil level is at the top of the full indicator (B, Figure 5) on the dipstick.
4. If the oil level is low, slowly add oil into the engine oil fill (C, Figure 5). Do not add too much oil.
5. Wait one minute and check the oil level again. Make sure that the oil level is correct.
6. Install and tighten the dipstick (A, Figure 5).

Low Oil Protection System (if installed)

A low oil sensor is installed on some engines. If the oil is low, the sensor will show a warning light or stop the engine. Stop the engine and do the steps that follow before you start the engine.

- Make sure that the engine is level.
- Do an oil check. Refer to the **Check Oil Level** section.

- If the oil level is low, add the correct amount of oil. Start the engine and make sure that the warning light (if installed) does not come on.
- If the oil level is not low, do not start the engine. Contact a Briggs & Stratton Authorized Service Dealer to correct the oil problem.

Fuel Recommendations

Fuel must meet these requirements:

- Clean, fresh, unleaded gasoline.
- A minimum of 87 octane/87 AKI (91 RON). High altitude use, see below.
- Gasoline with up to 10% ethanol (gasohol) is permitted.

NOTICE

Do not use unapproved gasoline, such as E15 and E85. Do not mix oil in gasoline or change the engine to operate on alternate fuels. Use of unapproved fuels could result in damage to engine components, which will not be repaired under the warranty.

To protect the fuel system from gum formation, and corrosion, mix an alcohol-free fuel stabilizer and ethanol treatment into the fuel. Refer to the **Storage** section. All fuel is not the same. If start or performance problems occur, change fuel providers or brands. This engine is certified to operate on gasoline. The emissions control system for carbureted engines is EM (Engine Modifications). The emissions control systems for engines with electronic fuel injection are ECM (Engine Control Module), MFI (Multipoint Fuel Injection), TBI (Throttle Body Fuel Injection) and if equipped an O2S (Oxygen Sensor).

High Altitude

At altitudes over 5,000 feet (1524 meters), a minimum 87 octane/87 AKI (91 RON) gasoline is permitted.

For carbureted engines, high altitude adjustment is required to maintain performance. Operation without this adjustment will cause decreased performance, increased fuel consumption, and increased emissions. Contact a Briggs & Stratton Authorized Service Dealer for high altitude adjustment information. Operation of the engine at altitudes below 2,500 feet (762 meters) with the high altitude adjustment is not recommended.

For Electronic Fuel Injection (EFI) engines, no high altitude adjustment is necessary.

Add Fuel



WARNING

Fuel and its vapors are flammable and explosive. Fire or explosion could result in burns or death.

When you add fuel

- Stop the engine. Before you remove the fuel cap, wait a minimum of two (2) minutes to make sure that the engine is cool.
- Fill the fuel tank outdoors or in an area that has good airflow.
- Do not put too much fuel in the tank. For expansion of the fuel, do not fill above the bottom of the fuel tank neck.
- Keep fuel away from sparks, open flames, pilot lights, heat, and other ignition sources.
- Frequently examine the fuel lines, fuel tank, fuel cap, and connections for cracks or leaks. Replace damaged parts.
- If fuel spills, wait until it dries before you start the engine.

1. Clean the fuel cap area of dirt and debris. Remove the fuel cap.
2. Fill the fuel tank (A, Figure 6) with fuel. Because fuel will expand, do not fill above the bottom of the fuel tank neck (B).
3. Install the fuel cap.

Start and Stop the Engine



WARNING

Fast retraction of the starter cord (kickback) will pull your hand and arm to the engine faster than you can let go. Broken bones, fractures, bruises or sprains could result.

- To prevent kickback when you start the engine, pull the starter cord slowly until resistance is felt and then pull quickly.
- Before you start the engine, disconnect or remove all external equipment and engine loads.
- Make sure that direct-coupled equipment components, such as, but not limited to, blades, impellers, pulleys, and sprockets, are correctly attached.



WARNING
Fuel and its vapors are flammable and explosive. Fire or explosion could result in burns or death.

When you start the engine

- Make sure that the spark plug, muffler, fuel cap and air cleaner (if equipped) are correctly installed.
- Do not crank the engine with the spark plug removed.
- If the engine is flooded, set the choke (if equipped) to the OPEN or RUN position. Move the throttle (if equipped) to the FAST position and crank until the engine starts.
- If there is natural or LP gas leakage in the area, do not start the engine.
- Because vapors are flammable, do not use pressurized starter fluids.



WARNING
POISONOUS GAS HAZARD. Engine exhaust contains carbon monoxide, a poisonous gas that could kill you in minutes. Although you do not smell exhaust fumes, you could still be exposed to dangerous carbon monoxide gas. If you feel sick, dizzy, or weak while you use this product, get to fresh air RIGHT AWAY. See a doctor. You may have carbon monoxide poisoning.

- Carbon monoxide gas can collect in occupied spaces. To reduce the risk of carbon monoxide gas, ONLY operate this product outdoors and far away from windows, doors and vents.
- Install battery-operated carbon monoxide alarms or plug-in carbon monoxide alarms with battery back-up as specified by the manufacturer's instructions. Smoke alarms cannot sense carbon monoxide gas.
- DO NOT operate this product in homes, garages, basements, crawlspaces, sheds, or other closed spaces, even if you use fans or open doors and windows for ventilation. After the operation of this product, carbon monoxide can quickly collect in these spaces and stay for hours.
- ALWAYS put this product downwind and point the engine exhaust away from occupied spaces.

NOTICE

This engine was shipped from Briggs & Stratton without oil. Equipment manufacturers or dealers could have added oil to the engine. Before you start the engine for the first time, make sure that the oil is at the correct level. Add oil as specified by the instructions in this manual. If you start the engine without oil, damage will occur and the engine will not be repaired under warranty.

Types of Start Systems

Before you start the engine, you must know the type of start system on your engine. Your engine has one of these types.

- **Electronic Fuel Injection (EFI) System:** This system does not have a choke or a primer.
- **Choke System:** This type of system has a choke to use in cool temperatures. Some models have a choke control, but other models have a combination choke and throttle choke. It does not have a primer.

NOTE: Your equipment can have remote controls. Refer to the equipment manual for location and operation of remote controls.

Electronic Fuel Injection (EFI) System

1. Check the engine oil. See the **Check Oil Level** section.
2. Make sure that equipment drive controls, if installed, are disengaged.
3. Move the fuel shut-off (A, Figure 7), if installed, to the OPEN position.
4. Move the throttle control (B, Figure 7), if installed, to the FAST position. Operate the engine in the FAST position.

NOTE: For models with Electronic Throttle Control, the throttle control can be in any position when you start the engine.

5. Turn the electric start switch (D, Figure 7) to the ON or START position.

NOTICE To extend the life of the starter, use short start cycles (five seconds maximum). Wait one minute between start cycles.

If the engine does not start after 3 or 4 times, contact your local dealer or go to BRIGGSandSTRATTON.COM or call 1-800-444-7774 (in USA).

Choke System

1. Check the engine oil. See the **Check Oil Level** section.
2. Make sure that the equipment drive controls, if installed, are disengaged.
3. Move the fuel shut-off (A, Figure 8), if installed, to the OPEN position.
4. Move the throttle control (B, Figure 8), if installed, to the FAST position. Operate the engine in the FAST position.

5. Move the choke control (C, Figure 8), or the combination choke and throttle (B,C), if installed, to the CLOSED position.

NOTE: To start the engine with a dry fuel system, additional cranking time in the choke position will be required. This will give the fuel pump time to prime the fuel system.

6. Turn the key switch (D, Figure 8), if installed, to the ON or START position.
7. If the engine starts but will not continue to operate, move the choke control (C, Figure 8) to the OPEN position to start the engine.
8. As the engine warms, move the choke control (C, Figure 8) to the OPEN position.

NOTE: If the engine will not start, contact your local dealer or go to vanguardpower.com or call 1-800-999-9333 (in USA).

Stop the Engine



WARNING
Fuel and its vapors are flammable and explosive. Fire or explosion could result in burns or death.

- Do not choke the carburetor (if equipped) to stop the engine.
1. Disengage equipment controls. See the equipment manual for location and operation of remote controls.
 2. Move the throttle control (B, Figure 9), if installed, to the SLOW position.
 3. Turn the key switch (D, Figure 9) to the OFF or STOP position. Remove the key, and keep it in a safe location out of reach of children.
 4. With the throttle control in the SLOW position, turn the electric start switch (D, Figure 9) to the OFF position. Remove the key. Keep it in a safe location out of reach of children.
 5. After the engine stops, move the fuel shut-off (A, Figure 9), if installed, to the CLOSED position.

Maintenance Maintenance Information



WARNING
Fuel and its vapors are flammable and explosive. Fire or explosion could result in burns or death.

During maintenance if it is necessary to tilt the unit, make sure that the fuel tank, if mounted on the engine, is empty and that the spark plug side is up. If the fuel tank is not empty, leakage can occur and could result in a fire or an explosion. If the engine is tilted in a different direction, it will not easily start because of oil or fuel contamination of the air filter or the spark plug.



WARNING
Accidental engine spark can cause an electric shock, fire or explosion and could result in entanglement, traumatic amputation or laceration.

Before you make adjustments or repairs:

- Disconnect all spark plug wires and keep them away from the spark plugs.
- Disconnect the battery wire from the negative battery terminal (only engines with electric start).
- Use only the correct tools.

When you check for spark:

- Use an approved spark plug tester.
- Do not check for spark with the spark plug removed.



WARNING
All the components used to assemble this engine must stay in the initial position for correct operation. Damage or injury can occur if you use incorrect parts or you do not replace all parts on the engine.

- Replacement parts must be of the same design and installed in the same position as initial parts.
- If installed, do not change the governor spring, links, or other parts to increase the engine speed.

See a Briggs & Stratton Authorized Service Dealer for all maintenance and servicing of the engine and engine parts.

Emissions Control Service

For maintenance, replacement, or repair of emissions control devices and systems, contact a qualified off-road engine repair establishment or service

technician. However, for "no charge" emissions control service, the work must be done by a factory authorized dealer. Refer to the Emissions Control Statements.

Maintenance Schedule

Intervals of 8 Hours or Daily
<ul style="list-style-type: none">• Check the engine oil level.• Clean the area around the muffler and controls.
Intervals of 100 Hours or Annually
<ul style="list-style-type: none">• Clean or replace the air filter^{1, 2}.• Clean the pre-cleaner (if installed)¹• Change the engine oil and filter.• Replace the oil filter (if installed).• Replace the spark plugs.• Check the muffler and spark arrester (if installed).• Service the exhaust system.
Intervals of 250 Hours or Annually
<ul style="list-style-type: none">• Check the valve clearance. Adjust if necessary.
Intervals of 400 Hours or Annually
<ul style="list-style-type: none">• Change the air filter².• Replace the fuel filter, if installed.• Service the air cooling system¹.• Clean the oil cooler fins¹.
Intervals of 600 Hours
<ul style="list-style-type: none">• Replace the safety filter, if installed.

¹ Clean more frequently in dusty conditions or when many particles are in the air.

² Every third air filter change, replace the inner safety filter (if installed).

Electronic Fuel Injection (EFI) System

The EFI System monitors engine temperature, engine speed, and battery voltage for engine start-up and warm-up. There are no adjustments on the system. If start-up or operation problems occur, contact a Briggs & Stratton Authorized Service Dealer.

NOTICE Make sure to obey the steps that follow or damage to the EFI system could occur.

- DO NOT start the engine if the battery cables are loose.
- Turn the key to the OFF position before you disconnect, remove, and / or install the battery.
- DO NOT use a battery charger to start the engine.
- DO NOT disconnect the battery cables during engine operation.
- When you disconnect the battery cables, first connect the positive (+) cable, and then connect the negative (-) cable to the battery.
- When you charge the battery, turn the ignition switch to the OFF position, and disconnect the negative (-) battery cable from the battery.
- DO NOT spray water directly on the Electronic Control Module.

Carburetor and Engine Speed

Do not make adjustments to the carburetor, governor spring, linkages, or other parts to adjust the engine speed. If adjustments are necessary, contact a Briggs & Stratton Authorized Service Dealer for servicing.

NOTICE

The equipment manufacturer specifies the maximum speed for the engine as installed on the equipment. Do not exceed this speed. If you are not sure what the equipment maximum speed is, or what the engine speed is set to from the factory, contact a Briggs & Stratton Authorized Service Dealer for assistance. For safe and correct operation of the equipment, the engine speed should only be adjusted by a qualified service technician.

Servicing the Spark Plug

Check the spark plug gap (A, Figure 10) with a wire gauge (B). If necessary, set the spark plug gap. Install and tighten the spark plug to the correct torque. For gap and torque specifications, refer to the **Specifications** section.

Servicing the Exhaust System



WARNING During operation, the engine and muffler become hot. If you touch a hot engine, thermal burns can occur.

Combustible materials, such as leaves, grass and brush, can catch fire.

- Before you touch the engine or muffler, stop the engine and wait two (2) minutes. Make sure that the engine and muffler are safe to touch.
- Remove debris from the muffler and engine.

It is a violation of California Public Resource Code, Section 4442, to use or operate the engine on any forest-covered, brush-covered, or grass-covered land unless the exhaust system is equipped with a spark arrester, as defined in section 4442, maintained in effective working order. Other states or federal jurisdictions may have similar laws; reference Federal Regulation 36 CFR Part 261.52. Contact the original equipment manufacturer, retailer, or dealer to obtain a spark arrester designed for the exhaust system installed on this engine.

Remove debris from the muffler and cylinder area. Inspect the muffler for cracks, corrosion, or other damage. Remove the deflector or the spark arrester, if equipped, and inspect for damage or carbon blockage. If damage is found, install the replacement parts before you operate the equipment.

Change Engine Oil



WARNING Fuel and its vapors are flammable and explosive. Fire or explosion could result in burns or death.

During operation, the engine and muffler become hot. If you touch a hot engine, thermal burns can occur.

- If you drain the oil from the top oil fill tube, the fuel tank must be empty. If it is not empty, fuel leakage can occur and cause a fire or an explosion.
- Before you touch the engine or muffler, stop the engine and wait two (2) minutes. Make sure that the engine and muffler are safe to touch.

Used oil is a hazardous waste product and must be discarded of correctly. Do not discard with household waste. Contact your local authorities, service center, or dealer for safe disposal or recycling facilities.

Remove Oil

1. With engine OFF but warm, disconnect the spark plug wire(s) (D, Figure 11), and keep it away from the spark plug(s)(E).
2. Remove the dipstick (A, Figure 12).
3. Remove the oil drain plug (F, Figure 13). Drain the oil into an approved container.
4. Install and tighten the oil drain plug (F, Figure 13).

Change the Oil Filter

1. Drain the oil from the engine. Refer to the **Remove Oil** section.
2. Remove the oil filter (H, Figure 14) and discard correctly.
3. Before you install the new oil filter, lightly lubricate the oil filter gasket with clean oil.
4. Install the oil filter by hand until the gasket touches the oil filter adapter, then tighten the oil filter 1/2 to 3/4 turns.
5. Add oil. Refer to the **Add Oil** section.
6. Start and operate the engine. When the engine is warm, do a check for oil leaks.
7. Stop the engine. Make sure that oil level is at the top of the full indicator on the dipstick. Refer to the **Add Oil** section.

Add Oil

- Make sure the engine is level.
- Clean the oil fill area of all debris.
- Refer to the **Specifications** section for oil capacity.

1. Remove the dipstick (A, Figure 12). Remove oil from the dipstick with a clean cloth.
2. Slowly add oil into the engine oil fill (C, Figure 12). **Do not overfill.** Wait one minute and then check the oil level.
3. Install and tighten the dipstick (A, Figure 12).
4. Remove the dipstick and check the oil level. The correct oil level is at the top of the full indicator (B, Figure 12) on the dipstick.
5. Install and tighten the dipstick (A, Figure 12).
6. Connect the spark plug wire(s) (D, Figure 11) to the spark plug(s) (E).

Servicing the Air Filter

WARNING



Fuel vapors are flammable and explosive. Fire or explosion could result in burns or death.

- Do not start and operate the engine with the air cleaner assembly (if equipped) or the air filter (if equipped) removed.

NOTICE

Do not use pressurized air or solvents to clean the filter. Pressurized air could result in damage to the filter and solvents will dissolve the filter.

See the **Maintenance Schedule** for servicing requirements.

Different models will use a foam or a paper filter. Some models could also have an optional pre-cleaner that can be cleaned and used again. Compare the illustrations in this manual with the type installed on your engine and service as follows.

Cyclonic Air Filter with Safety Filter

1. Open the fastener(s) (A, Figure 15) and remove the cover (B).
2. Remove the air filter (C, Figure 15).
3. To loosen debris, lightly tap the air filter on a hard surface. If the air filter is dirty, replace it with a new air filter.
4. To remove the safety filter (D, Figure 15), if installed, carefully pull it away from the air cleaner body (E). Make sure that dirt or debris does not go into the engine.
5. Install the new safety filter (D, Figure 15) in the air cleaner body (E).
6. Install the air filter (C, Figure 15) above the safety filter (D).
7. Install the cover (B, Figure 15) and close the fastener(s) (A).

Low Profile Air Filter

1. Remove the fastener(s) (A, Figure 16).
2. Remove the cover (B, Figure 16).
3. Remove the fastener(s) (C, Figure 16) and retainer (D).
4. Remove the air filter (E, Figure 16).
5. Remove the pre-cleaner (F, Figure 16), if installed, from the air filter (E).
6. To loosen unwanted material, lightly tap the air filter (E, Figure 16) on a hard surface. If the air filter is dirty, replace with a new air filter.
7. Clean the pre-cleaner (F, Figure 16), if installed, in liquid detergent and water. Make sure the pre-cleaner is fully dry. **Do not** lubricate the pre-cleaner.
8. Assemble the dry pre-cleaner (F, Figure 16), if installed, to the air filter (E).
9. Install the air filter (E, Figure 16) with the retainer (D) and fastener(s) (C).
10. Install the cover (B, Figure 16) with the fastener(s) (A). Make sure that the fastener(s) is tight.

Servicing the Cooling System

WARNING



During operation, the engine and muffler become hot. If you touch a hot engine, thermal burns can occur.

Combustible debris, such as leaves, grass, and brush can catch fire.

- Before you touch the engine or muffler, stop the engine and wait two (2) minutes. Make sure that the engine and muffler are safe to touch.
- Remove debris from the muffler and engine.

This is an air cooled engine. Dirt or debris can stop the air flow and cause the engine to become too hot and result in unsatisfactory performance and decreased engine life.

1. Use a brush or dry cloth to remove debris from the air intake area (A, Figure 17).
2. Keep linkage, springs, and controls (B, Figures 17, 18) clean.
3. Keep the area around and behind the muffler (C, Figures 17, 18) free of combustible debris.
4. Make sure that the oil cooler fins (D, Figure 17) are free of dirt and unwanted material.
5. Loosen the fastener(s) (E, Figures 17, 18) and remove the debris access panels (F). Remove grass and debris that has collected on the cylinders.
6. Install the debris access panels (F, Figures 17, 18) and attach with fastener(s) (E).

Servicing the Fuel System

WARNING



Fuel and its vapors are flammable and explosive. Fire or explosion could result in burns or death.

- Keep fuel away from sparks, open flames, pilot lights, heat, and other ignition sources.
- Frequently examine the fuel lines, fuel tank, fuel cap, and connections for cracks or leaks. Replace damaged parts.
- If fuel spills, wait until it dries before you start the engine.

Fuel Filter, if installed

1. Before you replace the fuel filter (A, Figure 19), drain the fuel tank or close the fuel shut-off valve. If the fuel tank is not drained, fuel leakage can occur and cause a fire or explosion.
2. Squeeze the tabs (B, Figure 19) on the clamps (C) with pliers. Move the clamps away from the fuel filter (A).
3. Twist and pull the fuel lines (D, Figure 19) off of the fuel filter.
4. Examine the fuel lines (D, Figure 19) for cracks or leaks. If it is necessary, replace the fuel lines.
5. Replace the fuel filter (A, Figure 19).
6. Attach the fuel lines (D, Figure 19) with clamps (C).

Storage

Fuel Storage

Keep the engine level at the correct operating position. Fill the fuel tank (A, Figure 20) with fuel. For fuel expansion, do not fill above the fuel tank neck (B).

Fuel can become stale when kept in a storage container for more than 30 days. The use of an alcohol-free fuel stabilizer and ethanol treatment in the fuel storage container is recommended. This keeps fuel fresh and decreases fuel-related problems or contamination in the fuel system.

If gasoline in the engine has not been treated with a fuel stabilizer, it must be drained into an approved container. Operate the engine until it is out of fuel.

NOTE: DO NOT run the Electronic Fuel Injection engine out of fuel. Fuel pump damage can occur. Make sure to add the correct amount of fuel stabilizer to the fuel tank, and run the engine for 30 minutes.

Engine Oil

While the engine is still warm, change the engine oil. Refer to **Change the Engine Oil** section.

Troubleshooting

Assistance

For assistance, contact your local dealer or go to BRIGGSandSTRATTON.COM or call **1-800-444-7774** (in USA).

Specifications

Specifications and Service Parts

Models: 610000, 61A000, 61E000, 61G200, 61G300	
Displacement	60.60 ci (993 cc)
Bore	3.366 in (85,5 mm)
Stroke	3.406 in (86,5 mm)
Oil Capacity	78 - 80 oz (2,3 - 2,4 L)
Spark Plug Gap	.030 in (.76 mm)
Spark Plug Torque	180 lb-in (20 Nm)
Armature Air Gap	.005 - .008 in (.13 - .20 mm)
Intake Valve Clearance	.004 - .006 in (.10 - .15 mm)
Exhaust Valve Clearance	.007 - .009 in (.18 - .23 mm)

Service Parts - Models: 610000, 61A000, 61E000, 61G200, 61G300	
Service Part	Part Number
Cyclonic Air Filter	841497
Cyclonic Safety Filter	821136
Air Filter, Low Profile	692519
Pre-cleaner, Low Profile	692520
Oil - SAE 30	100028
Oil Filter	842921
Fuel Filter	84001895
Resistor Spark Plug	491055S
Long Life Platinum Spark Plug	5066K
Spark Plug Wrench	19576S
Spark Tester	84003327

Engine power will decrease 3.5% for each 1,000 feet (300 meters) above sea level and 1% for each 10 °F (5.6 °C) above 77 °F (25 °C). The engine will operate satisfactorily at an angle up to 25°. Refer to the equipment Operator's Manual for safe permitted operating limits on slopes.

Power Ratings

The gross power rating for individual gasoline engine models is labeled in accordance with SAE (Society of Automotive Engineers) code J1940 Small Engine Power & Torque Rating Procedure, and is rated in accordance with SAE J1995. Torque values are derived at 2600 RPM for those engines with "rpm" called out on the label and 3060 RPM for all others; horsepower values are derived at 3600 RPM. The gross power curves can be viewed at www.BRIGGSandSTRATTON.COM. Net power values are taken with exhaust and air cleaner installed whereas gross power values are collected without these attachments. Actual gross engine power will be higher than net engine power and is affected by, among other things, ambient operating conditions and engine-to-engine variability. Given the wide array of products on which engines are placed, the gasoline engine may not develop the rated gross power when used in a given piece of power equipment. This difference is due to a variety of factors including, but not limited to, the variety of engine components (air cleaner, exhaust, charging, cooling, carburetor, fuel pump, etc.), application limitations, ambient operating conditions (temperature, humidity, altitude), and engine-to-engine variability. Due to manufacturing and capacity limitations, Briggs & Stratton may substitute an engine of higher rated power for this engine.

Warranty

Briggs & Stratton® Engine Warranty

Effective March 2023

Limited Warranty

Briggs & Stratton warrants that, during the warranty period specified below, it will repair or replace, free of charge, with a new, reconditioned or re-manufactured part, at the sole discretion of Briggs & Stratton, any part that is defective in material or workmanship or both. Transportation charges on product submitted for repair or replacement under this warranty must be borne by purchaser. This warranty is effective for and is subject to the time periods and conditions stated below. For warranty service, find the nearest Authorized Service Dealer in our dealer locator map at BRIGGSandSTRATTON.COM. The purchaser must contact the Authorized Service Dealer, and then make the product available to the Authorized Service Dealer for inspection and testing.

There is no other express warranty. Implied warranties, including those of merchantability and fitness for a particular purpose, are limited to one year from purchase, or to the extent permitted by law. All other implied warranties are excluded. Liability for incidental or consequential damages are excluded to the extent exclusion is permitted by law. Some states or countries do not allow limitations on how long an implied warranty lasts, and some states or countries do not allow the exclusion or limitation of incidental or consequential damages, so the above limitation and exclusion may not apply to you. This warranty gives you specific legal rights and you may also have other rights which vary from state to state and country to country.

Standard Warranty Terms ^{1, 2}
Vanguard®, CXi Series
Consumer Use - 36 months
Commercial Use - 36 months
XR Series
Consumer Use - 24 months
Commercial Use - 24 months
All Other Engines Featuring Dura-Bore™ Cast Iron Sleeve
Consumer Use - 24 months
Commercial Use - 12 months
All Other Engines
Consumer Use - 24 months
Commercial Use - 3 months

¹These are our standard warranty terms, but occasionally there may be additional warranty coverage that was not determined at time of publication. For a listing of current warranty terms for your engine, go to BRIGGSandSTRATTON.COM or contact your Briggs & Stratton Authorized Service Dealer.

²There is no warranty for engines on equipment used for prime power in place of a utility; standby generators used for commercial purposes, utility vehicles exceeding 25 MPH, or engines used in competitive racing or on commercial or rental tracks.

The warranty period begins on the date of purchase by the first retail consumer or commercial end user, and continues for the period of time stated in the table above. "Consumer use" means personal residential household use by a retail consumer. "Commercial use" means all other uses, including use for commercial, income producing or rental purposes. Once an engine has experienced commercial use, it shall thereafter be considered as a commercial use engine for purposes of this warranty.

No warranty registration is necessary to obtain warranty on Briggs & Stratton products. Save your proof of purchase receipt. If you do not provide proof of the initial purchase date at the time warranty service is requested, the manufacturing date of the product will be used to determine the warranty period.

About Your Warranty

This limited warranty covers engine-related material and/or workmanship issues only, and not replacement or refund of the equipment to which the engine may be mounted. Routine maintenance, tune-ups, adjustments, or normal wear and tear are not covered under this warranty. Similarly, warranty is not applicable if the engine has been altered or modified or if the engine serial number has been defaced or removed. This warranty does not cover engine damage or performance problems caused by:

1. The use of parts that are not original Briggs & Stratton parts;
2. Operating the engine with insufficient, contaminated, or an incorrect grade of lubricating oil;
3. The use of contaminated or stale fuel, gasoline formulated with ethanol greater than 10%, or the use of alternative fuels such as liquefied petroleum or natural gas on engines not originally designed/manufactured by Briggs & Stratton to operate on such fuels;
4. Dirt which entered the engine because of improper air cleaner maintenance or reassembly;
5. Striking an object with the cutter blade of a rotary lawn mower, loose or improperly installed blade adapters, impellers, or other crankshaft coupled devices, or excessive v-belt tightness;
6. Associated parts or assemblies such as clutches, transmissions, equipment controls, etc., which are not supplied by Briggs & Stratton;
7. Overheating due to grass clippings, dirt and debris, or rodent nests which plug or clog the cooling fins or flywheel area, or by operating the engine without sufficient ventilation;
8. Excessive vibration due to over-speeding, loose engine mounting, loose or unbalanced cutter blades or impellers, or improper coupling of equipment components to the crankshaft;
9. Misuse, lack of routine maintenance, shipping, handling, or warehousing of equipment, or improper engine installation.

Warranty service is available only through Briggs & Stratton Authorized Service Dealers. Locate your nearest Authorized Service Dealer in our dealer locator map at BRIGGSandSTRATTON.COM or by calling 1-800-444-7774 (in USA).

80114782 (Revision B)

Exhaust Emissions Warranty

For details on the Exhaust Emissions Control System Warranty, contact your Briggs & Stratton Authorized Service Dealer to start Exhaust Emissions Warranty service or refer to the Exhaust Emissions Control System Warranty statement located at BRIGGSANDSTRATTON.com. The warranty can be located by typing "Emissions Warranty" in the FAQ or by calling 1-800-444-7774.

Información general



Este manual contiene información de seguridad sobre los peligros y riesgos relacionados con el motor y cómo prevenirlos. También contiene el correcto funcionamiento y mantenimiento de este motor. Es importante que lea, comprenda y obedezca estas instrucciones. **Conserve este manual para referencia futura.**

NOTA: Las figuras e ilustraciones en este manual sirven solo para información y pueden ser diferentes a su modelo. Utilice las cifras que se alinean con la configuración de su motor. Si es necesario, hable con un distribuidor de servicio autorizado.

Registre la fecha de compra, el modelo del motor, el tipo, la versión y el número de serie del motor para las piezas de repuesto. Estos números están en su motor. Consulte la sección **Características y controles**.

Fecha de compra	
Modelo del motor - Tipo - Reglaje	
Número de Serie del motor	

Información de contacto de la oficina en Europa

Si tiene preguntas relacionadas con las emisiones europeas, póngase en contacto con nuestra oficina en Europa en:

Max-Born-Straße 2, 68519 Viernheim, Alemania.

Etapa V (5) de la Unión Europea (UE): Valores del dióxido de carbono (CO2)

Ingrese CO2 en la ventana de búsqueda en BriggsandStratton.com. para encontrar los valores de dióxido de carbono de los motores de Briggs & Stratton con certificado de aprobación tipo UE.

Información de reciclaje



Recicle todos los cartones, cajas, aceite usado y baterías según lo especifiquen las regulaciones gubernamentales.

Seguridad del operador

Símbolo de alerta de seguridad y palabras de señalización



El símbolo de alerta de seguridad identifica información de seguridad sobre peligros que podrían provocar lesiones personales. Se usa una palabra de señalización (**PELIGRO**, **ADVERTENCIA**, o **PRECAUCIÓN**) para indicar la probabilidad y la gravedad potencial de las lesiones. Además, se usa un símbolo de peligro para representar el tipo de riesgo.

PELIGRO indica un riesgo que, si no se evita, **ocasionará** la muerte o lesiones graves.

ADVERTENCIA indica un riesgo que, si no se evita, **podría** ocasionar la muerte o lesiones graves.

PRECAUCIÓN indica un riesgo que, si no se evita, **podría** ocasionar lesiones menores o moderadas.

AVISO indica información que se considera importante pero que no está relacionada con un peligro.

Símbolos de peligro y significados

Información de seguridad sobre peligros que pueden conllevar a lesiones personales.	Lea y entienda el Manual del operador antes de operar y realizar mantenimientos a la unidad.
Peligro de incendio	Peligro de explosión

Peligro de descarga eléctrica	Peligro de vapores tóxicos
Peligro de superficie caliente	Peligro de retroceso violento
Peligro de amputación: piezas móviles	Nivel de combustible - Máximo No lo llene en exceso

Mensajes de seguridad



ADVERTENCIA

Este producto puede exponerlo a sustancias químicas, entre las que se incluyen emisiones de escape de motor de gasolina, reconocidas por el estado de California como causantes de cáncer, y monóxido de carbono, reconocido por el estado de California como causante de defectos de nacimiento u otros problemas reproductivos. Para obtener más información, visite www.P65Warnings.ca.gov.



ADVERTENCIA

Los motores Briggs & Stratton® no están diseñados, y no deben utilizarse, para potenciar carritos motorizados; go karts; vehículos para niños; vehículos recreativos; vehículos deportivos todo terreno (ATV); motocicletas; aerodeslizadores; equipo aeronáutico; o vehículos utilizados en eventos de competencia que no estén avalados por Briggs & Stratton. Para obtener información acerca de productos de carrera profesionales, consulte www.briggsracing.com. Para usar el motor en ATV utilitarios y side by side, comuníquese con el Centro de aplicaciones de potencia de Briggs & Stratton llamando al 1-866-927-3349. El uso incorrecto del motor podría provocar lesiones graves o la muerte.



ADVERTENCIA

El combustible y sus vapores son inflamables y explosivos. El fuego o una explosión podrían provocar quemaduras o la muerte.

Cuando agregue combustible

- Detenga el motor. Antes de quitar la tapa del combustible, espere un mínimo de dos (2) minutos para asegurarse de que el motor esté frío.
- Llene el tanque de combustible al aire libre o en un área con buena circulación de aire.
- No ponga demasiado combustible en el tanque. Para permitir la expansión del combustible, no llene el tanque de combustible arriba de la parte inferior del cuello.
- Mantenga el combustible alejado de chispas, llamas abiertas, llamas piloto, calor y otras fuentes de ignición.
- Examine frecuentemente las líneas de combustible, el tanque de combustible, la tapa del combustible y las conexiones en busca de grietas o fugas. Reemplace las piezas dañadas.
- Si el combustible se derrama, espere a que se seque antes de arrancar el motor.

Cuando arranque el motor

- Asegúrese de que la bujía, el silenciador, la tapa del combustible y el limpiador de aire (si tiene) estén correctamente instalados.
- No arranque el motor si retiró la bujía.
- Si el motor está inundado, lleve el estrangulador (si tiene) a la posición ABIERTO o MARCHA. Mueva el acelerador (si tiene) a la posición RÁPIDO y de arranque hasta que el motor se encienda.
- Si hay alguna filtración de gas natural o gas LP en el área, no arranque el motor.
- Puesto que los vapores son inflamables, no utilice fluidos de encendido presurizados.

Cuando opere el equipo

- No incline el motor o el equipo en un ángulo que cause derramamiento del combustible.
- No cebe el carburador (si tiene) para detener el motor.
- Nunca arranque u opere el motor sin el limpiador de aire (si tiene) o el filtro de aire (si tiene).

Cuando lleve a cabo mantenimiento

- Si drena el aceite desde el tubo de llenado de aceite superior, el tanque de combustible debe estar vacío. Si no está vacío, puede producirse un derrame de combustible y podría ocasionarse un incendio o una explosión.
- Durante el mantenimiento, si es necesario inclinar la unidad, asegúrese de que el tanque de combustible, si está montado en el motor, esté vacío y que el extremo del motor donde está la bujía esté elevado. Si el tanque de combustible no está vacío, puede producirse un derrame de combustible y podría ocasionarse un incendio o una explosión.
- Examine frecuentemente las líneas de combustible, el tanque de combustible, la tapa del combustible y las conexiones en busca de grietas o fugas. Reemplace las piezas dañadas.
- No cambie el resorte del regulador, las conexiones u otras piezas para aumentar la velocidad del motor.
- No golpee el volante con un martillo o un objeto duro. Esto podría provocar una falla en el volante durante la operación.
- Las piezas de repuesto deben ser del mismo diseño y deben ser instaladas en la misma posición que las piezas originales. Otras piezas podrían provocar daños o lesiones.

Cuando traslada la ubicación del equipo

- Asegúrese de que el tanque de combustible esté VACÍO o que la válvula de cierre de combustible esté en la posición CERRADA.

Cuando el combustible o el equipo está almacenado con combustible en el tanque de combustible

- Puesto que las luces piloto u otras fuentes de ignición pueden causar explosiones, mantenga el combustible o el equipo lejos de hornos, estufas, calentadores de agua u otros aparatos que tengan luces piloto.



ADVERTENCIA

El combustible y sus vapores son inflamables y explosivos. El fuego o una explosión podrían provocar quemaduras o la muerte.

El arranque del motor causa una chispa que podría provocar un incendio o una explosión.

- Si hay alguna filtración de gas natural o gas LP en el área, no arranque el motor.
- Puesto que los vapores son inflamables, no utilice fluidos de encendido presurizados.



ADVERTENCIA

PELIGRO DE GAS NOCIVO. Las emisiones del motor contienen monóxido de carbono, un gas nocivo que podría causar la muerte en minutos. Aunque no huele los gases del escape, puede estar expuesto al peligroso gas de monóxido de carbono. Si usted se siente enfermo, adormecido, o débil al utilizar este producto, diríjase hacia un lugar con aire fresco DE INMEDIATO. Consulte a un médico. Es probable que se haya intoxicado con monóxido de carbono.

- El gas de monóxido de carbono puede acumularse en los espacios habitados. Para reducir el riesgo del gas de monóxido de carbono, SOLAMENTE opere este producto al aire libre, lejos de ventanas, puertas y ventilaciones.
- Instale alarmas de monóxido de carbono operadas por baterías o alarmas de monóxido de carbono para enchufar con batería de respaldo según lo que especifiquen las instrucciones del fabricante. Los detectores de humo no detectan el gas de monóxido de carbono.
- NO opere este producto en viviendas, garajes, sótanos, espacios reducidos, cobertizos u otros espacios cerrados, incluso si usa ventiladores o deja las puertas y ventanas abiertas a manera de ventilación. Después de la operación de este producto, el monóxido de carbono puede acumularse rápidamente en estos espacios y permanecer durante horas.
- SIEMPRE ubique este producto a favor del viento y mantenga el escape del motor alejado de los espacios confinados.



ADVERTENCIA

La retracción rápida del cordón del arrancador (retroceso) tirará de su mano y brazo hacia el motor más rápido de lo que puede sostenerlo. Podrían presentarse roturas en los huesos, fracturas, contusiones, o torceduras.

- Para evitar el retroceso al arrancar el motor, hale del cordón del arrancador lentamente hasta sentir resistencia y luego suéltelo rápidamente.
- Antes de arrancar el motor, desconecte o retire cualquier carga externa del motor/equipo.
- Asegúrese de que los componentes del equipo acoplados directamente, entre otros, cuchillas, propulsores, poleas y ruedas dentadas estén firmemente acoplados.



ADVERTENCIA

Las partes giratorias pueden atrapar las manos, los pies, el cabello, la ropa o los accesorios y provocar una amputación o laceración traumática.

- Opere el equipo con protectores correctamente instalados.
- Mantenga sus manos y pies alejados de las piezas giratorias.
- Quítese las joyas y asegúrese de que el pelo largo esté apartado de todas las piezas giratorias.
- No use ropa suelta o artículos que puedan quedar atrapados.



ADVERTENCIA

Durante la operación, el motor y el silenciador se calientan. Si toca un motor caliente, pueden producirse quemaduras térmicas.

Los materiales combustibles, como hojas, césped y hierbas se pueden inflamar.

- Antes de tocar el motor o el silenciador, detenga el motor y espere dos (2) minutos. Asegúrese de que el motor y el silenciador se puedan tocar con seguridad.
- Quite los residuos del silenciador y del motor.

Es una infracción del Código de Recursos Públicos de California (California Public Resource Code), Sección 4442, utilizar u operar el motor en cualquier terreno forestal o cubierto por árboles o césped, a menos que el sistema de escape esté equipado con un supresor de chispas, en virtud de la Sección 4442, el cual se debe mantener en buenas condiciones de operación. Es posible que otros estados o jurisdicciones federales cuenten con leyes similares; consulte la Regulación Federal 36 CFR Sección 261.52. Póngase en contacto con el vendedor, el distribuidor o el fabricante del equipo original para obtener un extintor de chispas diseñado para el sistema de escape instalado en este motor.



ADVERTENCIA

La chispa accidental del motor puede provocar una descarga eléctrica, un incendio o una explosión y podría resultar en un enredo, una amputación traumática o una laceración.

Antes de que realice ajustes o reparaciones:

- Desconecte todos los cables de las bujías y manténgalos alejados de las bujías.
- Desconecte el cable de la batería del terminal negativo de la batería (solo motores con arranque eléctrico).
- Use solamente las herramientas correctas.

Cuando verifique si hay chispa:

- Use un probador de bujías aprobado.
- No revise si hay chispa con la bujía extraída.



ADVERTENCIA

Los vapores del combustible son inflamables y explosivos. El fuego o una explosión podrían provocar quemaduras o la muerte.

Si siente olor a gas

- No arranque el motor.
- No encienda interruptores eléctricos.
- No use un teléfono en las cercanías.
- Desaloje el área.
- Comuníquese con el proveedor de gas o con los bomberos.

Características y controles

Controles del motor









Compare las letras de las leyendas en las Figuras 1, 2, 3, y 4 con los controles del motor en la lista a continuación:

- Números de identificación del motor **Modelo - Tipo - Código**
- Bujía
- Filtro de aire ciclónico
- Limpiador de aire, bajo perfil
- Tapones de la varilla
- Llenado de aceite
- Filtro de aceite
- Tapón de drenaje de aceite
- Sensor de presión de aceite
- Protector para los dedos

- K. Arrancador eléctrico
- L. Solenoide del arrancador
- M. Regulador/Rectificador
- N. Carburador - Modelos con carburador
- O. Refrigerador de aceite (si está instalado)
- P. Silenciador (si está instalado)
- Q. Bomba de combustible
- R. Interruptor de arranque¹
- S. Control del acelerador¹
- T. Control del estrangulador (Modelos con carburador¹)
- U. Filtro de combustible
- V. Tacómetro (de estar instalado)

¹Algunos motores y equipos cuentan con controles remotos. Consulte el manual del equipo para conocer la ubicación y la operación de los controles remotos.

Símbolos de control del motor y significados

 Velocidad del motor - RÁPIDA	 Velocidad del motor - LENTA
 Velocidad del motor - DETENER	 ENCENDIDO/APAGADO
 Arranque del motor Estrangulador CERRADO	 Arranque del motor Estrangulador ABIERTO
 Tapa del combustible Válvula de cierre de combustible - ABIERTO	 Válvula de cierre de combustible - CERRADO

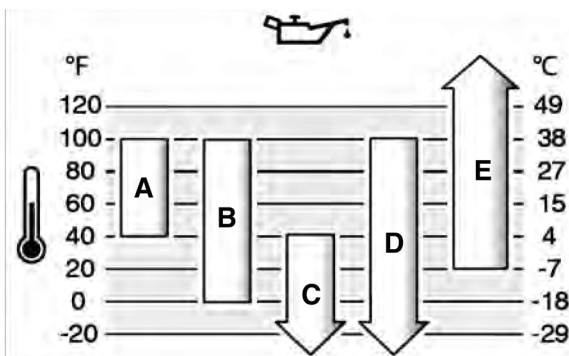
Operación

Recomendaciones sobre el aceite

Capacidad de aceite: Consulte la sección **Especificaciones**.

Recomendamos el uso de aceites Briggs & Stratton® con garantía certificada para un mejor rendimiento. Se permiten otros aceites detergentes de alta calidad, si están clasificados para servicio SF, SG, SH, SJ o superior. No use aditivos especiales.

Use el cuadro para seleccionar la mejor viscosidad para el margen de temperatura exterior que se espera. Los motores de la mayoría de los equipos eléctricos para exteriores funcionan bien con aceite sintético 5W-30. Para equipos que operan a altas temperaturas, el aceite sintético Vanguard® 15W-50 brinda la mejor protección.



A	SAE 30 - El uso de SAE 30 a temperaturas inferiores a 40 °F (4 °C) provocará dificultades de arranque.
B	10W-30 - El uso de 10W-30 a temperaturas mayores a 80 °F (27 °C) puede provocar un aumento en el consumo de aceite. Verifique el nivel de aceite con frecuencia.
C	5W-30
D	5W-30 sintético

E Vanguard® Sintético 15W-50

Verifique el nivel de aceite

Antes de verificar o agregar aceite

- Asegúrese de que el motor esté nivelado.
- Limpie todos los desechos del área de llenado de aceite.
- Consulte la sección **Especificaciones** para obtener la capacidad de aceite.

AVISO

Este motor fue enviado desde Briggs & Stratton sin aceite. Los fabricantes o distribuidores del equipo podrían haber agregado aceite al motor. Antes de arrancar el motor por primera vez, asegúrese de que el nivel de aceite sea el correcto. Agregue el aceite como se especifica en las instrucciones de este manual. Si arrancar el motor sin aceite, se presentarán daños y la reparación del motor no estará cubierta por la garantía.

1. Retire la varilla indicadora de nivel (A, Figura 5) y séquela con un paño limpio.
2. Instale y ajuste la varilla indicadora de nivel de aceite (A, Figura 5).
3. Retire la varilla y revise el nivel de aceite. Asegúrese de que el nivel de aceite esté en la parte superior del indicador de lleno (B, Figura 5) de la varilla indicadora de nivel de aceite.
4. Si el nivel de aceite es bajo, agregue aceite lentamente en el llenado de aceite del motor (C, Figura 5). No agregue demasiado aceite.
5. Espere un minuto y verifique el nivel de aceite. Asegúrese de que el nivel de aceite sea el correcto.
6. Instale y ajuste la varilla indicadora de nivel de aceite (A, Figura 5).

Sistema de protección de bajo nivel de aceite (si está instalado)

En algunos motores se ha instalado un sensor de bajo nivel de aceite. Si el nivel de aceite está bajo, el sensor mostrará una luz de advertencia o detendrá el motor. Detenga el motor y siga los pasos a continuación antes de arrancar el motor.

- Asegúrese de que el motor esté nivelado.
- Haga una comprobación del nivel de aceite. Consulte la sección **Verificación del nivel de aceite**.
- Si el nivel de aceite es bajo, agregue la cantidad correcta de aceite. Arranque el motor y asegúrese de que la luz de advertencia (si está instalada) no se encienda.
- Si el nivel de aceite es bajo, no arranque el motor. Comuníquese con un distribuidor de servicio autorizado de Briggs & Stratton para corregir el problema del aceite.

Recomendaciones acerca del combustible

El combustible debe cumplir con estos requisitos:

- Gasolina limpia, fresca y sin plomo.
- Un mínimo de 87 octanos/87 AKI (91 RON). Para uso en grandes alturas, consulte a continuación.
- Se permite gasolina con hasta un 10 % de etanol (gasohol).

AVISO

No utilice gasolina no aprobada, como la E15 y la E85. No mezcle la gasolina con aceite ni cambie el motor para usarlo con combustibles alternativos. El uso de combustibles no aprobados podría provocar daños a los componentes del motor, lo que no será reparado bajo la garantía.

Para proteger el sistema de combustible de la formación de goma y la corrosión, mezcle el combustible con un estabilizador de combustible sin alcohol y un tratamiento de etanol. Consulte la sección **Almacenamiento**. No todos los combustibles son iguales. Si ocurren problemas de arranque o de rendimiento, cambie el proveedor o la marca del combustible. Este motor está certificado para funcionar con gasolina. El sistema de control de emisiones para motores carburados es EM (modificaciones del motor). Los sistemas de control de emisiones para motores con inyección de combustible electrónica son ECM (módulo de control del motor), MFI (inyección multipunto), TBI (inyección al cuerpo de aceleración) y, si lo tiene, un O2S (sensor de oxígeno).

Gran altura

En alturas de más de 5000 pies (1524 metros), se permite una gasolina con un mínimo de 85 octanos/85 AKI (89 RON).

Para motores carburados, se requiere realizar el ajuste de gran altura para mantener el rendimiento. El funcionamiento sin este ajuste provocará una disminución en el rendimiento y un aumento en el consumo de combustible y en las emisiones. Comuníquese con un distribuidor de Servicio Autorizado por Briggs & Stratton para obtener información sobre el ajuste de gran altura. No se recomienda operar la máquina a alturas menores de 2500 pies (762 metros) con el ajuste de gran altura.

En el caso de motores con inyección de combustible electrónica (EFI), no se requiere un ajuste de gran altura.

Agregar combustible



ADVERTENCIA

El combustible y sus vapores son inflamables y explosivos. El fuego o una explosión podrían provocar quemaduras o la muerte.

Cuando agregue combustible

- Detenga el motor. Antes de quitar la tapa del combustible, espere un mínimo de dos (2) minutos para asegurarse de que el motor esté frío.
 - Llene el tanque de combustible al aire libre o en un área con buena circulación de aire.
 - No ponga demasiado combustible en el tanque. Para permitir la expansión del combustible, no llene el tanque de combustible arriba de la parte inferior del cuello.
 - Mantenga el combustible alejado de chispas, llamas abiertas, llamas piloto, calor y otras fuentes de ignición.
 - Examine frecuentemente las líneas de combustible, el tanque de combustible, la tapa del combustible y las conexiones en busca de grietas o fugas. Reemplace las piezas dañadas.
 - Si el combustible se derrama, espere a que se seque antes de arrancar el motor.
1. Limpie la suciedad y los desechos en el área de la tapa de llenado de combustible. Retire la tapa de llenado de combustible.
 2. Llene el tanque de combustible (A, Figura 6) con combustible. Puesto que el combustible se expandirá, no llene más arriba de la parte inferior del cuello del tanque de combustible (B).
 3. Instale la tapa de llenado de combustible.

Arranque y detención del motor



ADVERTENCIA

La retracción rápida del cordón del arrancador (retroceso) tirará de su mano y brazo hacia el motor más rápido de lo que puede sostenerlo. Podrían presentarse roturas en los huesos, fracturas, contusiones, o torceduras.

- Para evitar el retroceso al arrancar el motor, hale del cordón del arrancador lentamente hasta sentir resistencia y luego suéltelo rápidamente.
- Antes de arrancar el motor, desconecte o retire cualquier carga externa del motor/equipo.
- Asegúrese de que los componentes del equipo acoplados directamente, entre otros, cuchillas, propulsores, poleas y ruedas dentadas estén firmemente acoplados.



ADVERTENCIA

El combustible y sus vapores son inflamables y explosivos. El fuego o una explosión podrían provocar quemaduras o la muerte.

Cuando arranque el motor

- Asegúrese de que la bujía, el silenciador, la tapa del combustible y el limpiador de aire (si tiene) estén correctamente instalados.
- No arranque el motor si retiró la bujía.
- Si el motor está inundado, lleve el estrangulador (si tiene) a la posición ABIERTO o MARCHA. Mueva el acelerador (si tiene) a la posición RÁPIDO y de arranque hasta que el motor se encienda.
- Si hay alguna filtración de gas natural o gas LP en el área, no arranque el motor.
- Puesto que los vapores son inflamables, no utilice fluidos de encendido presurizados.



ADVERTENCIA

PELIGRO DE GAS NOCIVO. Las emisiones del motor contienen monóxido de carbono, un gas nocivo que podría causar la muerte en minutos. Aunque no huele los gases del escape, puede estar expuesto al peligroso gas de monóxido de carbono. Si usted se siente enfermo, adormecido, o débil al utilizar este producto, diríjase hacia un lugar con aire fresco DE INMEDIATO. Consulte a un médico. Es probable que se haya intoxicado con monóxido de carbono.

- El gas de monóxido de carbono puede acumularse en los espacios habitados. Para reducir el riesgo del gas de monóxido de carbono, SOLAMENTE opere este producto al aire libre, lejos de ventanas, puertas y ventilaciones.
- Instale alarmas de monóxido de carbono operadas por baterías o alarmas de monóxido de carbono para enchufar con batería de respaldo según lo que especifiquen las instrucciones del fabricante. Los detectores de humo no detectan el gas de monóxido de carbono.
- NO opere este producto en viviendas, garajes, sótanos, espacios reducidos, cobertizos u otros espacios cerrados, incluso si usa ventiladores o deja las puertas y ventanas abiertas a manera de ventilación. Después de la operación de este producto, el monóxido de carbono puede acumularse rápidamente en estos espacios y permanecer durante horas.
- SIEMPRE ubique este producto a favor del viento y mantenga el escape del motor alejado de los espacios confinados.

AVISO

Este motor fue enviado desde Briggs & Stratton sin aceite. Los fabricantes o distribuidores del equipo podrían haber agregado aceite al motor. Antes de arrancar el motor por primera vez, asegúrese de que el nivel de aceite sea el correcto. Agregue el aceite como se especifica en las instrucciones de este manual. Si arrancar el motor sin aceite, se presentarán daños y la reparación del motor no estará cubierta por la garantía.

Tipos de sistemas de encendido

Antes de arrancar el motor, debe conocer el tipo de sistema de encendido de su motor. Su motor tiene uno de estos tipos.

- **Sistema de inyección de combustible electrónica (EFI):** Este sistema no tiene un estrangulador ni un cebador.
- **Sistema del estrangulador:** Este tipo de sistema tiene un estrangulador que se utiliza en temperaturas frías. Algunos modelos tendrán un control de estrangulamiento, mientras que otros tendrán una combinación de control de estrangulador y acelerador. No tiene cebador.

NOTA: Su equipo podría tener controles remotos. Consulte el manual del equipo para conocer la ubicación y el funcionamiento de los controles remotos.

Sistema de inyección de combustible electrónica (EFI)

1. Revise el aceite del motor. Consulte la sección **Verificación del nivel de aceite**.
2. Asegúrese de que los controles de transmisión del equipo, si están instalados, estén desactivados.
3. Mueva la válvula de cierre de combustible (A, Figura 7), si está instalada, a la posición ABIERTO.
4. Mueva el control del acelerador (B, Figura 7), si está instalado, a la posición RÁPIDO. Opere el motor en la posición RÁPIDO.

NOTA: En los modelos con control electrónico del acelerador, el control del acelerador puede estar en cualquier posición al arrancar el motor.

5. Gire el interruptor de arranque eléctrico (D, Figura 7) a la posición ENCENDIDO o a la posición ARRANQUE.

AVISO Para prolongar la vida útil del arrancador, haga ciclos cortos de arranque (cinco segundos como máximo). Espere un minuto entre los ciclos de arranque.

Si el motor no arranca después de 3 o 4 intentos, póngase en contacto con su distribuidor local o vaya a BRIGGSandSTRATTON.COMo llame al 1-800-444-7774(en EE. UU.).

Sistema del estrangulador

1. Revise el aceite del motor. Consulte la sección **Verificación del nivel de aceite**.
2. Asegúrese de que los controles de transmisión del equipo, si están instalados, estén desconectados.
3. Mueva el cierre de combustible (A, Figura 8), si está instalado, a la posición ABIERTO.
4. Mueva el control del acelerador (B, Figura 8), si está instalado, a la posición RÁPIDO. Opere el motor en la posición RÁPIDO.
5. Mueva el control del estrangulador (C, Figura 8), o la combinación de control de estrangulador y acelerador (B, C) a la posición CERRADO.

NOTA: Para arrancar el motor con un sistema de combustible seco, será necesario un tiempo adicional de arranque en la posición estrangulador. Esto dará tiempo a la bomba de combustible para cebar el sistema de combustible.

- Gire el interruptor de llave (D, Figura 8) a la posición ENCENDIDO o a la posición ARRANQUE.
- Si el motor arranca pero no sigue operando, mueva el control del estrangulador (C, Figura 8) a la posición ABIERTO para arrancar el motor.

AVISO Para prolongar la vida útil del arrancador, haga ciclos cortos de arranque (cinco segundos como máximo). Espere un minuto entre los ciclos de arranque.

- Cuando se caliente el motor, mueva el control del estrangulador (C, Figura 8) a la posición ABIERTO.

NOTA: Si el motor no arranca, póngase en contacto con su distribuidor local o vaya a vanguardpower.com o llame al 1-800-999-9333 (en EE. UU.).

Detención del motor



ADVERTENCIA
El combustible y sus vapores son inflamables y explosivos. El fuego o una explosión podrían provocar quemaduras o la muerte.

- No cebe el carburador (si tiene) para detener el motor.
- Desactive los controles del equipo. Consulte el manual del equipo para conocer la ubicación y el funcionamiento de los controles remotos.
 - Mueva el control del acelerador (B, Figura 9), si está instalado, a la posición LENTO.
 - Gire el interruptor de llave (D, Figura 9) a la posición APAGADO o a la posición DETENER. Retire la llave y manténgala en un sitio seguro fuera del alcance de los niños.
 - Con el control del acelerador en la posición LENTO, coloque el interruptor de arranque eléctrico (D, Figura 9) en la posición APAGADO. Retire la llave. Manténgala en un lugar seguro fuera del alcance de los niños.
 - Después de que se haya detenido el motor, mueva la válvula de cierre de combustible (A, Figura 9), si está instalada, a la posición CERRADO.

Mantenimiento

Información de mantenimiento



ADVERTENCIA
El combustible y sus vapores son inflamables y explosivos. El fuego o una explosión podrían provocar quemaduras o la muerte.

Durante el mantenimiento, si es necesario inclinar la unidad, asegúrese de que el tanque de combustible, si está montado en el motor, esté vacío y que el extremo del motor donde está la bujía esté elevado. Si el tanque de combustible no está vacío, puede producirse un derrame de combustible y podría ocasionarse un incendio o una explosión. Si el motor está inclinado en una dirección diferente, no arrancará fácilmente debido a la contaminación del filtro de aire o de la bujía por aceite o combustible.



ADVERTENCIA
La chispa accidental del motor puede provocar una descarga eléctrica, un incendio o una explosión y podría resultar en un enredo, una amputación traumática o una laceración.

Antes de que realice ajustes o reparaciones:

- Desconecte todos los cables de las bujías y manténgalos alejados de las bujías.
- Desconecte el cable de la batería del terminal negativo de la batería (solo motores con arranque eléctrico).
- Use solamente las herramientas correctas.

Cuando verifique si hay chispa:

- Use un probador de bujías aprobado.
- No revise si hay chispa con la bujía extraída.



ADVERTENCIA
Todos los componentes utilizados para montar este motor deben permanecer en la posición inicial para su correcta operación. Pueden producirse daños o lesiones si se utilizan piezas incorrectas o no se sustituyen todas las piezas del motor.

- Las piezas de repuesto deben ser del mismo diseño y deben instalarse en la misma posición que las piezas iniciales.
- Si está instalado, no cambie el resorte del regulador, las conexiones u otras piezas para aumentar la velocidad del motor.

Consulte a un distribuidor de servicio autorizado de Briggs & Stratton para todo el mantenimiento y servicio del motor y las piezas del motor.

Mantenimiento del control de emisiones

Para el mantenimiento, la sustitución o la reparación de los dispositivos y sistemas de control de emisiones, póngase en contacto con un establecimiento de reparación de motores todo terreno calificado o con un técnico de servicio. Sin embargo, para obtener un servicio de control de emisiones "sin costo", el trabajo debe ser realizado por un distribuidor autorizado de la fábrica. Consulte las Declaraciones de Control de Emisiones.

Programa de mantenimiento

Intervalos de 8 horas o diariamente
<ul style="list-style-type: none"> Revise el nivel de aceite del motor. Limpie el área alrededor del silenciador y los controles.
Intervalos de 100 horas o anualmente
<ul style="list-style-type: none"> Limpie o reemplace el filtro de aire ^{1, 2}. Limpie el prefiltro (si está instalado)¹ Cambie el aceite del motor y el filtro. Reemplace el filtro de aceite (si está instalado). Reemplace las bujías. Verifique el silenciador y el supresor de chispas (si está instalado). Realice el mantenimiento del sistema de escape.
Intervalos de 250 horas o anualmente
<ul style="list-style-type: none"> Verifique el espacio libre de la válvula. Ajústelo si es necesario.
Intervalos de 400 horas o anualmente
<ul style="list-style-type: none"> Cambie el filtro de aire². Reemplace el filtro de combustible, si está instalado. Mantenimiento del sistema de refrigeración por aire¹. Limpie las aberturas del refrigerador de aceite¹.
Intervalos de 600 horas
<ul style="list-style-type: none"> Reemplace el filtro de seguridad, si está instalado.

¹ Limpie con más frecuencia en condiciones polvorrientas o cuando haya muchas partículas en el aire.

² Cada tres cambios de filtro de aire, reemplace el filtro de seguridad interno (si está instalado).

Sistema de inyección de combustible electrónica (EFI)

El sistema EFI controla la temperatura del motor, la velocidad del motor y el voltaje de la batería para el arranque y el calentamiento del motor. El sistema no tiene ajustes. Si hay problemas de arranque u operación, póngase en contacto con un distribuidor de servicio autorizado de Briggs & Stratton.

AVISO Asegúrese de obedecer los pasos que figuran a continuación pues de lo contrario podría presentarse daño en el sistema EFI.

- NO arranque el motor si los cables de la batería están flojos.
- Gire la llave a la posición APAGADO antes de desconectar, retirar y/o instalar la batería.
- NO use un cargador de baterías para arrancar el motor.
- NO desconecte los cables de la batería durante la operación del motor.
- Cuando desconecte los cables de la batería, conecte el cable positivo (+) primero y, luego conecte el cable negativo (-) a la batería.
- Cuando se cargue la batería, gire el interruptor de encendido a la posición APAGADO y desconecte el cable negativo (-) de la batería.
- NO rocíe con agua el módulo de control electrónico.

Carburador y velocidad del motor

No realice ajustes en el carburador, el resorte del regulador, las conexiones u otras piezas para ajustar la velocidad del motor. Si se necesitan ajustes, comuníquese con un distribuidor de servicio autorizado de Briggs & Stratton para solicitar el servicio.

AVISO

El fabricante del equipo especifica la velocidad máxima del motor tal y como está instalado en el equipo. No exceda esta velocidad. Si no está seguro de la velocidad máxima del equipo o de la velocidad del motor predeterminada de fábrica, póngase en contacto con un distribuidor de servicio autorizado de Briggs & Stratton para obtener ayuda. Para una operación segura y correcta del equipo, la velocidad del motor solo debe ajustarse por un técnico de servicio calificado.

Mantenimiento de las bujías

Verifique la separación entre bujías (A, Figura 10) con un calibrador de bujías (B). Si es necesario, ajuste la separación entre bujías. Instale y apriete la bujía con el par de torsión correcto. Para obtener información acerca de las especificaciones de la separación o del par de torsión, consulte la sección **Especificaciones**.

Mantenimiento del sistema de escape



ADVERTENCIA
Durante la operación, el motor y el silenciador se calientan. Si toca un motor caliente, pueden producirse quemaduras térmicas.

Los materiales combustibles, como hojas, césped y hierbas se pueden inflamar.

- Antes de tocar el motor o el silenciador, detenga el motor y espere dos (2) minutos. Asegúrese de que el motor y el silenciador se puedan tocar con seguridad.
- Quite los residuos del silenciador y del motor.

Es una infracción del Código de Recursos Públicos de California (California Public Resource Code), Sección 4442, utilizar u operar el motor en cualquier terreno forestal o cubierto por árboles o césped, a menos que el sistema de escape esté equipado con un supresor de chispas, en virtud de la Sección 4442, el cual se debe mantener en buenas condiciones de operación. Es posible que otros estados o jurisdicciones federales cuenten con leyes similares; consulte la Regulación Federal 36 CFR Sección 261.52. Póngase en contacto con el vendedor, el distribuidor o el fabricante del equipo original para obtener un extintor de chispas diseñado para el sistema de escape instalado en este motor.

Retire los residuos del área del silenciador y del cilindro. Inspeccione el silenciador en busca de grietas, corrosión u otros daños. Retire el deflector del supresor de chispas, si tiene, e inspecciones en busca de daños u obstrucciones de carbón. Si se encuentran daños, instale las piezas de repuesto antes de operar el equipo.

Cambie el aceite del motor



ADVERTENCIA
El combustible y sus vapores son inflamables y explosivos. El fuego o una explosión podrían provocar quemaduras o la muerte.

Durante la operación, el motor y el silenciador se calientan. Si toca un motor caliente, pueden producirse quemaduras térmicas.

- Si drena el aceite desde el tubo de llenado de aceite superior, el tanque de combustible debe estar vacío. Si no está vacío, puede producirse un derrame de combustible y ocasionarse un incendio o una explosión.
- Antes de tocar el motor o el silenciador, detenga el motor y espere dos (2) minutos. Asegúrese de que el motor y el silenciador se puedan tocar con seguridad.

El aceite usado es un peligroso producto de desecho y debe eliminarse correctamente. No lo descarte con los residuos domésticos. Comuníquese con sus autoridades locales, su centro de servicio o su distribuidor para conocer las instalaciones para su disposición o reciclaje seguro.

Remoción del aceite

1. Con el motor APAGADO pero aún caliente, desconecte el(los) cable(s) de bujía (D, Figura 11), y aléjelo(s) de la(s) bujía(s) (E).
2. Retire la varilla indicadora de nivel de aceite (A, Figura 12).
3. Retire el tapón para drenaje de aceite (F, Figura 13). Drene el aceite en un recipiente aprobado.
4. Instale y apriete el tapón de drenaje de aceite (F, Figura 13).

Cambio del filtro de aceite

1. Vacíe el aceite del motor. Consulte la sección **Remoción del aceite**.
2. Retire el filtro de aceite (H, Figura 14) y deseche correctamente.
3. Antes de instalar el nuevo filtro de aceite, lubrique ligeramente la empaquetadura del filtro de aceite con aceite limpio.
4. Instale manualmente el filtro de aceite hasta que el empaque haga contacto con el adaptador del filtro de aceite, luego apriete el filtro de aceite dándole de 1/2 a 3/4 de giro.
5. Agregue aceite. Consulte la sección **Agregar aceite**.
6. Arranque y opere el motor. Cuando el motor esté caliente, revise si hay fugas de aceite.
7. Detenga el motor. Asegúrese de que el nivel de aceite esté en la parte superior del indicador de lleno en la varilla indicadora de nivel de aceite. Consulte la sección **Agregar aceite**.

Agregar aceite

- Asegúrese de que el motor esté nivelado.

- Limpie todos los desechos del área de llenado de aceite.
- Consulte la sección **Especificaciones** para obtener la capacidad de aceite.

1. Retire la varilla indicadora de nivel de aceite (A, Figura 12). Quite el aceite de la varilla indicadora con un paño limpio.
2. Agregue aceite nuevo lentamente en el tubo de llenado de aceite del motor (C, Figura 12). **No llene en exceso**. Espere un minuto y compruebe el nivel de aceite.
3. Instale y ajuste la varilla indicadora de nivel de aceite (A, Figura 12).
4. Retire la varilla y revise el nivel de aceite. El nivel de aceite debe estar en la parte superior del indicador de lleno (B, Figura 12) de la varilla indicadora de nivel de aceite.
5. Instale y ajuste la varilla indicadora de nivel de aceite (A, Figura 12).
6. Conecte el(los) cable(s) de la(s) bujía(s) (D, Figura 11) a la(s) bujía(s) (E).

Mantenimiento del filtro de aire



ADVERTENCIA
Los vapores del combustible son inflamables y explosivos. El fuego o una explosión podrían provocar quemaduras o la muerte.

- No arranque y opere el motor sin el montaje de limpiador de aire (si tiene) o el filtro de aire (si tiene).

AVISO

No use aire presurizado ni solventes para limpiar el filtro. El aire presurizado podría dañar el filtro y los disolventes lo disolverán.

Véase el **Programa de mantenimiento** para conocer los requisitos de servicio.

Los diferentes modelos usarán un filtro de espuma o de papel. Algunos modelos también pueden tener un prefiltro opcional que se puede limpiar y volver a usar. Compare las ilustraciones de este manual con el tipo instalado en su motor y lleve a cabo el mantenimiento de la siguiente manera.

Filtro de aire ciclónico con filtro de seguridad

1. Abra los sujetadores (A, Figura 15) y remueva la cubierta (B).
2. Quite el filtro de aire (C, Figura 15).
3. Para aflojar los residuos, golpee ligeramente el filtro de aire sobre una superficie dura. Si el filtro de aire está sucio, reemplácelo por uno nuevo.
4. Para quitar el filtro de seguridad (D, Figura 15), si está instalado, retírelo cuidadosamente del cuerpo del filtro de aire (E). Asegúrese de que ni residuos ni suciedad se vayan hacia el motor.
5. Instale el nuevo filtro de seguridad (D, Figura 15) en el cuerpo del filtro de aire (E).
6. Instale el filtro de aire (C, Figura 15) encima del filtro de seguridad (D).
7. Instale la cubierta (B, Figura 15) y cierre los sujetadores (A).

Filtro de aire de bajo perfil

1. Retire el(los) sujetador(es) (A, Figura 16).
2. Retire la cubierta (B, Figura 16).
3. Retire el(los) sujetador(es) (C, Figura 16) y el retén (D).
4. Quite el filtro de aire (E, Figura 16).
5. Retire el prefiltro (F, Figura 16), si está instalado, del filtro de aire (E).
6. Para aflojar el material no deseado, golpee ligeramente el filtro de aire (E, Figura 16) en una superficie dura. Si el filtro de aire está sucio, reemplácelo por uno nuevo.
7. Lave el prefiltro (F, Figura 16), si está instalado, con detergente líquido y agua. Asegúrese de que el prefiltro esté completamente seco. **No** lubrique el prefiltro.
8. Monte el prefiltro seco (F, Figura 16), si está instalado, en el filtro de aire (E).
9. Instale el filtro de aire (E, Figura 16) con el retenedor (D) y el(los) sujetador(es) (C).
10. Instale la cubierta B, Figura 16) con el(los) sujetadores (A). Asegúrese de que los sujetadores estén bien ajustados.

Mantenimiento del sistema de enfriamiento



ADVERTENCIA
Durante la operación, el motor y el silenciador se calientan. Si toca un motor caliente, pueden producirse quemaduras térmicas.

Los residuos combustibles, como hojas, césped y hierbas se pueden inflamar.

- Antes de tocar el motor o el silenciador, detenga el motor y espere dos (2) minutos. Asegúrese de que el motor y el silenciador se puedan tocar con seguridad.
- Quite los residuos del silenciador y del motor.

AVISO

No use agua para limpiar el motor. El agua podría ocasionar la contaminación del sistema de combustible. Use un cepillo o un paño seco para limpiar el motor.

Este es un motor refrigerado por aire. La suciedad o los residuos pueden detener el flujo de aire y hacer que el motor se caliente demasiado, lo que provoca un rendimiento insatisfactorio y la disminución de la vida útil del motor.

1. Use un cepillo o un paño seco para quitar los residuos del área de la entrada de aire (A, Figura 17).
2. Mantenga limpias las conexiones, los muelles y los controles (B, Figuras 17, 18).
3. Mantenga el área alrededor y detrás del silenciador (C, Figuras 17, 18) libre de desechos combustibles.
4. Asegúrese de que las aletas del refrigerador de aceite (D, Figura 17) estén libres de polvo y suciedad.
5. Afloje los sujetadores (E, Figuras 17, 18) y retire los paneles de acceso a los residuos (F). Retire el césped y los residuos que se hayan acumulado en los cilindros.
6. Instale los paneles de acceso a los residuos (F, Figuras 17, 18) y sujete con sujetadores(s) (E).

Después de cierto tiempo, se pueden acumular residuos en las aletas de enfriamiento del cilindro y provocar el sobrecalentamiento del motor. Estos residuos no se pueden retirar sin desmontar parcialmente el motor. Como se recomienda en el *Plan de mantenimiento*, haga que un Distribuidor de Servicio Autorizado de Briggs & Stratton inspeccione y limpie el sistema de refrigeración por aire.

Mantenimiento del sistema de combustible



ADVERTENCIA

El combustible y sus vapores son inflamables y explosivos. El fuego o una explosión podrían provocar quemaduras o la muerte.

- Mantenga el combustible alejado de chispas, llamas abiertas, llamas piloto, calor y otras fuentes de ignición.
- Examine frecuentemente las líneas de combustible, el tanque de combustible, la tapa del combustible y las conexiones en busca de grietas o fugas. Reemplace las piezas dañadas.
- Si el combustible se derrama, espere a que se seque antes de arrancar el motor.

Filtro de combustible, si está instalado

1. Antes de reemplazar el filtro de combustible (A, Figura 19), drene el tanque de combustible o cierre la válvula de corte de combustible. Si no se vacía el depósito de combustible, pueden producirse fugas de combustible y provocar un incendio o una explosión.
2. Apriete las lengüetas (B, Figura 19) de las abrazaderas (C) con unos alicates. Aleje las abrazaderas del filtro de combustible (A).
3. Gire y tire de las líneas de combustible (D, Figura 19) del filtro de combustible.
4. Examine las líneas de combustible (D, Figura 19) en busca de grietas o fugas. Si es necesario, reemplace las líneas de combustible.
5. Reemplace el filtro de combustible (A, Figura 19).
6. Sujete las líneas de combustible (D, Figura 19) con abrazaderas (C).

Almacenamiento

Sistema de combustible

Consulte la Figura: 20.



ADVERTENCIA

El combustible y sus vapores son inflamables y explosivos. El fuego o una explosión podrían provocar quemaduras o la muerte.

Almacenamiento del combustible

- Puesto que las luces piloto u otras fuentes de ignición pueden causar explosiones, mantenga el combustible o el equipo lejos de hornos, estufas, calentadores de agua u otros aparatos que tengan luces piloto.

Mantenga el nivel del motor en la posición de operación correcta. Llene el tanque de combustible (A, Figura 20) con combustible. Por la expansión del combustible, no llene en exceso por encima del cuello del tanque de combustible (B).

El combustible puede echarse a perder si se mantiene en un contenedor de almacenamiento durante más de 30 días. Se recomienda el uso de un estabilizador de combustible sin alcohol y un tratamiento con etanol en el contenedor de almacenamiento de combustible. Esto lo mantiene fresco y disminuye los problemas relacionados con el combustible o la contaminación en el sistema de combustible.

Cuando llene el recipiente con combustible, añada un estabilizador de combustible sin alcohol según las instrucciones del fabricante. Si la gasolina del motor no ha sido

tratada con un estabilizador de combustible, debe vaciarse en un recipiente aprobado. Opere el motor hasta que se quede sin combustible.

NOTA: NO opere el motor de inyección de combustible electrónica sin combustible. Pueden producirse daños en la bomba de combustible. Asegúrese de agregar la cantidad correcta de estabilizador de combustible al depósito de combustible, y ponga en marcha el motor durante 30 minutos.

Aceite del motor

Con el motor aún caliente, cambie el aceite del motor. Consulte la sección **Cambio de aceite del motor**.

Solución de problemas

Asistencia

Si necesita asistencia, comuníquese con su distribuidor local o visite **BRIGGSandSTRATTON.COM** o llame al **1-800-444-7774** (en EE. UU.).

Especificaciones

Especificaciones y piezas de servicio

Modelos: 610000, 61A000, 61E000, 61G200, 61G300	
Cilindrada	60.60 pulg cúbicas (993 cc)
Diámetro	3.366 pulg (85,5 mm)
Carrera	3.406 pulg (86,5 mm)
Capacidad de aceite	78 - 80 oz (2,3 - 2,4 L)
Apertura de la bujía	.030 pulg (.76 mm)
Torque de la bujía	180 lb-pulg (20 Nm)
Entrehierro del inducido	.005 - .008 pulg (.13 - .20 mm)
Espacio libre de la válvula de admisión	.004 - .006 pulg (.10 - .15 mm)
Espacio libre de la válvula de escape	.007 - .009 pulg (.18 - .23 mm)

Mantenimiento de piezas - modelos: 610000, 61A000, 61E000, 61G200, 61G300	
Repuesto	Número de pieza
Filtro de aire ciclónico (Figura 13)	841497
Filtro de seguridad ciclónico (Figura 13)	821136
Filtro de aire de bajo perfil (Figura 14)	692519
Prefiltro, bajo perfil (Figura 14)	692520
Aceite - SAE 30	100028
Filtro de aceite	842921
Filtro de combustible	84001895
Bujía con resistor	491055S
Bujía de platino de larga vida	5066K
Llave para bujías	19576S
Probador de bujías	84003327

La potencia del motor disminuirá un 3,5 % por cada 1000 pies (300 metros) por encima del nivel del mar y un 1 % por cada 10 °F (5,6 °C) por encima de 77 °F (25 °C). El motor funcionará satisfactoriamente en un ángulo de hasta 25°. Consulte el Manual del operador del equipo para conocer los límites de operación seguros permitidos en pendientes.

Clasificación de potencia

La potencia nominal bruta para los modelos de motor de gasolina individuales está etiquetada conforme al código SAE (Sociedad de Ingenieros Automotrices) J1940, Procedimiento de calificación de potencia y torque para motores pequeños, y está clasificada conforme a SAE J1995. Los valores de torque se obtienen a 2600 RPM para

los motores con "rpm" indicado en la etiqueta y 3060 RPM para todos los demás. Los valores de potencia se obtienen a 3600 RPM. Las curvas de potencia bruta se pueden ver en www.BRIGGSandSTRATTON.COM. Los valores de potencia neta se obtienen con un limpiador de aire y un escape instalados, mientras que los valores de potencia bruta se recopilan sin estos aditamentos. La potencia bruta real del motor es mayor que la potencia neta del motor y depende, entre otros factores, de las condiciones ambientales de uso y de las variaciones entre los motores. Dada la amplia gama de productos donde se colocan los motores, el motor de gasolina puede no desarrollar la potencia bruta nominal cuando se usa en un equipo de potencia determinado. Esta diferencia se debe, entre otros, a los siguientes factores: variedad de componentes del motor (limpiador de aire, escape, carga, enfriamiento, carburador, bomba de combustible, etc.), limitaciones de la aplicación, condiciones ambientales de uso (temperatura, humedad, altitud) y variaciones entre los motores. Debido a limitaciones de fabricación y capacidad, Briggs & Stratton puede sustituir un motor de una potencia nominal mayor por este motor.

Garantía

Garantía para motores Briggs & Stratton®

Vigente a partir de marzo de 2023

Garantía limitada

Briggs & Stratton garantiza que, durante el periodo de garantía especificado a continuación, reparará o reemplazará, sin cargo alguno, por una pieza nueva, reacondicionada o remanufacturada, a criterio exclusivo de Briggs & Stratton, cualquier pieza defectuosa en cuanto a material, mano de obra o ambos. Los gastos de transporte del producto sometido a reparación o cambio conforme a garantía deben ser abonados por el comprador. Esta garantía se mantiene vigente durante los periodos de tiempo indicados a continuación y está sujeta a dichos periodos y a las condiciones presentadas a continuación. Para obtener servicio de garantía, encuentre el distribuidor de servicio autorizado más cercano en nuestro mapa localizador de distribuidores en BRIGGSandSTRATTON.COM. El comprador debe ponerse en contacto con el distribuidor de servicio autorizado y entregarle el producto para la inspección y prueba.

No existe ninguna otra garantía explícita. Las garantías implícitas, incluidas las de comerciabilidad y aptitud para una finalidad específica, quedan limitadas a un año a partir de la fecha de compra, o en la medida en que lo permita la ley. Quedan excluidas todas las demás garantías implícitas. La responsabilidad de daños fortuitos o consecuentes queda excluida en la medida que dicha exclusión esté permitida por ley. Algunos estados o países no contemplan limitaciones en cuanto a la duración de una garantía implícita, y otros estados o países no permiten la exclusión o limitación de daños consecuentes o incidentales, en cuyo caso la limitación y la exclusión anteriores pueden no ser aplicables a usted. Esta garantía le da derechos legales específicos, pudiendo tener a su vez otros derechos que varían de un estado a otro o de un país a otro.

Términos de la garantía estándar ^{1, 2}
Vanguard®; Serie CXi
Uso privado: 36 meses
Uso comercial: 36 meses
Serie XR
Uso privado: 24 meses
Uso comercial: 24 meses
Todos los demás motores con manga de hierro fundido Dura-Bore™
Uso privado: 24 meses
Uso comercial: 12 meses
Todos los demás motores
Uso privado: 24 meses
Uso comercial: 3 meses

¹Estos son nuestros términos estándar de garantía, pero ocasionalmente puede haber una cobertura de garantía adicional no determinada en el momento de la publicación. Para obtener una lista de los términos actuales de garantía para su motor, vaya a BRIGGSandSTRATTON.COM o comuníquese con el distribuidor de servicio autorizado de Briggs & Stratton.

²No hay garantía para los motores de los equipos usados para suministrar energía primaria en sustitución de un servicio público, los generadores de energía de emergencia para fines comerciales, los vehículos utilitarios que excedan una velocidad máxima de 25 mph, o los motores que se usan en eventos competitivos o en pistas de carreras comerciales o de alquiler.

El periodo de garantía comienza en la fecha de compra por parte del primer consumidor minorista o usuario final comercial, y continúa durante el periodo de tiempo que se indica en la tabla anterior. "Uso privado" significa uso doméstico personal por parte de un consumidor final. "Uso comercial" significa todos los demás usos, incluidos los usos con fines comerciales, de generación de ingresos o alquiler. Una vez que el motor haya experimentado uso comercial, será considerado en adelante como motor de uso comercial a los fines de esta garantía.

No es necesario registrar la garantía para obtenerla en los productos Briggs & Stratton. Guarde su recibo de comprobante de compra. Si no aporta un comprobante de la fecha de compra inicial al solicitar el servicio de garantía, se tomará la fecha de fabricación del producto para determinar el periodo de garantía.

Acerca de su garantía

Esta garantía limitada cubre únicamente problemas de materiales y/o mano de obra asociados al motor, y no la sustitución o el reembolso del equipo en el que el motor puede estar montado. El mantenimiento de rutina, la puesta a punto, los ajustes o el desgaste normal no están cubiertos bajo esta garantía. Asimismo, la garantía queda anulada si el motor ha sido alterado o modificado, o si el número de serie del motor ha sido desfigurado o eliminado. Esta garantía no cubre daños al motor o problemas de desempeño causados por:

1. El uso de piezas que no son piezas originales Briggs & Stratton;
2. El funcionamiento del motor con aceite lubricante insuficiente, contaminado o de grado incorrecto;
3. El uso de combustible contaminado o rancio, gasolina formulada con un contenido de etanol mayor al 10 %, o el uso de combustibles alternativos tales como gas licuado del petróleo o gas natural en motores no diseñados o fabricados originalmente por Briggs & Stratton para operar con tales combustibles;
4. Suciedad que ingresa al motor debido a mantenimiento o reensamblado incorrecto del limpiador de aire;
5. Golpear un objeto con la cuchilla de corte de un cortacésped rotatorio, adaptadores de la cuchilla, impulsores u otros dispositivos acoplados al cigüeñal sueltos o instalados incorrectamente, o excesiva tirantez de la correa en V;
6. Piezas o ensambles asociados, tales como embragues, transmisiones, controles de equipos, etc., no suministrados por Briggs & Stratton;
7. Sobrecalentamiento debido a recortes de hierba, suciedad y desechos, o nidos de roedores que taponan u obstruyen las aletas de refrigeración o el área de la volante, o por poner en funcionamiento el motor sin suficiente ventilación;
8. Vibración excesiva debida al exceso de velocidad, montaje flojo del motor, cuchillas o impulsores flojos o no balanceados, o acoplamiento incorrecto de los componentes del equipo al cigüeñal;
9. Uso incorrecto, falta de mantenimiento de rutina, transporte, manipulación o almacenamiento de los equipos, o instalación incorrecta del motor.

El servicio de garantía solo está disponible a través de los distribuidores de servicio autorizados de Briggs & Stratton. Ubique a su distribuidor de servicio autorizado más cercano en nuestro mapa localizador de distribuidores en BRIGGSandSTRATTON.COM o llamando al 1-800-444-7774 (en EE. UU.).

80114782 (Revisión B)

Garantía de emisiones de escape

Para obtener detalles sobre la garantía del sistema de control de emisiones de escape, contacte a su distribuidor de servicio autorizado de Briggs & Stratton para iniciar el servicio de garantía de emisiones de escape o refiérase a la declaración de garantía del sistema de control de emisiones por evaporación que se encuentra en BRIGGSandSTRATTON.com. La garantía se puede encontrar tecleando "Garantía de emisiones" en la sección de preguntas frecuentes o llamando al 1-800-444-7774.

Renseignements généraux



Ce manuel contient des consignes de sécurité portant sur les dangers et risques connexes au moteur et comment les prévenir. Il contient également le fonctionnement et l'entretien adéquat de ce moteur. Il est important de lire, de comprendre et de respecter ces instructions. **Conserver ce manuel à des fins de référence.**

REMARQUE : Les figures et illustrations dans ce manuel sont fournies à titre éducatif et peuvent différer de votre modèle. Utiliser les figures qui correspondent à la configuration de votre moteur. Au besoin, parler avec un détaillant autorisé de service.

Noter la date d'achat, le modèle de moteur, le type, la garniture et le numéro de série du moteur. Ces numéros se trouvent sur votre moteur. Consulter la section **Caractéristiques et commandes.**

Date d'achat	
Modèle du moteur - Type - Garniture	
Numéro de série du moteur	

Coordonnées du contact du bureau européen

Pour des questions liées aux émissions européennes, communiquer avec notre bureau européen à:

Max-Born-Straße 2, 68519 Viernheim, Allemagne.

Union européenne (UE) Phase V (5) : Valeurs de dioxyde de carbone (CO2)

Entrer CO2 dans la fenêtre de recherche sur BriggsandStratton.com pour trouver les valeurs de dioxyde de carbone des moteurs de Briggs & Stratton ayant un certificat d'approbation de la UE.

Information sur le recyclage

		Recycler tous les emballages, les boîtes, les huiles usées et les batteries, tel que spécifié par les réglementations gouvernementales.
--	--	-----------------------------------------------------------------------------------------------------------------------------------------

Sécurité de l'utilisateur

Symbole d'alerte de sécurité et mots de signal



Le symbole d'alerte de sécurité identifie l'information de sécurité relative aux dangers qui pourraient causer des blessures. Un mot de signalisation (**DANGER**, **AVERTISSEMENT** ou **ATTENTION**) est utilisé pour indiquer la possibilité et la gravité des blessures potentielles. En plus, un symbole de danger est utilisé pour représenter un type de danger.

DANGER indique un danger qui, si non évité, **provoquera** la mort ou des blessures graves.

AVERTISSEMENT indique un danger qui, si non évité, **pourrait** causer la mort ou des blessures graves.

ATTENTION indique un danger qui, si non évité, **pourrait** causer une blessure mineure ou modérée.

AVIS indique des informations considérées importantes, mais non liées aux dangers.

Renseignements et symboles de risque

	Information de sécurité au sujet des dangers qui peuvent causer des blessures corporelles.		Lire et assimiler le Manuel d'utilisation avant de faire fonctionner ou d'entretenir l'unité.
	Risque d'incendie		Risque d'explosion
	Risque de choc électrique		Risque de vapeurs toxiques

	Risque de surface chaude		Risque de rebond
	Risque d'amputation – pièces mobiles		Niveau de carburant – maximum Ne pas trop remplir

Messages de sécurité



AVERTISSEMENT

Ce produit peut vous exposer à des agents chimiques, y compris les échappements des moteurs à essence, connus dans l'État de la Californie pour causer le cancer, et le monoxyde de carbone, connu dans l'État de la Californie pour causer des malformations congénitales ou les dommages à l'appareil reproducteur. Pour obtenir de plus amples renseignements, visitez le www.P65Warnings.ca.gov.



AVERTISSEMENT

Les moteurs Briggs & Stratton® ne sont pas conçus et ne doivent pas être utilisés pour propulser des « fun-karts »; « go-karts »; véhicules récréationnels pour enfants ou sportifs/tous-terrains (VTT); motocyclettes; aéroglisseur, avionet ou véhicules utilisés pour compétitions non sanctionnées par Briggs & Stratton. Pour plus d'information à propos des produits pour courses, visiter www.briggsracing.com. Pour l'utilisation avec des véhicules utilitaires ou VTT pour passagers côte à côte, communiquer avec le Centre d'application électrique de Briggs & Stratton au 1-866-927-3349. Une utilisation inappropriée du moteur pourrait causer des blessures graves ou mortelles.



AVERTISSEMENT

Le carburant et ses vapeurs sont inflammables et explosives. Un incendie ou une explosion pourrait causer des brûlures graves voire la mort.

Lors de l'ajout de carburant

- Arrêter le moteur. Lorsque vous retirez le bouchon de carburant, attendre au moins deux (2) minutes pour s'assurer que le moteur est froid.
- Remplir le réservoir de carburant à l'extérieur ou à un endroit avec une bonne circulation d'air.
- Ne pas mettre trop de carburant dans le réservoir. Pour l'expansion du carburant, ne pas remplir au-dessus du goulot du réservoir de carburant.
- Garder le carburant loin des étincelles, des flammes nues, des veilleuses, de la chaleur et des autres sources d'inflammation.
- Examiner régulièrement les conduites de carburant, le réservoir de carburant, le bouchon de carburant et les raccords pour détecter toute fissure ou fuite. Remplacer les pièces endommagées.
- Si le carburant se renverse, attendre jusqu'à ce qu'il sèche avant de démarrer le moteur.

Lors du démarrage du moteur

- Veiller à ce que la bougie d'allumage, le silencieux, le bouchon de carburant et le filtre à air (le cas échéant) soient correctement installés.
- Lorsque la bougie d'allumage est enlevée, ne pas mettre le moteur en marche.
- Si le moteur est noyé, régler le étrangleur (le cas échéant) à la position OUVERT ou MARCHE. Déplacer la manette des gaz (le cas échéant) à la position RAPIDE et faire tourner le moteur jusqu'à ce qu'il démarre.
- S'il y a une fuite de gaz naturel ou PL dans l'endroit où vous êtes, ne pas démarrer le moteur.
- Ne pas utiliser de fluides sous pression car les vapeurs sont inflammables.

Lors de l'utilisation de l'équipement

- Ne pas incliner le moteur ou l'équipement à un angle qui risquerait de faire couler du carburant.
- Ne pas étrangler le carburateur (le cas échéant) pour arrêter le moteur.
- Ne pas démarrer ou faire fonctionner le moteur lorsque l'épurateur d'air (le cas échéant) ou le filtre à air (le cas échéant) est enlevé.

Lors de l'entretien

- Si la vidange de l'huile est faite par le tube de remplissage du haut, le réservoir de carburant doit être vide. Si le réservoir n'est pas vide, une fuite de carburant peut se produire et pourrait causer un incendie ou une explosion.
- Durant l'entretien, s'il est nécessaire d'incliner l'appareil, s'assurer que le réservoir de carburant, si monté sur le moteur, est vide et que le côté bougie se trouve en haut. Si le réservoir de carburant n'est pas vide, une fuite peut se produire et pourrait causer un incendie ou une explosion.

- Examiner régulièrement les conduites de carburant, le réservoir de carburant, le bouchon de carburant et les raccords pour détecter toute fissure ou fuite. Remplacer les pièces endommagées.
- Ne pas modifier le ressort du régulateur, la tringlerie ni aucune autre pièce pour augmenter le régime du moteur.
- Ne pas frapper le volant-moteur avec un marteau ni un objet dur. Cela pourrait se traduire par une défaillance du volant-moteur durant le fonctionnement.
- Les pièces de rechange doivent être de la même conception et installées dans la même position que les pièces d'origine. D'autres pièces pourraient causer des dommages ou une blessure.

Lors du changement d'emplacement de l'équipement

- S'assurer que le réservoir de carburant est VIDE et que le robinet d'arrêt de carburant est à la position FERMÉ.

Lorsque le carburant ou l'équipement est entreposé avec du carburant dans le réservoir de carburant

- Puisque les veilleuses et autres sources d'allumage peuvent causer des explosions, garder le carburant ou l'équipement loin des fournaises, des poêles, des chauffe-eaux ou autres appareils ayant des veilleuses.



AVERTISSEMENT

Le carburant et ses vapeurs sont inflammables et explosives. Un incendie ou une explosion pourrait causer des brûlures graves voire la mort.

Le démarrage du moteur produit des étincelles qui pourraient entraîner un incendie ou une explosion.

- S'il y a une fuite de gaz naturel ou PL dans l'endroit où vous êtes, ne pas démarrer le moteur.
- Ne pas utiliser de fluides sous pression car les vapeurs sont inflammables.



AVERTISSEMENT

RISQUE LIÉ AUX GAZ TOXIQUES. Les gaz d'échappement du moteur contiennent du monoxyde de carbone, un gaz toxique pouvant provoquer la mort en quelques minutes. Même si vous ne sentez pas de vapeurs d'échappement, vous pourriez quand même être exposé(e) au dangereux gaz de monoxyde de carbone. Si vous vous sentez malade, étourdi ou faible en utilisant ce produit, sortez au grand air IMMÉDIATEMENT. Voir un médecin. Vous pourriez être intoxiqué(e) par le monoxyde de carbone.

- Le gaz de monoxyde de carbone peut s'accumuler dans les espaces occupés. Pour réduire le risque d'accumulation de gaz de monoxyde de carbone, utiliser ce produit UNIQUEMENT à l'extérieur et à l'écart des fenêtres, portes et événements.
- Installer des avertisseurs de monoxyde de carbone fonctionnant à piles ou alimentés par câble avec batterie de secours, conformément aux directives du fabricant. Les détecteurs de fumée ne peuvent pas détecter le monoxyde de carbone.
- NE PAS utiliser ce produit dans les maisons, garages, sous-sol, vides sanitaires, ou autres espaces partiellement clos, même si des ventilateurs sont utilisés ou des portes et fenêtres sont laissées ouvertes pour de la ventilation. Après l'utilisation de ce produit, le monoxyde de carbone peut rapidement s'accumuler dans ces espaces et y rester pendant des heures.
- TOUJOURS mettre ce produit dans le sens du vent et diriger l'échappement du moteur à l'opposé des espaces occupés.



AVERTISSEMENT

Une rétraction rapide du cordon du démarreur (effet de rebond) a pour effet de tirer votre main et votre bras en direction du moteur plus rapidement qu'il n'est possible de le lâcher, ce qui pourrait provoquer des fêlures, des fractures osseuses, des contusions ou des entorses.

- Pour empêcher les rebonds lors du démarrage du moteur, tirer le cordon du démarreur lentement jusqu'à ce qu'une résistance soit ressentie, puis tirer rapidement.
- Avant de démarrer le moteur, débrancher ou retirer tout équipement et charge externe.
- S'assurer que les accessoires directement accouplés à la machine tels que, sans toutefois s'y limiter, les lames, roues de pompe, poulies et roues dentées, sont fixés de façon sécuritaire.



AVERTISSEMENT

Les pièces rotatives peuvent enrouler les mains, les pieds, les cheveux, les vêtements ou les accessoires et entraîner une amputation traumatique ou une lacération.

- Faire fonctionner la machine avec les gardes correctement installés.
- Tenir les mains et les pieds à l'écart des lames rotatives.
- Enlever les bijoux et s'assurer que les cheveux longs sont éloignés de toutes les pièces rotatives.
- Ne pas porter de vêtements amples ou d'articles qui pourraient se prendre dans la machine.



AVERTISSEMENT

Lors de la mise en marche, le moteur et le silencieux deviennent chauds. Si vous touchez un moteur chaud, des brûlures thermiques peuvent survenir.

Les matières combustibles telles que les feuilles, le gazon et les broussailles, peuvent s'enflammer.

- Avant de toucher le moteur ou le silencieux, arrêter le moteur et attendre deux (2) minutes. S'assurer que le moteur et le silencieux peuvent être touchés sans risque.
- Enlever les débris se trouvant à proximité du silencieux et du moteur.

L'utilisation ou le fonctionnement du moteur sur des terrains forestiers, broussailleux ou herbeux constituent une violation de la Section 4442 du Code des ressources publiques de Californie (California Public Resource Code), à moins que le système d'échappement ne soit équipé d'un pare-étincelles, comme le définit la Section 4442, maintenu en bon état de marche. D'autres États ou juridictions fédérales peuvent avoir des lois similaires; consulter le Règlement fédéral 36 CFR, section 261.52. Communiquez avec le fabricant, le détaillant ou le revendeur d'origine de l'équipement pour obtenir un pare-étincelles conçu pour le système d'échappement installé sur ce moteur.



AVERTISSEMENT

Une étincelle de moteur accidentelle peut causer un choc électrique ou une explosion provoquant un étranglement, une amputation traumatique ou une lacération.

Avant de faire des ajustements ou des réparations :

- Débrancher tous les câbles de bougie et les garder à l'écart des bougies.
- Débrancher le câble de batterie à la borne négative de la batterie (uniquement sur les moteurs avec démarrage électrique).
- Utiliser uniquement les outils appropriés.

Quand vous vérifiez s'il y a étincelle :

- Utiliser un vérificateur de bougies d'allumage approuvé.
- Ne pas vérifier s'il y a étincelle lorsque la bougie est enlevée.



AVERTISSEMENT

Les vapeurs de carburant sont inflammables et explosives. Un incendie ou une explosion pourrait causer des brûlures graves voire la mort.

S'il y a odeur de gaz

- Ne pas démarrer le moteur.
- Ne pas mettre en marche les commutateurs électriques.
- Ne pas se servir d'un téléphone à proximité.
- Évacuez la zone.
- Contacter le fournisseur de gaz ou le service d'incendie.

Caractéristiques et commandes

Commandes du moteur









Comparer les lettres des Figures 1, 2, 3 et 4 aux commandes du moteur dans la liste qui suit :

- Numéros d'identification du moteur **Modèle - Type - Code**
- Bougie
- Filtre à air à effet cyclone
- Filtre à air à profil bas
- Jauge
- Ouverture de remplissage d'huile
- Filtre à huile
- Bouchon de vidange d'huile

- I. Capteur de pression d'huile
- J. Protège-doigts
- K. Démarreur électrique
- L. Solénoïde du démarreur
- M. Régulateur/correcteur
- N. Carburateur - Modèles de carburateurs
- O. Refroidisseur d'huile (si installé)
- P. Silencieux (si installé)
- Q. Pompe à carburant
- R. Interrupteur de démarreur¹
- S. Manette des gaz¹
- T. Commande d'étrangleur (modèles à carburateur¹)
- U. Filtre à carburant
- V. Tachymètre (si installé)

¹ Certains moteurs et équipements sont munis de commandes à distance. Pour connaître l'emplacement et le fonctionnement des commandes à distance, consulter le manuel de l'équipement.

Symboles de commande du moteur et significations

 Vitesse du moteur – RAPIDE	 Vitesse du moteur – LENT
 Vitesse du moteur – ARRÊT	 MARCHE - ARRÊT
 Démarrage du moteur Étrangleur FERMÉ	 Démarrage du moteur Étrangleur OUVERT
 Bouchon du réservoir de carburant Robinet d'alimentation de carburant OUVERT	 Robinet d'alimentation de carburant FERMÉ

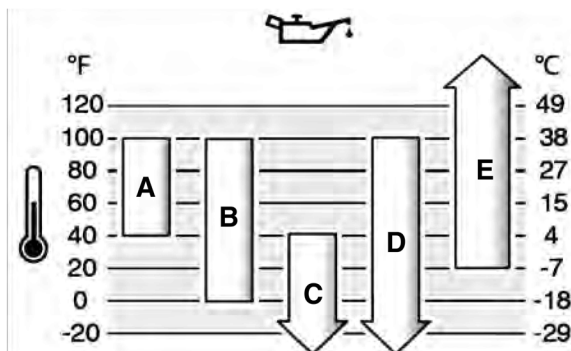
Utilisation

Recommandations relatives à l'huile

Volume maximal d'huile : Se reporter à la section *Spécifications*.

Nous recommandons l'utilisation d'huiles certifiées par garantie Briggs & Stratton® pour les meilleures performances. D'autres huiles détergentes de haute qualité sont acceptables si classées pour service SF, SG, SH, SJ ou supérieure. Ne pas utiliser d'additifs spéciaux.

Utiliser le tableau pour sélectionner la meilleure viscosité pour la plage de températures extérieures prévues. Les moteurs sur la plupart des équipements motorisés d'extérieur fonctionnent bien avec l'huile synthétique 5W-30. Pour l'équipement fonctionnant à haute température, l'huile synthétique 15W-50 de Vanguard® offre la meilleure protection.



A	SAE 30 - En dessous de 40 °F (4 °C), l'utilisation de SAE 30 causera une difficulté de mise en marche.
----------	---------------------------------------------------------------------------------------------------------------

B	10W-30 - Au-dessus de 80 °F (27 °C), l'utilisation de 10W-30 peut causer une augmentation de la consommation d'huile. Vérifier régulièrement le niveau d'huile.
C	5W-30
D	Synthétique 5W-30
E	Synthétique 15W-50 de Vanguard®

Vérifier le niveau d'huile.

Avant la vérification et l'ajout d'huile

- S'assurer que la machine est nivelée.
- Débarrasser de tout débris la zone de remplissage d'huile.
- Consulter la section *Spécifications* pour le volume maximal d'huile.

AVIS

Ce moteur a été livré par Briggs & Stratton sans huile. Les fabricants d'équipement ou concessionnaires pourraient avoir ajouté de l'huile au moteur. Avant de démarrer le moteur pour la première fois, s'assurer que l'huile est au niveau approprié. Ajouter de l'huile, conformément aux instructions dans le présent manuel. Si le moteur est démarré sans huile, des dommages se produiront et le moteur ne sera pas réparé aux termes de la garantie.

1. Retirer la jauge à huile (A, Figure 5) et l'essuyer avec un chiffon.
2. Replacer et serrer le bouchon-jauge (A, Figure 5).
3. Sortir la jauge et vérifier le niveau d'huile. Confirmer que le niveau d'huile est au-dessus de la marque du haut de la jauge (B, Figure 5).
4. Si le niveau d'huile est bas, verser l'huile lentement dans le tube de remplissage du moteur (C, Figure 5). Ne pas ajouter trop d'huile.
5. Attendre une minute, puis vérifier à nouveau le niveau d'huile. S'assurer que le niveau d'huile est approprié.
6. Replacer et serrer le bouchon-jauge (A, Figure 5).

Système de protection pour le bas niveau d'huile (si installé)

Un détecteur de niveau bas d'huile est installé sur certains moteurs. Si le niveau d'huile est bas, le détecteur affichera un voyant d'avertissement ou arrêtera le moteur. Arrêter le moteur et suivre les étapes ci-après avant de démarrer le moteur.

- S'assurer que la machine est de niveau.
- Vérifier l'huile. Consulter la section *Vérifier le niveau d'huile*.
- Si le niveau d'huile est bas, ajouter la quantité d'huile appropriée. Démarrer le moteur et s'assurer que le voyant d'avertissement (si installé) ne s'allume pas.
- Si le niveau d'huile n'est pas bas, ne pas démarrer le moteur. Contacter un détaillant autorisé de service de Briggs & Stratton pour corriger le problème d'huile.

Recommandations de carburant

Le carburant doit répondre aux critères suivants :

- Essence sans plomb neuve et propre.
- Au minimum 87 octanes/87 AKI (91 RON). Utilisation en haute altitude, voir ci-dessous.
- De l'essence avec jusqu'à 10 % d'éthanol (alco-essence) est permise.

AVIS

Ne pas utiliser d'essence non approuvée telle que E15 et E85. Ne pas mélanger de l'huile avec de l'essence ni modifier le moteur afin de pouvoir utiliser des carburants alternatifs. L'utilisation de carburants non approuvés pourrait endommager les composants du moteur, qui ne seront pas réparés aux termes de la garantie.

Pour protéger le système de carburant de la gomme et de la corrosion, mélanger un stabilisateur de carburant sans alcool et un traitement à base d'éthanol dans le carburant. Consulter la section *Entreposage*. Tous les carburants ne sont pas identiques. Si des problèmes de démarrage ou de performance se produisent, changer de fournisseur ou de marque de carburant. Ce moteur est certifié pour fonctionner à l'essence. Le système de contrôle des émissions pour les moteurs à carburateur est EM (Modifications du moteur). Les systèmes de contrôle des émissions pour les moteurs à système d'injection électronique est ECM (module de gestion du moteur), MPI (injection multiport), TBI (injection de carburant dans le corps de la manette des gaz) et, le cas échéant, O2S (capteur d'oxygène).

Haute altitude

Aux altitudes supérieures à 5 000 pieds (1 524 mètres), du carburant à octane minimum de 85/85 AKI (89 RON) est permis.

Pour les moteurs carburés, un réglage pour les hautes altitudes est requis pour maintenir la performance. Faire fonctionner le moteur sans ce réglage donnera lieu à une performance réduite, une consommation de carburant supérieure et une augmentation des émissions. Consulter un détaillant autorisé de service Briggs & Stratton pour avoir des informations sur les ajustements de haute altitude. Il n'est pas recommandé de faire fonctionner le moteur à une altitude inférieure à 2 500 pieds (762 mètres) avec l'ajustement de haute altitude.

Pour les moteurs à système d'injection de carburant électronique (EFI), aucun ajustement de haute altitude est nécessaire.

Ajouter le carburant



AVERTISSEMENT

Le carburant et ses vapeurs sont inflammables et explosives. Un incendie ou une explosion pourrait causer des brûlures graves voire la mort.

Lors de l'ajout de carburant

- Arrêter le moteur. Lorsque vous retirez le bouchon de carburant, attendre au moins deux (2) minutes pour s'assurer que le moteur est froid.
 - Remplir le réservoir de carburant à l'extérieur ou à un endroit avec une bonne circulation d'air.
 - Ne pas mettre trop de carburant dans le réservoir. Pour l'expansion du carburant, ne pas remplir au-dessus du goulot du réservoir de carburant.
 - Garder le carburant loin des étincelles, des flammes nues, des veilleuses, de la chaleur et des autres sources d'inflammation.
 - Examiner régulièrement les conduites de carburant, le réservoir de carburant, le bouchon de carburant et les raccords pour détecter toute fissure ou fuite. Remplacer les pièces endommagées.
 - Si le carburant se renverse, attendre jusqu'à ce qu'il sèche avant de démarrer le moteur.
1. Nettoyer la zone autour du bouchon de réservoir en enlevant toute la poussière et les débris. Retirer le bouchon de carburant.
 2. Remplir le réservoir de carburant (A, Figure 6) de carburant. Puisque le carburant prendra de l'expansion, ne pas remplir au-dessus de la base du col du réservoir de carburant (B).
 3. Replacer le bouchon du réservoir de carburant.

Démarrage et arrêt du moteur



AVERTISSEMENT

Une rétraction rapide du cordon du démarreur (effet de rebond) a pour effet de tirer votre main et votre bras en direction du moteur plus rapidement qu'il n'est possible de le lâcher, ce qui pourrait provoquer des fêlures, des fractures osseuses, des contusions ou des entorses.

- Pour empêcher les rebonds lors du démarrage du moteur, tirer le cordon du démarreur lentement jusqu'à ce qu'une résistance soit ressentie, puis tirer rapidement.
- Avant de démarrer le moteur, débrancher ou retirer tout équipement et charge externe.
- S'assurer que les accessoires directement accouplés à la machine tels que, sans toutefois s'y limiter, les lames, roues de pompe, poulies et roues dentées, sont fixés de façon sécuritaire.



AVERTISSEMENT

Le carburant et ses vapeurs sont inflammables et explosives. Un incendie ou une explosion pourrait causer des brûlures graves voire la mort.

Lors du démarrage du moteur

- Veiller à ce que la bougie d'allumage, le silencieux, le bouchon de carburant et le filtre à air (le cas échéant) soient correctement installés.
- Lorsque la bougie d'allumage est enlevée, ne pas mettre le moteur en marche.
- Si le moteur est noyé, régler le étrangleur (le cas échéant) à la position OUVERT ou MARCHE. Déplacer la manette des gaz (le cas échéant) à la position RAPIDE et faire tourner le moteur jusqu'à ce qu'il démarre.
- S'il y a une fuite de gaz naturel ou PL dans l'endroit où vous êtes, ne pas démarrer le moteur.
- Ne pas utiliser de fluides sous pression car les vapeurs sont inflammables.



AVERTISSEMENT

RISQUE LIÉ AUX GAZ TOXIQUES. Les gaz d'échappement du moteur contiennent du monoxyde de carbone, un gaz toxique pouvant provoquer la mort en quelques minutes. Même si vous ne sentez pas de vapeurs d'échappement, vous pourriez quand même être exposé(e) au dangereux gaz de monoxyde de carbone. Si vous vous sentez malade, étourdi ou faible en utilisant ce produit, sortez au grand air IMMÉDIATEMENT. Voir un médecin. Vous pourriez être intoxiqué(e) par le monoxyde de carbone.

- Le gaz de monoxyde de carbone peut s'accumuler dans les espaces occupés. Pour réduire le risque d'accumulation de gaz de monoxyde de carbone, utiliser ce produit UNIQUEMENT à l'extérieur et à l'écart des fenêtres, portes et événements.
- Installer des avertisseurs de monoxyde de carbone fonctionnant à piles ou alimentés par câble avec batterie de secours, conformément aux directives du fabricant. Les détecteurs de fumée ne peuvent pas détecter le monoxyde de carbone.
- NE PAS utiliser ce produit dans les maisons, garages, sous-sol, vides sanitaires, ou autres espaces partiellement clos, même si des ventilateurs sont utilisés ou des portes et fenêtres sont laissées ouvertes pour de la ventilation. Après l'utilisation de ce produit, le monoxyde de carbone peut rapidement s'accumuler dans ces espaces et y rester pendant des heures.
- TOUJOURS mettre ce produit dans le sens du vent et diriger l'échappement du moteur à l'opposé des espaces occupés.

AVIS

Ce moteur a été livré par Briggs & Stratton sans huile. Les fabricants d'équipement ou concessionnaires pourraient avoir ajouté de l'huile au moteur. Avant de démarrer le moteur pour la première fois, s'assurer que l'huile est au niveau approprié. Ajouter de l'huile, conformément aux instructions dans le présent manuel. Si le moteur est démarré sans huile, des dommages se produiront et le moteur ne sera pas réparé aux termes de la garantie.

Types de systèmes de démarrage

Avant de démarrer le moteur, vous devez connaître le type du système de démarrage sur votre moteur. Votre moteur possède un de ces types.

- **Système d'injection électronique (EFI) :** Ce système ne comporte pas d'étrangleur ni d'amorceur.
- **Système d'étrangleur :** Ce type de système dispose d'un étrangleur qui doit être utilisé par temps froid. Certains modèles comportent une commande d'étrangleur, mais d'autres modèles comportent une commande combinée d'étrangleur et de manette des gaz. Il n'utilise pas d'enrichissement de carburant comme moyen d'aide au démarrage.

REMARQUE : Votre équipement pourrait être muni de commandes à distance. Pour localiser et utiliser les commandes à distance, consulter le manuel de la machine.

Système d'injection de carburant électronique (EFI)

1. Contrôlez le niveau d'huile du moteur. Voir la rubrique **Contrôle du niveau d'huile**.
2. S'assurer que les commandes d'entraînement de l'équipement, si installées, sont débrayées.
3. Tourner le robinet de carburant (A, Figure 7), si installé, à la position OUVERT.
4. Déplacer la manette des gaz (B, Figure 7), si installé, à la position RAPIDE. Faites fonctionner le moteur sur la position RAPIDE.

REMARQUE : Pour les modèles dotés d'un accélérateur à commande électronique, l'accélérateur peut être dans n'importe quelle position lors du démarrage du moteur.

5. Mettre le contact (D, Figure 7) en position MARCHE ou DÉMARRER.

AVIS Pour prolonger la durée de vie du démarreur, utiliser des cycles de démarrage courts (cinq secondes maximum). Attendre une minute entre les cycles de démarrage.

Si le moteur ne démarre pas après 3 ou 4 tentatives, communiquer avec un détaillant local, visiter BRIGGSandSTRATTON.COM ou composer le 1-800-444-7774 (aux USA).

Système d'étranglement

1. Contrôlez le niveau d'huile du moteur. Voir la rubrique **Contrôle du niveau d'huile**.
2. S'assurer que les commandes d'entraînement de l'équipement, si installées, sont débrayées.
3. Tourner le robinet de carburant (A, Figure 8), si installé, à la position OUVERT.
4. Déplacer le levier de commande du régime moteur (B, Figure 8), si installé, à la position RAPIDE. Faites fonctionner le moteur sur la position RAPIDE.
5. Déplacer la commande d'étranglement (C, Figure 8) ou de commande combinée étranglement et manette des gaz (B, C) à la position FERMÉ.

REMARQUE : Pour démarrer le moteur dont la conduite d'alimentation de carburant est à sec, plus de révolutions de lancement dans la position étrangleur seront nécessaires. Ceci permettra l'amorçage de la pompe d'alimentation.

6. Mettre le commutateur à clé (D, Figure 8) à la position MARCHE ou DÉMARRER.

- Si le moteur se met en marche puis s'arrête, déplacer la manette de l'étrangleur (C, Figure 8) à la position OUVERT pour démarrer le moteur.

AVIS Pour prolonger la durée de vie du démarreur, utiliser des cycles de démarrage courts (cinq secondes maximum). Attendre une minute entre les cycles de démarrage.

- Au fur et à mesure que le moteur se réchauffe, déplacer la commande d'étranglement (C, Figure 8) à la position OUVERT.

REMARQUE : Si le moteur ne démarre pas, communiquer avec votre concessionnaire local, ou aller à vanguardpower.com ou encore composer le **1-800-999-9333** (aux É.-U.).

Arrêter le moteur



AVERTISSEMENT

Le carburant et ses vapeurs sont inflammables et explosives. Un incendie ou une explosion pourrait causer des brûlures graves voire la mort.

- Ne pas étrangler le carburateur (le cas échéant) pour arrêter le moteur.
- Désengager les commandes de l'équipement. Pour la localisation et le fonctionnement des commandes à distance, consultez le manuel de la machine.
 - Déplacer la manette des gaz (B, Figure 9), si installé, à la position LENT.
 - Mettre le commutateur à clé (D, Figure 9) à la position de marche ARRÊT ou ARRÊTER. Retirer la clé et la conserver dans un endroit sécuritaire hors de la portée des enfants.
 - Avec la manette des gaz en position de vitesse LENT, tourner le commutateur de démarrage électrique (D, Figure 9) à la position ARRÊT. Retirer la clé. La conserver dans un endroit sécuritaire hors de la portée des enfants.
 - Après l'arrêt du moteur, tourner le robinet de carburant (A, Figure 9), si installé, à la position FERMÉ.

Entretien

Information sur l'entretien



AVERTISSEMENT

Le carburant et ses vapeurs sont inflammables et explosives. Un incendie ou une explosion pourrait causer des brûlures graves voire la mort.

Durant l'entretien, s'il est nécessaire d'incliner l'appareil, s'assurer que le réservoir de carburant, si monté sur le moteur, est vide et que le côté bougie se trouve en haut. Si le réservoir de carburant n'est pas vide, une fuite peut se produire et provoquer un incendie ou une explosion. Si le moteur est incliné dans une différente direction, il ne se mettra pas en marche facilement en raison de la contamination de l'huile ou du carburant du filtre à air ou de la bougie.



AVERTISSEMENT

Une étincelle de moteur accidentelle peut causer un choc électrique ou une explosion provoquant un étranglement, une amputation traumatique ou une lacération.

Avant de faire des ajustements ou des réparations :

- Débrancher tous les câbles de bougie et les garder à l'écart des bougies.
- Débrancher le câble de batterie à la borne négative de la batterie (uniquement sur les moteurs avec démarrage électrique).
- Utiliser uniquement les outils appropriés.

Quand vous vérifiez s'il y a étincelle :

- Utiliser un vérificateur de bougies d'allumage approuvé.
- Ne pas vérifier s'il y a étincelle lorsque la bougie est enlevée.



AVERTISSEMENT

Tous les composants utilisés pour assembler ce moteur doivent rester dans leur position initiale pour qu'il fonctionne bien. Il peut y avoir dommages ou blessures si vous utilisez les mauvaises pièces ou que vous ne remplacez pas toutes les pièces du moteur.

- Les pièces de rechange doivent être de la même conception et installées dans la même position que les pièces initiales.
- S'ils sont installés, ne pas modifier le ressort du régulateur, la tringlerie ni aucune autre pièce pour augmenter le régime du moteur.

Consulter un détaillant autorisé de service Briggs & Stratton pour tout entretien et toute réparation du moteur et des pièces de moteur.

Service de contrôle des émissions

Pour l'entretien, le remplacement ou la réparation des dispositifs et systèmes de contrôle des émissions, communiquer avec un établissement de réparations de

moteur hors route ou un technicien d'entretien qualifié. Cependant, pour un service après-vente « gratuit » du contrôle des émissions, le travail doit être effectué par un détaillant autorisé de l'usine. Consulter les énoncés sur le contrôle des émissions.

Calendrier d'entretien

Aux intervalles de 8 heures ou quotidiennement
<ul style="list-style-type: none"> Vérifier le niveau d'huile moteur. Nettoyer la région autour des commandes et du silencieux.
Toutes les 100 heures de fonctionnement ou annuellement
<ul style="list-style-type: none"> Nettoyer ou remplacer le filtre à air^{1, 2}. Nettoyer le pré-filtre (si installé)¹. Changer l'huile moteur et le filtre à l'huile. Remplacer le filtre à huile (si installé). Remplacer les bougies d'allumage. Vérifier le silencieux et le pare-étincelles (si installé). Service du système d'échappement.
Toutes les 250 heures de fonctionnement ou annuellement
<ul style="list-style-type: none"> Vérifier le jeu des soupapes. Ajuster si nécessaire.
Toutes les 400 heures de fonctionnement ou annuellement
<ul style="list-style-type: none"> Changer le filtre à air². Remplacer le filtre à carburant (si installé). Effectuer l'entretien du système à refroidissement par air¹. Nettoyer les ailettes de refroidissement d'huile¹.
Toutes les 600 heures de fonctionnement
<ul style="list-style-type: none"> Remplacer le filtre de sécurité, si installé.

¹ Nettoyer plus souvent dans des conditions poussiéreuses ou lorsque beaucoup de particules se trouvent dans l'air.

² Remplacer le filtre de sécurité intérieur (si installé) tous les trois changements du filtre à air.

Système d'injection de carburant électronique (EFI)

Le système EFI répond à la température du moteur, à son régime et à la tension de la batterie pour le démarrage et la période de réchauffement. Il n'y a aucun réglage sur le système. Si des problèmes de démarrage ou de fonctionnement surviennent, consulter un détaillant autorisé de service Briggs & Stratton.

AVIS S'assurer de suivre la procédure ci-dessous, sans quoi le système EFI pourrait être endommagé.

- NE PAS démarrer le moteur si les branchements des câbles de la batterie sont desserrés.
- Mettre le contacteur en position ARRÊT avant de débrancher, de retirer ou d'installer la batterie.
- NE PAS démarrer le moteur avec un chargeur à batterie.
- NE PAS débrancher les câbles de la batterie lorsque le moteur fonctionne.
- Pour le raccordement de la batterie, brancher d'abord le câble positif (+) et ensuite le câble négatif (-).
- Pour recharger la batterie, placer le contact à la position ARRÊT et retirer le câble négatif (-) de son raccord.
- NE PAS exposer directement le module de commande électronique à de l'eau.

Vitesse du carburateur et du moteur

Ne pas faire de réglages au carburateur, au ressort du régulateur, à la tringlerie ou à d'autres pièces pour ajuster la vitesse du moteur. Si des réglages sont nécessaires, consulter un détaillant autorisé de service de Briggs & Stratton pour un entretien.

AVIS

Le fabricant de l'équipement spécifie la vitesse maximale du moteur, tel qu'installé sur l'équipement. Ne pas dépasser cette vitesse. Si vous n'êtes pas certain(e) de la vitesse maximale de la machine ou de la vitesse à laquelle le moteur est réglé par défaut, communiquer avec un détaillant autorisé de service de Briggs & Stratton pour obtenir de l'aide. Pour un fonctionnement adéquat et sécuritaire de l'équipement, la vitesse du moteur devrait uniquement être ajustée par un technicien d'entretien qualifié.

Entretien de la bougie d'allumage

Vérifier l'écartement des électrodes (A, Figure 10) avec le calibre du fil (B). Au besoin, définir l'écartement des électrodes. Installer et serrer la bougie au couple correct. Pour les spécifications en matière d'écartement et de couple, voir la section **Spécifications**.

Entretien du système d'échappement



AVERTISSEMENT

Lors de la mise en marche, le moteur et le silencieux deviennent chauds. Si vous touchez un moteur chaud, des brûlures thermiques peuvent survenir.

Les matières combustibles telles que les feuilles, le gazon et les broussailles, peuvent s'enflammer.

- Avant de toucher le moteur ou le silencieux, arrêter le moteur et attendre deux (2) minutes. S'assurer que le moteur et le silencieux peuvent être touchés sans risque.
- Enlever les débris se trouvant à proximité du silencieux et du moteur.

L'utilisation ou le fonctionnement du moteur sur des terrains forestiers, broussailloux ou herbeux constitue une violation de la Section 4442 du Code des ressources publiques de Californie (California Public Resource Code), à moins que le système d'échappement ne soit équipé d'un pare-étincelles, comme le définit la Section 4442, maintenu en bon état de marche. D'autres États ou juridictions fédérales peuvent avoir des lois similaires; consulter le Règlement fédéral 36 CFR, section 261.52. Communiquez avec le fabricant, le détaillant ou le revendeur d'origine de l'équipement pour obtenir un pare-étincelles conçu pour le système d'échappement installé sur ce moteur.

Enlever tous débris de la section du silencieux et de la section du cylindre. Recherchez la présence de fissures, de corrosion ou d'autres dommages sur le silencieux. Déposer le déflecteur ou pare-flammes de retour (le cas échéant) et s'assurer qu'il n'y a pas de blocage de dépôts de carbone. Si des dommages sont découverts, installer les pièces de remplacement avant d'utiliser l'équipement.

Changement de l'huile à moteur



AVERTISSEMENT

Le carburant et ses vapeurs sont inflammables et explosifs. Un incendie ou une explosion pourrait causer des brûlures graves voire la mort.

Lors de la mise en marche, le moteur et le silencieux deviennent chauds. Si vous touchez un moteur chaud, des brûlures thermiques peuvent survenir.

- Si la vidange de l'huile est faite par le tube de remplissage du haut, le réservoir de carburant doit être vide. Si le réservoir n'est pas vide, une fuite de carburant peut se produire et provoquer un incendie ou une explosion.
- Avant de toucher le moteur ou le silencieux, arrêter le moteur et attendre deux (2) minutes. S'assurer que le moteur et le silencieux peuvent être touchés sans risque.

L'huile vidangée est un produit de résidus dangereux et doit être jetée de la bonne façon. Ne pas la jeter avec les déchets ménagers. Communiquer avec les autorités locales, les centres de services ou le concessionnaire pour connaître les méthodes d'élimination sûres ou les installations de recyclage.

Vidange d'huile

1. Pendant que le moteur est ARRÊTÉ mais encore chaud, débrancher le(s) câble(s) de la ou des bougies (D, Figure 11) et le(s) tenir à l'écart de la ou des bougies (E).
2. Retirer le bouchon-jauge (A, Figure 12).
3. Déposer le bouchon de vidange d'huile (F, Figure 13). Vidanger l'huile dans un récipient approuvé.
4. Installer et serrer le bouchon de vidange d'huile (F, Figure 13).

Changer le filtre à huile

1. Vidanger l'huile du moteur. Consulter la section **Vidanger l'huile**.
2. Retirer le filtre à huile (H, figure 14) et le jeter de façon appropriée.
3. Avant d'installer le nouveau filtre à huile, lubrifier légèrement le joint d'étanchéité du filtre à l'huile avec de l'huile propre.
4. Installer le filtre à huile à la main jusqu'à ce que le joint d'étanchéité touche l'adaptateur de filtre à huile, puis serrer le filtre à huile de 1/2 à 3/4 de tour.
5. Ajouter de l'huile. Consulter la section **Ajouter de l'huile**.
6. Démarrer et faire fonctionner le moteur. Vérifier s'il y a des fuites d'huile lorsque le moteur est chaud.
7. Arrêter le moteur. Confirmer que le niveau d'huile est au-dessus de la marque du haut de la jauge. Consulter la section **Ajouter de l'huile**.

Ajouter de l'huile

- S'assurer que le moteur est de niveau.
- Débarrasser de tout débris la zone de remplissage d'huile.
- Consulter la section **Spécifications** pour le volume maximal d'huile.

1. Retirer le bouchon-jauge (A, Figure 12). Essuyer l'huile avec un chiffon propre.
2. Ajouter l'huile lentement dans le tube de remplissage (C, Figure 12). **Ne pas trop remplir**. Attendre une minute, puis vérifier le niveau d'huile.

3. Replacer et serrer le bouchon-jauge (A, figure 12).
4. Sortir la jauge et vérifier le niveau d'huile. Le niveau d'huile adéquat est au-dessus de la marque du haut de la jauge (B, Figure 12).
5. Replacer et serrer le bouchon-jauge (A, figure 12).
6. Rebrancher le(s) câble(s) de la bougie (D, Figure 11) sur la/les bougie(s) (E).

Entretien du filtre à air



AVERTISSEMENT

Les vapeurs de carburant sont inflammables et explosifs. Un incendie ou une explosion pourrait causer des brûlures graves voire la mort.

- Ne jamais démarrer et faire fonctionner le moteur lorsque l'assemblage de filtre à air (le cas échéant) ou le filtre à air (le cas échéant) est retiré.

AVIS

Ne pas utiliser d'air comprimé ni de solvant pour nettoyer le filtre. L'air sous pression pourrait endommager le filtre et les solvants peuvent dissoudre le filtre.

Pour les exigences de service, voir le **Calendrier d'entretien**.

Différents modèles utiliseront un filtre en mousse ou en papier. Certains modèles pourraient également avoir un pré-filtre optionnel qui peut être nettoyé et réutilisé. Comparer les illustrations du présent manuel avec le type installé sur votre moteur et faire la maintenance correspondante.

Filtre à air cyclonique avec filtre de sécurité

1. Ouvrir la ou les attache(s) (A, Figure 15) et retirer le couvercle (B).
2. Retirer le filtre à air (C, Figure 15).
3. Pour libérer les débris, tapoter doucement le filtre à air sur une surface dure. Si le filtre à air est sale, le remplacer par un nouveau filtre.
4. Pour retirer le filtre de sécurité (D, Figure 15), si installé, le tirer doucement du corps du filtre à air (E). S'assurer qu'aucun débris ou qu'aucune saleté ne pénètrent dans le moteur.
5. Installer le nouveau filtre de sécurité (D, Figure 15) dans le corps du filtre à air (E).
6. Installer le filtre à air (C, Figure 15) au-dessus du filtre de sécurité (D).
7. Installer le couvercle (B, Figure 15) et refermer les attaches (A).

Filtre à air à profil bas

1. Retirer les attaches (A, Figure 16).
2. Enlever le couvercle (B, figure 16).
3. Retirer les attaches (C, Figure 16), et l'élément de retenue (D).
4. Retirer le filtre à air (E, Figure 16).
5. Retirer le pré-filtre (F, Figure 16), le cas échéant, du filtre à air (E).
6. Pour libérer les matières indésirables, tapoter doucement le filtre à air (E, Figure 16) sur une surface dure. Si le filtre à air est sale, le remplacer par un nouveau filtre à air.
7. Laver le pré-filtre (F, Figure 16), le cas échéant, avec un détergent liquide et de l'eau. Vous assurer que le préfiltre est complètement sec. **Ne pas** lubrifier le pré-filtre.
8. Assembler le pré-filtre sec (F, Figure 16), le cas échéant, au filtre à air (E).
9. Installer le filtre à air (E, Figure 16) à l'aide de la pièce de retenue (D) et de la ou des attache(s) (C).
10. Installer le couvercle (B, Figure 16) à l'aide de la ou des attache(s) (A). S'assurer que les attaches sont vissées solidement.

Entretien du système de refroidissement



AVERTISSEMENT

Lors de la mise en marche, le moteur et le silencieux deviennent chauds. Si vous touchez un moteur chaud, des brûlures thermiques peuvent survenir.

Les débris inflammables tels que les feuilles, le gazon et les broussailles, peuvent s'enflammer.

- Avant de toucher le moteur ou le silencieux, arrêter le moteur et attendre deux (2) minutes. S'assurer que le moteur et le silencieux peuvent être touchés sans risque.
- Enlever les débris se trouvant à proximité du silencieux et du moteur.

AVIS

Ne pas nettoyer le moteur sous eau. L'eau pourrait contaminer le système de carburant. Servez-vous d'une brosse ou d'un chiffon sec.

Ce moteur est refroidi à l'air. La saleté ou les débris peuvent empêcher la circulation d'air et causer la surchauffe du moteur, entraînant un rendement insatisfaisant et une fin de vie précoce.

- Dégager les débris de la prise d'air à l'aide d'une brosse ou d'un chiffon sec (A, Figure 17).
- S'assurer que la tringlerie, les ressorts et les commandes (B, Figure 17, 18) sont toujours propres.
- S'assurer que la zone autour et derrière le silencieux (C, Figure 17, 18) est exempte de toute substance inflammable.
- S'assurer que les ailettes du refroidisseur à huile (D, Figure 17) sont exemptes de saleté et de débris.
- Desserrer les attaches (E, Figure 17, 18) et retirer les panneaux (F) pour accéder aux débris. Enlever le gazon et les débris accumulés sur les cylindres.
- Installer les panneaux d'accès aux débris (F, Figure 17, 18) et fixer les attaches (E).

Après une certaine période, les débris peuvent s'accumuler dans les ailettes de refroidissement du cylindre et causer la surchauffe du moteur. Les débris ne peuvent être enlevés sans un désassemblage partiel du moteur. Faire inspecter et nettoyer le système de refroidissement par un détaillant autorisé de service de Briggs & Stratton tel que recommandé dans le *Calendrier d'entretien*.

Entretien du système de carburant

AVERTISSEMENT



Le carburant et ses vapeurs sont inflammables et explosives. Un incendie ou une explosion pourrait causer des brûlures graves voire la mort.

- Garder le carburant loin des étincelles, des flammes nues, des veilleuses, de la chaleur et des autres sources d'inflammation.
- Examiner régulièrement les conduites de carburant, le réservoir de carburant, le bouchon de carburant et les raccords pour détecter toute fissure ou fuite. Remplacer les pièces endommagées.
- Si le carburant se renverse, attendre jusqu'à ce qu'il sèche avant de démarrer le moteur.

Filtre de carburant, si installé

- Avant de remplacer le filtre à carburant (A, Figure 19), vidanger le réservoir de carburant ou fermer le robinet d'arrêt de carburant. Si le réservoir de carburant n'est pas vidangé, une fuite de carburant peut survenir et causer un incendie ou une explosion.
- Presser les languettes (B, Figure 19) sur les brides (C) avec des pinces. Glisser les brides en retrait du filtre à carburant (A).
- Tourner et retirer les conduites de carburant (D, Figure 19) du filtre à carburant.
- Examiner les conduites de carburant (D, Figure 19) pour toute présence de fissures ou fuites. Si nécessaire, remplacer les conduites de carburant.
- Changer le filtre à carburant (A, Figure 19).
- Fixer les conduites de carburant (D, Figure 19) avec des brides (C).

Entreposage

Système de carburant

Voir la figure : 20.

AVERTISSEMENT



Le carburant et ses vapeurs sont inflammables et explosives. Un incendie ou une explosion pourrait causer des brûlures graves voire la mort.

Entreposage de carburant

- Puisque les veilleuses et autres sources d'allumage peuvent causer des explosions, garder le carburant ou l'équipement loin des fournaies, des poêles, des chauffe-eaux ou autres appareils ayant des veilleuses.

Maintenir le moteur au niveau à la bonne position de fonctionnement. Remplir le réservoir de carburant (A, Figure 20) avec du carburant. Pour prendre en compte l'expansion du carburant, ne pas remplir le réservoir de carburant au-dessus de la base du col (B).

Le carburant peut se dégrader lorsqu'il est conservé dans un contenant plus de 30 jours. L'utilisation d'un stabilisateur de carburant sans alcool et d'un traitement à base d'éthanol dans le contenant d'entreposage est recommandée. Ceci maintient la fraîcheur du carburant et réduit les problèmes liés au carburant ou à la contamination dans le système de carburant.

Lors du remplissage du contenant avec le carburant, ajouter un stabilisateur de carburant sans alcool, tel que spécifié dans les instructions du fabricant. Si l'essence dans le moteur n'a pas été traitée avec un stabilisateur de carburant, elle doit être vidangée dans un contenant approuvé. Faire fonctionner le moteur jusqu'à ce que tout le carburant soit utilisé.

REMARQUE : NE PAS faire fonctionner le moteur doté d'un système d'injection électronique sans carburant. La pompe de carburant peut subir des dommages. S'assurer d'ajouter la bonne quantité de stabilisateur de carburant au réservoir de carburant et faire fonctionner le moteur pendant 30 minutes.

Huile à moteur

Pendant que le moteur est encore chaud, remplacer l'huile. Consulter la section **Changer l'huile moteur**.

Dépannage

Aide

Pour obtenir de l'aide, communiquer avec un détaillant local ou visiter **BRIGGSandSTRATTON.COM** ou composer **1-800-444-7774** (aux USA).

Spécifications

Spécifications et pièces de remplacement

Modèles: 610000, 61A000, 61E000, 61G200, 61G300	
Cylindrée	60.60 po ³ (993 cc)
Alésage	3.366 po (85,5 mm)
Course	3.406 po (86,5 mm)
Volume d'huile	78 - 80 oz (2,3 - 2,4 l)
Écartement des électrodes de bougie	.030 po (.76 mm)
Couple de serrage de bougie	180 lb-po (20 Nm)
Entrefer armature/carcasse	.005 - .008 po (.13 - .20 mm)
Jeu de soupape d'admission	.004 - .006 po (.10 - .15 mm)
Jeu de soupape d'échappement	.007 - .009 po (.18 - .23 mm)

Pièces de rechange – Modèles: 610000, 61A000, 61E000, 61G200, 61G300	
Pièce de rechange	Numéro de pièce
Filtre à air à effet cyclone (Figure 13)	841497
Filtre de sécurité à effet cyclone (Figure 13)	821136
Filtre à air à profil bas (Figure 14)	692519
Préfiltre à profil bas (Figure 14)	692520
Huile-- SAE 30	100028
Filtre à huile	842921
Filtre à carburant	84001895
Bougie à résistance	491055S
Bougie platine à grande longévité	5066K
Clé pour bougie d'allumage	19576S
Vérificateur d'allumage	84003327

La puissance du moteur sera réduite de 3,5 % pour chaque 1 000 pieds (300 mètres) au-dessus du niveau de la mer, et de 1 % pour chaque 10 °F (5,6 °C) au-dessus de 77 °F (25 °C). Le moteur fonctionnera normalement jusqu'à 25° d'inclinaison. Consulter le manuel d'utilisation de l'équipement pour connaître les limites d'utilisation sécuritaire sur les pentes.

Puissance nominale

Les valeurs brutes de puissance nominale de chaque modèle de moteur à essence sont indiquées conformément au code J1940 Procédure d'évaluation de la puissance et du couple nominaux des petits moteurs de la SAE (Society of Automotive Engineers) et sont évaluées conformément à SAE J1995. Les valeurs de couple sont dérivées à 2 600 tr/min pour les moteurs avec « tr/min » sur l'étiquette et 3 060 tr/min pour tous les autres; les valeurs de puissance sont dérivées à 3 600 tr/min. Les courbes de puissance brute peuvent être consultées au www.BRIGGSandSTRATTON.COM. Les valeurs nettes de puissance sont prises alors que l'échappement et le filtre à air sont installés alors que les valeurs brutes de puissance sont mesurées sans ces accessoires. La puissance brute réelle du moteur sera supérieure à la puissance nette du moteur et sera affectée, entre autres, par les conditions de fonctionnement ambiantes ainsi que par

les différences entre moteurs. Étant donné la vaste gamme de produits sur lesquels les moteurs sont installés, le moteur à carburant peut ne pas développer la puissance nominale brute lorsqu'il est utilisé pour entraîner une pièce d'appareil donnée. Cette différence est causée par différents facteurs dont, mais sans s'y limiter, la variété des composants du moteur (filtre à air, échappement, chargement, refroidissement, carburateur, pompe à carburant, etc.), les limites de l'appareil, les conditions de fonctionnement ambiantes (température, humidité, altitude) et les différences entre les moteurs. En raison des limites de fabrication et de capacité, Briggs & Stratton peut substituer à ce moteur, un moteur d'une valeur de puissance plus élevée.

Garantie

Garantie sur les moteurs Briggs & Stratton®

En vigueur à compter mars 2023

Garantie limitée

Briggs & Stratton garantit que, sans frais, pendant la période de couverture de la garantie précisée ci-dessous, elle réparera ou remplacera par une pièce nouvelle, remise à neuf ou reconstruite, et ce, à sa seule discrétion, toute pièce défectueuse comportant un vice de matériau ou un défaut de fabrication ou les deux. En vertu de la présente garantie, les frais de transport du produit soumis pour réparation ou remplacement sont à la charge de l'acheteur. La présente garantie sera en vigueur et soumise aux périodes et conditions stipulées ci-dessous. Pour obtenir des services en vertu de la garantie, veuillez consulter notre outil de recherche d'un détaillant sur BRIGGSandSTRATTON.COM, afin de trouver un détaillant autorisé de service dans votre région. L'acheteur doit communiquer avec le détaillant autorisé de service et mettre ensuite le produit à disposition du détaillant autorisé de service pour inspection et essai.

Il n'existe aucune autre garantie expresse. Les garanties implicites, incluant celles de qualité marchande et d'adaptation à un usage particulier, sont limitées à une période d'un an à partir de la date d'achat ou jusqu'à la limite permise par la loi. Toute garantie implicite est exclue. La responsabilité pour dommages accessoires ou indirects est exclue dans la mesure où une telle exclusion est permise par la loi. Certains états/provinces ou pays n'autorisent aucune restriction sur la durée d'une garantie implicite, et certains états/provinces ou pays n'autorisent pas l'exclusion ou la limitation des dommages consécutifs ou indirects. Par conséquent, les restrictions et exclusions décrites ci-dessus pourraient ne pas s'appliquer dans votre cas. La présente garantie vous donne des droits particuliers et vous pourriez également avoir d'autres droits qui varient d'un État, d'une province ou d'un pays à un autre.

Modalités standards de la garantie ^{1, 2}
Vanguard®, Série CXi
Usage des consommateurs – 36 mois
Usage commercial – 36 mois
Série XR
Usage des consommateurs – 24 mois
Usage commercial – 24 mois
Tous les autres moteurs comportant une chemise de cylindre en fonte Dura-Bore™
Usage des consommateurs – 24 mois
Usage commercial – 12 mois
Tous les autres moteurs
Usage des consommateurs – 24 mois
Usage commercial – 3 mois

¹Voilà nos modalités de garantie standards, mais de temps à autre, une couverture de garantie supplémentaire non déterminée au moment de cette publication pourrait être offerte. Pour la présentation des modalités actuelles de la garantie pour votre moteur, naviguez à BRIGGSandSTRATTON.COM ou communiquez avec votre détaillant autorisé de service Briggs & Stratton.

²Aucune garantie n'est offerte pour les moteurs utilisés sur un équipement qui remplace le service utilitaire, sur les génératrices de secours utilisées à des fins commerciales, sur les véhicules utilitaires dépassant 25 mi/h ou les moteurs utilisés dans les courses ou dans les camions commerciaux ou de location.

La période de garantie débute à la date d'achat par le premier acheteur au détail ou par le premier utilisateur commercial final, et se prolonge pour la durée stipulée dans le tableau ci-dessus. « Usage des consommateurs » signifie que le produit sera utilisé par un consommateur au détail dans un but privé. « Usage commercial » indique toutes les autres utilisations possibles, y compris commerciales, génératrices de revenus ou locatives. Aux fins de la présente garantie, dès qu'un moteur a été utilisé commercialement une fois, il est par la suite considéré comme étant d'usage à des fins commerciales.

Pour exercer la garantie sur tout produit fabriqué par Briggs & Stratton, il n'est pas nécessaire de l'enregistrer. Veuillez garder le reçu de votre achat. Si vous ne pouvez pas fournir la preuve de la date initiale de l'achat au moment de faire

une demande se rapportant à la garantie, la date de fabrication du produit sera utilisée pour déterminer la période de garantie.

À propos de votre garantie

La présente garantie limitée couvre le matériel ou main-d'œuvre associé au moteur ou un problème de main-d'œuvre seulement, mais non un remplacement ou remboursement de la machine entraînée par le moteur. La présente garantie ne couvre pas l'entretien régulier, les mises au point, réglages ou usure normale. Également, la garantie ne s'appliquera pas si le moteur a été trafiqué ou modifié, ou si son numéro de série a été enlevé ou effacé. La présente garantie ne couvre pas les dommages au moteur ou défauts de performance causés par :

1. L'utilisation de pièces qui ne sont pas Briggs & Stratton
2. Le fonctionnement du moteur sans avoir suffisamment d'huile ou ayant de l'huile contaminée ou de grade inadéquat;
3. L'utilisation de carburant contaminé ou éventé, de l'essence formulée avec de l'éthanol à plus de 10 %, ou l'utilisation de variante de carburant comme le gaz de pétrole liquéfié ou le gaz naturel sur un moteur non conçu et produit à l'origine par Briggs & Stratton pour fonctionner avec de tels carburants;
4. De la saleté introduite dans le moteur pour cause d'entretien inadéquat du filtre à air ou de son remontage incorrect;
5. Frapper un objet avec la lame d'une tondeuse à gazon rotative, ou adaptateur de lame de coupe, turbine ou autre dispositif accouplé au vilebrequin desserré ou mal installé ou courroie trop serrée;
6. Pièces ou ensembles accessoires comme embrayage, boîte de vitesse, commande d'équipement, etc. non fournis par Briggs & Stratton;
7. Surchauffe pour cause d'accumulation d'herbe, saleté et débris ou nids de vermine qui obstruent les ailettes de refroidissement ou l'aire du volant, ou faire fonctionner le moteur sans aération adéquate;
8. Vibration excessive due à une survitesse, un montant de moteur desserré, une lame ou turbine desserrée ou déséquilibrée, ou un mauvais accouplement de composants sur le vilebrequin;
9. Abus d'utilisation, ou manque d'entretien régulier, mauvaise manipulation de transport et d'entreposage ou mauvais montage du moteur.

Les services liés à la garantie sont uniquement disponibles par l'entremise d'un détaillant autorisé de service Briggs & Stratton. Localiser le détaillant autorisé de service le plus près avec notre outil de recherche d'un détaillant sur le site BRIGGSandSTRATTON.COM ou en composant le 1-800-444-7774 (aux États-Unis).

80114782 (révision B)

Garantie sur les émissions d'échappement

Pour plus de détails sur la garantie du système de contrôle des émissions d'échappement, contacter votre détaillant autorisé de service Briggs & Stratton pour démarrer le service de garantie des émissions d'échappement ou vous reporter à la déclaration de garantie du système de contrôle des émissions d'échappement sur le site BRIGGSandSTRATTON.com. Vous pouvez trouver la garantie en tapant « Garantie d'émissions » dans la FAQ ou en appelant le 1 800 444-7774.

WANGUARD®

Not for
Reproduction