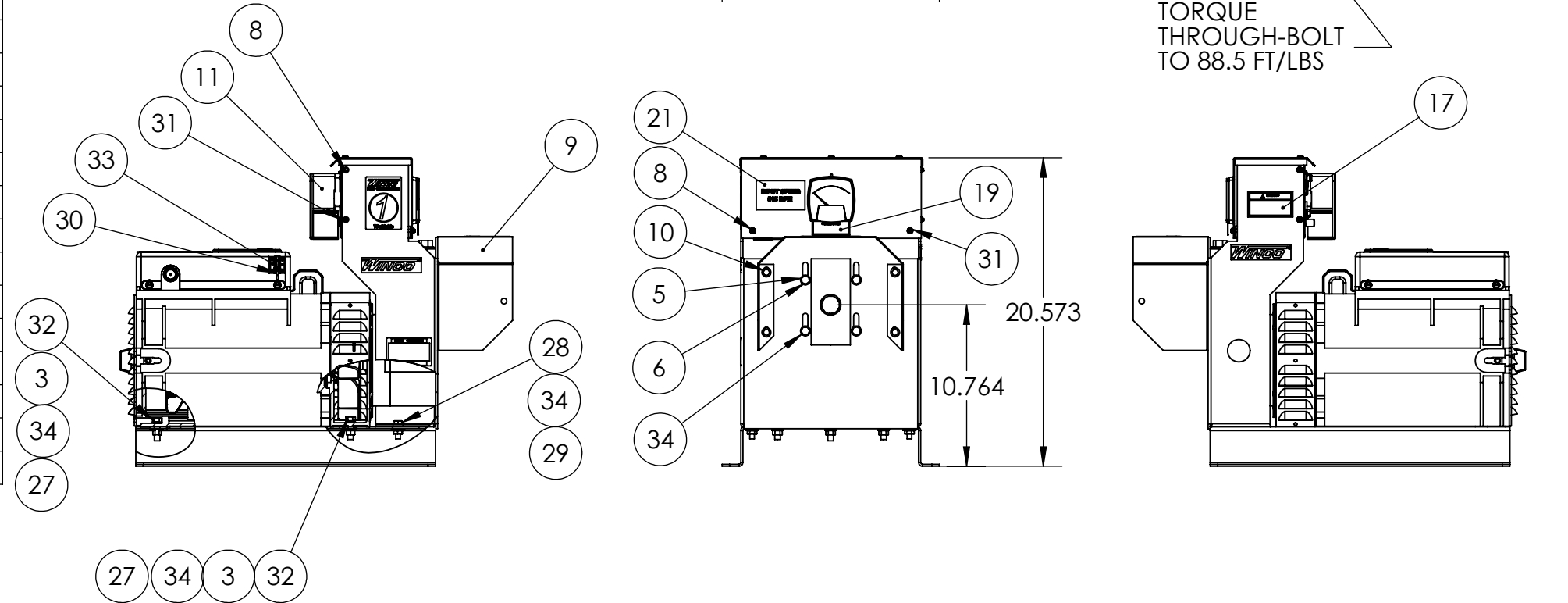
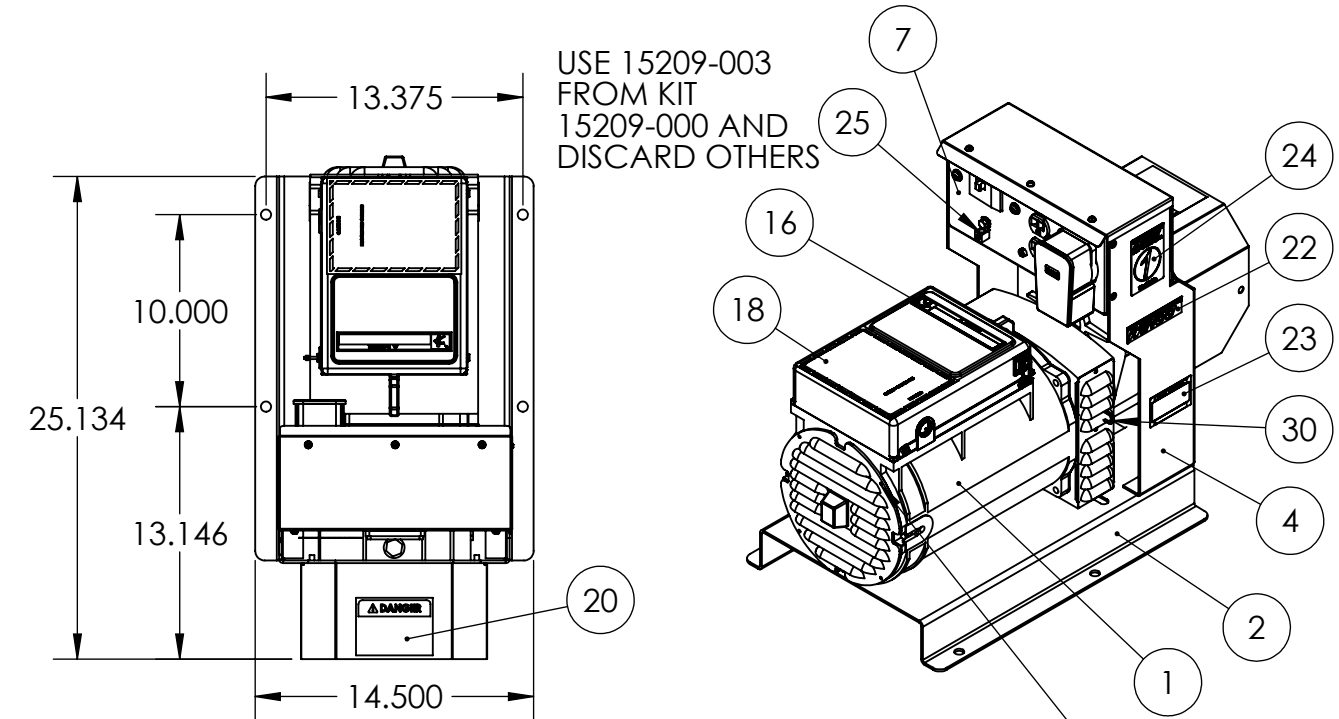


99840-004

REVISIONS					
REV.	IRN	DESCRIPTION	DATE	BY	APP'D
A		ORIGINAL	4/7/2015	PJY	DRC
B	4393	ADDED 96286-002, REMOVED 635, 20604, 21976, 4516, 45633, & (5) 21698-001	10/13/2015	SJM	ZJF
C	5059	ADDED 95810-000, (1) 49975-012, & (2) 21698-001 & 96286-002 AND VIEW FOR CLARITY	4/7/2016	SJM	ZJF

ITEM NO.	PartNo	DESCRIPTION	QTY.
1	99839-001	GEN END, 15KW, PTO W/GEARCASE	1
2	16406-007	FORMED BASE	1
3	481-000	LOCK .375 SPLIT	3
4	99841-003	GEAR CASE SUPPORT	1
5	96002-020	M8-1.25X20MM	4
6	97436-008	LOCKWASHER M8	4
7	300160-8	RECEPTACLE BOX ASSEMBLY	1
8	21698-001	10-16X.372 TORX SCREW BLACK	6
9	300086-2	GUARD, DRIVE SHAFT	1
10	55440-000	.25-02X.5 SELF TAP	4
11	300137	PLUG, NEMA 14-60P, 60A-3P-4W-125/250V	1
12	100047-747	10 X 8 X 6 CARTON	1
13	40965-000	OIL, HD85W-140 GEAR LUBE	0.1875
14	100047-603	31.875 X 24.25 X 24 CARTON	1
15	15209-000	UL-DECAL ELECTRICAL SHOCK CAN KILL	1
16	15209-003	UL-DECAL ELECTRICAL SHOCK CAN KILL	1
17	Z2516	UL-DECAL-WARNING	1
18	Z2553	DECAL-OPERATOR INSTRUCTIONS	1
19	Z9941	DECAL-OIL FILL HOLE	1
20	Z2568	DECAL-DANGER PTO	1
21	91369-003	UL-DECAL-515 RPM	1
22	53113-002	WINCO DECAL	2
23	63966-009	KIT, NAMEPLATE WINCO PTO	1
24	98479-000	WINCO #1 WORLDWIDE DECAL	1
25	15750-001	GROUND DECAL	1
26	60706-241	OPERATORS MANUAL	1
27	16250-000	FLANGE NUT 3/8-16	3
28	1116-000	HHCS .3125-18X1	2
29	16249-000	.3125-18 FLANGE	2
30	49975-012	CABLE TIE 14" BLACK 50# PULL	2
31	96286-002	FLAT WASHER NYLON	6
32	91658-002	HHCS 3/8-16X1.25	3
33	95810-000	CABLE TIE HOLDER	1
34	526-000	WASHER .3125 ID	14



* 15209-003 DECAL PART OF DECAL SET 15209-000

NOTE
 PLACE THE FOLLOWING INTO THE PARTS BOX CARTON:
 *DRIVE SHAFT GUARD 300086-2, ITEM (9)
 *SELF TAPPING SCREWS 55440-000, ITEM (10)
 *14-60 RECEPTACLE PLUG 300137, ITEM (11)
 *OPARATORS MANUAL

 THIS DRAWING CONTAINS PROPRIETARY INFORMATION BELONGING TO WINCO. UNAUTHORIZED USE IS PROHIBITED. ALL DIMESNIONS INCH	DRAWN BY PJY	DATE 4/8/2015	CHK'D BY	DATE	ENG APPR. DRC	DATE 4/9/2015
	TOLERANCE:	+/- 0.0625 DECIMAL +/- 1 DEG ANGULAR		TITLE: COMPLETE ASSEMBLY W15PTO		
	MODEL:	W15PTO		PART: 99840-004		
	WINCO ®					