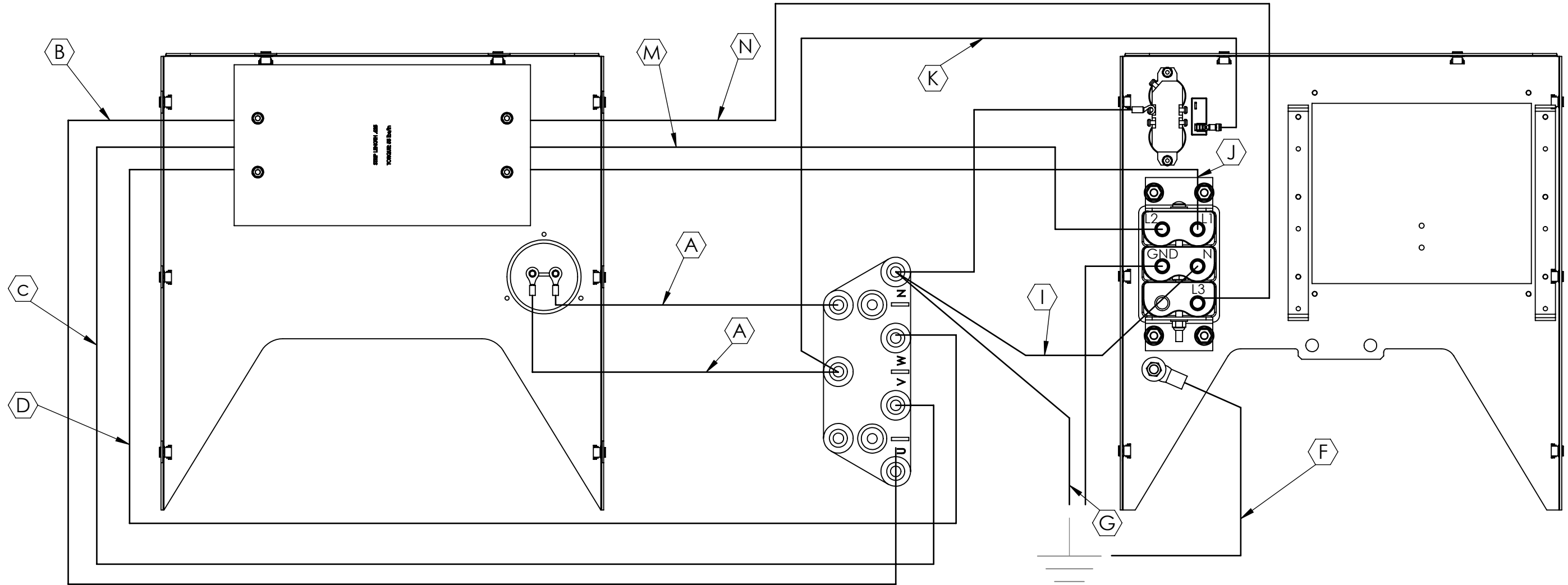


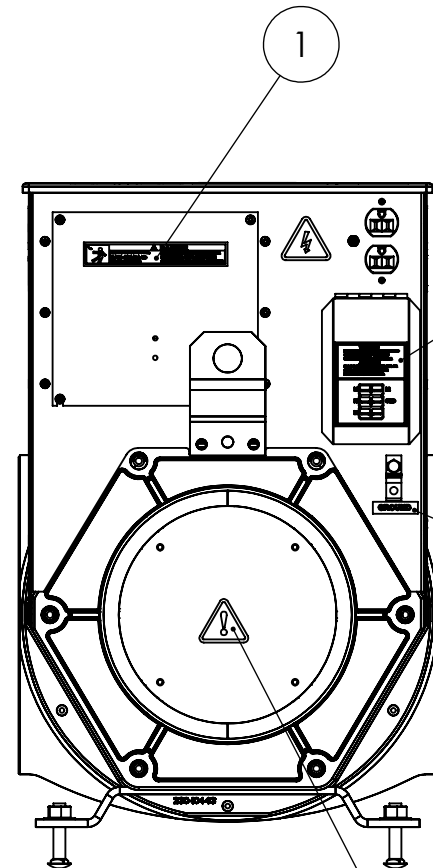
REVISIONS					
REV.	IRN	DESCRIPTION	DATE	BY	APP'D
A	P292	ORIGINAL	8/7/2017	SJM	DRC



NOTE:
 1. WIRE GEN END TO 208V PER WIRING DIAGRAM ON THE GEN END COVER.

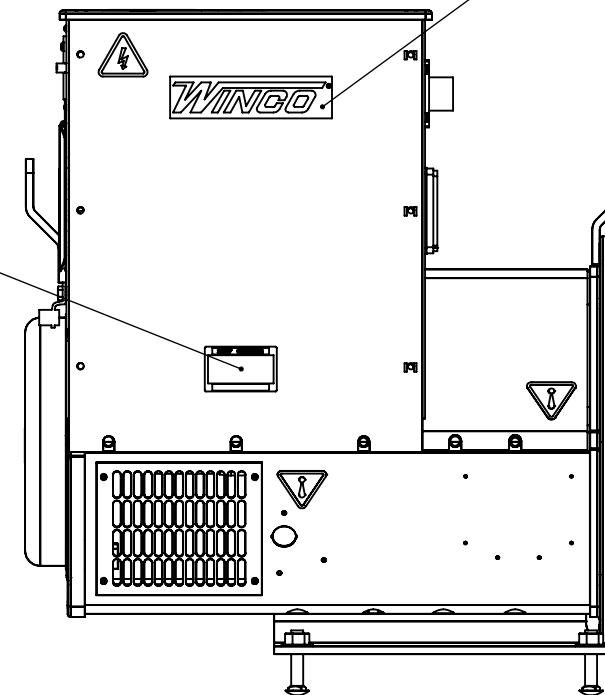
 THIS DRAWING CONTAINS PROPRIETARY INFORMATION BELONGING TO WINCO. UNAUTHORIZED USE IS PROHIBITED.	DRAWN BY	DATE	CHK'D BY	DATE	ENG APPR.	DATE
	SJM	8/7/2017			DRC	9/2/2017
	TOLERANCE:	+/- 0.25" (UNLESS SPECIFIED)		TITLE:		
	WEIGHT:	1073.51	LBS	COMPLETE UNIT ASSEMBLY		
MATERIAL:	SEE TABLE		PART: 64868-016			2 of 3
MODEL:	W75PTOS-4/A					

REVISIONS					
REV.	IRN	DESCRIPTION	DATE	BY	APP'D
A	P292	ORIGINAL	8/7/2017	SJM	DRC



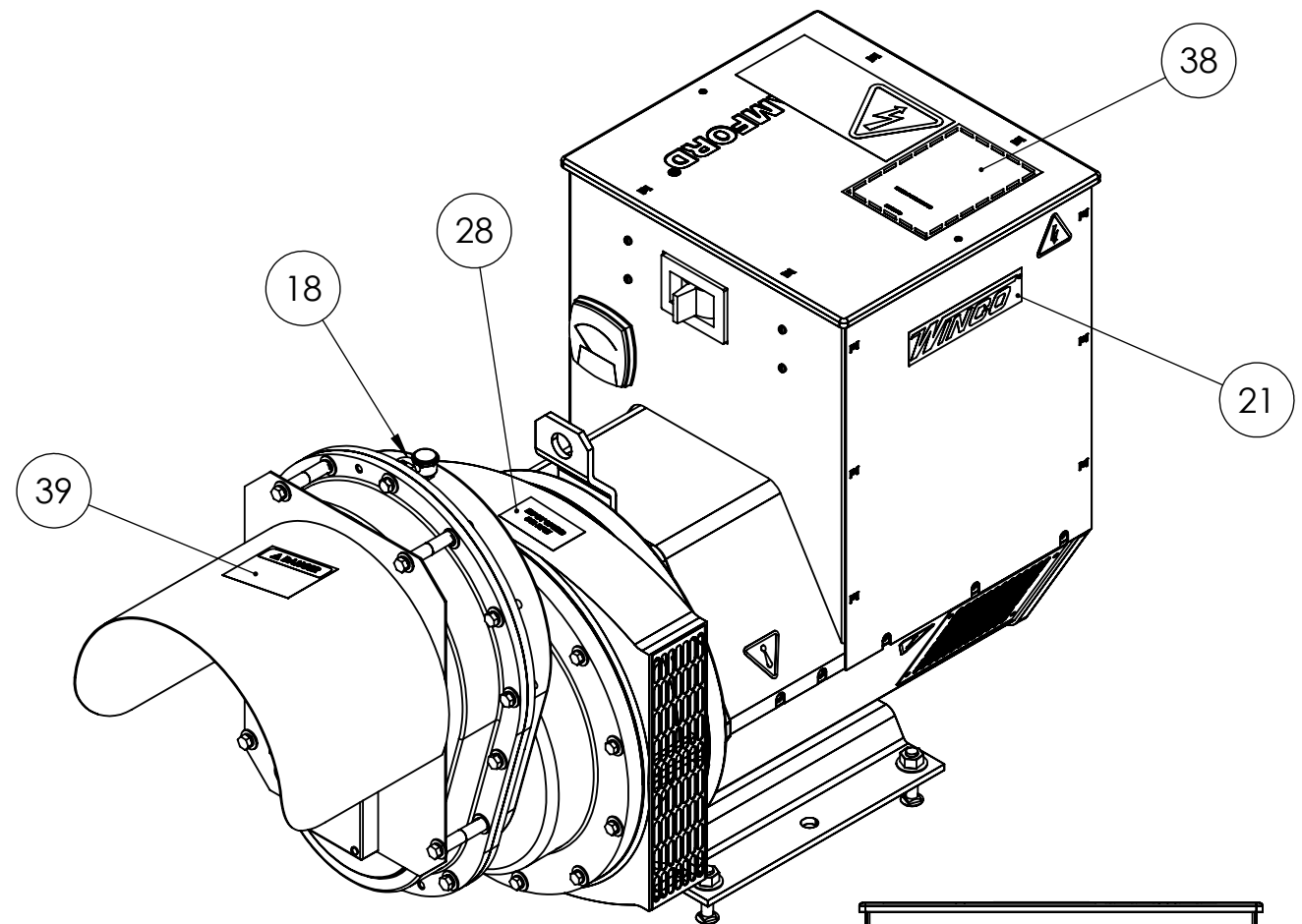
37

2



21

26



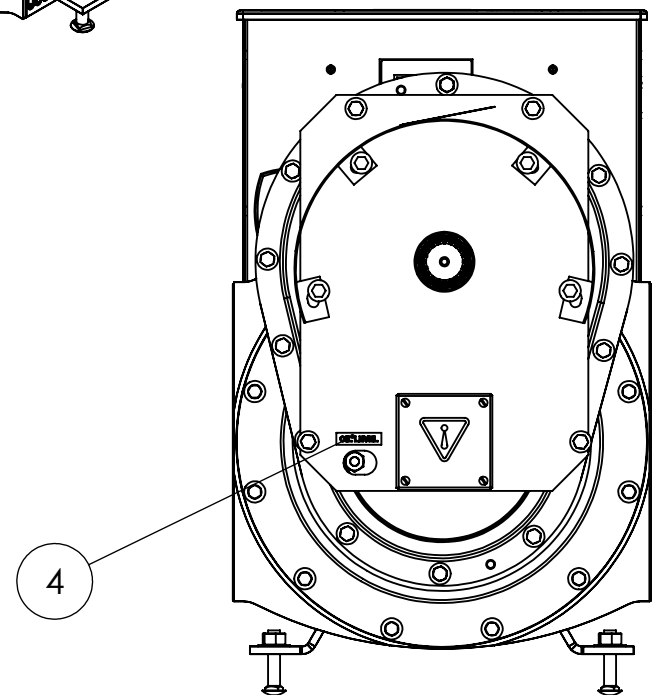
18

28

38

21

39



4

APPLY DECAL SET THAT IS INCLUDED WITH GENERATOR AS INSTRUCTED ON BACK SIDE OF DECALS

 THIS DRAWING CONTAINS PROPRIETARY INFORMATION BELONGING TO WINCO. UNAUTHORIZED USE IS PROHIBITED	DRAWN BY SJM	DATE 8/7/2017	CHK'D BY []	DATE []	ENG APPR. DRC	DATE 9/2/2017
	TOLERANCE: +/- 0.25" (UNLESS SPECIFIED)		WEIGHT: 1073.51 LBS		TITLE: COMPLETE UNIT ASSEMBLY	
	MATERIAL: SEE TABLE		MODEL: W75PTOS-4/A		PART: 64868-016	
			3 of 3		[]	