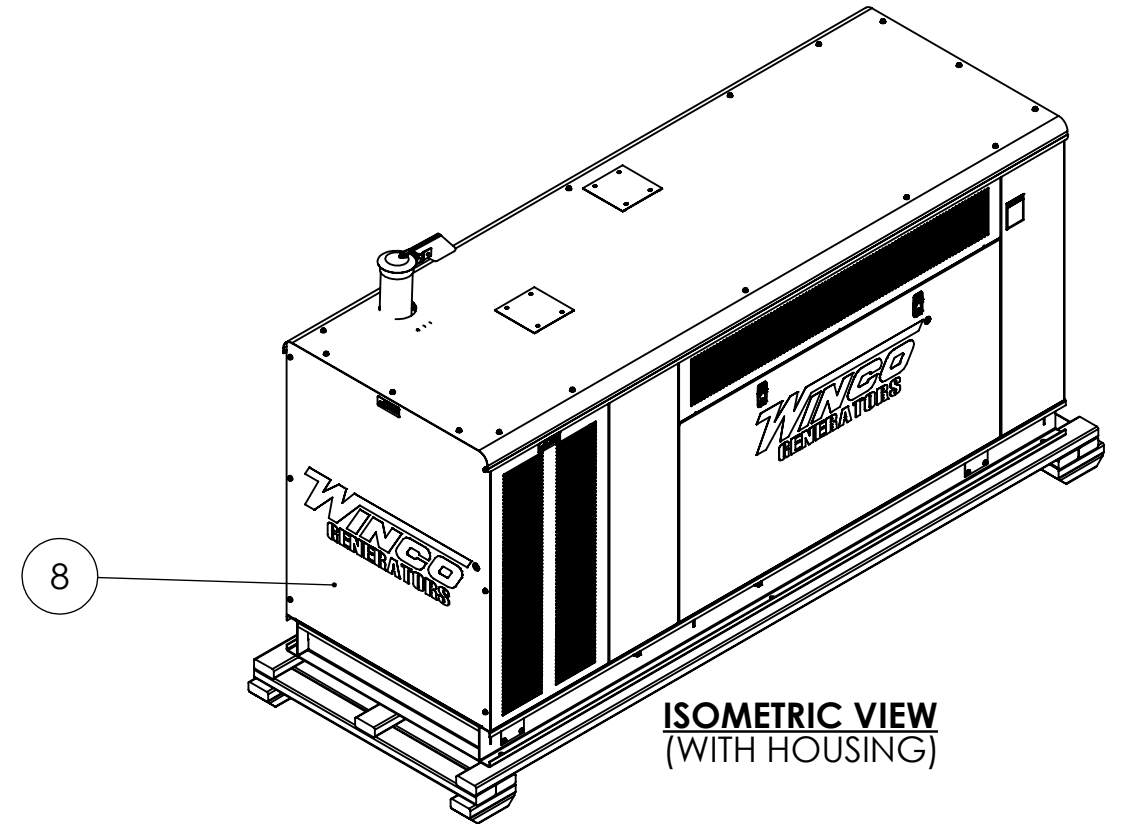


097-3L666

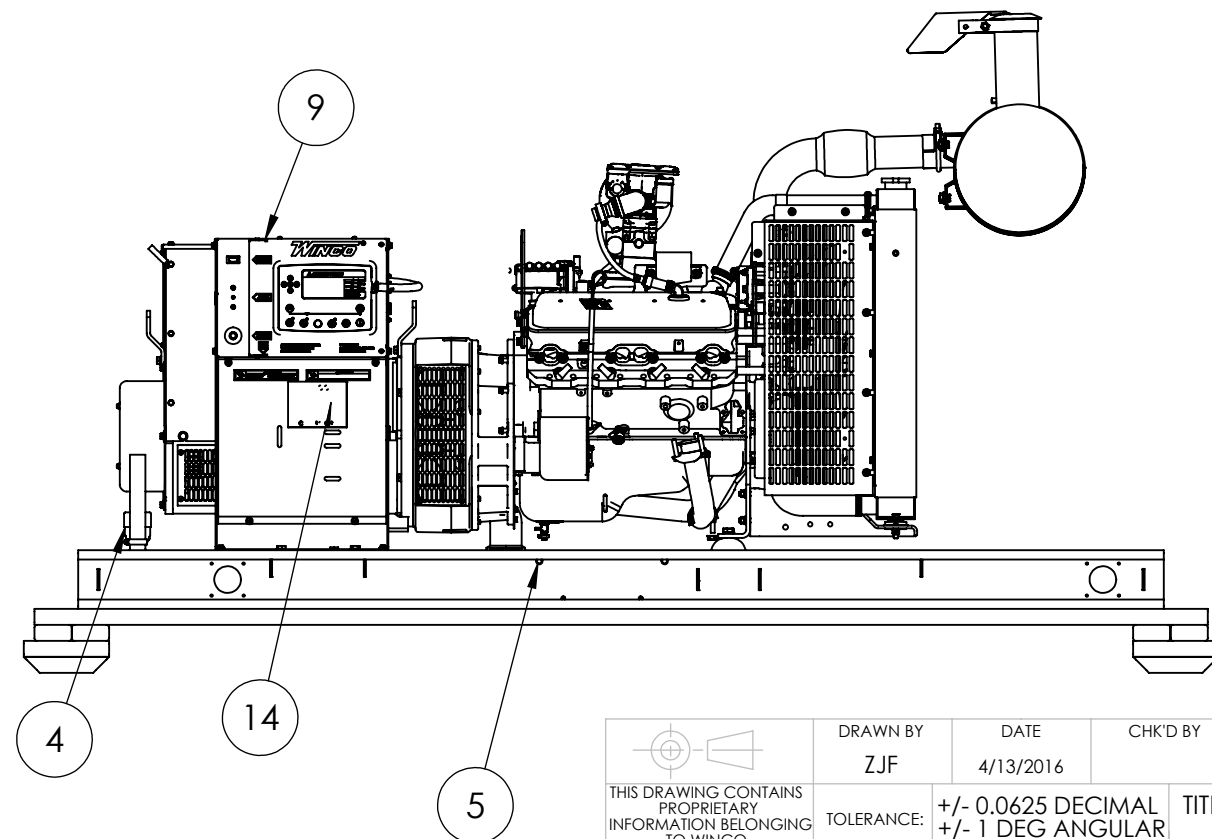
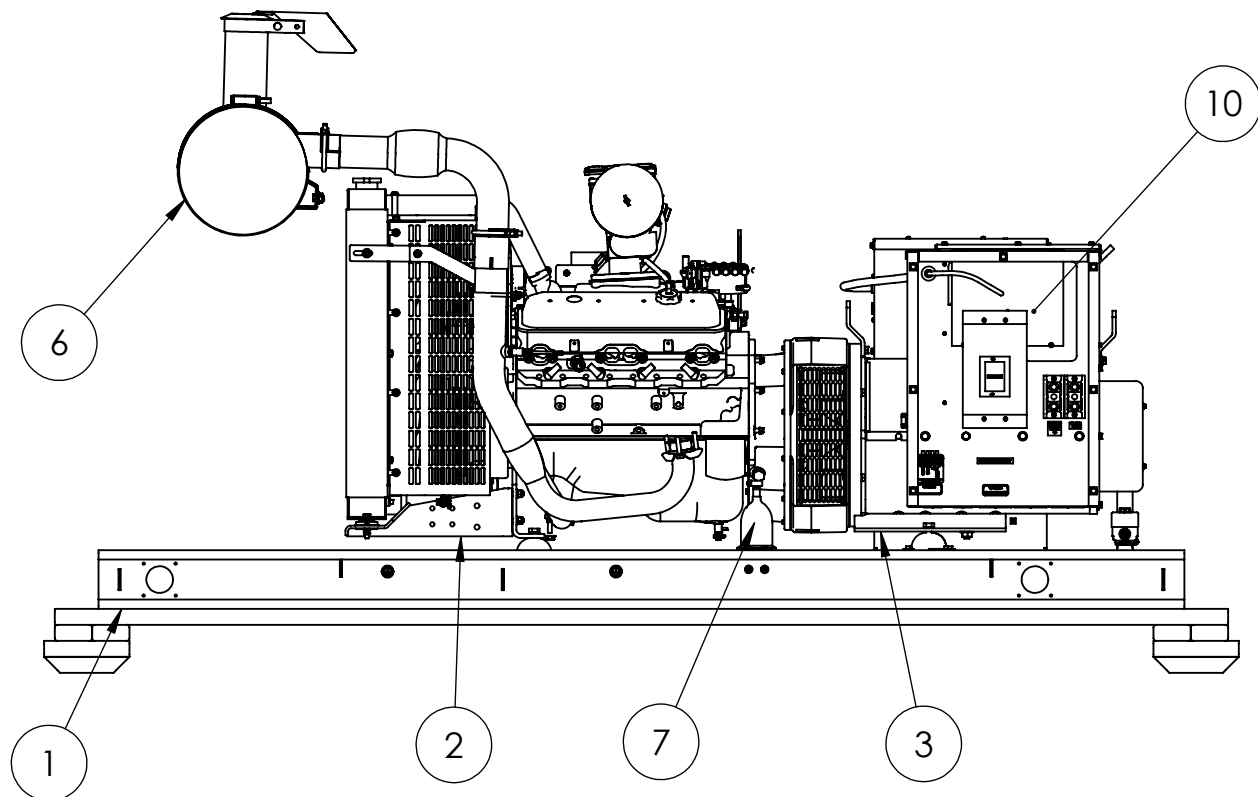
ITEM NO.	PartNo	DESCRIPTION	QTY.
1	99309-062	WELDED BASE ASSEMBLY	1
2	351987-3	ENGINE GM PSI 5.7L NA V-8	1
3	351928-41	GEN END UC1224F1J W GM ADAPTER	1
4	99362-015	FUEL SYSTEM	1
5	99686-003	BATTERY TRAY INSTALL	1
6	99687-018	EXHAUST ASSEMBLY	1
7	99682-016	BLOCK HEATER ASSEMBLY	1
8	99397-063	HOUSING ASSEMBLY	1
9	351903-26	DSE 7310 MKII CONTROL PEDESTAL ASSEMBLY	1
10	99836-175	PSS60 CB & RECONNECT BOX ASSY	1
11	ECU7310-2-250	7310 MKII PSS60 PROGRAM	1
12	300515-2	OIL	5 QTS
13	300515-4	COOLANT CONCENTRATE	2.19 GAL
14	72036-015	CHARGE PRO 12VDC @ 2A	1
15	99489-002	HARDWARE KIT PSS60	1
16	99420-027	DC HARNESS	1
17	53005-017	SKID	1
18	16505-011	NAME PLATE	1
19	16506-004	NAME PLATE OVERLAY	1

DOCUMENTATION LIST	
ITEM	PART NUMBER
MANUAL	OPM-117
OUTLINE DRAWING	O-517
INSTRUCTION SHEET	NONE
ELECTRICAL SCHEMATIC	SEE MANUAL
PARTS LIST	99973-EPL
STEP FILE	NONE

REVISIONS					
REV.	IRN	DESCRIPTION	DATE	BY	APP'D
A	P259	ORIGINAL	9/30/2016	ZJF	ZJF
B		CHANGED 99420-023 TO -027	11/8/2016	ASC	DRC
C		CHANGED 99397-063	2/16/2017	ASC	DRC
D	7225	ADDED SKID	6/9/17	MML	DRC



**ISOMETRIC VIEW
(WITH HOUSING)**



**SIDE VIEWS
(HOUSING REMOVED)**

<p>THIS DRAWING CONTAINS PROPRIETARY INFORMATION BELONGING TO WINCO. UNAUTHORIZED USE IS PROHIBITED.</p> <p>ALL DIMENSIONS INCH</p>	DRAWN BY	DATE	CHK'D BY	DATE	ENG APPR.	DATE
	ZJF	4/13/2016			ZJF	9/30/2016
	TOLERANCE:	+/- 0.0625 DECIMAL		TITLE:		
	MODEL:	+/- 1 DEG ANGULAR		ULPSS60-3/E, DSE7310, 120/240V 1PH		
					PART:	99973-260 1 of 1